



US00D431115S

# United States Patent [19] Napracone

[11] **Patent Number: Des. 431,115**

[45] **Date of Patent: \*\* Sep. 26, 2000**

[54] **PICTURE FRAME**

D. 394,556 5/1998 Ricci ..... D6/300

[75] Inventor: **Noppakhun Napracone**, Bureerum, Thailand

### OTHER PUBLICATIONS

Exposures Winter 1990, p.18, frame B at top.

[73] Assignee: **Twoway Intertrade Co., LTD**, Bangkok, Thailand

*Primary Examiner*—Janice E. Seeger  
*Attorney, Agent, or Firm*—Birch, Stewart, Kolasch, & Birch, LLP

[\*\*] Term: **14 Years**

### [57] CLAIM

[21] Appl. No.: **29/111,219**

The ornamental design for a picture frame, as shown and described.

[22] Filed: **Sep. 24, 1999**

### [30] Foreign Application Priority Data

### DESCRIPTION

Mar. 26, 1999 [TH] Thailand ..... 049631

[51] **LOC (7) Cl.** ..... **06-07**

FIG. 1 is a front, right perspective view of a picture frame showing my new design;

[52] **U.S. Cl.** ..... **D6/310; D6/313**

FIG. 2 is a front elevational view thereof;

[58] **Field of Search** ..... D6/300-314; 40/700, 40/711, 714, 716, 744, 745, 765, 766, 780, 790

FIG. 3 is a rear elevational view thereof;

FIG. 4 is a top plan view thereof;

FIG. 5 a right side elevational view thereof, the left side elevational view being a mirror image thereof; and,

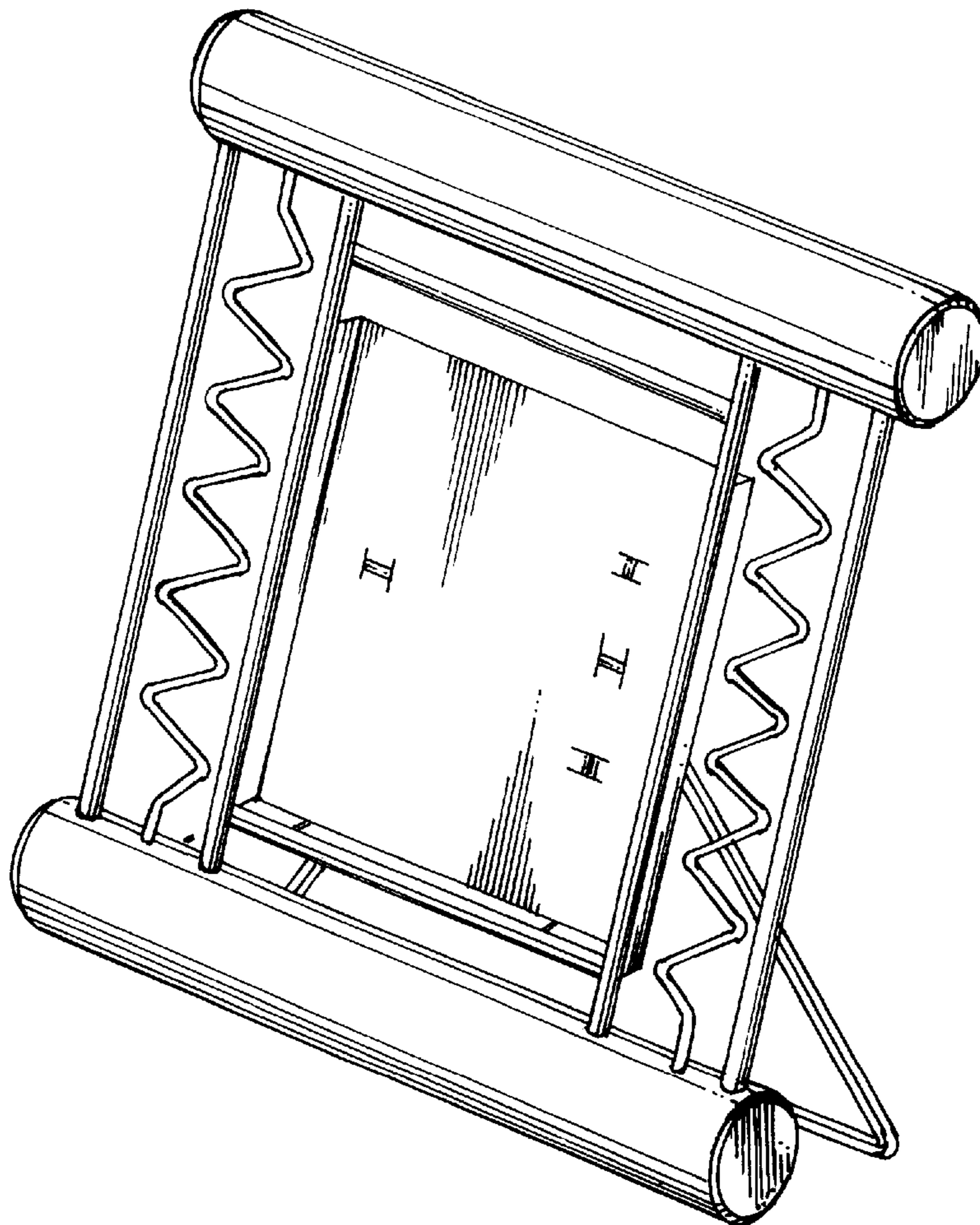
FIG. 6 is a bottom plan view thereof.

### [56] References Cited

#### U.S. PATENT DOCUMENTS

D. 376,913 12/1996 Borden ..... D6/300

**1 Claim, 2 Drawing Sheets**



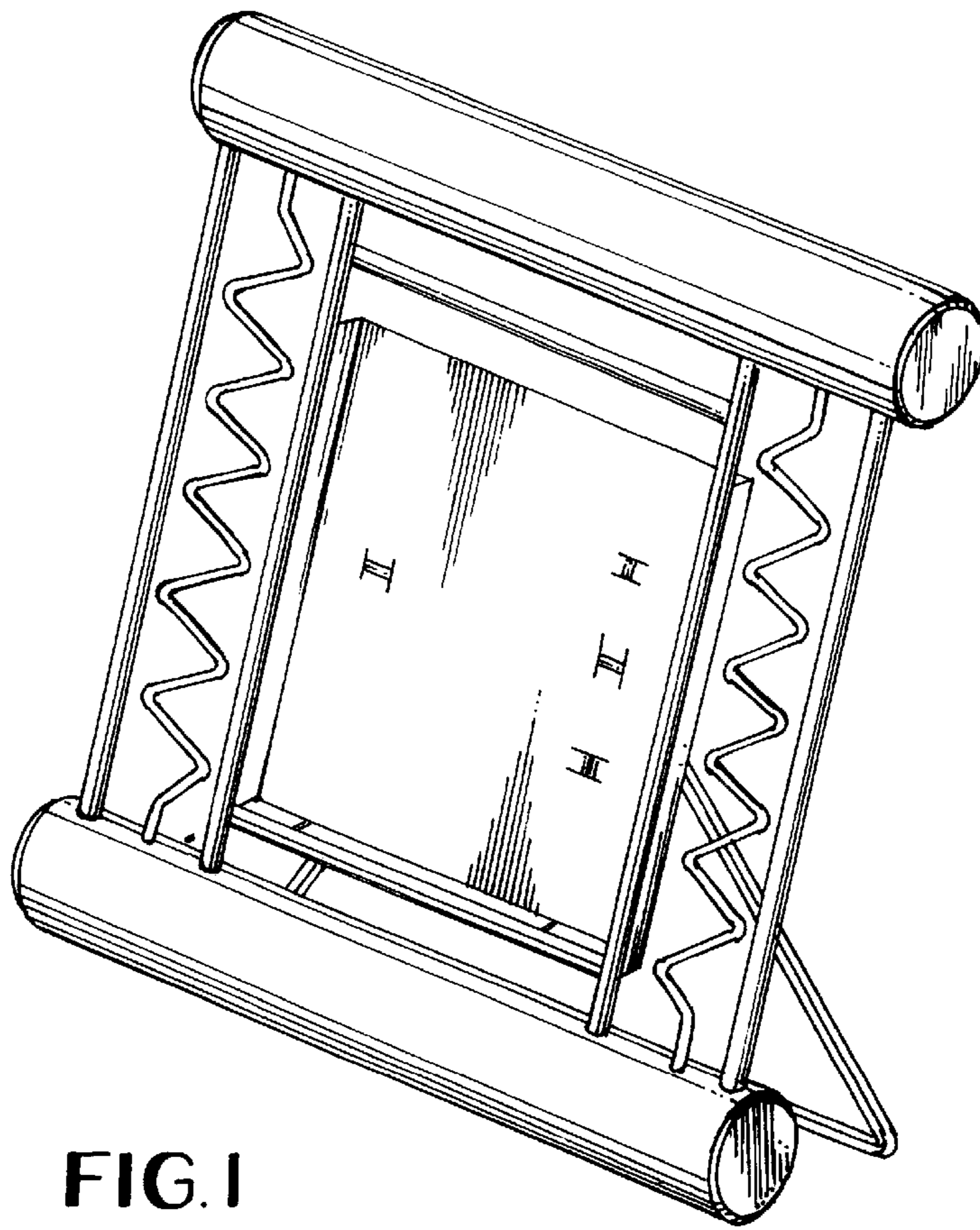


FIG. 1

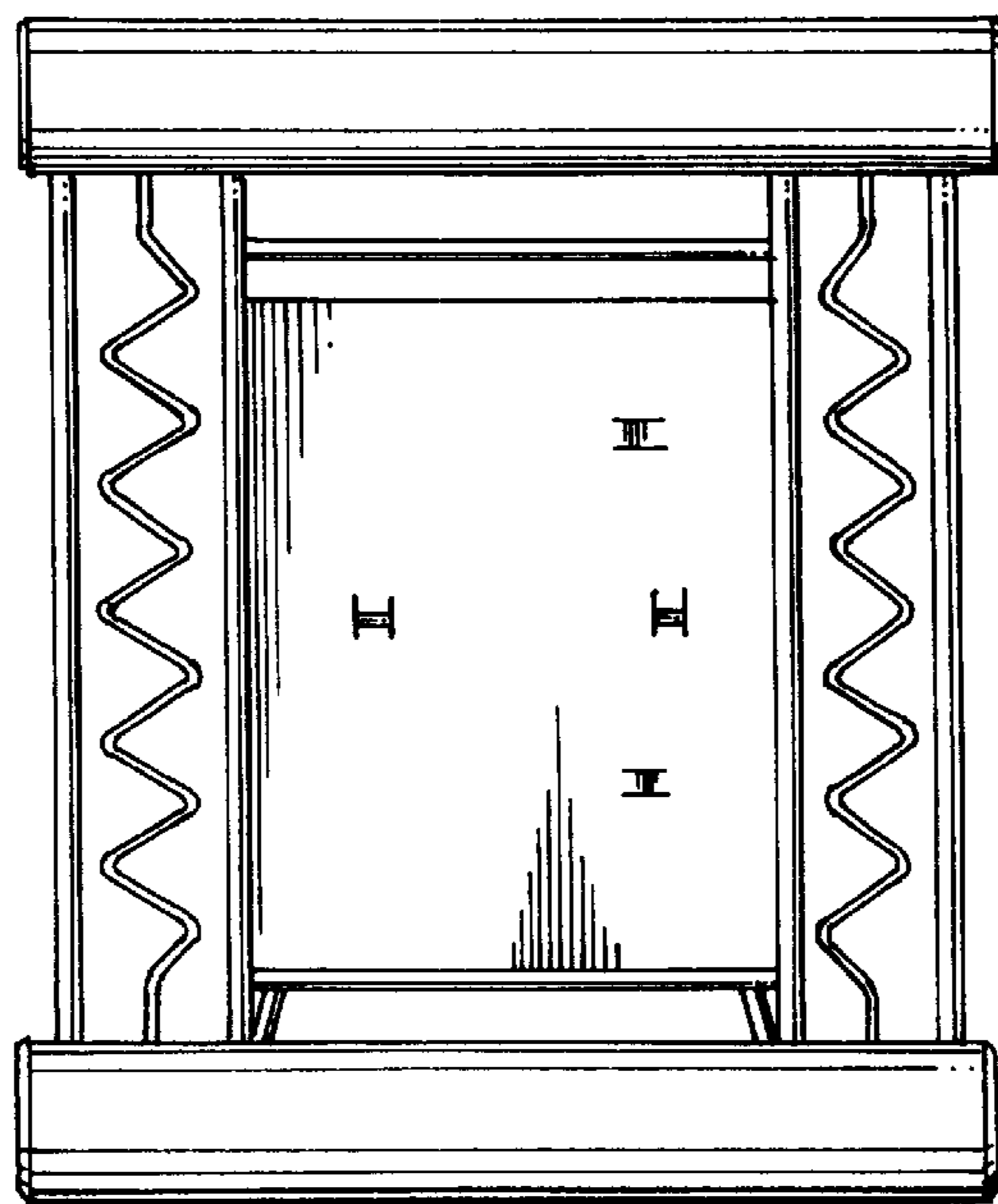


FIG. 2

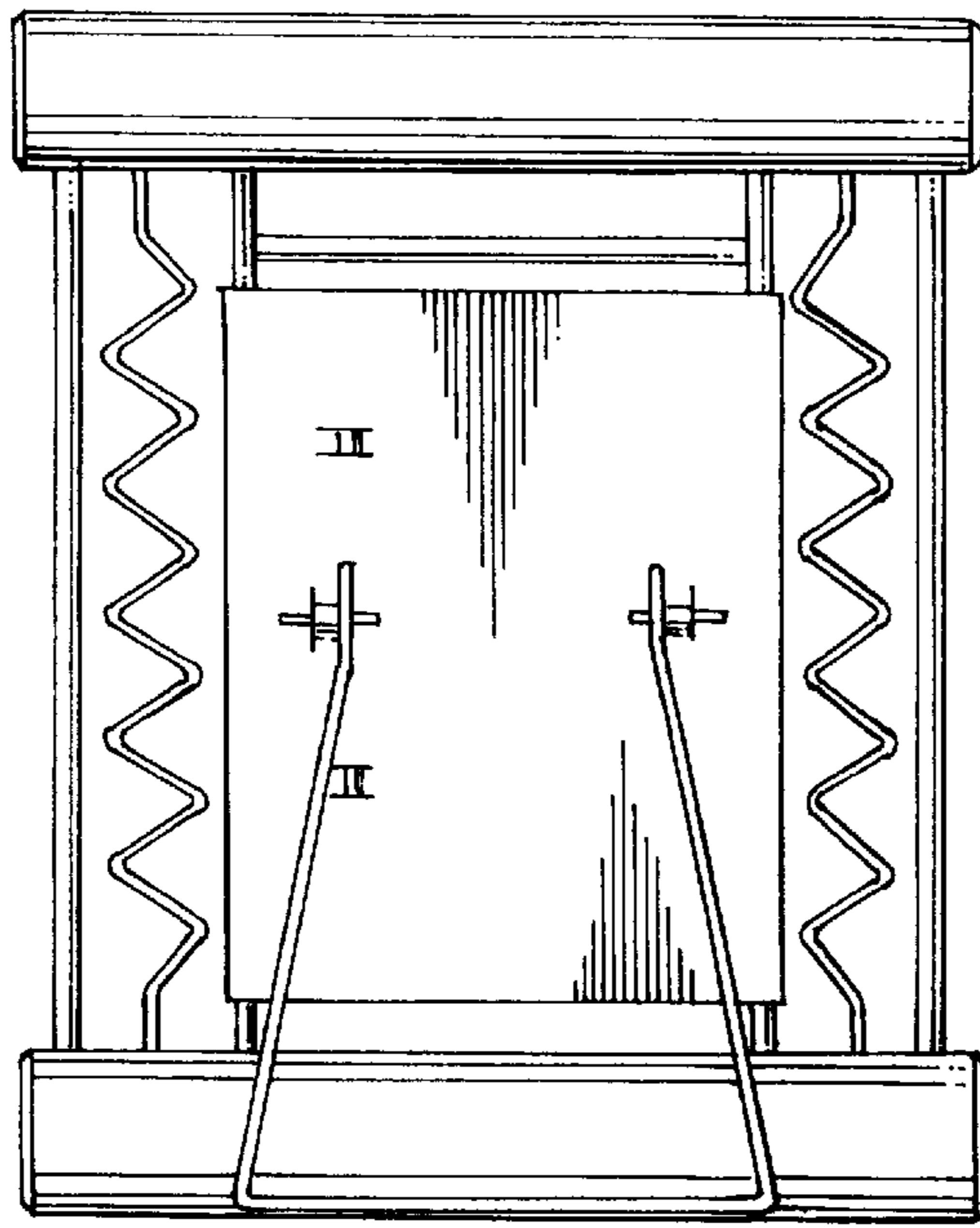


FIG. 3

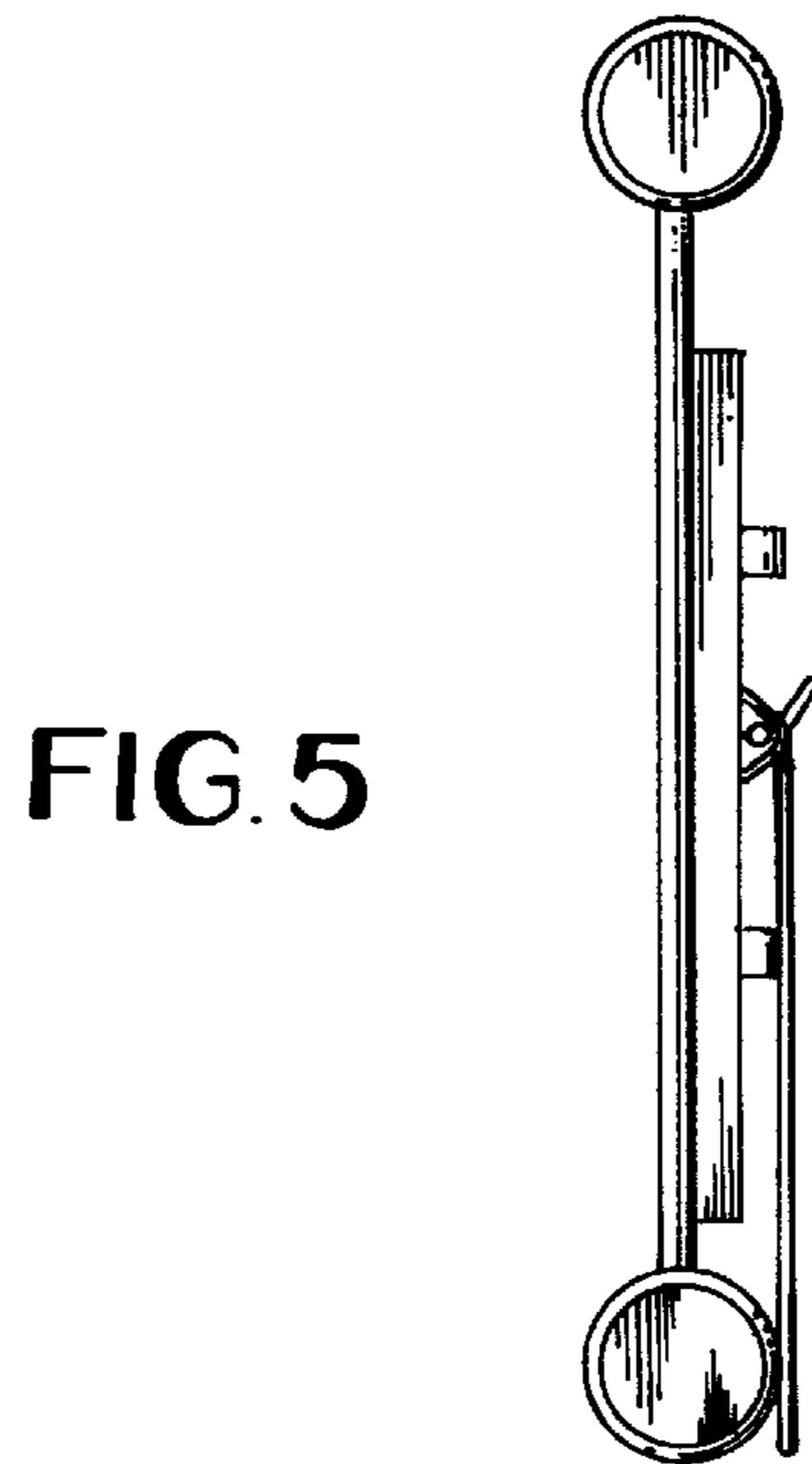


FIG. 5

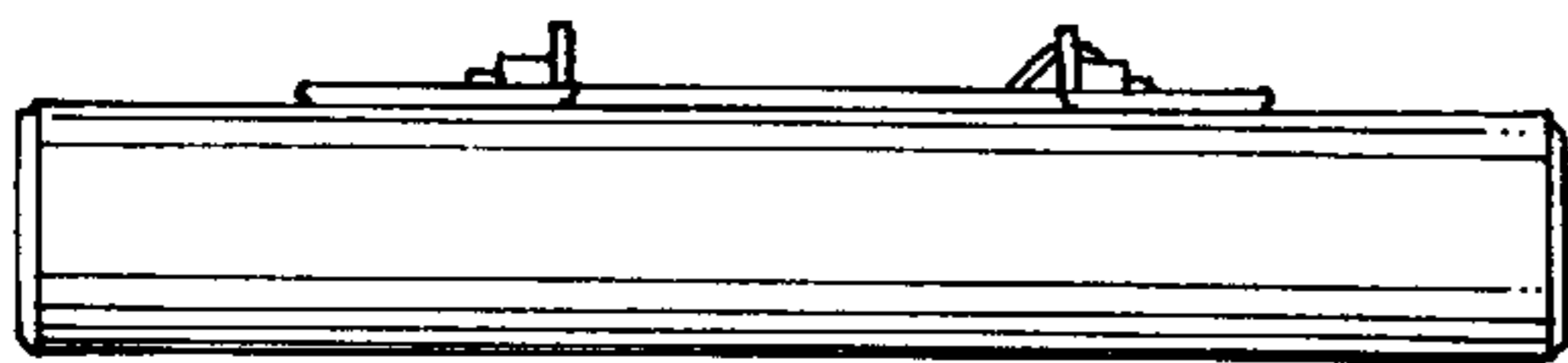


FIG. 4

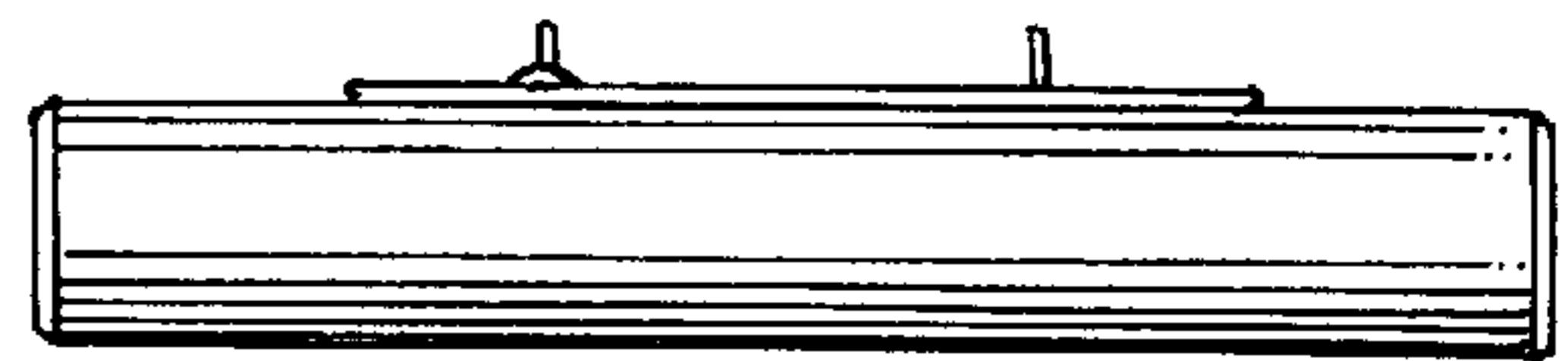


FIG. 6