



US00D431114S

**United States Patent** [19]  
**Smith et al.**

[11] **Patent Number: Des. 431,114**

[45] **Date of Patent: \*\* Sep. 26, 2000**

[54] **PICTURE FRAME**

[75] Inventors: **Britton D. Smith**, Burnsville; **Charles M. Roycraft**, Eden Prairie, both of Minn.

[73] Assignee: **Craftsmith Company Inc.**, Eden Prairie, Minn.

[\*\*] Term: **14 Years**

[21] Appl. No.: **29/109,624**

[22] Filed: **Aug. 18, 1999**

[51] **LOC (7) Cl.** ..... **06-07**

[52] **U.S. Cl.** ..... **D6/309; D21/710**

[58] **Field of Search** ..... **D6/300-314; 40/700, 40/711, 714, 716, 720, 735, 745, 765, 766, 780, 790; D21/710**

[56] **References Cited**

**U.S. PATENT DOCUMENTS**

D. 120,527 5/1940 Gross ..... D6/308

D. 222,197 10/1971 Pavenick ..... D6/308  
D. 324,959 3/1992 White ..... D6/300  
D. 392,110 3/1998 Tsui ..... D6/309  
D. 397,556 9/1998 Yisrael ..... D6/309

*Primary Examiner*—Janice E. Seeger  
*Attorney, Agent, or Firm*—Skinner and Associates

[57] **CLAIM**

The ornamental design for a picture frame, as shown and described.

**DESCRIPTION**

FIG. 1 is a perspective view of the picture frame showing the new design.

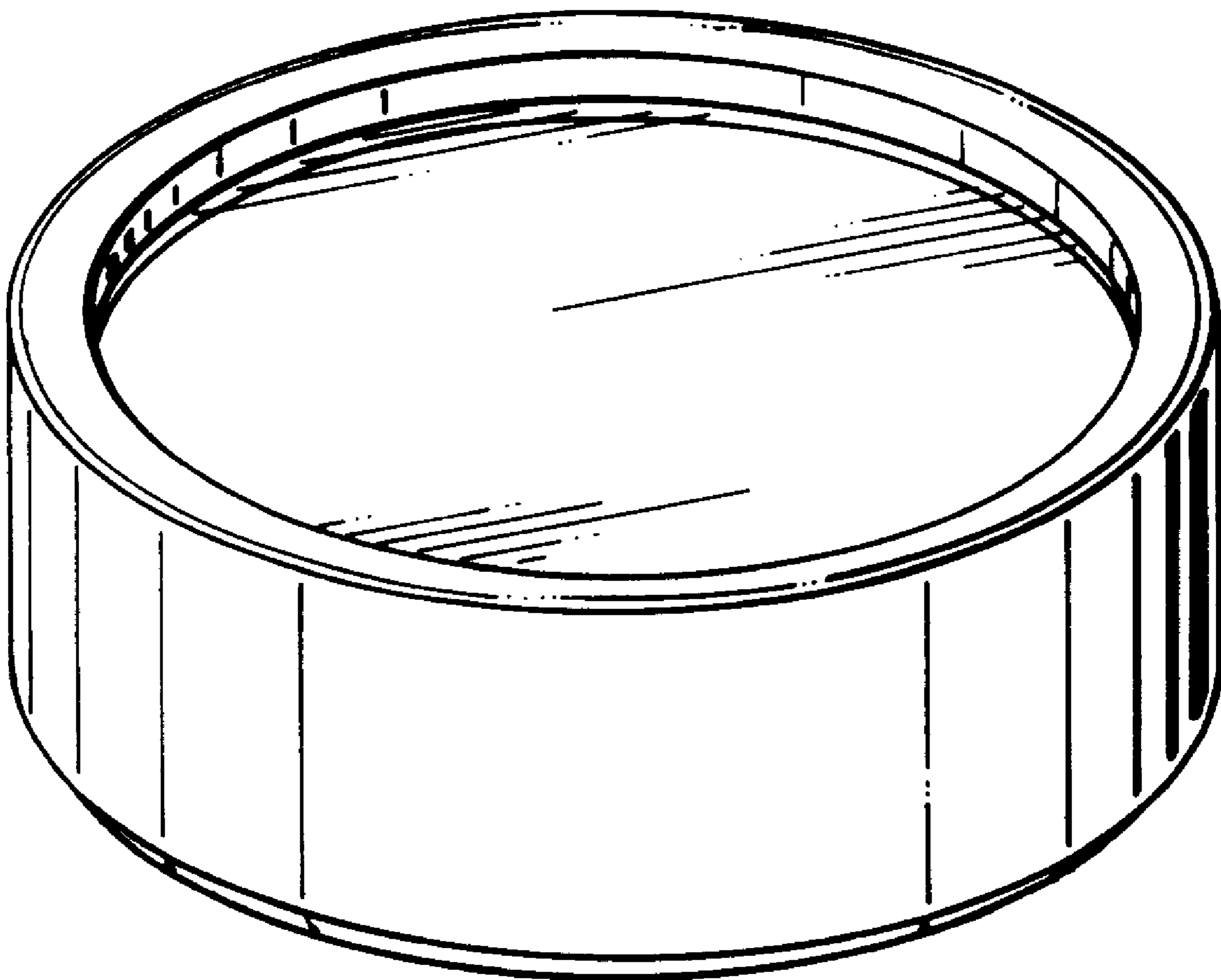
FIG. 2 is a front view thereof.

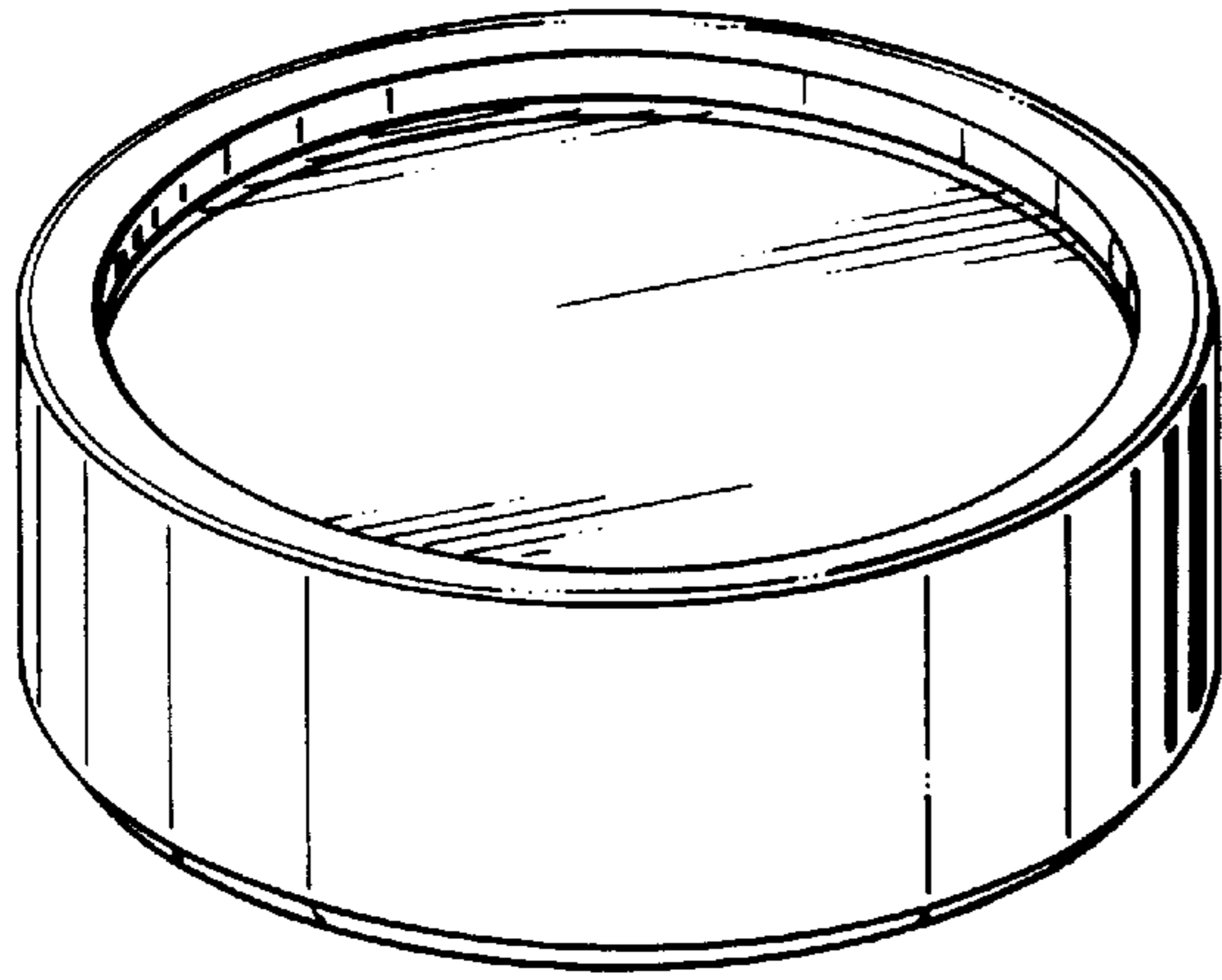
FIG. 3 is a side view thereof, the opposite side being symmetrical.

FIG. 4 is a bottom view thereof; and,

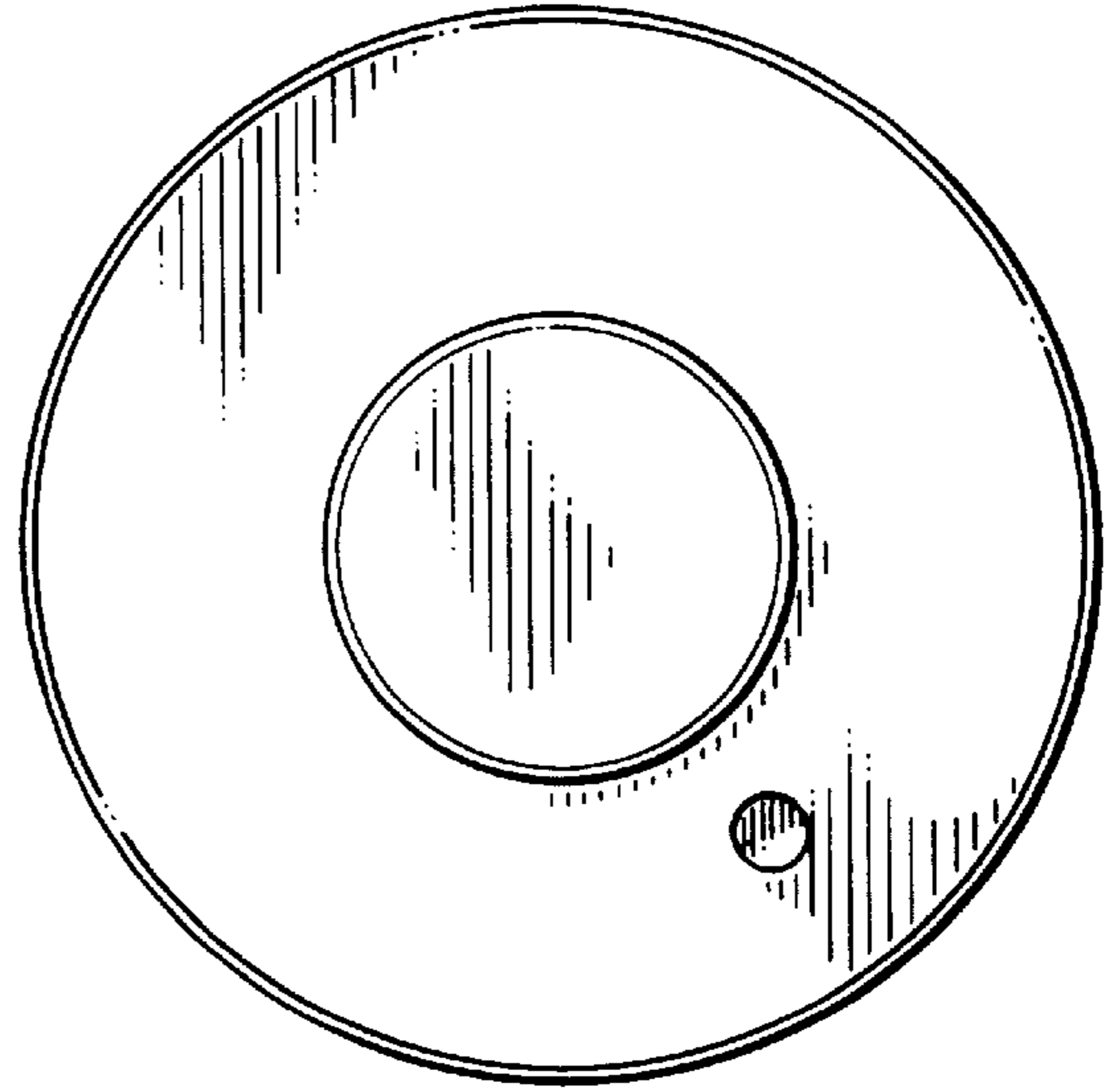
FIG. 5 is a side view of the picture frame, showing an alternative embodiment of the new design, all other views of the embodiment being equivalent to those of the prior embodiment.

**1 Claim, 1 Drawing Sheet**

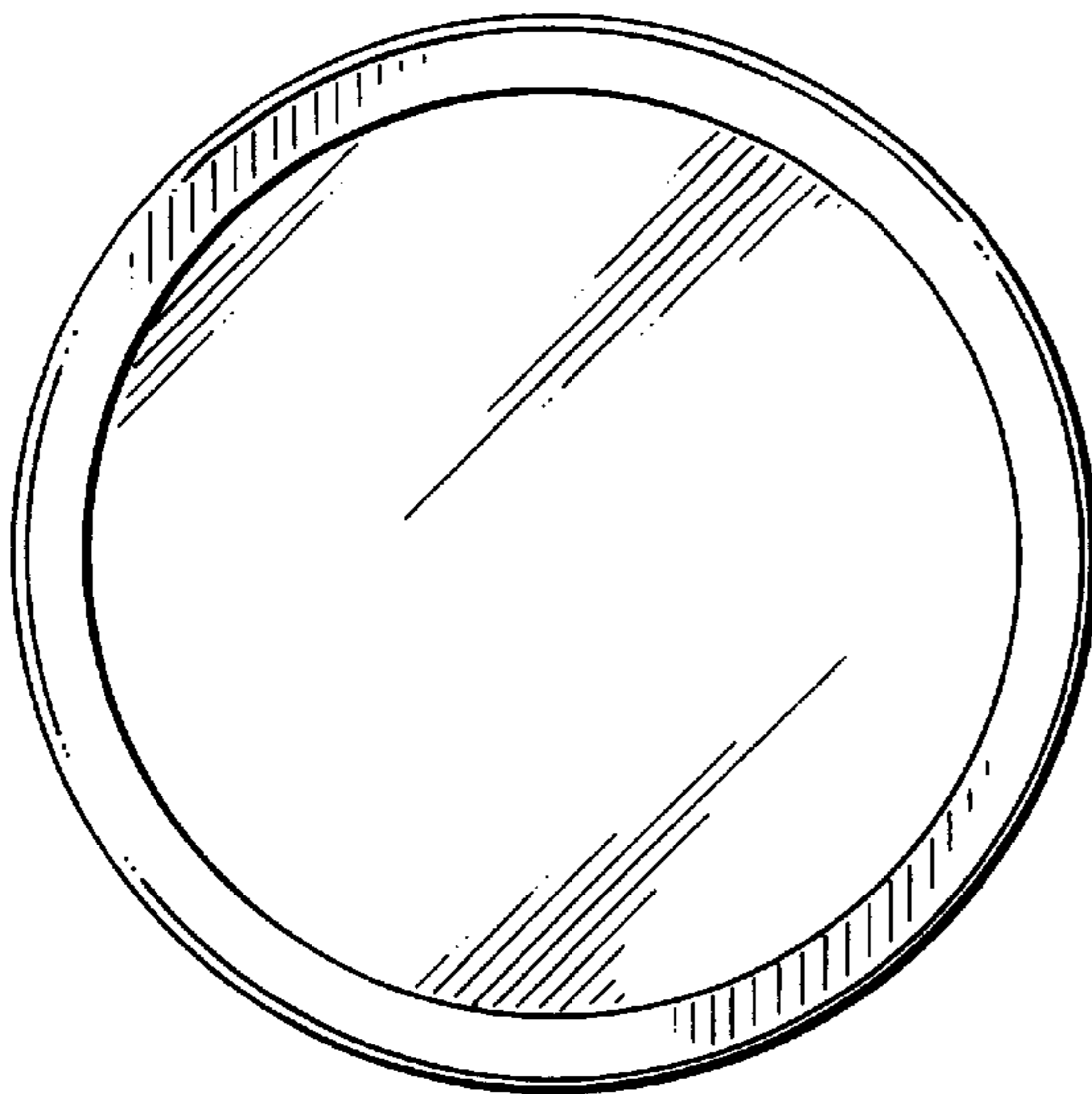




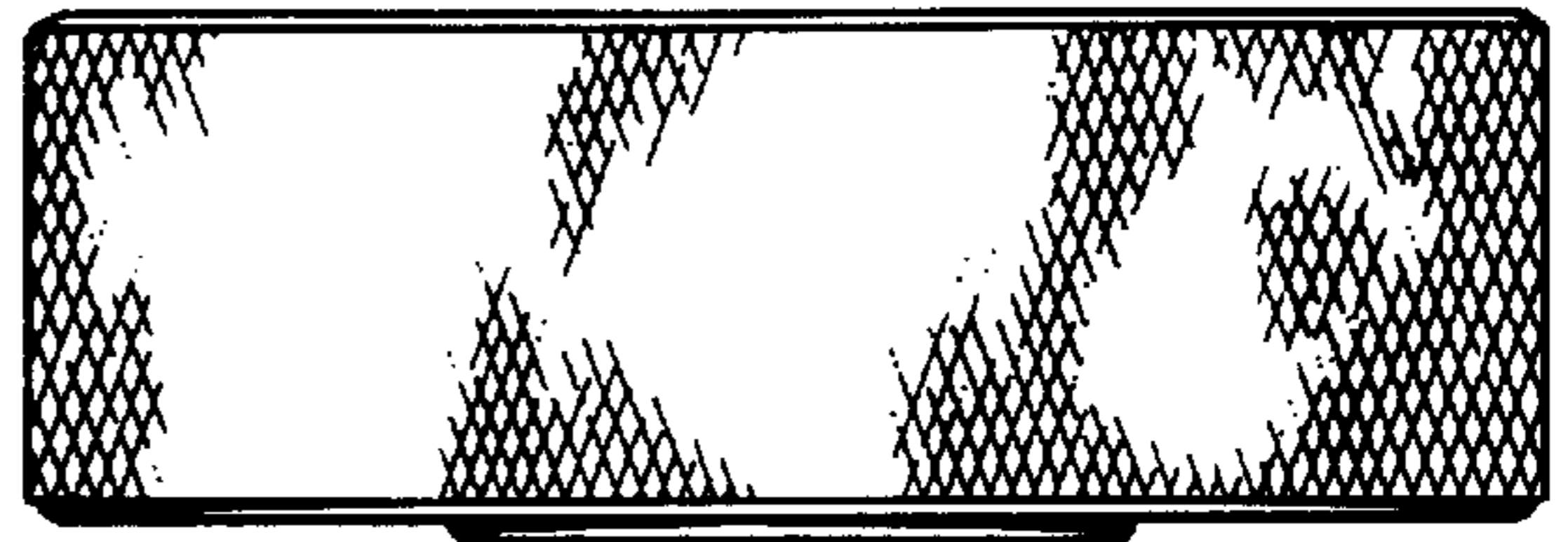
**Fig. 1**



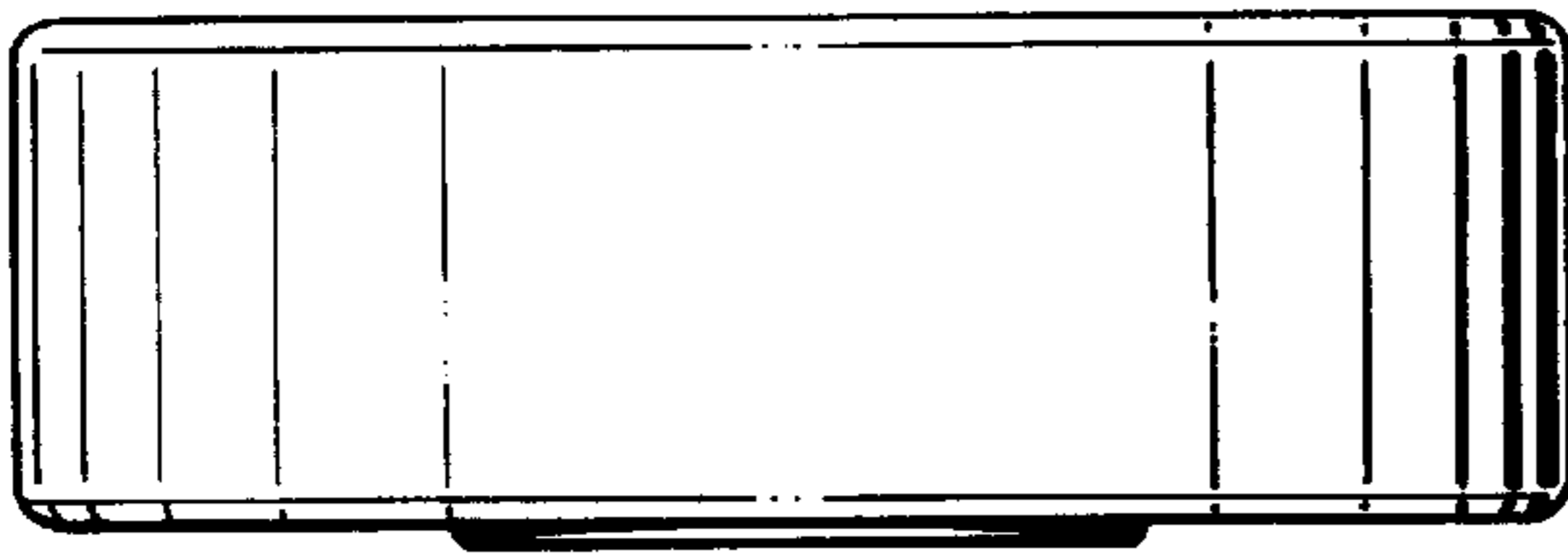
**Fig. 4**



**Fig. 2**



**Fig. 5**



**Fig. 3**