



US00D431111S

United States Patent [19] Ryan

[11] **Patent Number: Des. 431,111**

[45] **Date of Patent: ** Sep. 26, 2000**

[54] **GOLF BAG TOP**

[75] Inventor: **Dennis Ryan**, Springfield, Tenn.

[73] Assignee: **Datrek Professional Bags, Inc.**,
Springfield, Tenn.

[**] Term: **14 Years**

[21] Appl. No.: **29/101,092**

[22] Filed: **Feb. 25, 1999**

[51] **LOC (7) Cl.** **03-99**

[52] **U.S. Cl.** **D3/320**

[58] **Field of Search** D3/319-321, 255,
D3/259; 206/315.3, 315.5, 315.6, 315.7,
315.8; 248/95-96, 99-101

[56] **References Cited**

U.S. PATENT DOCUMENTS

D. 382,406	8/1997	Kim	D3/320
D. 382,707	8/1997	Wang	D3/255
D. 391,082	2/1998	Kim	D3/320
4,600,100	7/1986	Solheim	206/315.6
4,778,136	10/1988	Reimers	248/96
4,796,752	1/1989	Reimers	206/315.3
4,834,235	5/1989	Solheim et al.	206/315.7
5,125,507	6/1992	Graziano, Jr.	206/315.6
5,868,248	2/1999	Joh	206/315.2
5,944,184	8/1999	Smith	206/315.3

OTHER PUBLICATIONS

“Super Shaft Saver”, No. 251, p. 22: The Golf Store for Golfsmith, Sep. 1993.

Excerpt of an advertising brochure advertising OMEGA™ Series. Undated.

Excerpt of an advertising brochure of Tectonic Corporation used under license by Burton Golf, Inc. advertising NIBLOCK® Security Systems. Undated.

Excerpt of an advertising brochure advertising Fury™. Undated.

Excerpt of an advertising brochure advertising XL Tour Series™. Undated.

Excerpt of an advertising brochure advertising EXECUTIVE™ Series A. Undated.

Primary Examiner—Louis S. Zarfes

Assistant Examiner—Robert A. Delehanty

Attorney, Agent, or Firm—I. C. Waddey, Jr.; Waddey & Patterson

[57] **CLAIM**

The ornamental design for golf bag top, as shown and described.

DESCRIPTION

FIG. 1 is a front, side perspective view of a golf bag top showing my new design;

FIG. 2 is a rear elevation view shown on a reduced scale thereof;

FIG. 3 is a top plan view shown on a reduced scale thereof;

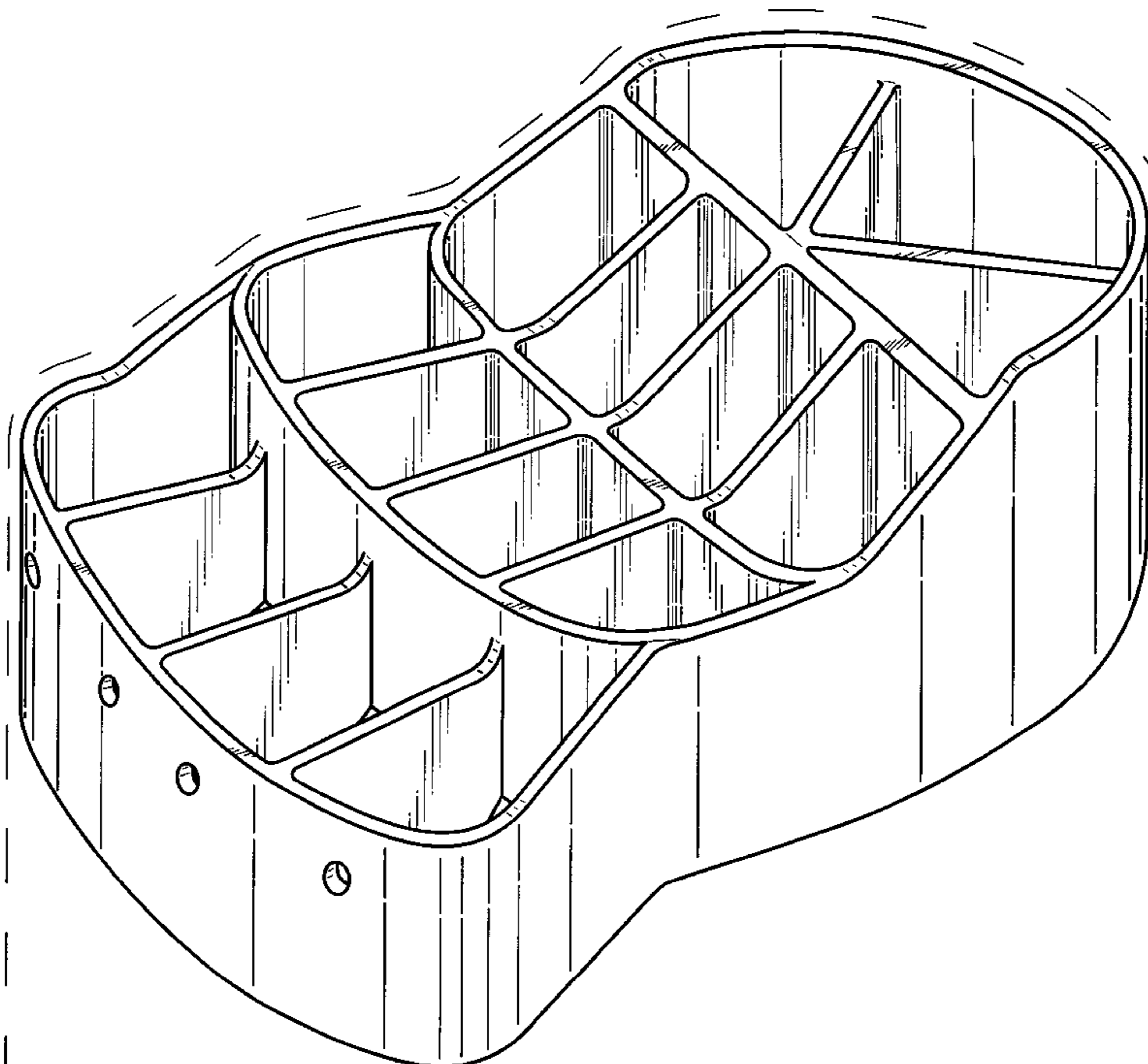
FIG. 4 is a front elevation view shown on a reduced scale thereof;

FIG. 5 is a right, side elevation view shown on a reduced scale thereof, it being understood that the left side is a mirror image thereof; and,

FIG. 6 is a bottom plan view shown on a reduced scale thereof.

The broken line showing of a partial view of a golf bag is for illustrative purposes only and forms no part of the claimed design.

1 Claim, 2 Drawing Sheets



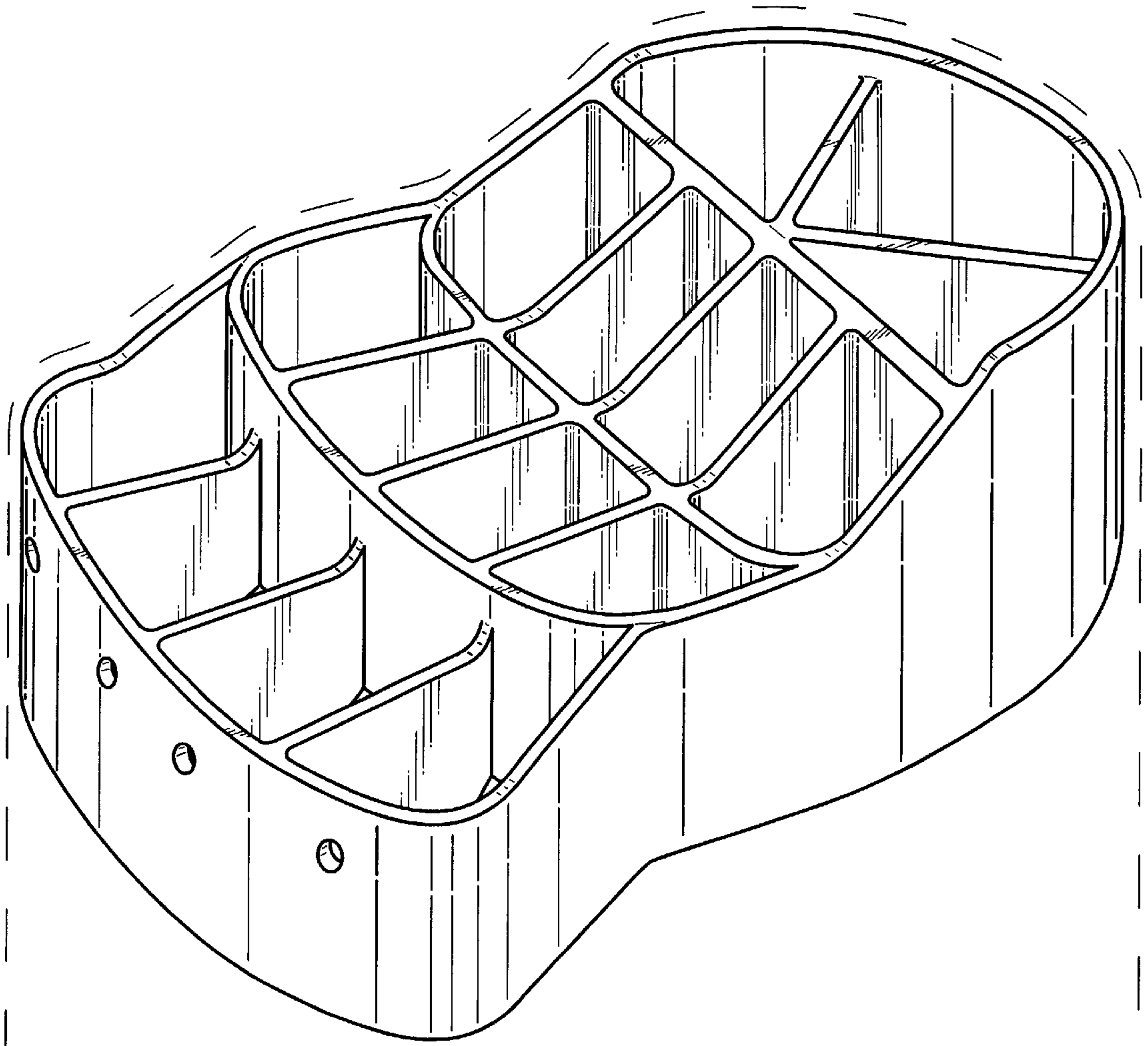


FIG. 1

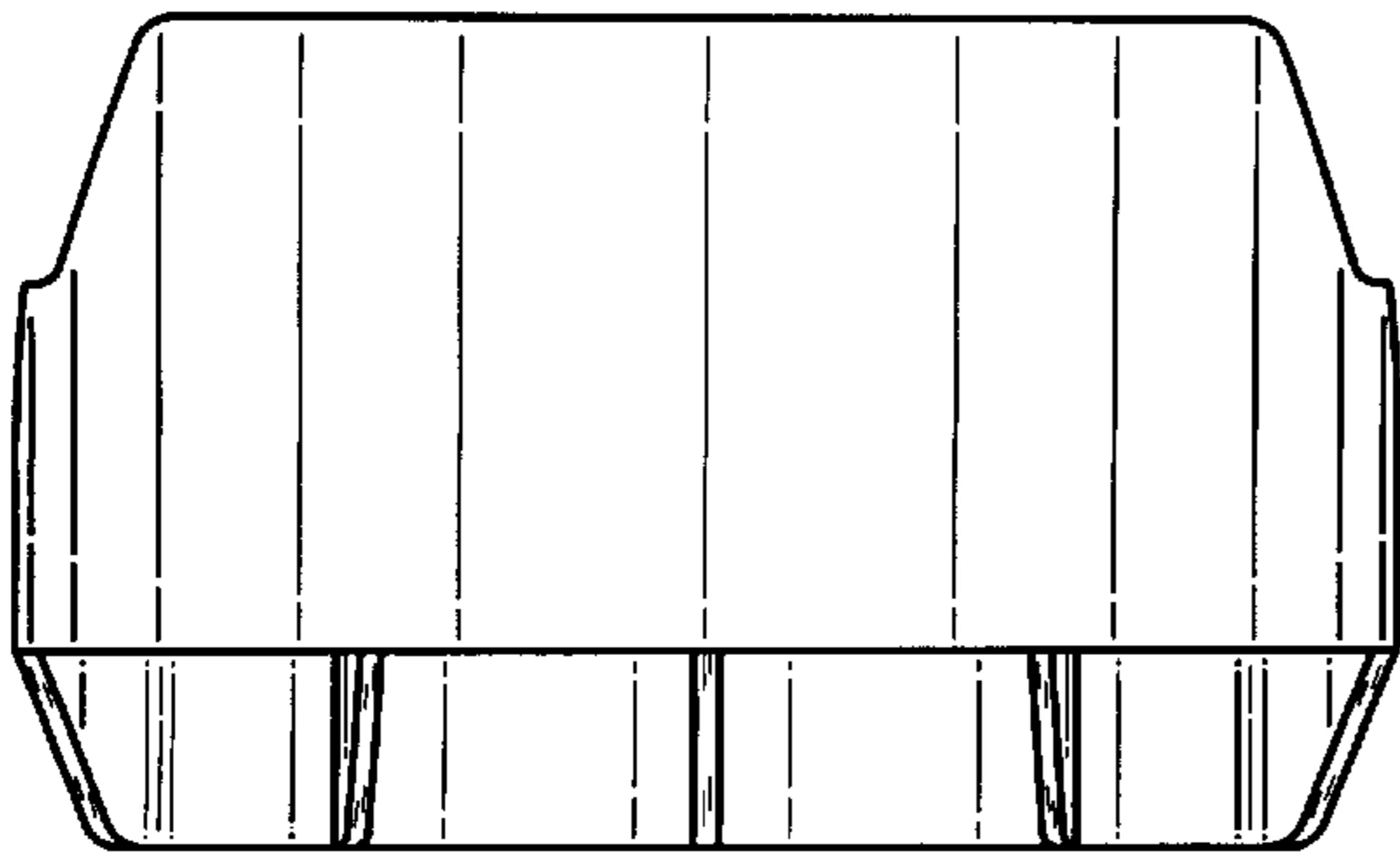


FIG. 2

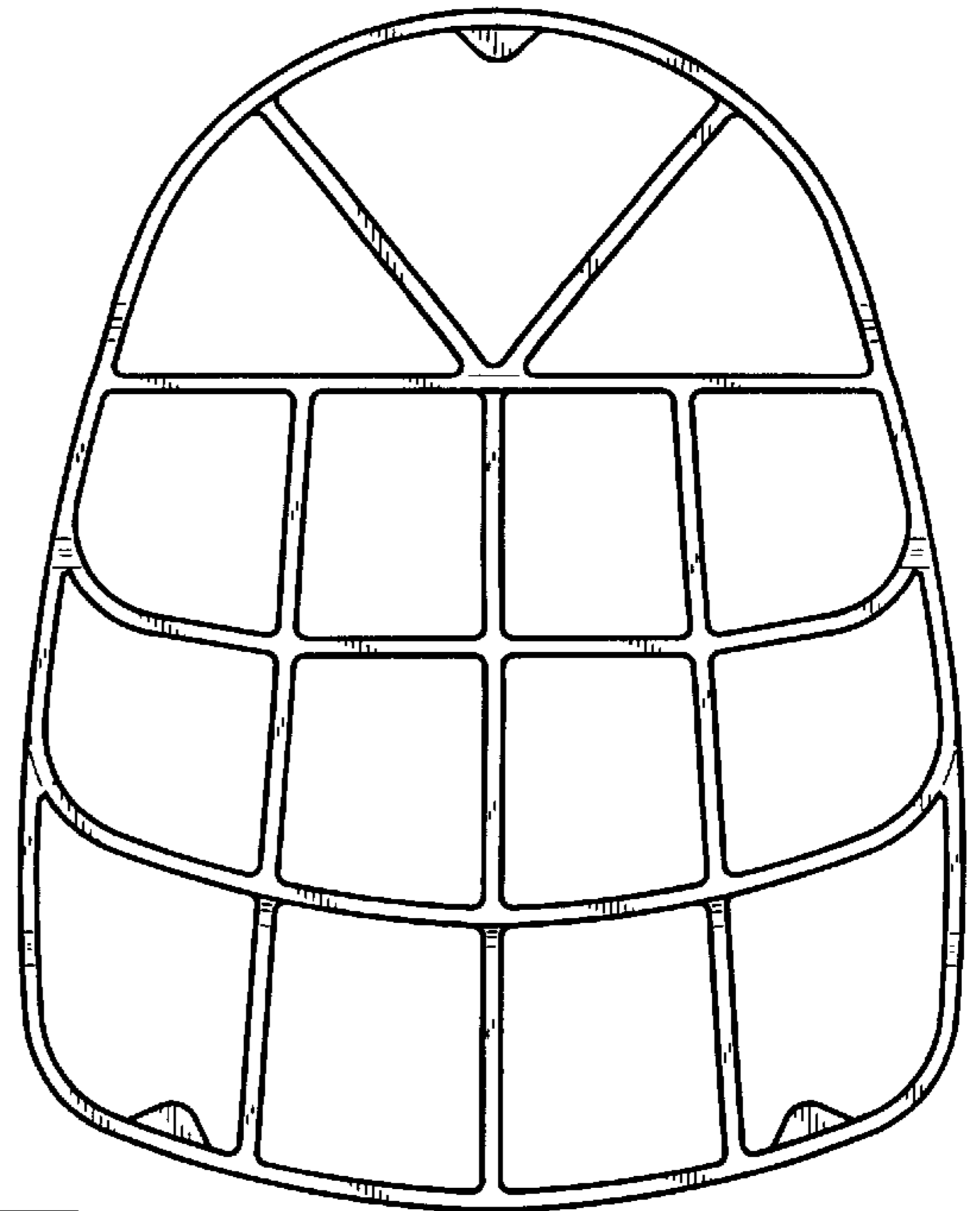


FIG. 3

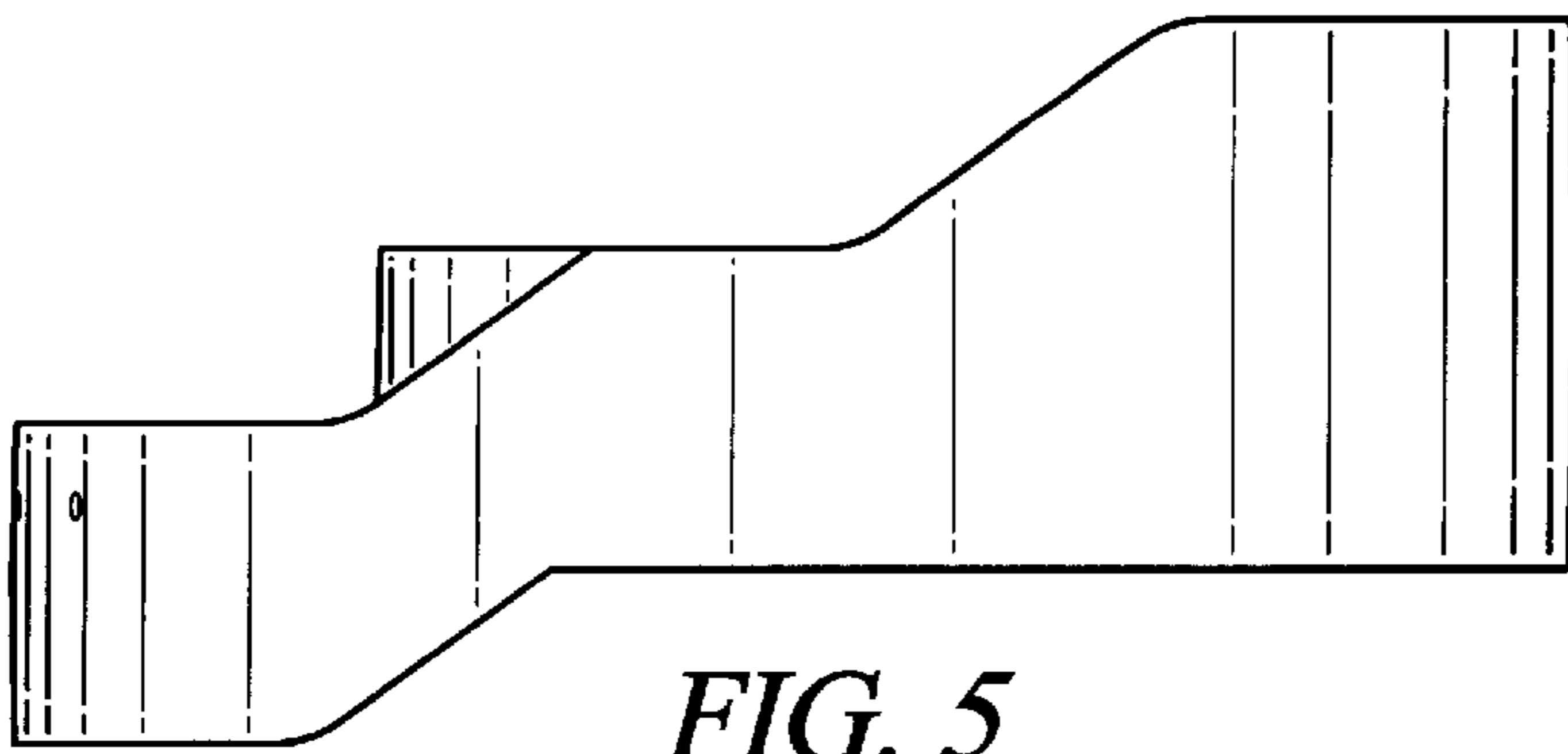


FIG. 5

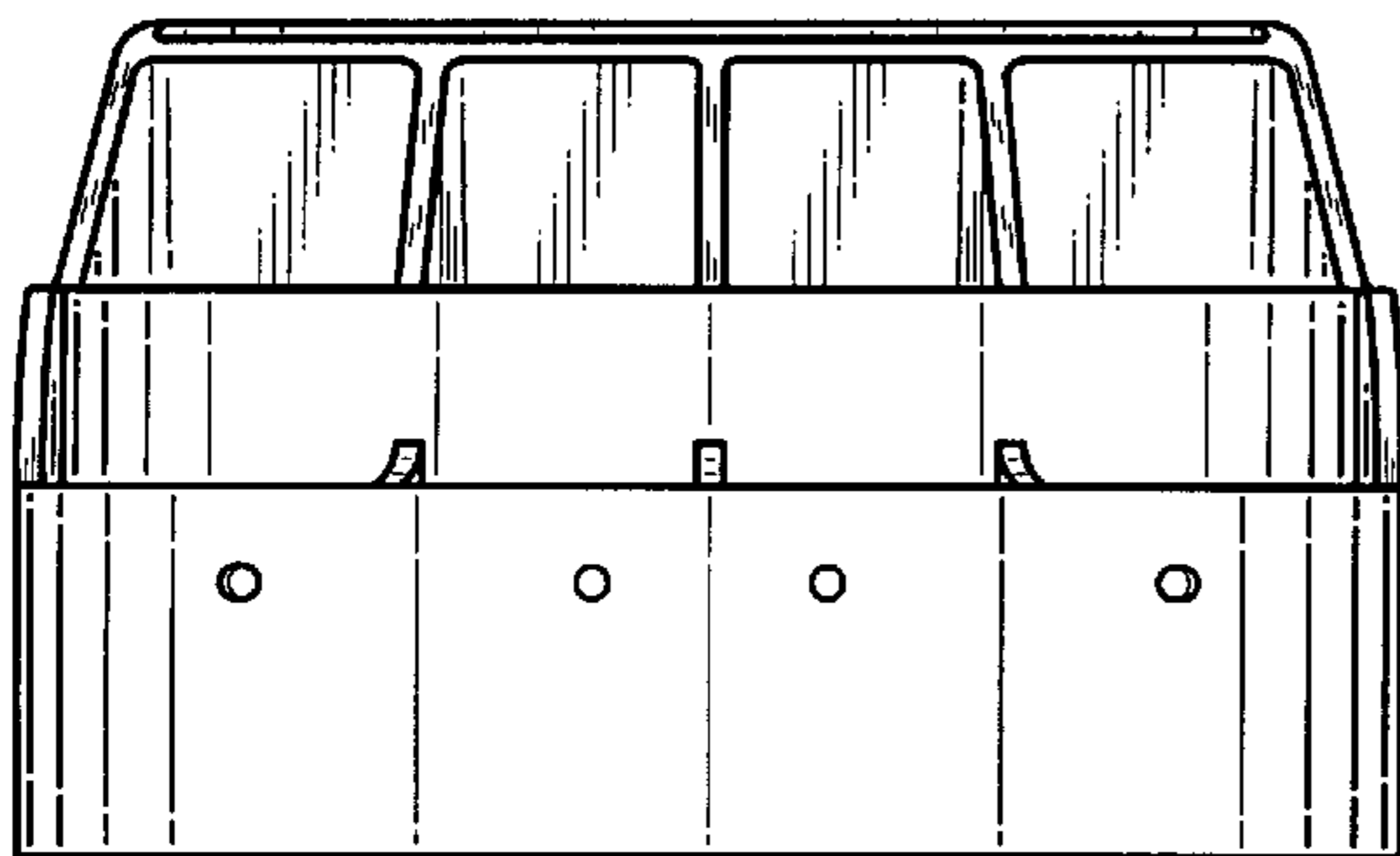


FIG. 4

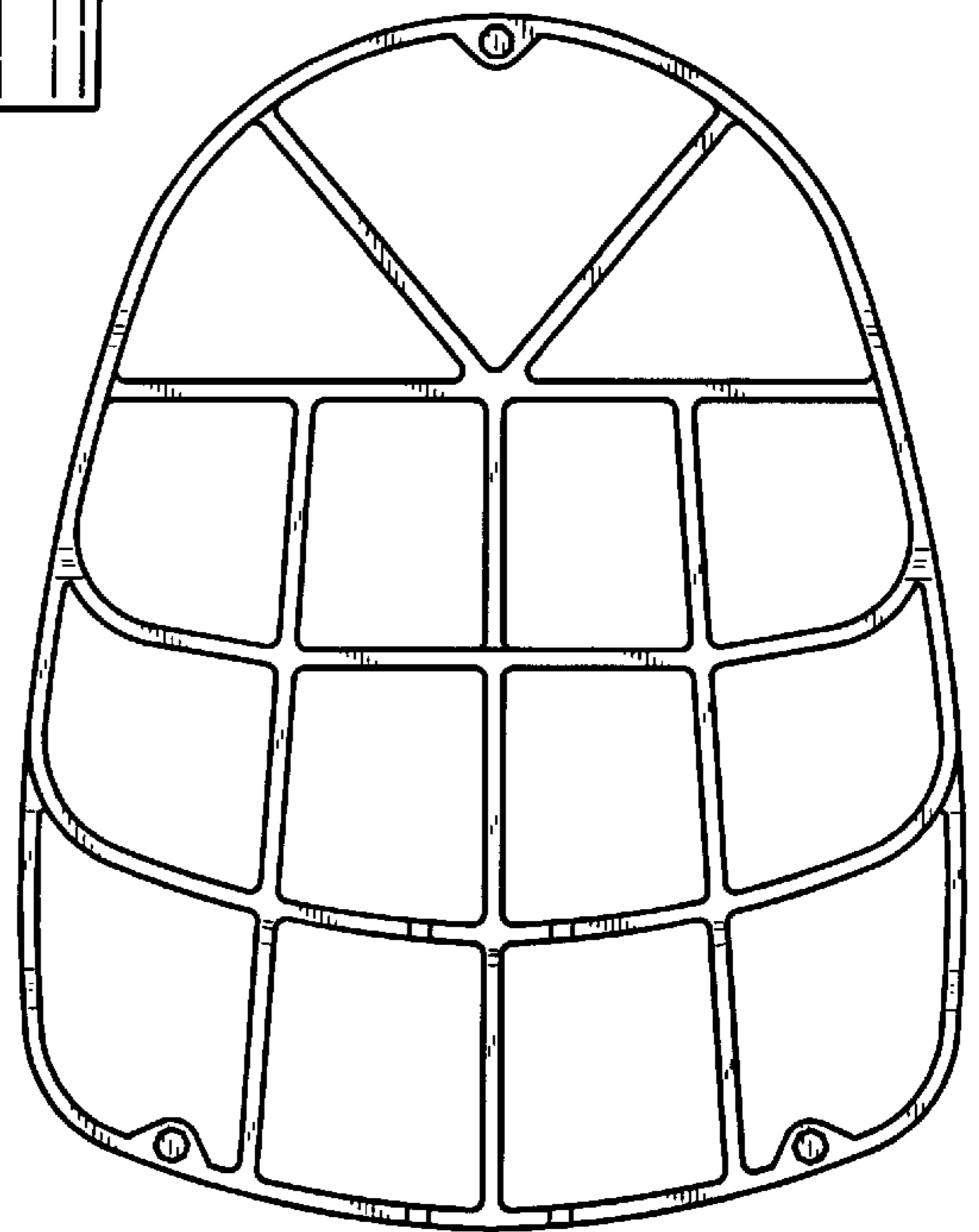


FIG. 6