



US00D431110S

# United States Patent [19] Dembicks

[11] **Patent Number: Des. 431,110**

[45] **Date of Patent: \*\* Sep. 26, 2000**

[54] **EIGHT COMPARTMENT TRAY**

[76] Inventor: **Andrew E. Dembicks**, 5308 Boca Marina Cir. North, Boca Raton, Fla. 33487

[\*\*] Term: **14 Years**

[21] Appl. No.: **29/107,490**

[22] Filed: **Jul. 7, 1999**

[51] **LOC (7) Cl.** ..... **03-01**

[52] **U.S. Cl.** ..... **D3/313**

[58] **Field of Search** ..... D3/313, 201, 203, D3/304, 314; 206/557, 561; 220/507; D7/553.1; D9/347

[56] **References Cited**

**U.S. PATENT DOCUMENTS**

D. 278,255	4/1985	Evenson .	
D. 321,074	10/1991	Eby .	
2,162,162	6/1939	Murguiondo .	
2,313,394	3/1943	Norris .	
3,501,080	3/1970	Govatsos .....	206/561
3,502,241	3/1970	Smith .....	206/561
4,155,198	5/1979	Kelley .....	206/561
4,872,559	10/1989	Schoon .	
4,887,790	12/1989	Wilkinson et al. .	
5,148,942	9/1992	Snook .....	206/561 X
5,753,456	5/1998	Naqui et al. .	

*Primary Examiner*—Louis S. Zarfaz  
*Assistant Examiner*—Catherine R. Oliver  
*Attorney, Agent, or Firm*—Quarles & Brady LLP

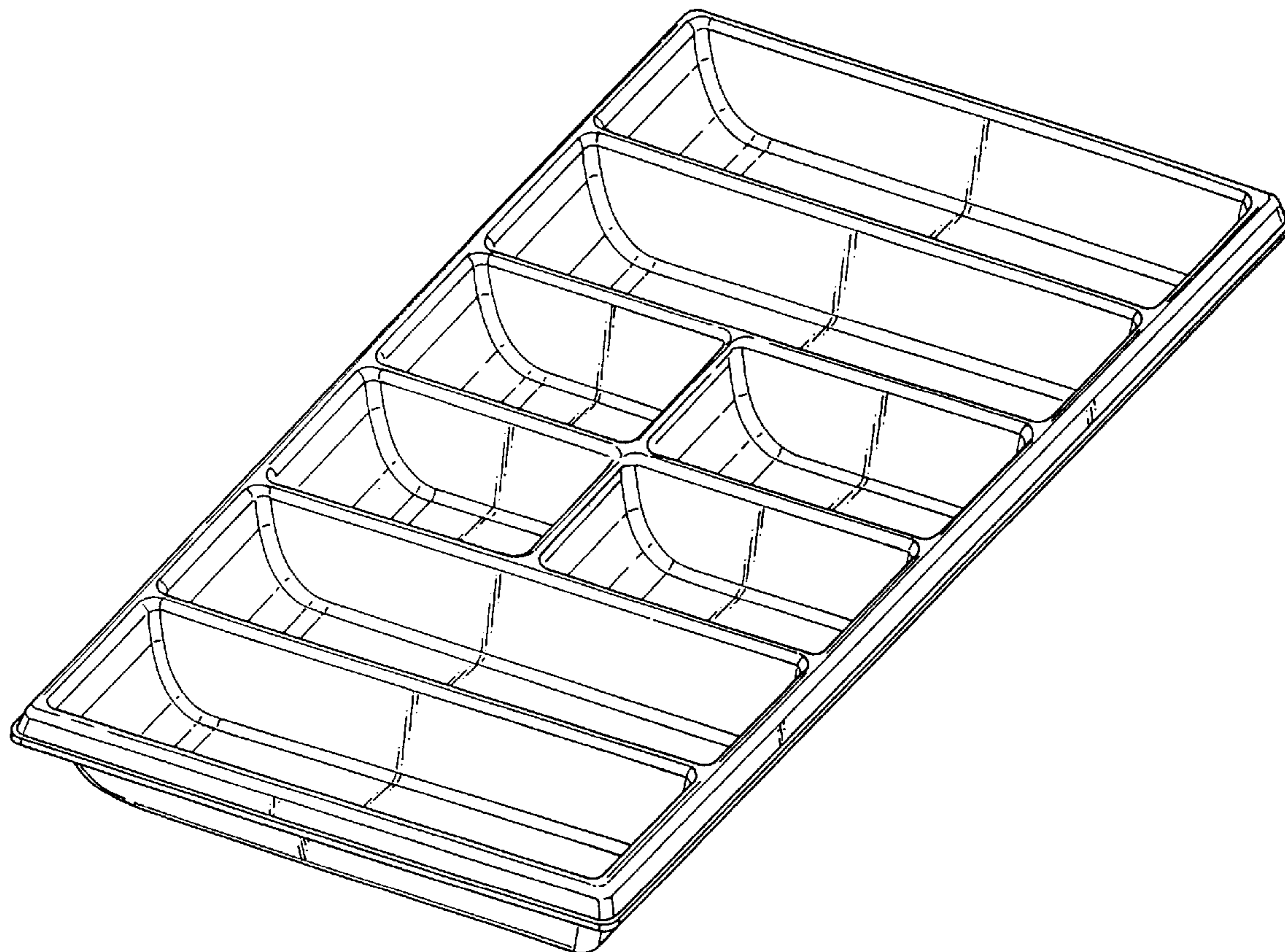
[57] **CLAIM**

An ornamental design for an eight compartment tray, as shown and described.

**DESCRIPTION**

FIG. 1 is a perspective view of the eight compartment tray according to the subject invention;  
FIG. 2 is a rear view of the eight compartment tray according to the subject invention;  
FIG. 3 is a front view of the eight compartment tray according to the subject invention;  
FIG. 4 is a front cross-sectional view of the eight compartment tray according to the subject invention shown along lines 4—4 in FIG. 6;  
FIG. 5 is a top view of the eight compartment tray according to the subject invention  
FIG. 6 is a bottom view of the eight compartment tray according to the subject invention  
FIG. 7 is a side view of the eight compartment tray according to the subject invention; and,  
FIG. 8 is a side cross-sectional view of the two middle compartments of the eight compartment tray according to the subject invention shown along lines 8—8 in FIG. 5.

**1 Claim, 2 Drawing Sheets**



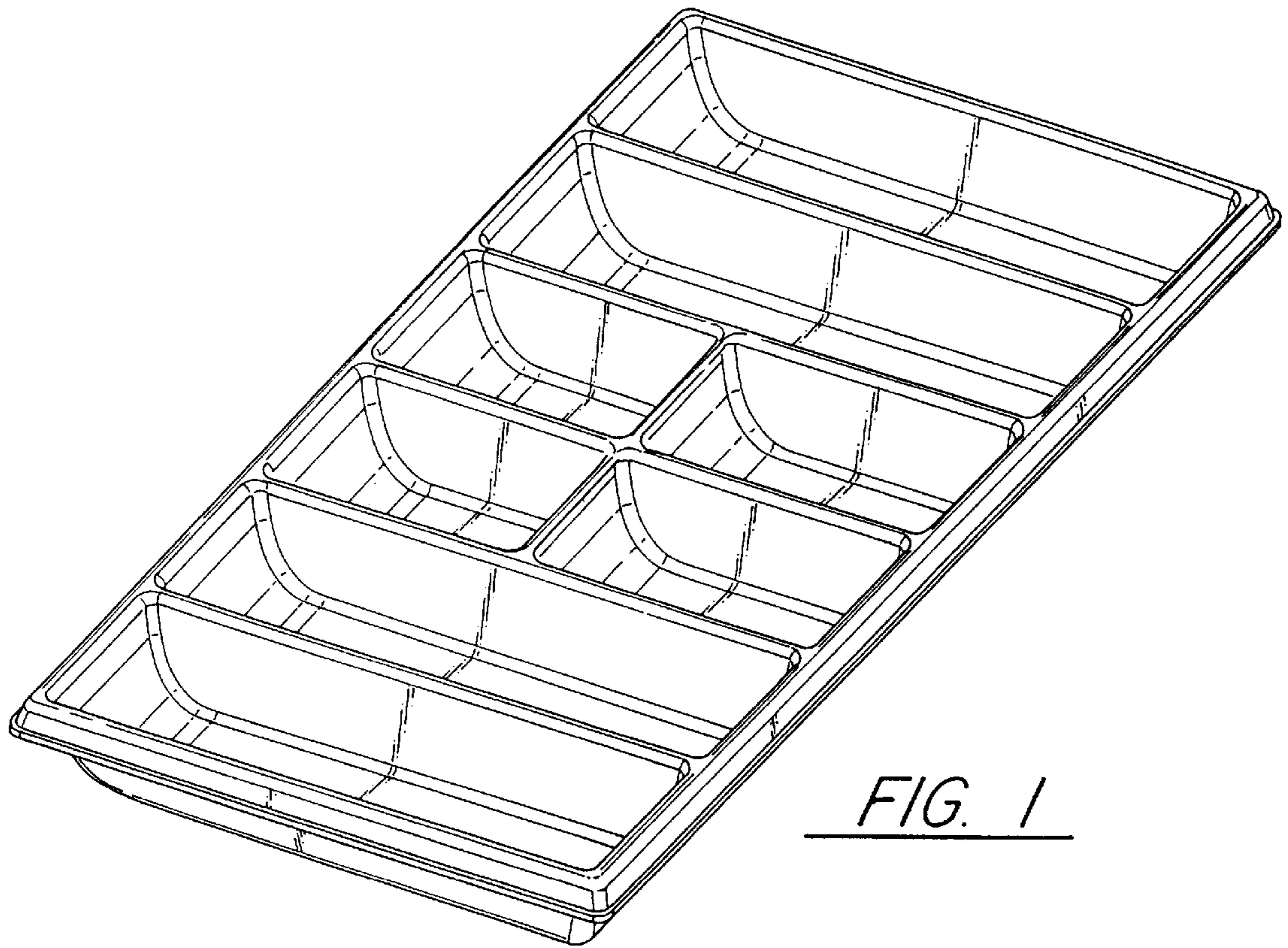


FIG. 1

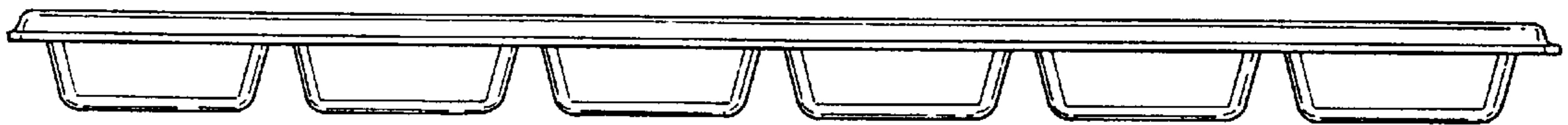


FIG. 2



FIG. 3



FIG. 4

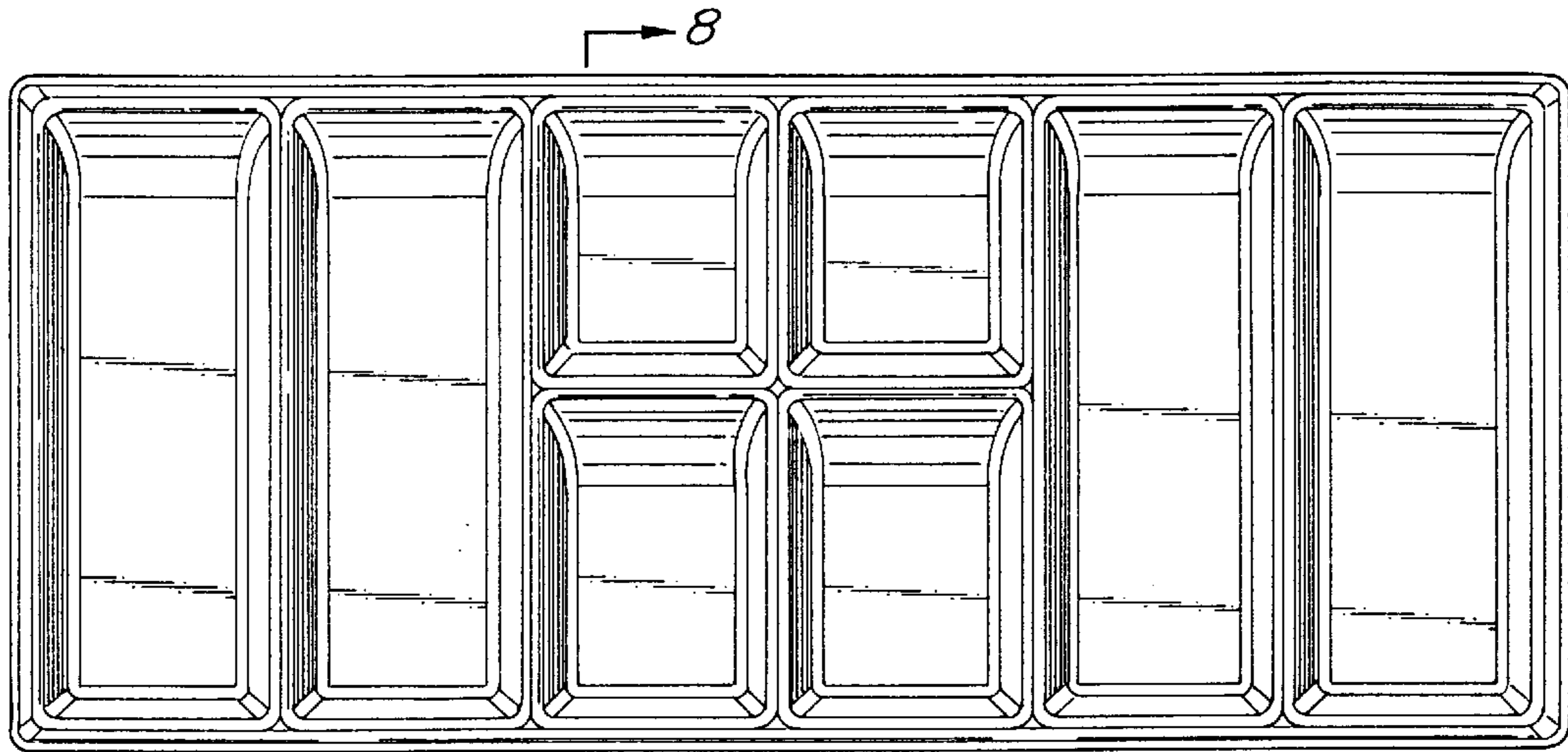


FIG. 5

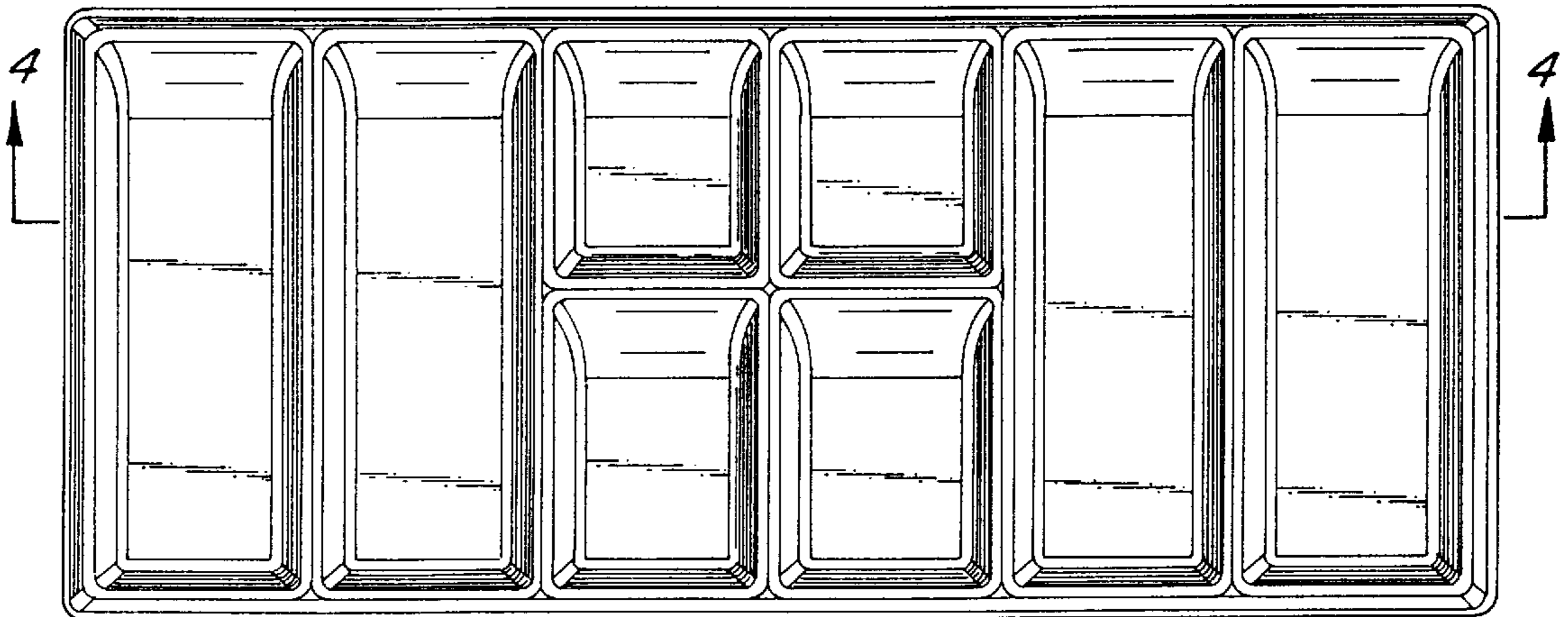


FIG. 6

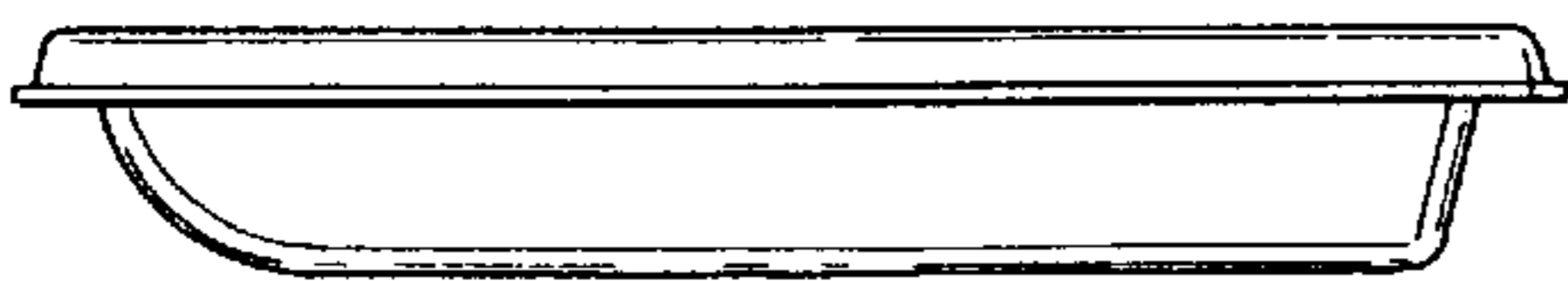


FIG. 7



FIG. 8