



US00D431109S

United States Patent [19]

Lacy et al.

[11] Patent Number: **Des. 431,109**

[45] Date of Patent: **** Sep. 26, 2000**

[54] **WOODEN BASKET**

[75] Inventors: **Sun Lacy**, Newark; **Leane M. Lefever**, Frazeyburg; **Jerry Williamson**, Coshocton, all of Ohio

[73] Assignee: **The Longaberger Company**, Newark, Ohio

[**] Term: **14 Years**

[21] Appl. No.: **29/110,142**

[22] Filed: **Aug. 31, 1999**

[51] **LOC (7) Cl.** **03-01**

[52] **U.S. Cl.** **D3/306**

[58] **Field of Search** D3/306, 304, 308; 217/122, 123, 124, 125; 220/676

[56] **References Cited**

U.S. PATENT DOCUMENTS

Re. 12,676	7/1907	Ryan	217/122
D. 369,468	5/1996	Lacy	D3/306
D. 390,359	2/1998	Lacy	D3/306

D. 391,077	2/1998	Lacy et al.	D3/306
D. 409,837	5/1999	Lacy et al.	D3/306
1,917,903	7/1933	Sargent	217/122

Primary Examiner—Louis S. Zarfes
Assistant Examiner—Catherine R. Oliver
Attorney, Agent, or Firm—Porter, Wright, Morris & Arthur LLP

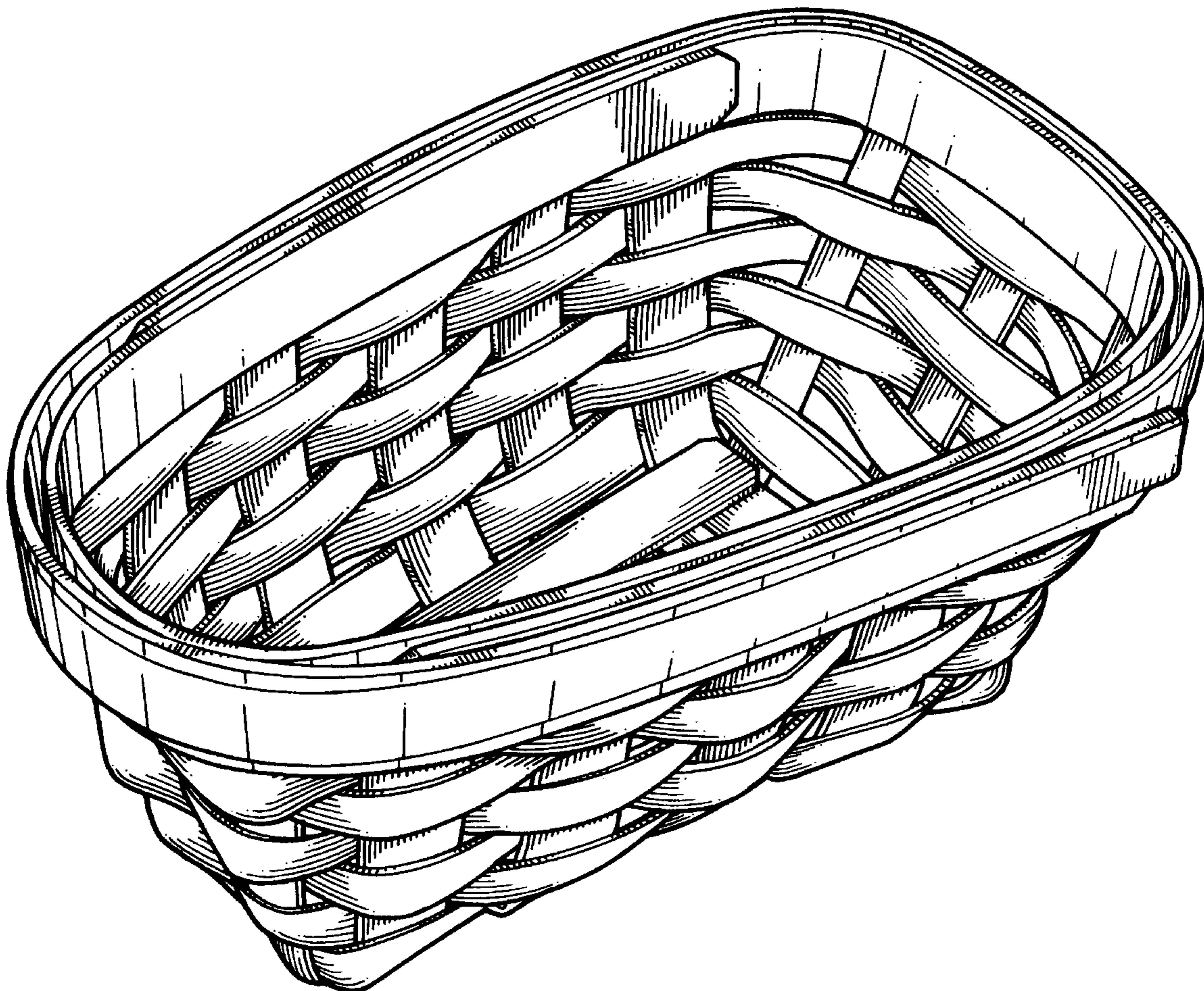
[57] **CLAIM**

The ornamental design for wooden basket, as shown and described.

DESCRIPTION

FIG. 1 is a perspective view of the wooden basket showing our new design;
FIG. 2 is a front view thereof;
FIG. 3 is a left side view thereof;
FIG. 4 is a rear view thereof;
FIG. 5 is a right side view thereof;
FIG. 6 is a top view thereof; and,
FIG. 7 is a bottom view thereof.

1 Claim, 5 Drawing Sheets



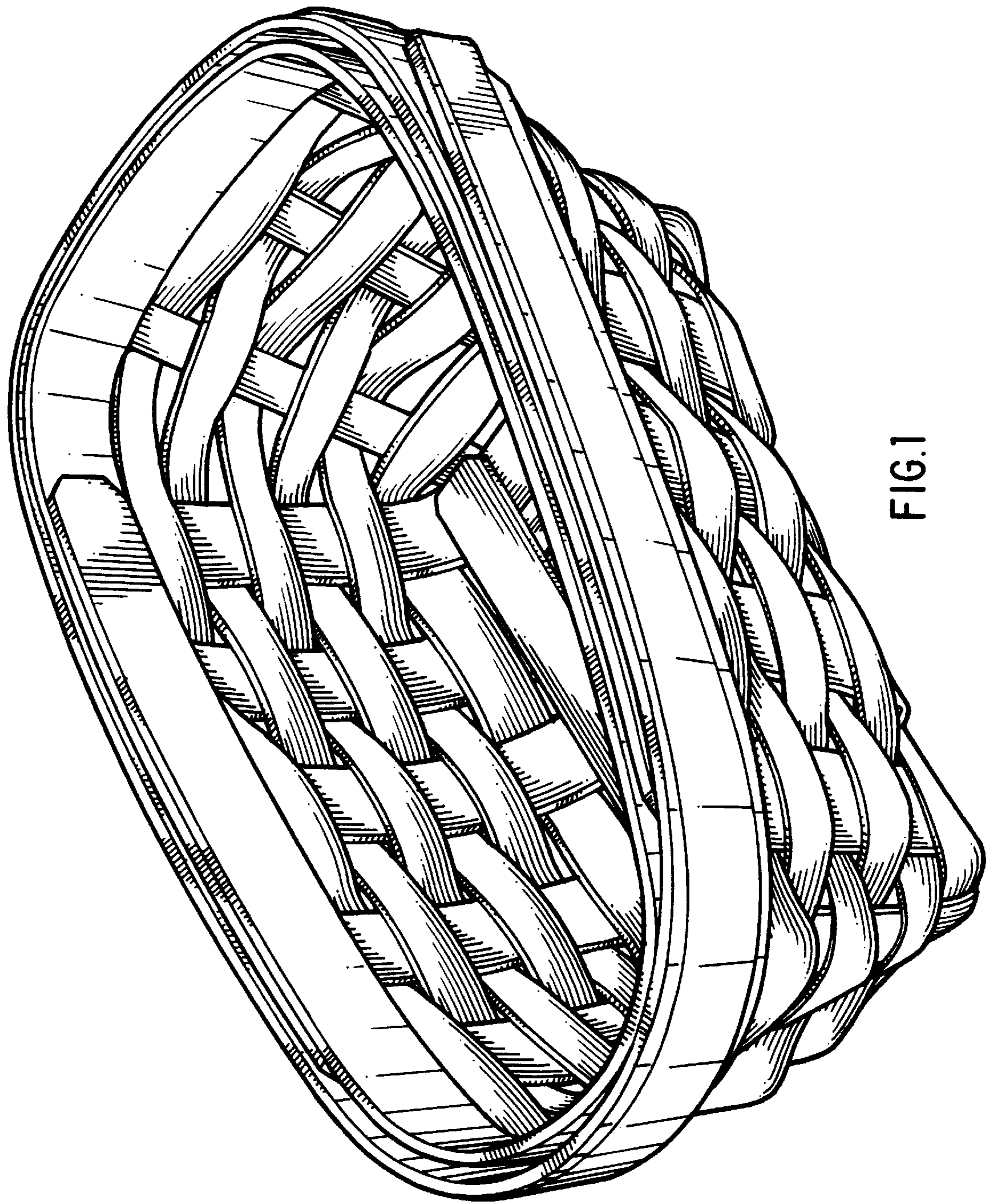


FIG. 1

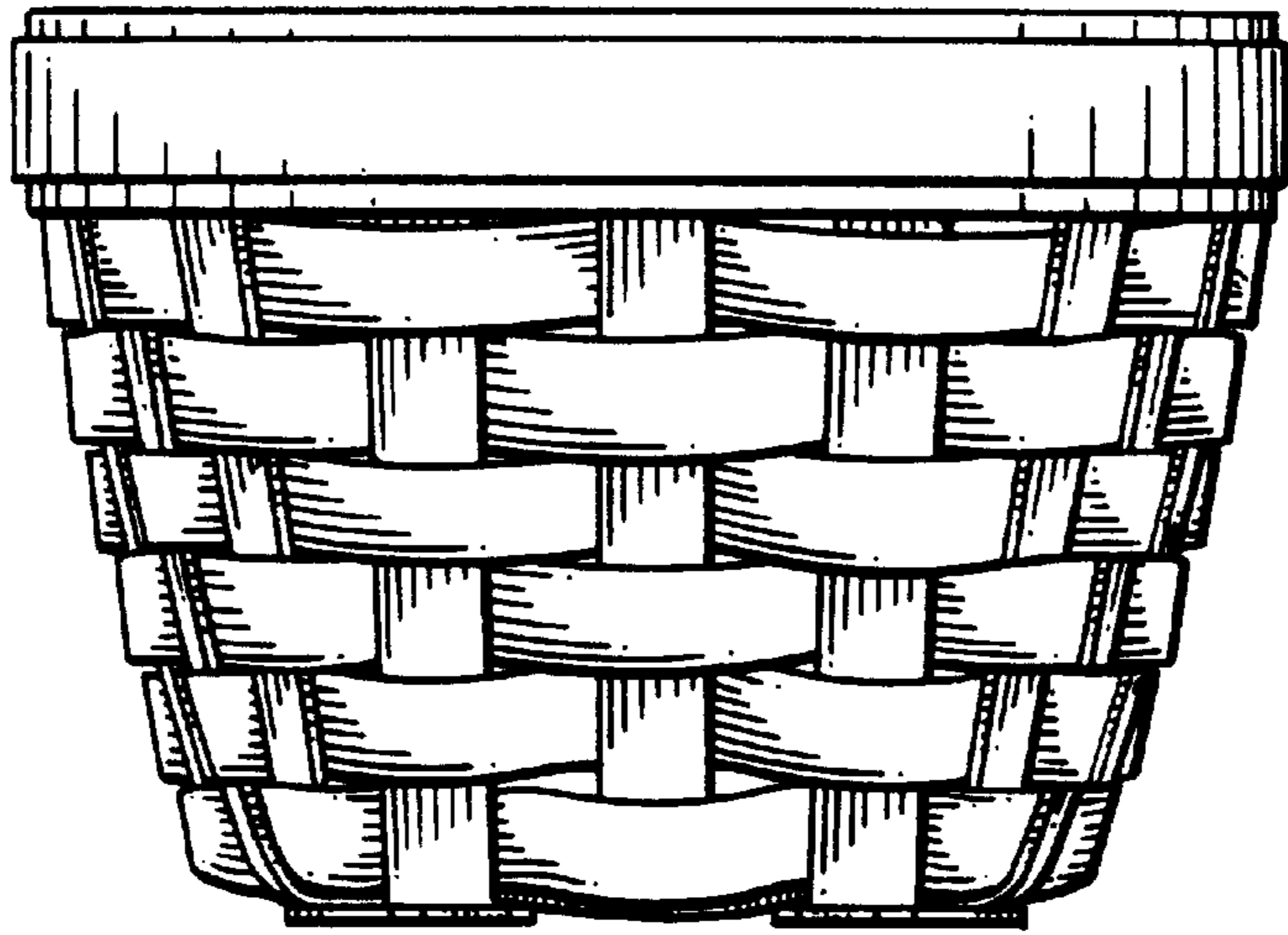


FIG. 2

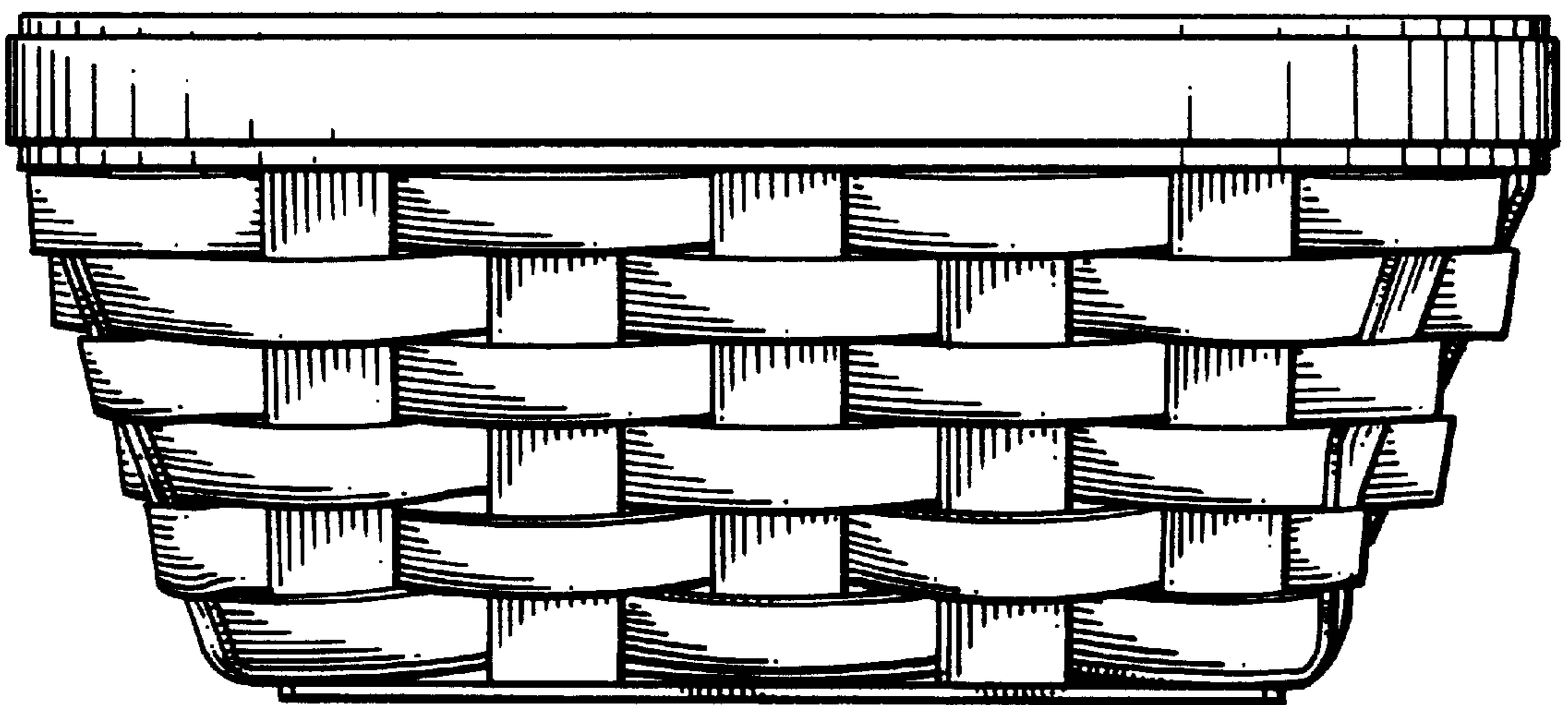


FIG. 3

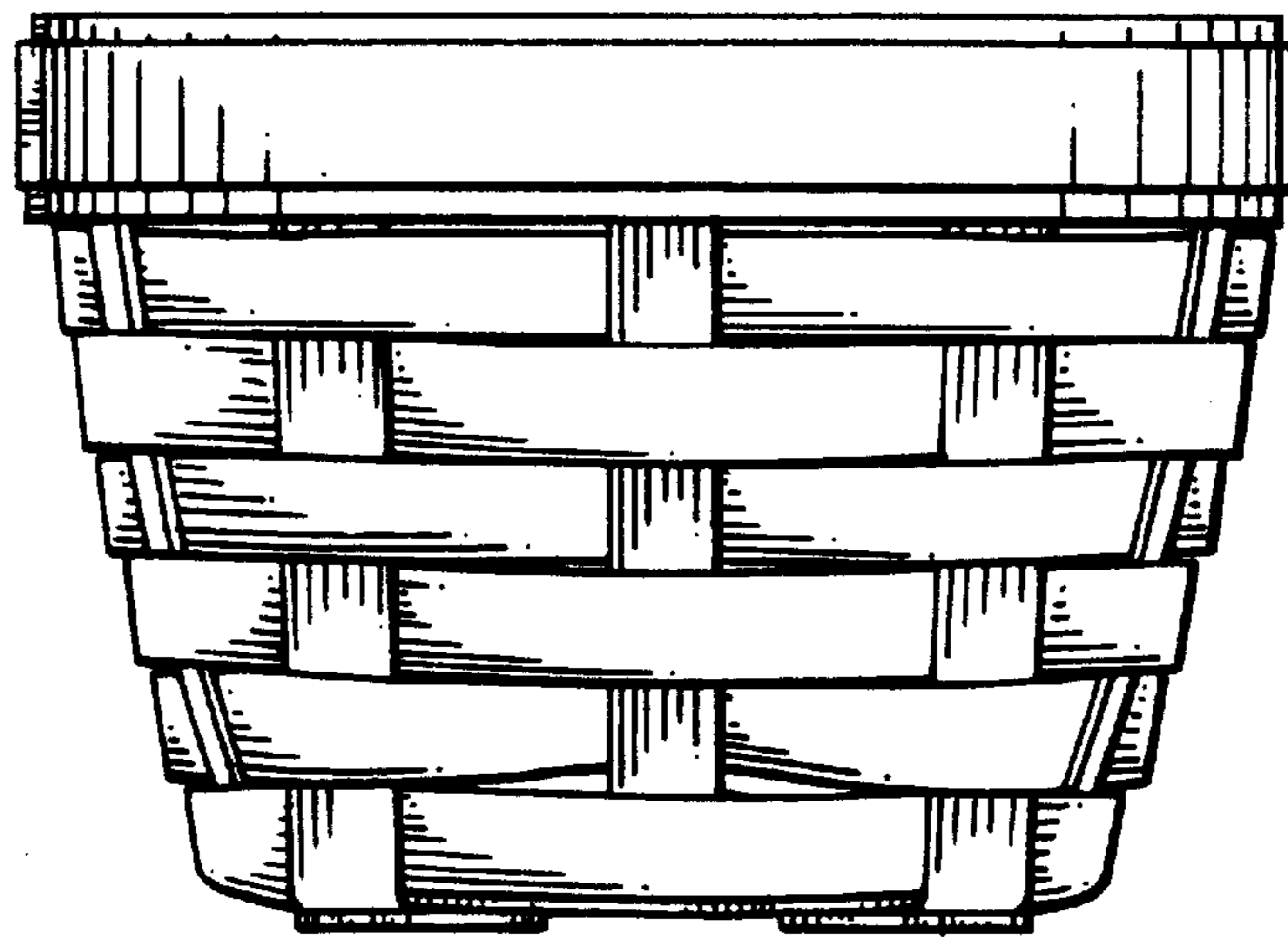


FIG. 4

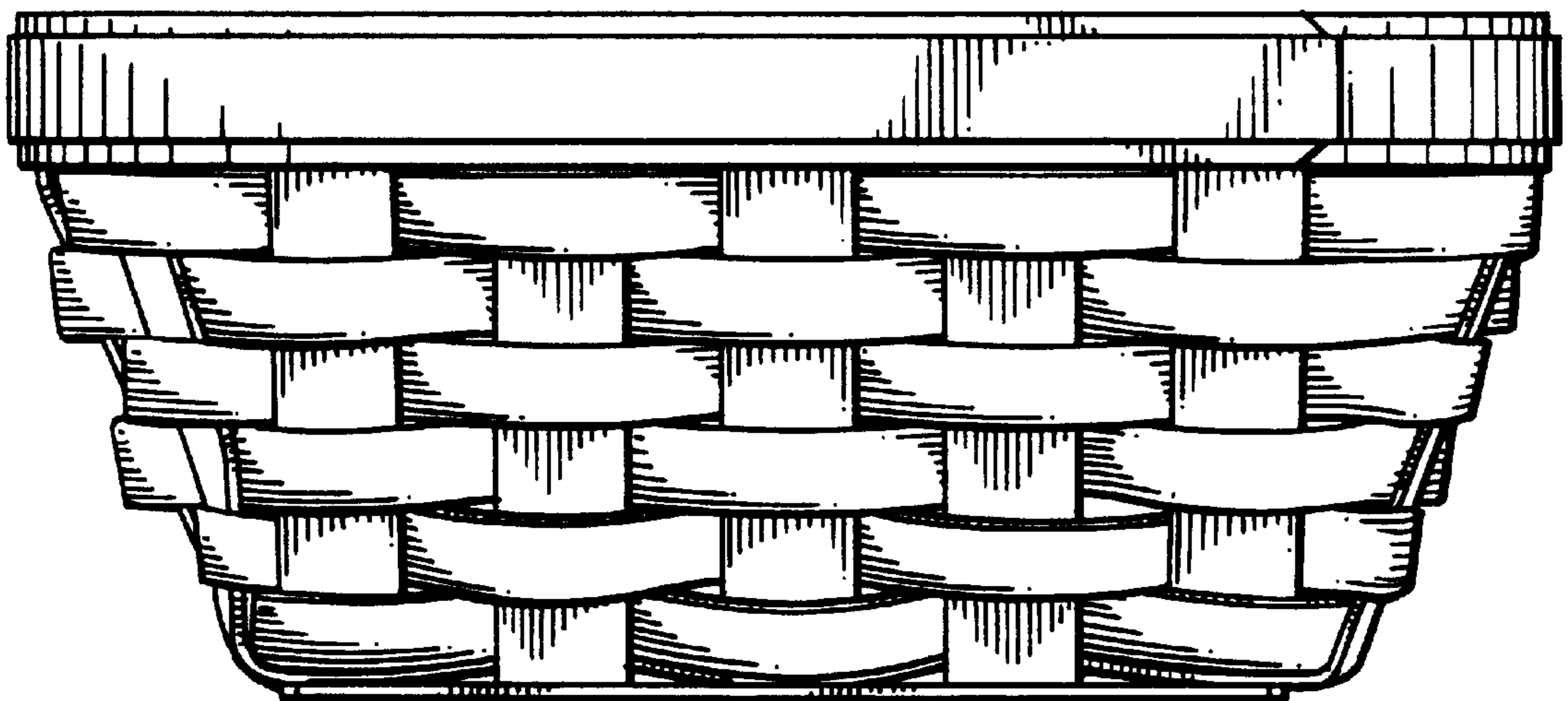


FIG. 5

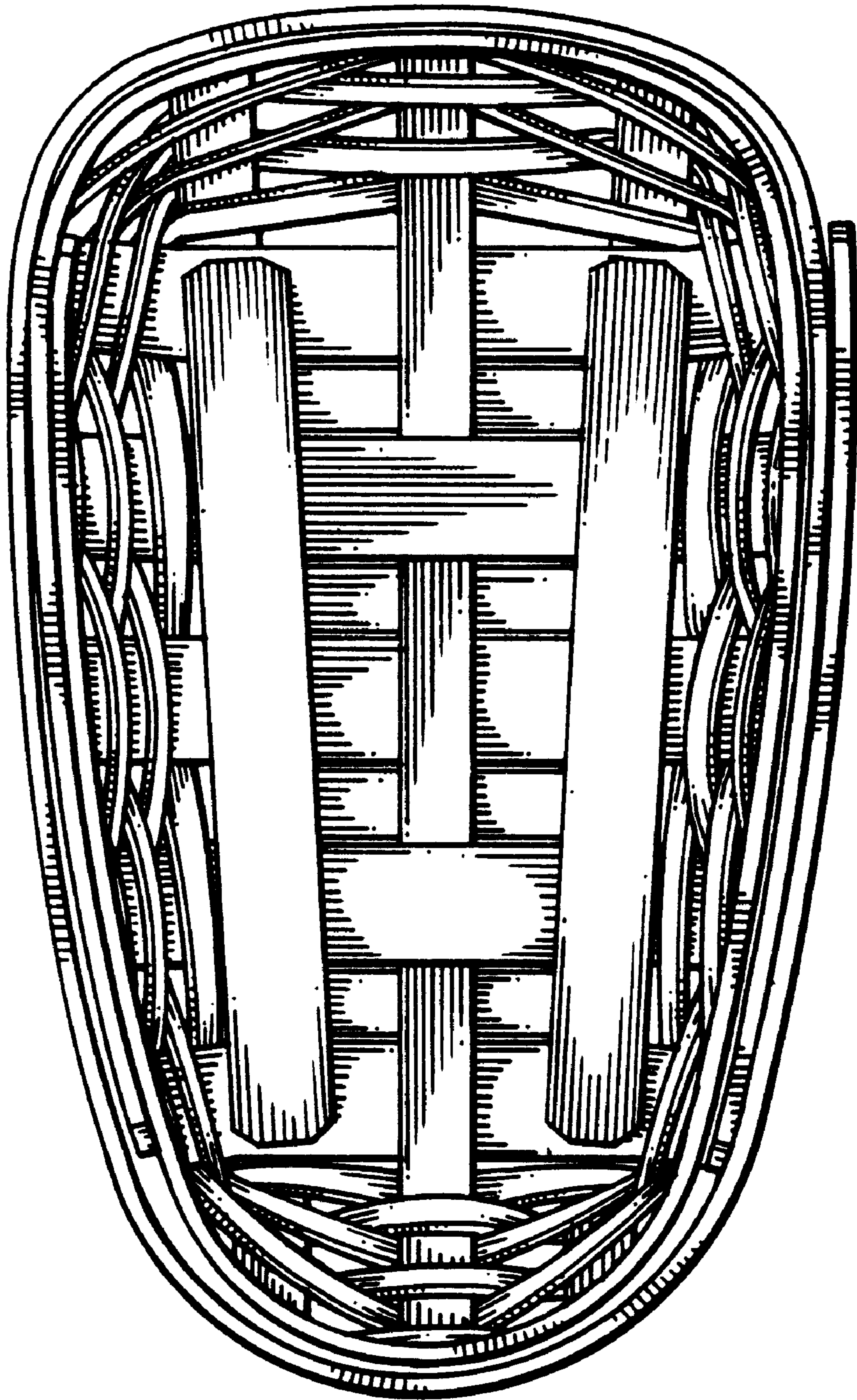


FIG.6

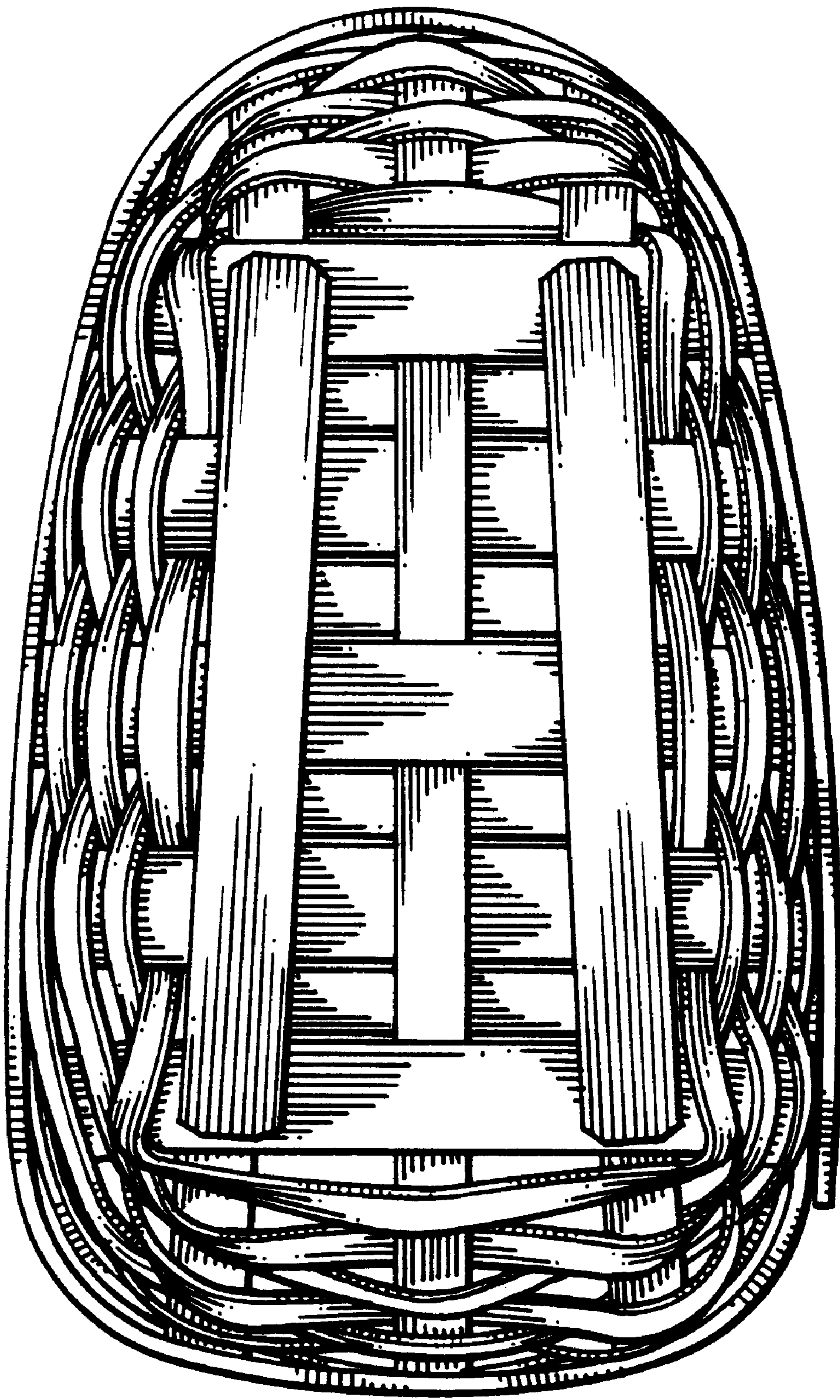


FIG. 7