



US00D431106S

# United States Patent [19]

Williams, Jr.

[11] Patent Number: Des. 431,106

[45] Date of Patent: \*\* Sep. 26, 2000

[54] GOGGLES CASE

[76] Inventor: James D. Williams, Jr., P.O. Box 1311, Homer, Ak. 99603

[\*\*] Term: 14 Years

[21] Appl. No.: 29/116,749

[22] Filed: Jan. 7, 2000

[51] LOC (7) Cl. .... 03-01

[52] U.S. Cl. .... D3/265; D3/219; D3/263

[58] Field of Search ..... D3/201, 215, 219, D3/265, 266; D16/330; 126/263.01; 206/5, 6; 224/67, 909, 682, 240

[56] References Cited

U.S. PATENT DOCUMENTS

D. 309,676	8/1990	Alroy	.....	D3/219
D. 333,037	2/1993	Dweck et al.	.....	D3/265
D. 341,482	11/1993	McMillan	.....	D3/265
D. 348,980	7/1994	Mathews	.....	D3/265
D. 380,086	6/1997	Brassard	.....	D3/215
5,261,582	11/1993	Mathews et al.	.....	224/240
5,294,031	3/1994	Volpei et al.	.....	224/682
5,738,082	4/1998	Page et al.	.....	126/263.01

Primary Examiner—Celia Murphy  
Attorney, Agent, or Firm—Thomas, Kayden, Horstemeyer & Risley

[57] CLAIM

The ornamental design for a goggles case with its straps, as shown and described.

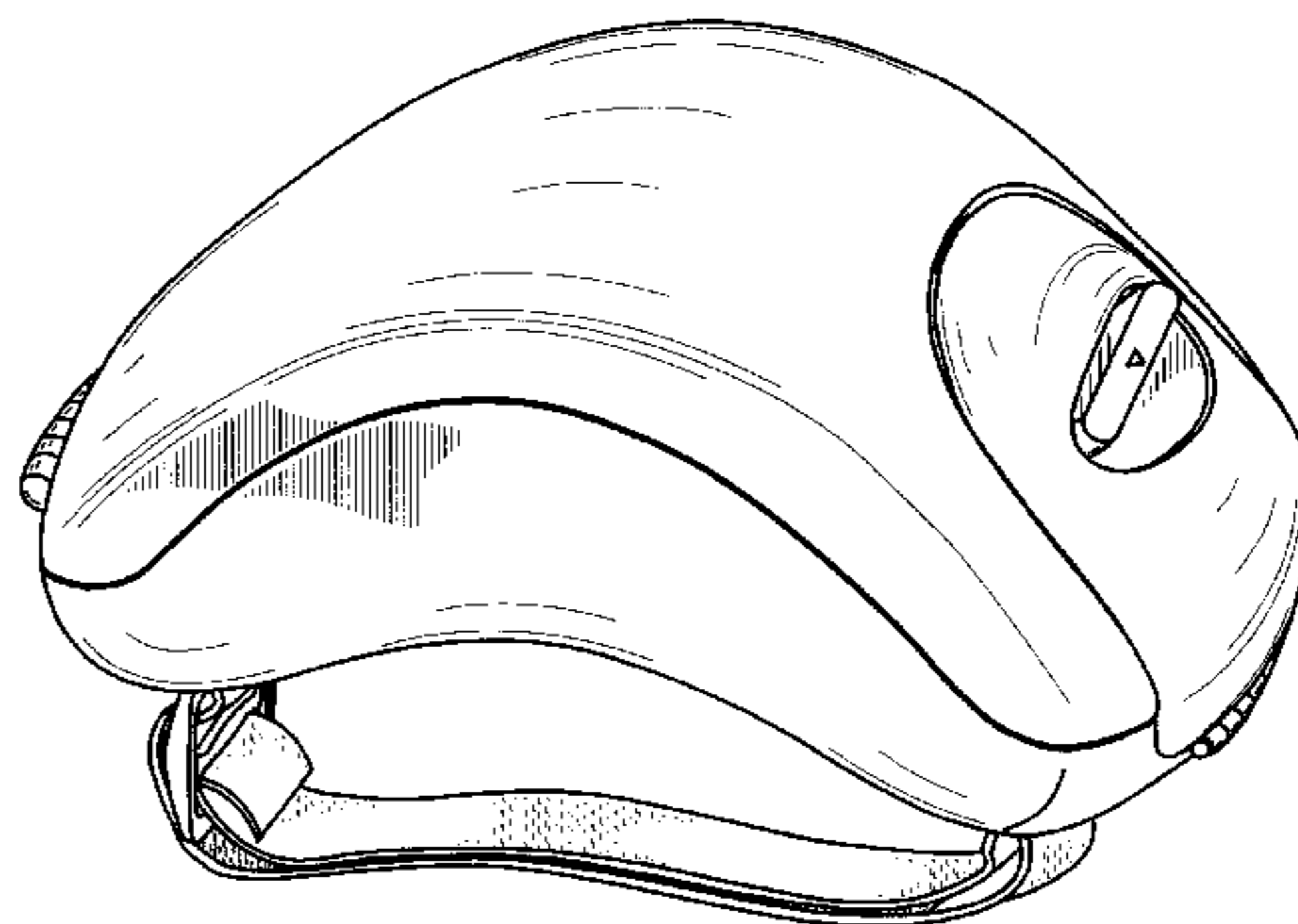
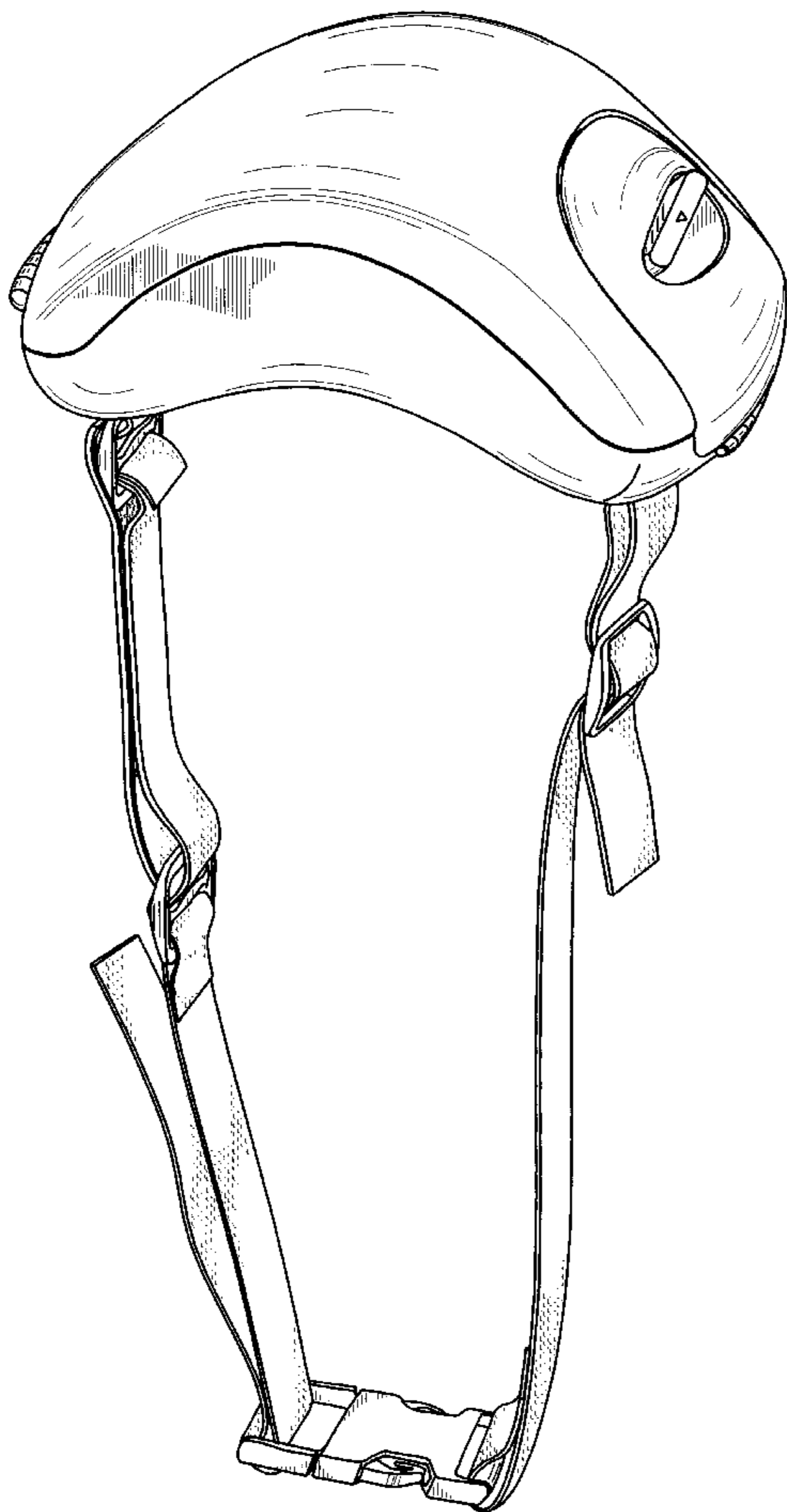
DESCRIPTION

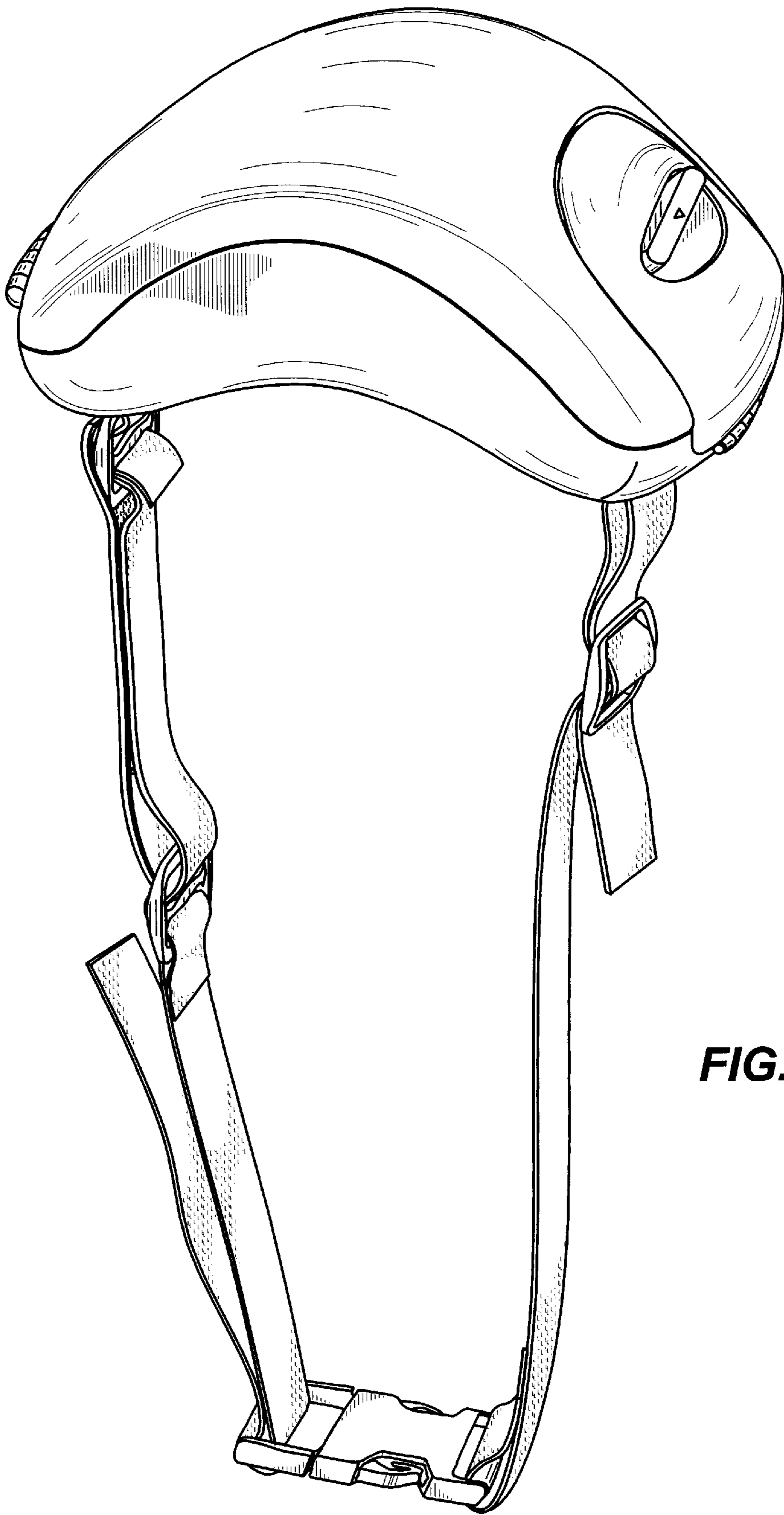
FIG. 1 is a perspective view of a goggles case showing my new design;  
 FIG. 2 is a top plan view thereof;  
 FIG. 3 is a left side elevational view thereof;  
 FIG. 4 is a right side elevational view thereof;  
 FIG. 5 is a bottom plan view thereof;  
 FIG. 6 is a front elevational view thereof;  
 FIG. 7 is a rear elevational view thereof;  
 FIG. 8 is a perspective view of an alternate embodiment of the design shown in FIG. 1;  
 FIG. 9 is a top view of FIG. 8;  
 FIG. 10 is a left side elevational view of FIG. 8;  
 FIG. 11 is a right side elevational view of FIG. 8;  
 FIG. 12 is a bottom plan view of FIG. 8; and,  
 FIG. 13 is a rear elevational view thereof.

The front view of the second embodiment is the same as that shown in FIG. 6.

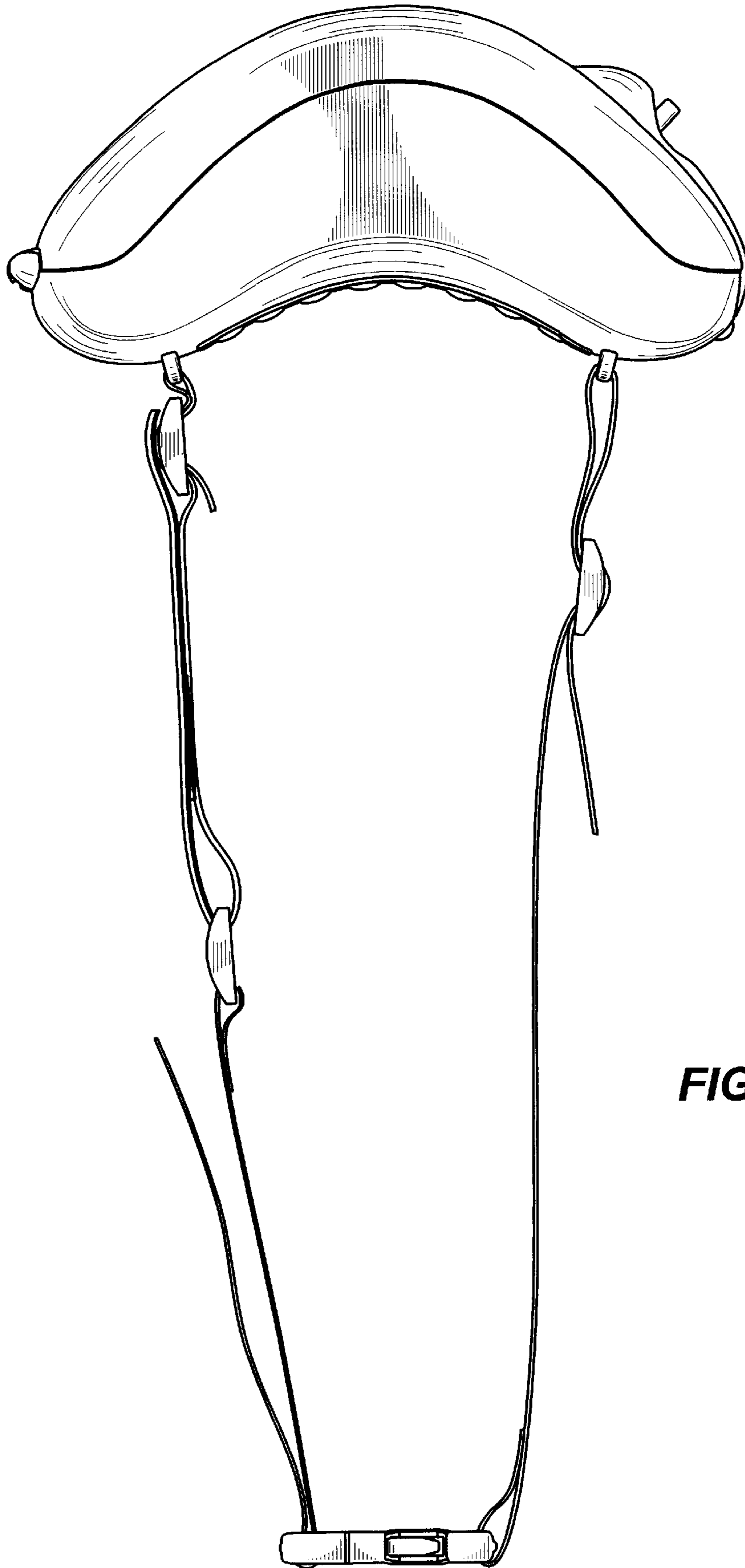
Any unshown portions of the goggles case are not part of the claimed design.

1 Claim, 7 Drawing Sheets

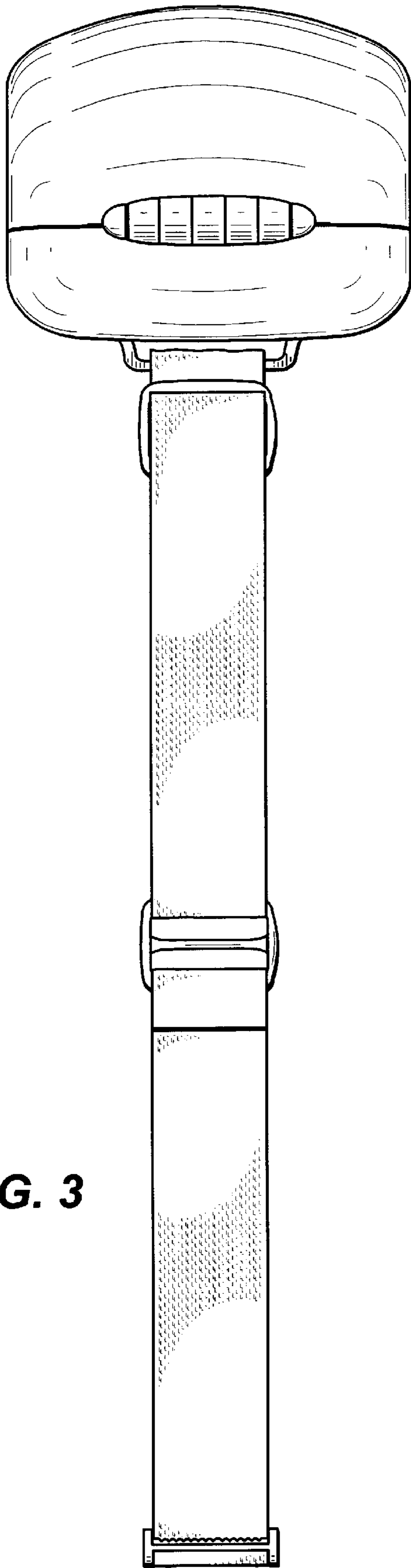




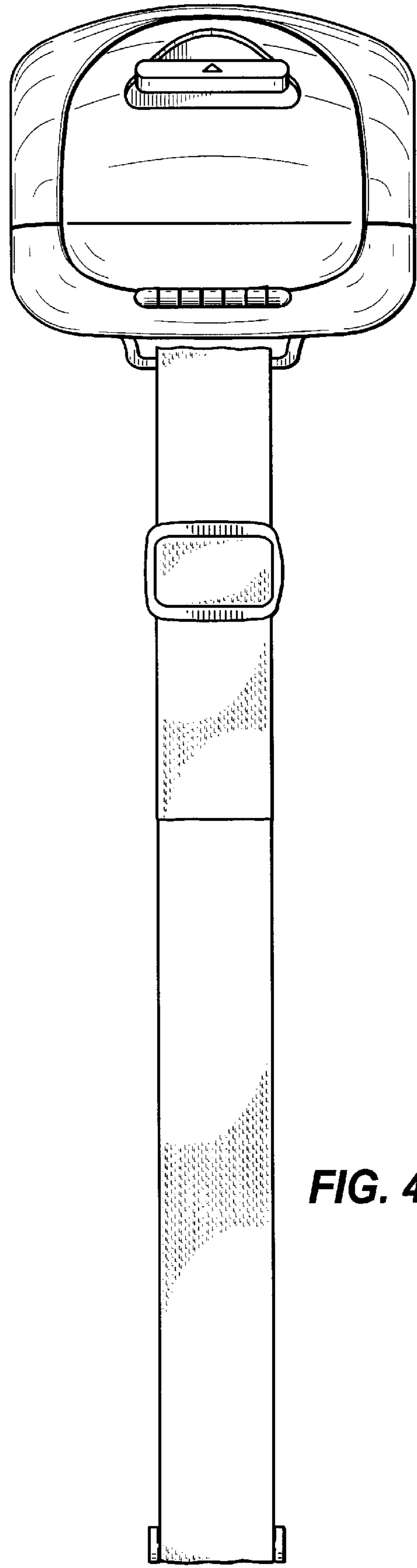
**FIG. 1**



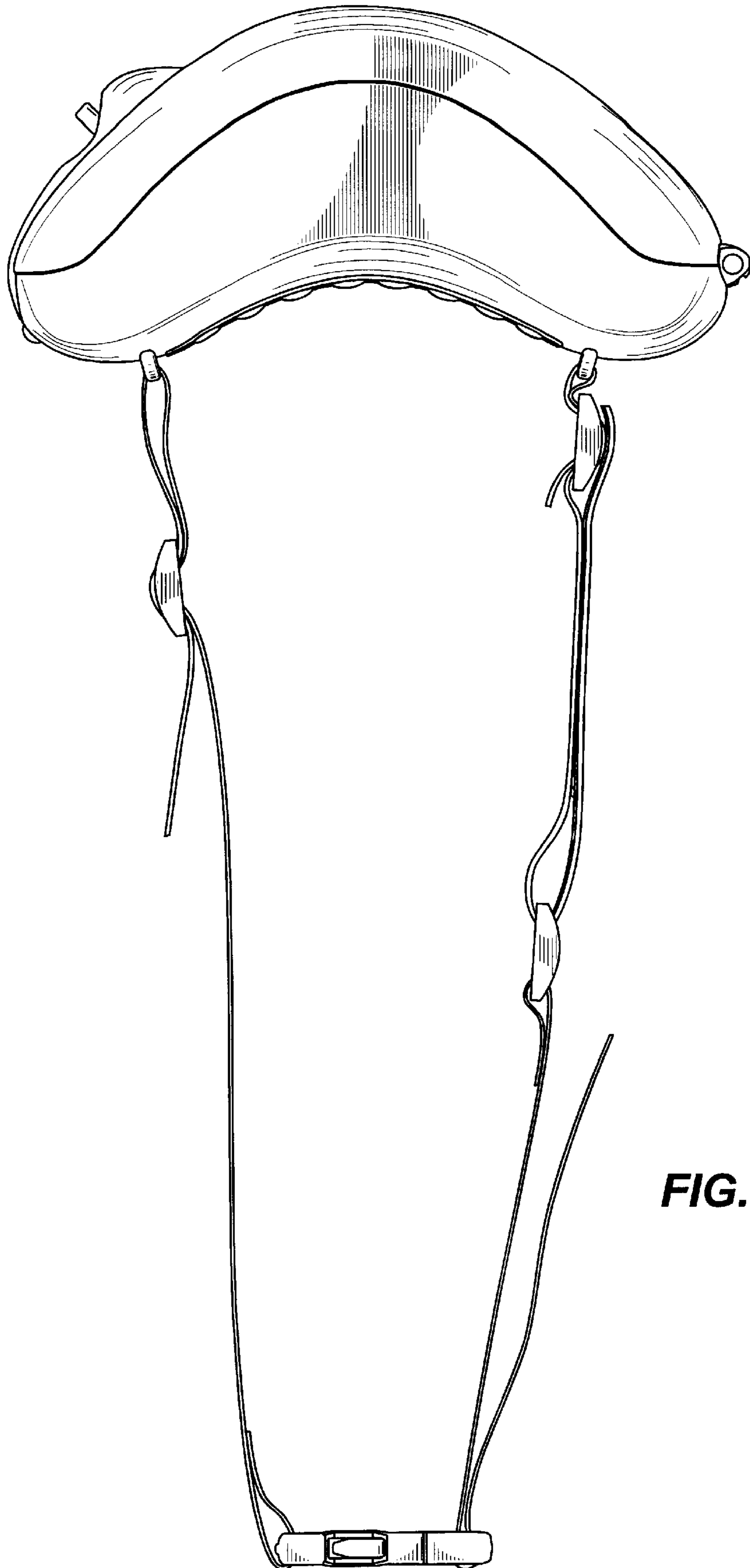
**FIG. 2**



**FIG. 3**

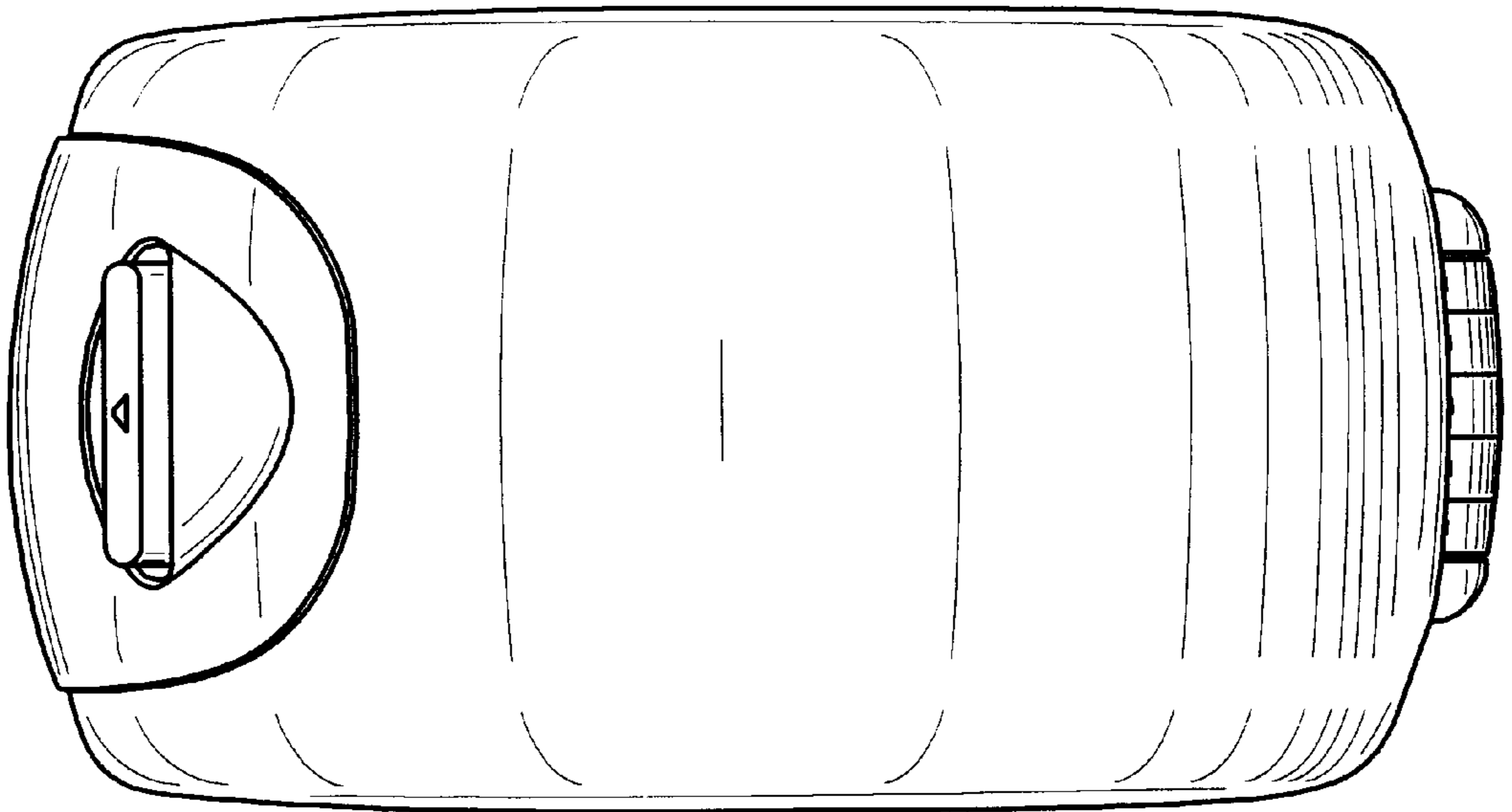


**FIG. 4**

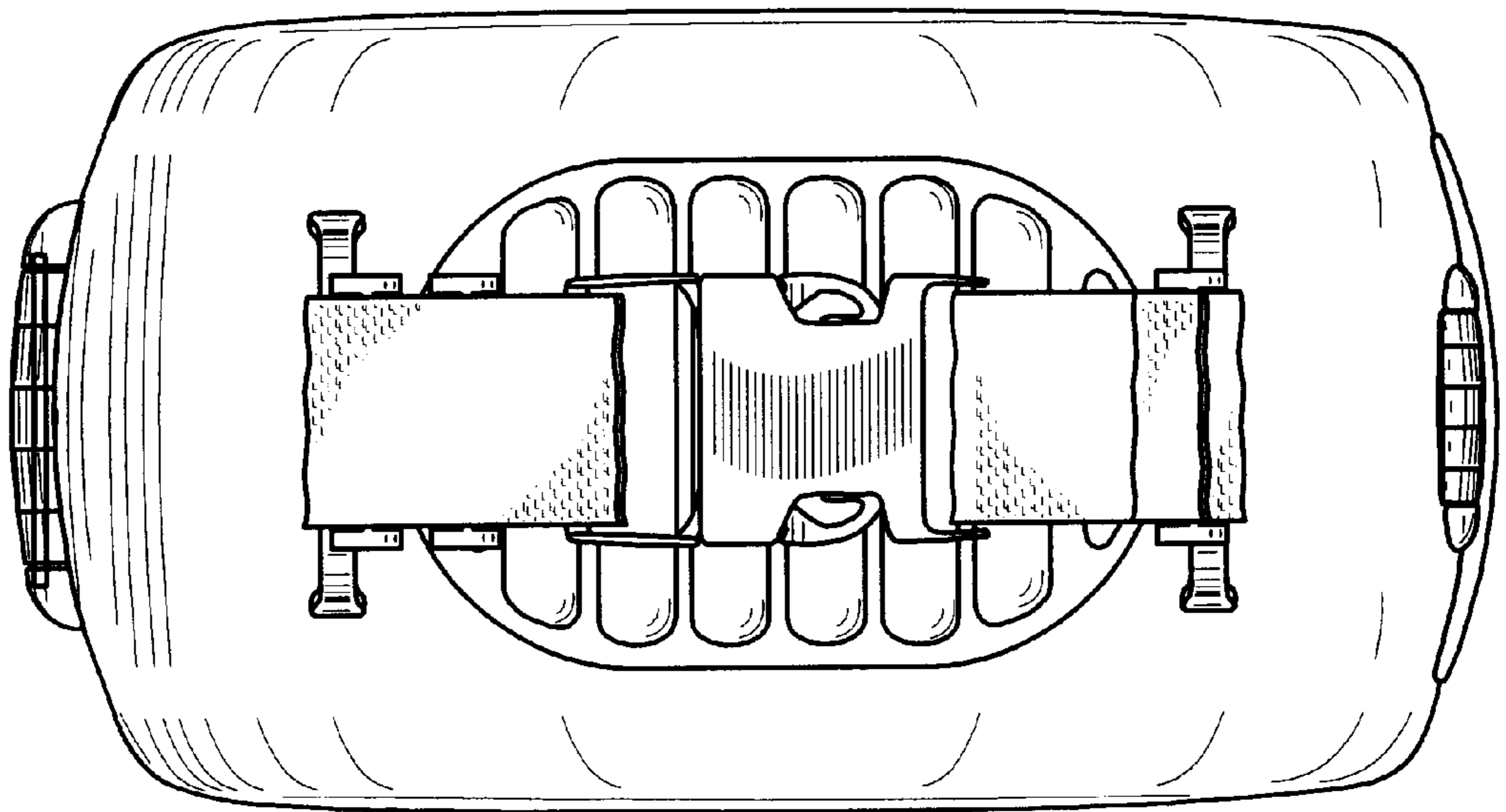


**FIG. 5**

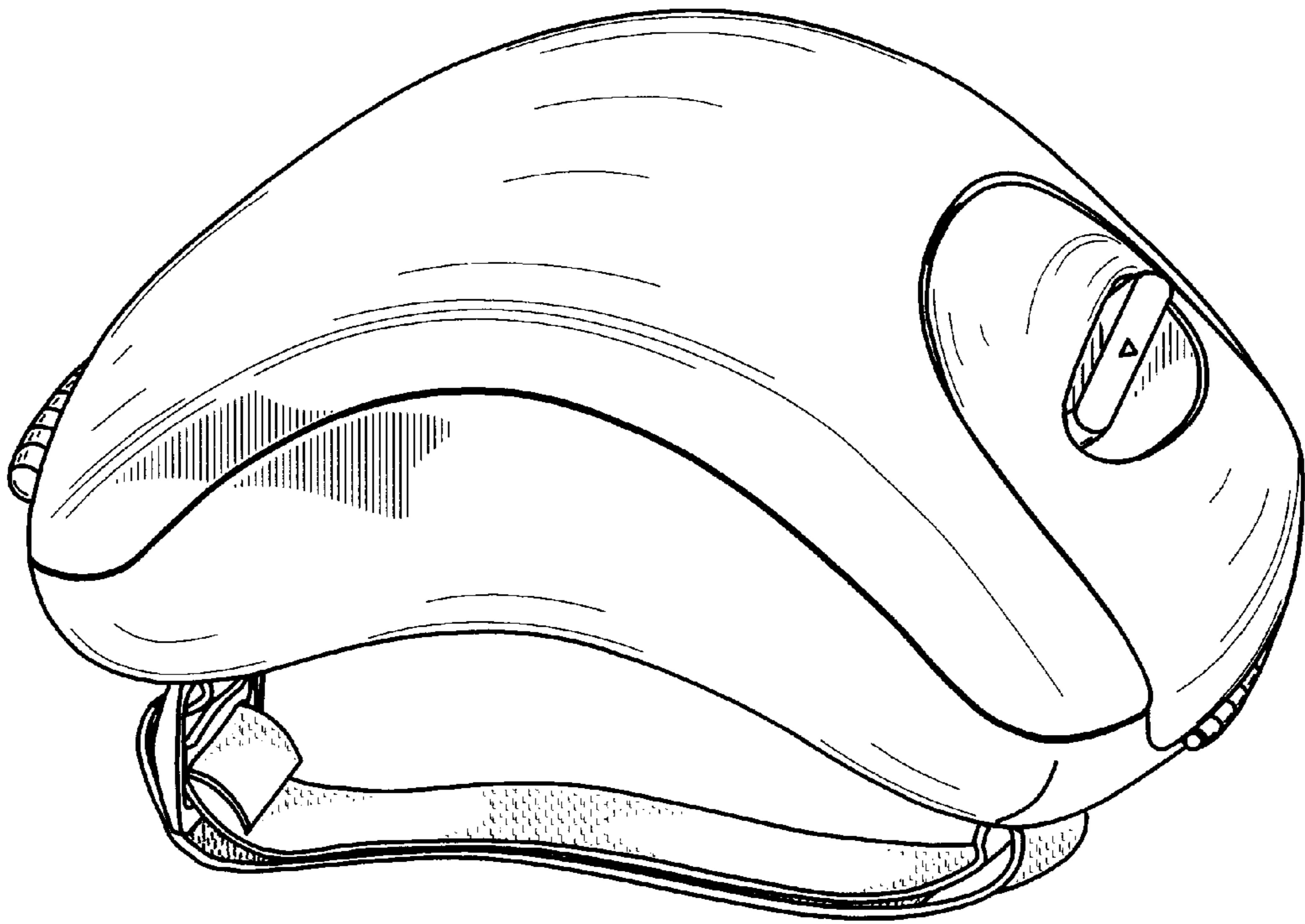




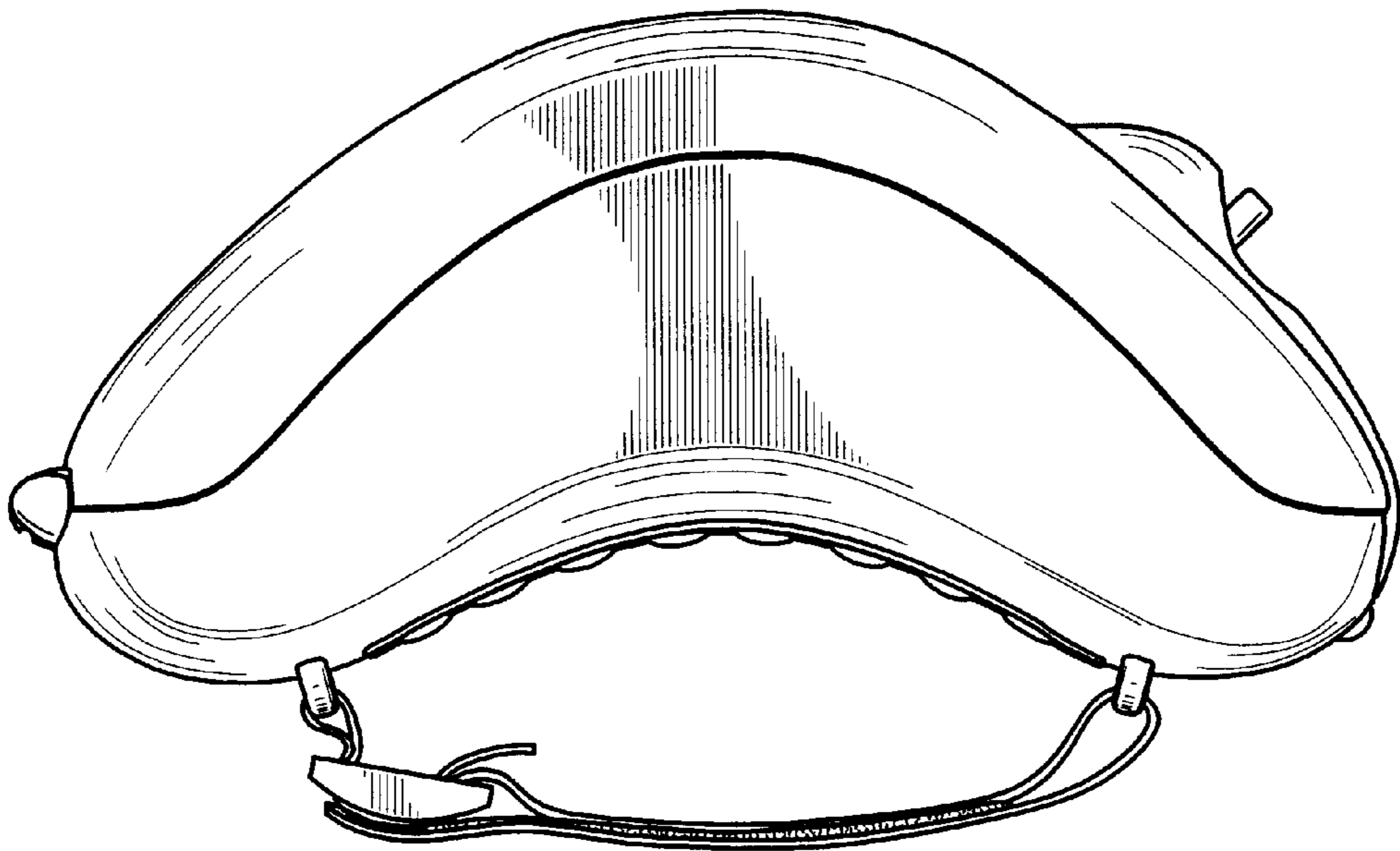
**FIG. 6**



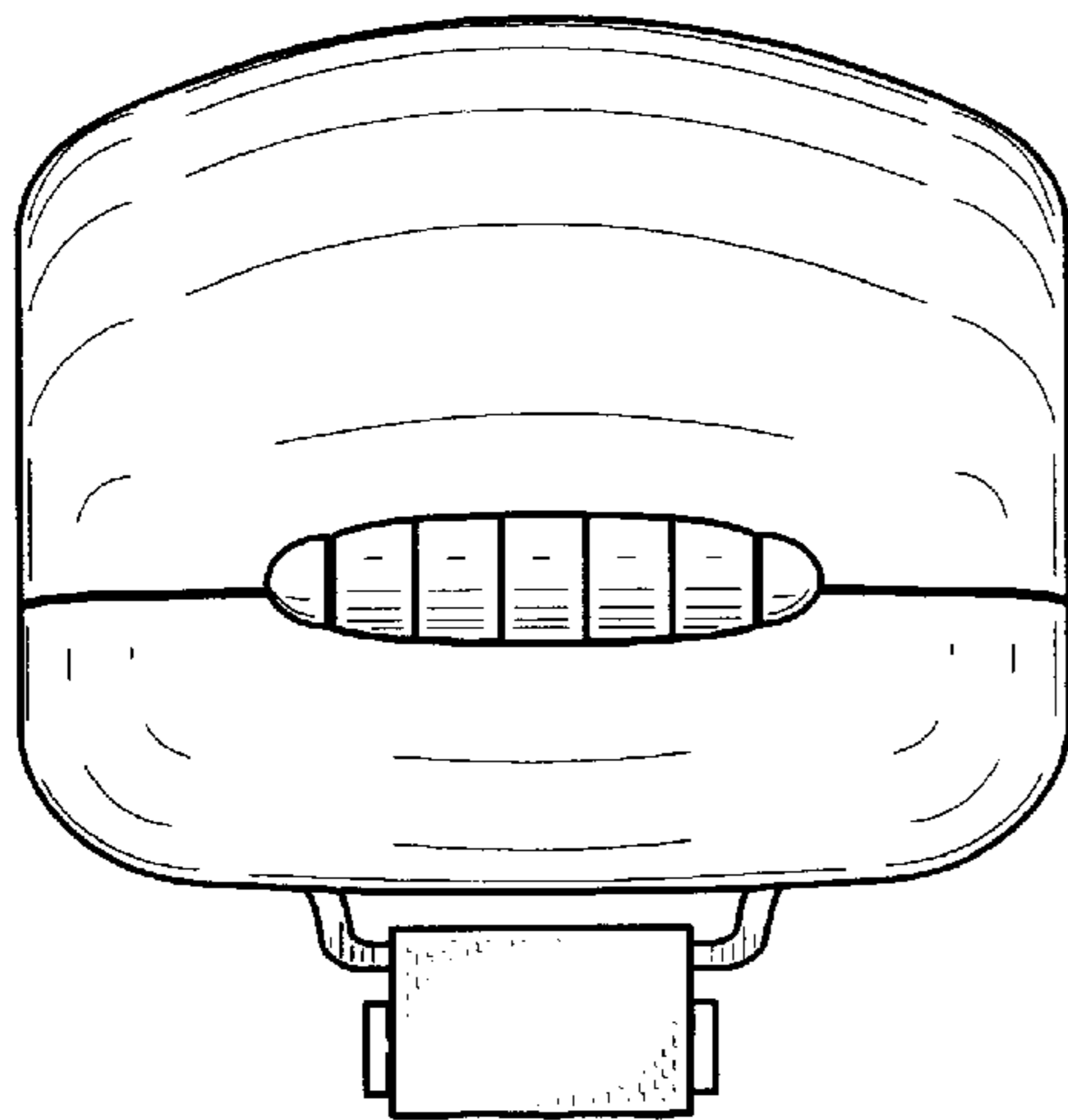
**FIG. 7**



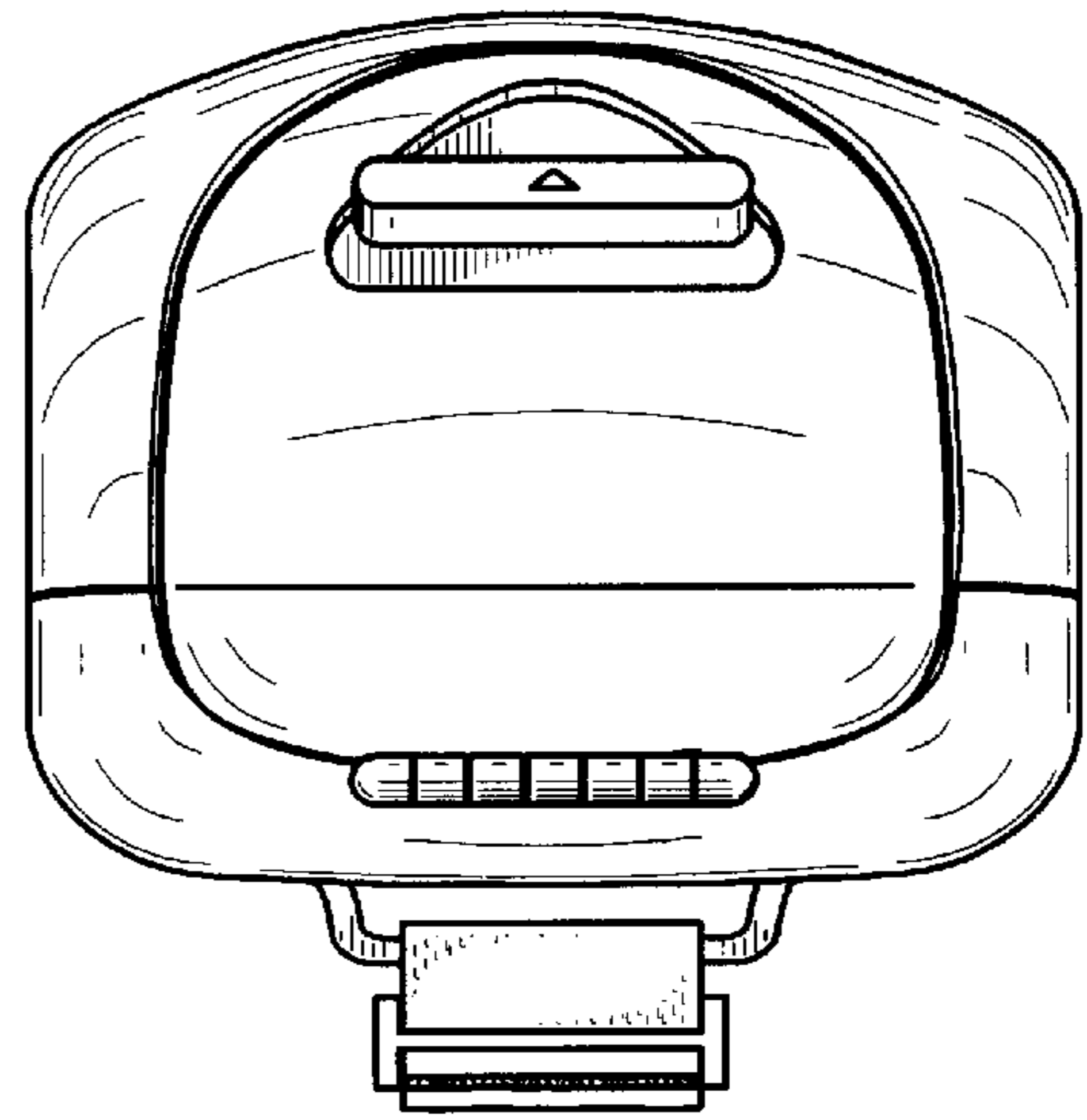
**FIG. 8**



**FIG. 9**

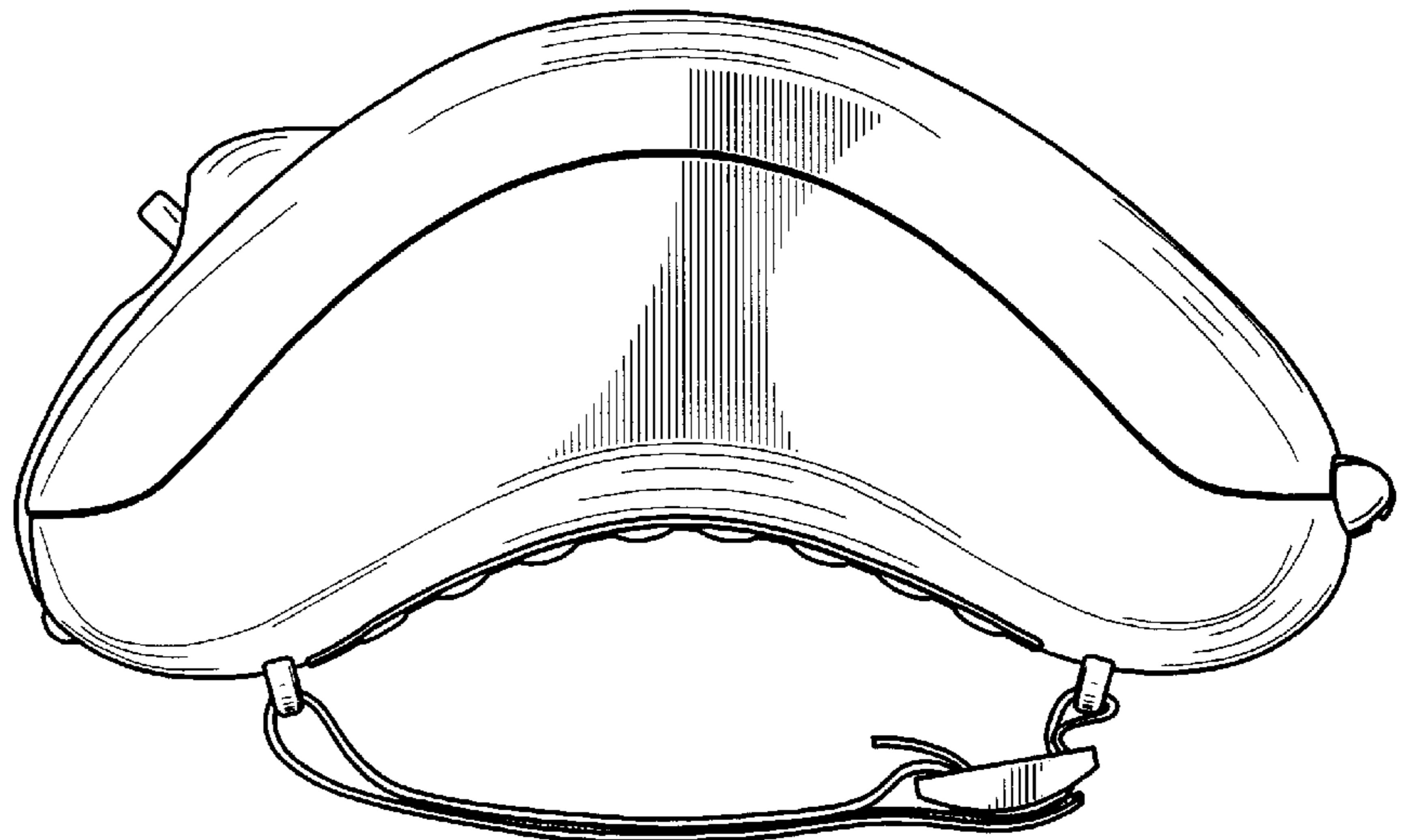


**FIG. 10**



**FIG. 11**

**FIG. 12**



**FIG. 13**

