



US00D431105S

United States Patent [19] Ling

[11] **Patent Number: Des. 431,105**

[45] **Date of Patent: ** Sep. 26, 2000**

[54] **UTILITY TOOL CARD**

[75] Inventor: **Kun Hoa Ling**, Taipei, Taiwan

[73] Assignee: **Aemity World Inc.**, Taipei, Taiwan

[**] Term: **14 Years**

[21] Appl. No.: **29/112,578**

[22] Filed: **Oct. 21, 1999**

[51] **LOC (7) Cl.** **03-01**

[52] **U.S. Cl.** **D3/228**

[58] **Field of Search** D3/228, 215, 273,
D3/201, 203, 205, 905, 20, 221; 224/901,
904, 240, 245, 236, 918; D9/415

[56] **References Cited**

U.S. PATENT DOCUMENTS

- D. 272,201 1/1984 Garcia D3/228
- D. 332,347 1/1993 Raadt et al. D3/20
- D. 334,534 4/1993 Friz et al. D9/415

- D. 385,107 10/1997 Hsueh D3/228
- D. 415,345 10/1999 Duran D3/228
- 4,645,105 2/1987 Plumbidge 224/918

Primary Examiner—Louis S. Zarfaz
Assistant Examiner—Catherine R. Oliver
Attorney, Agent, or Firm—Dougherty & Troxell

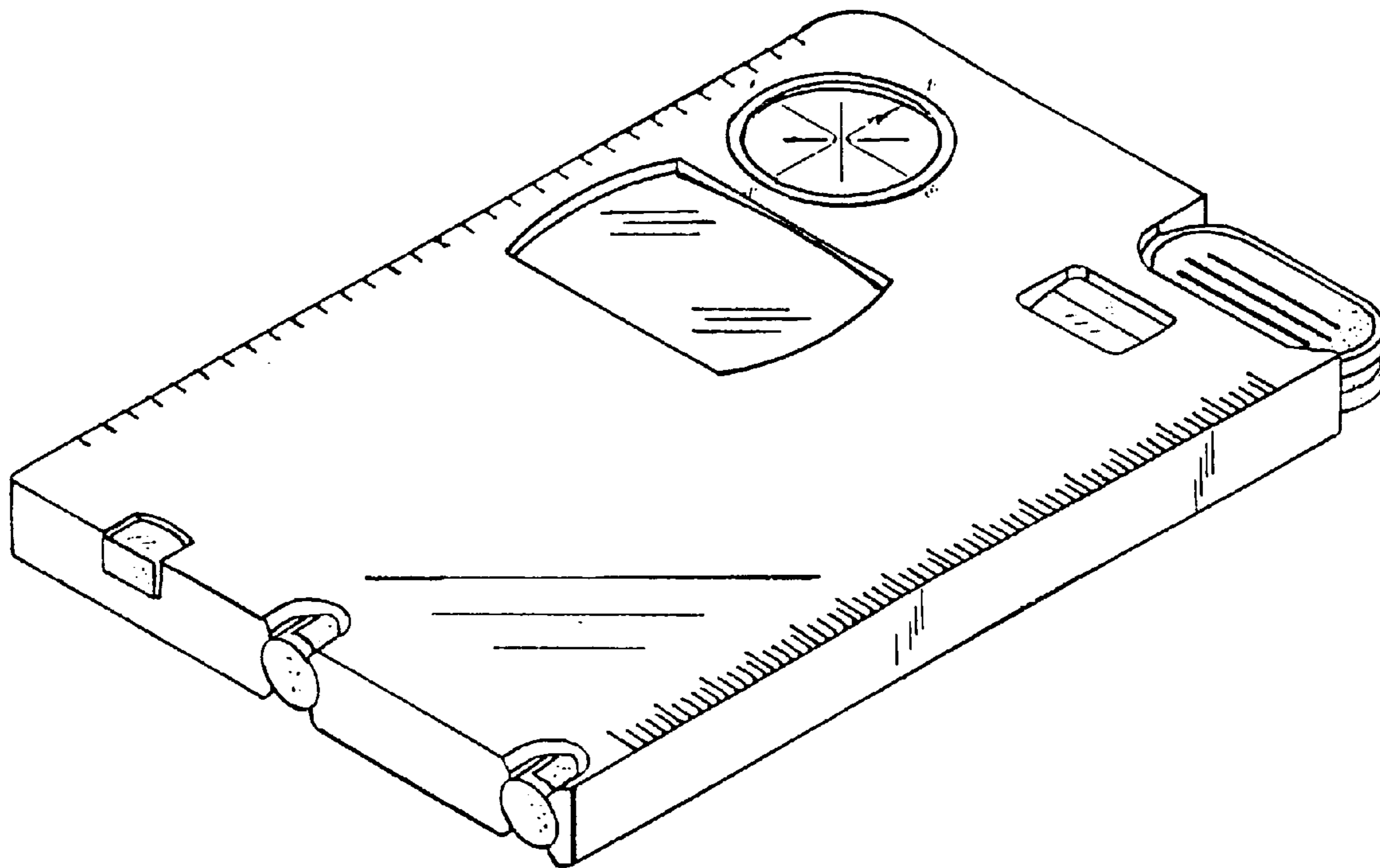
[57] **CLAIM**

The ornamental design for a utility tool card, as shown and described.

DESCRIPTION

FIG. 1 is a front elevational view of a utility tool card showing my new design;
FIG. 2 is a left side elevational view thereof;
FIG. 3 is a right side elevational view thereof;
FIG. 4 is a top plan view thereof;
FIG. 5 is a bottom plan view thereof;
FIG. 6 is a rear elevational view thereof; and,
FIG. 7 is a perspective view thereof.

1 Claim, 3 Drawing Sheets



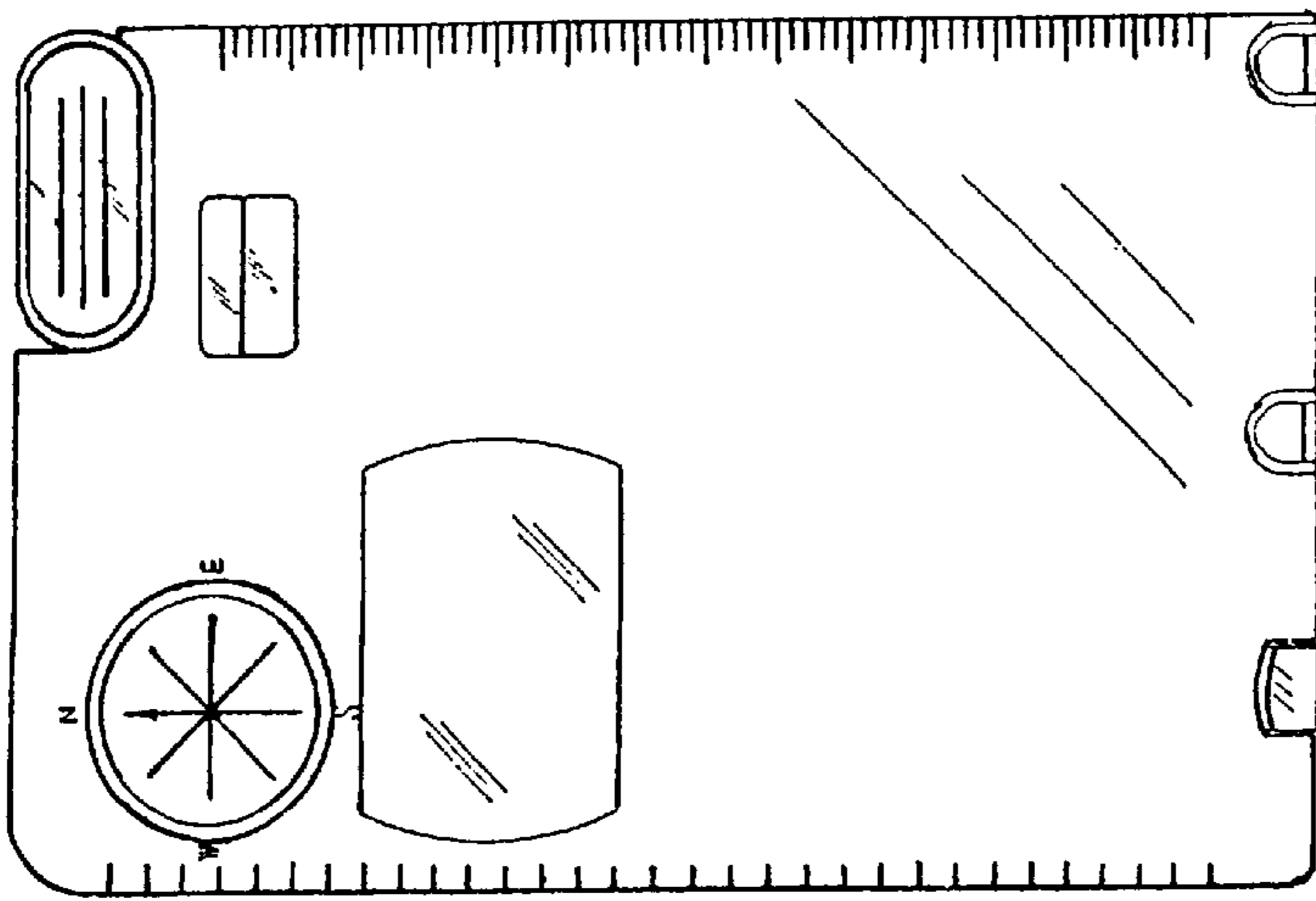


Fig. 1

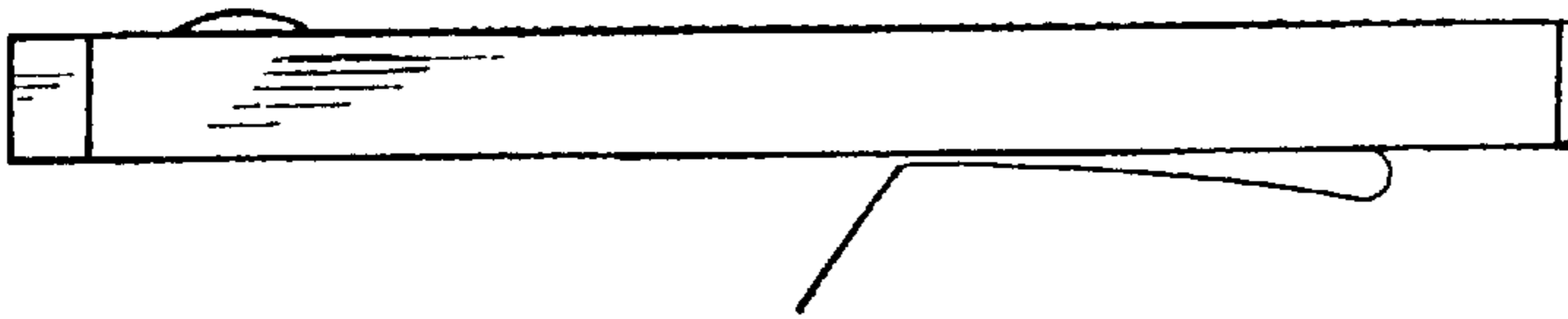


Fig. 2

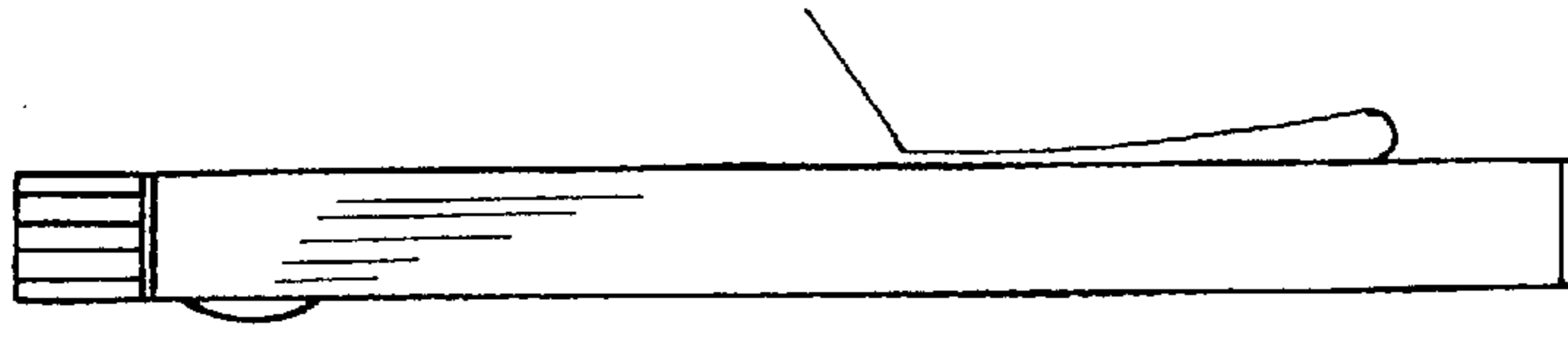


Fig. 3

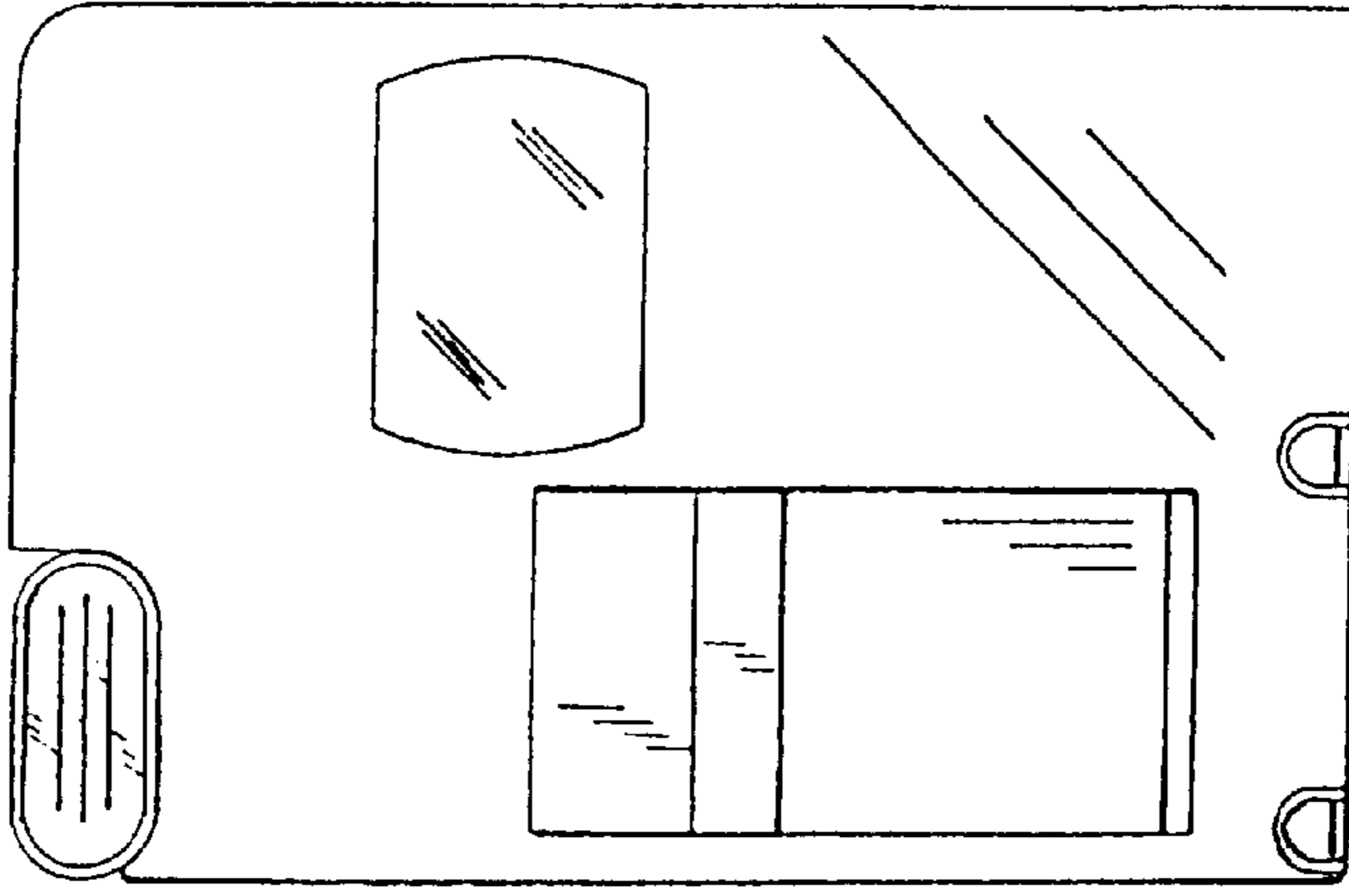


Fig.6

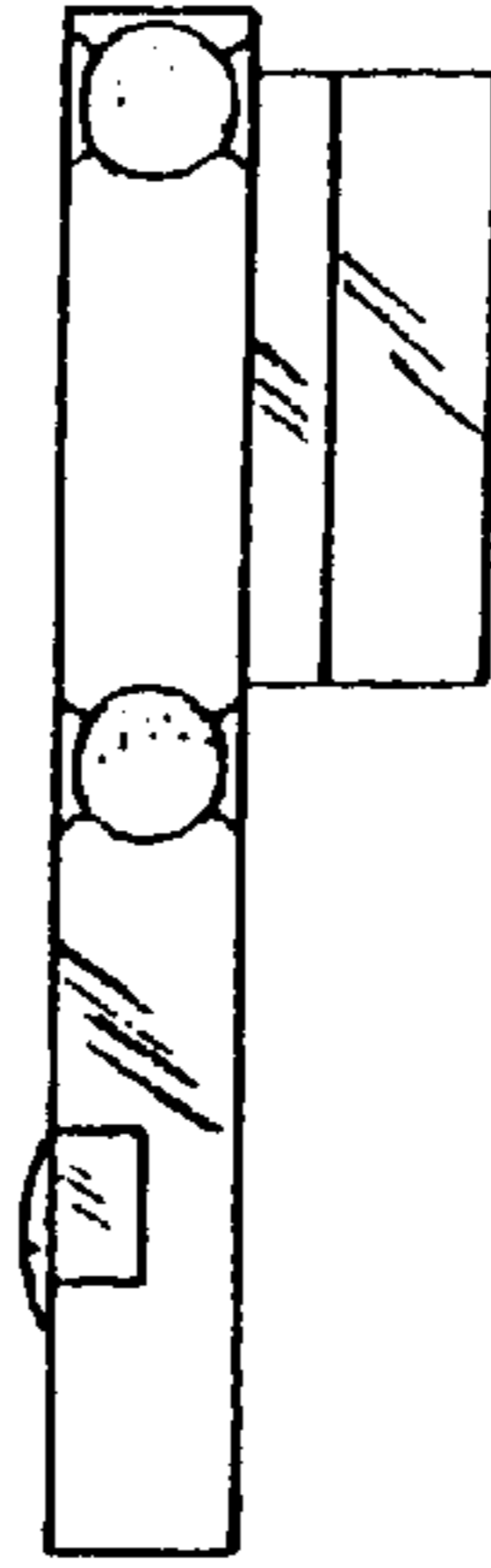


Fig.5

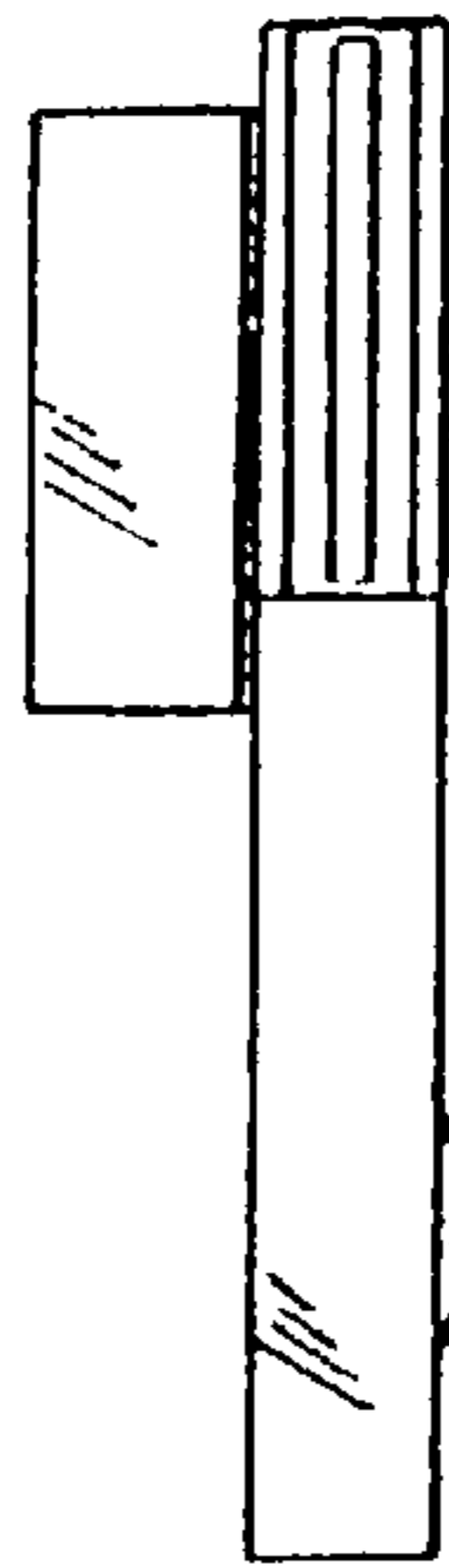


Fig.4

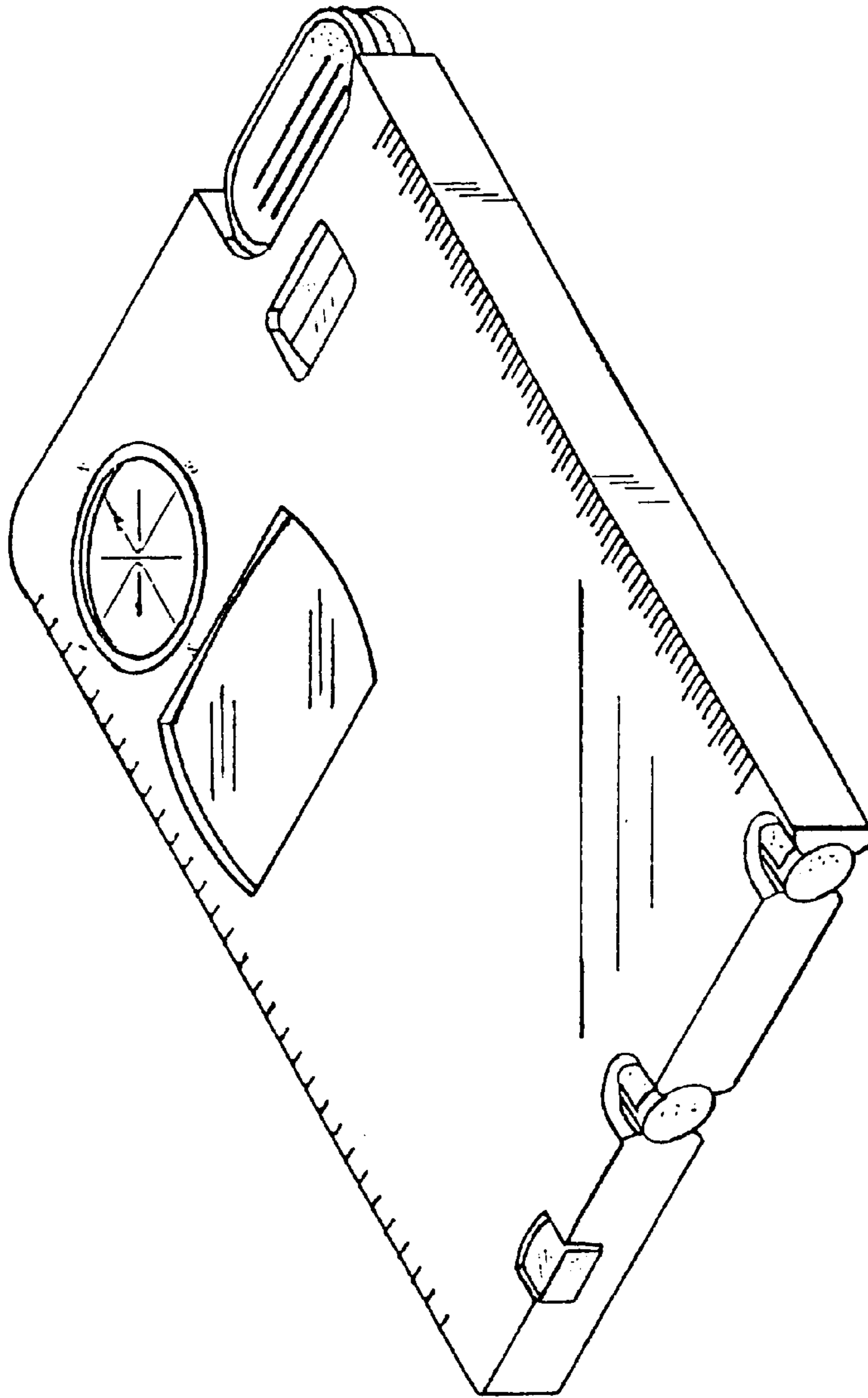


Fig. 7