



US00D431099S

United States Patent [19] Douglas

[11] Patent Number: **Des. 431,099**

[45] Date of Patent: **** Sep. 19, 2000**

[54] **HAMPER**

5,842,595 12/1998 Williams 220/908
5,984,134 11/1999 Mario 220/908 X

[75] Inventor: **Patrick Douglas, Wooster, Ohio**

OTHER PUBLICATIONS

[73] Assignee: **Rubbermaid Incorporated, Wooster, Ohio**

Sterilite Corporation, "Laundry Hamper" advertisement, 1 page, (1991); P.O. Box 524, Townsend, MA.

[**] Term: **14 Years**

Tucker Housewares, catalog p. 26 "Bath Products", (1991); 25 Tucker Drive, Leominster, MA.

[21] Appl. No.: **29/088,424**

Tucker Housewares, catalog page, (1992); 25 Tucker Drive, Leominster, MA.

[22] Filed: **May 22, 1998**

Curver, catalog p. 12, (1991); Takkebijsters 75, Postbus 6810, 4802 HV Breda, The Netherlands.

[51] **LOC (7) Cl.** **07-07**

[52] **U.S. Cl.** **D32/37**

[58] **Field of Search** D32/37; D34/1, D34/5, 2, 4; 220/908, 909, 910, 911; 280/47.26

Dupol-Rubbermaid, GmbH, catalog p. 2, (1989); An der Trift 63, D06072 Drieieich, West Germany.

Rubbermaid Incorporated, Home Products Division, catalog p. 26, (1990); 1147 Akron Road, Wooster, Ohio.

[56] **References Cited**

Primary Examiner—Susan J. Lucas

Assistant Examiner—Cynthia E. Ramirez

Attorney, Agent, or Firm—Renner, Kenner, Greive, Boback, Taylor & Weber

U.S. PATENT DOCUMENTS

D. 229,663	12/1973	Morita	D32/37
D. 265,261	6/1982	Gerber	D32/37
D. 331,651	12/1992	Nilson	D34/5
D. 332,848	1/1993	Williams	D34/5
D. 338,923	8/1993	Ran	D34/5 X
D. 342,365	12/1993	Conaway et al.	D32/37
D. 344,167	2/1994	Hobson et al.	D32/37
D. 344,823	3/1994	Wilgus et al.	D32/37
D. 348,127	6/1994	Van Berne	D32/37
D. 362,931	10/1995	Brightbill et al.	D32/37
D. 362,933	10/1995	Calmeise	D32/37
D. 384,455	9/1997	O'Neil et al.	D32/37
D. 409,806	5/1999	France	D32/37
D. 419,734	1/2000	Adams	D32/37
D. 421,323	2/2000	Douglas et al.	D32/37
4,953,744	9/1990	Koyama	220/908
5,242,074	9/1993	Conaway et al.	220/254
5,511,682	4/1996	Pace	220/908
5,511,807	4/1996	Snyder	280/47.26

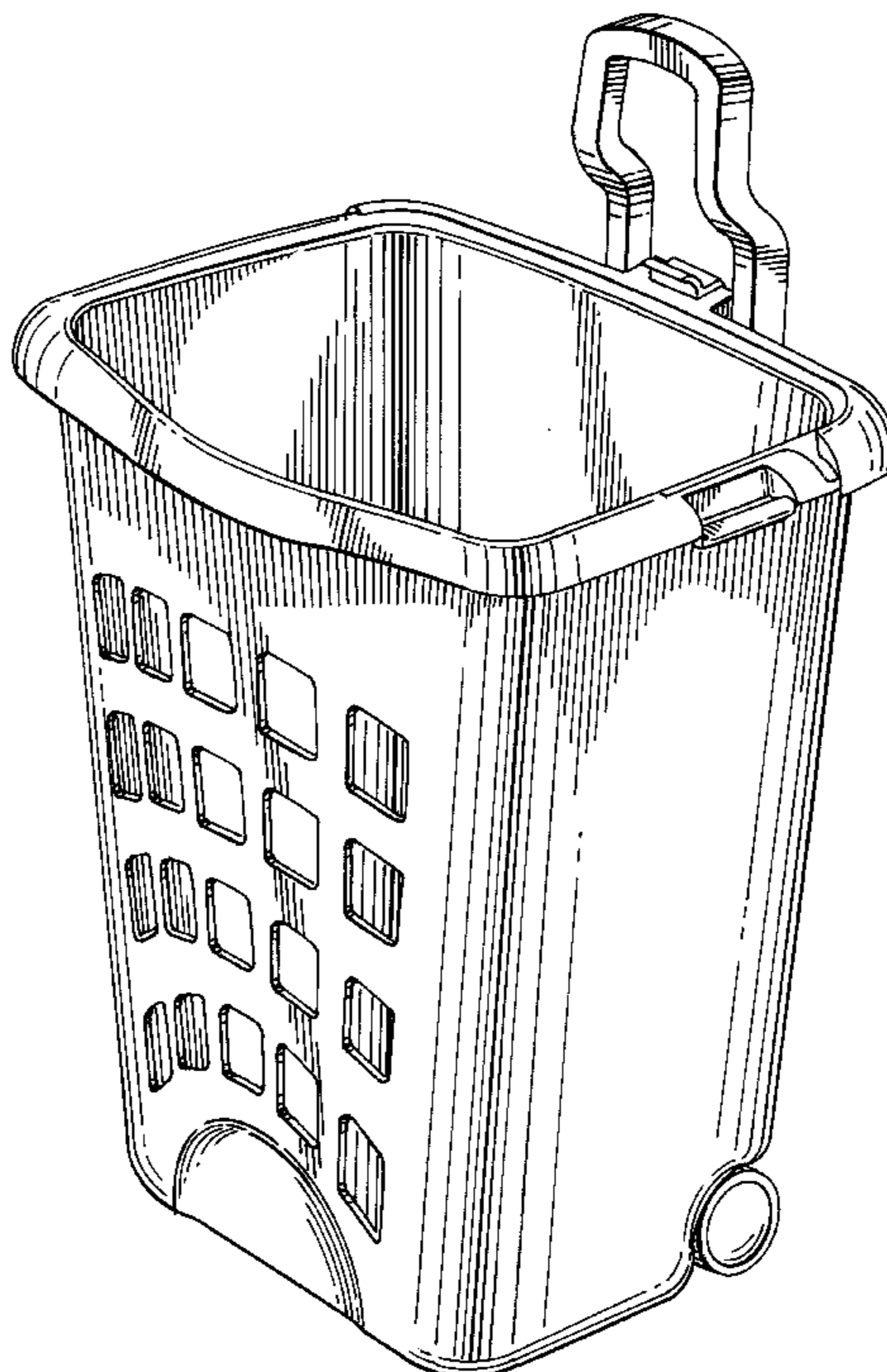
[57] **CLAIM**

The ornamental design for a hamper, as shown and described.

DESCRIPTION

FIG. 1 is a front, top, right side perspective view of a hamper showing my new design;
FIG. 2 is a front elevational view thereof;
FIG. 3 is a rear elevational view thereof;
FIG. 4 is a right side elevational view thereof;
FIG. 5 is a left side elevational view thereof;
FIG. 6 is a top plan view thereof; and,
FIG. 7 is a bottom plan view thereof.

1 Claim, 7 Drawing Sheets



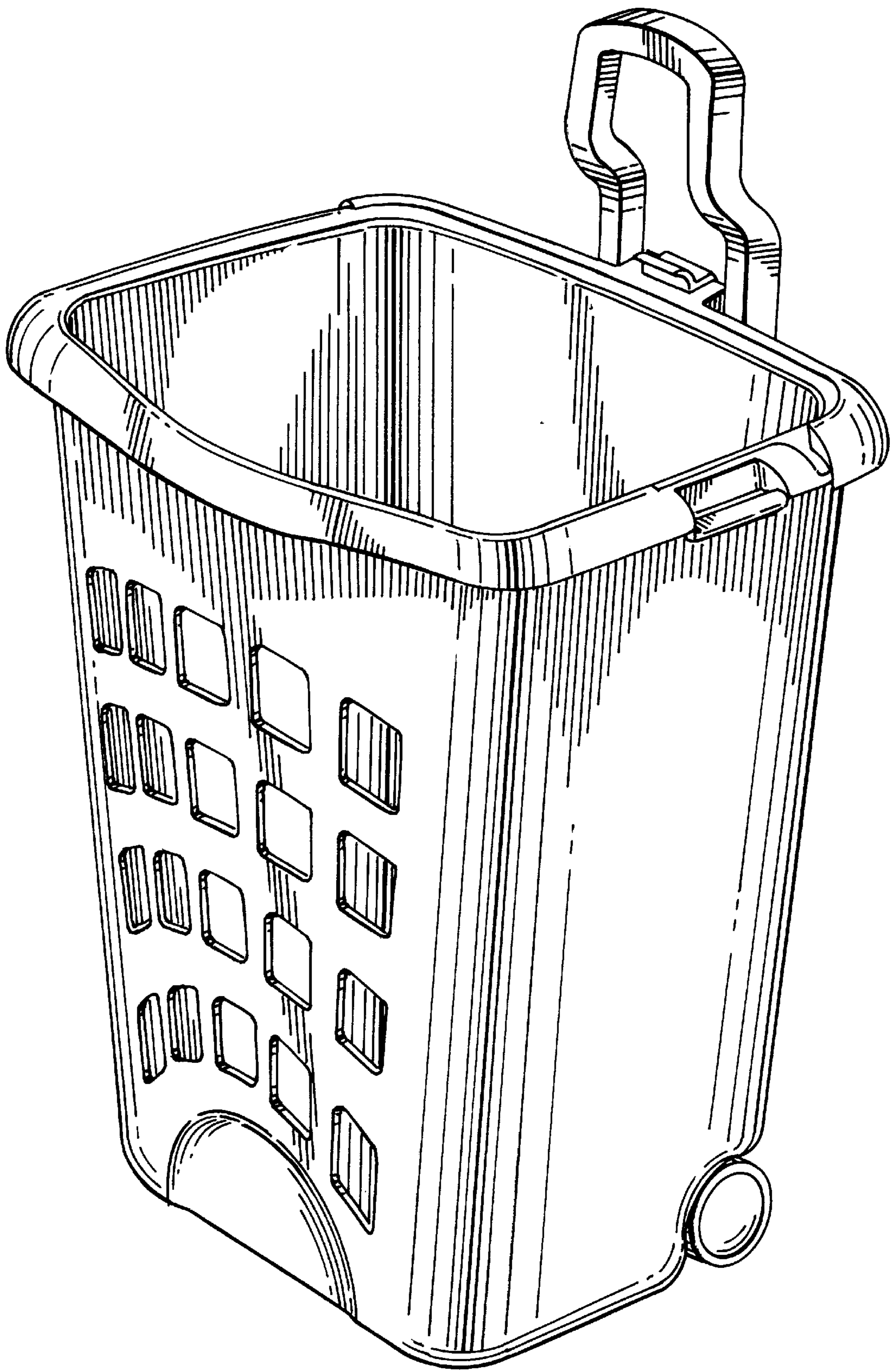


FIG. 1

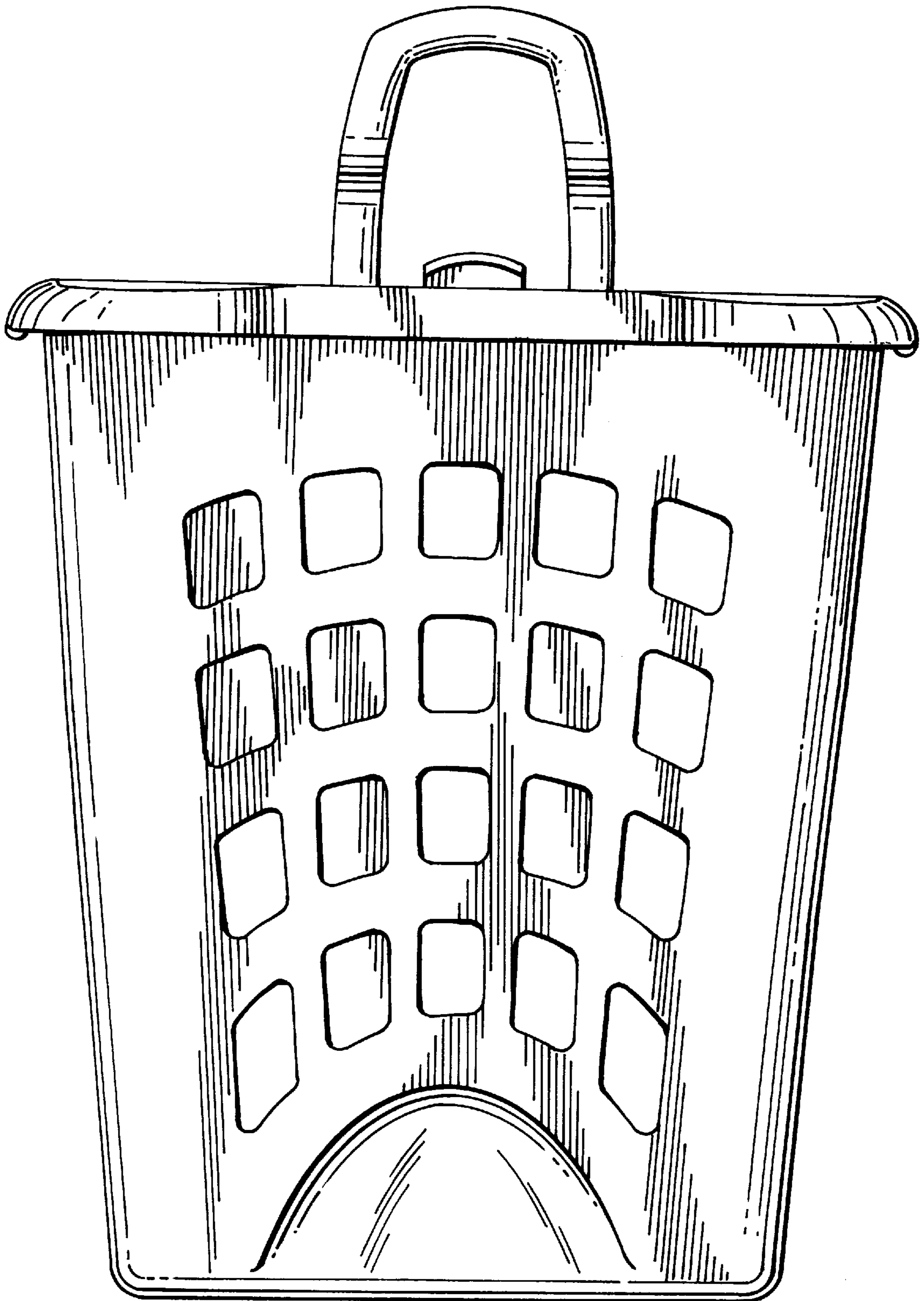


FIG. 2

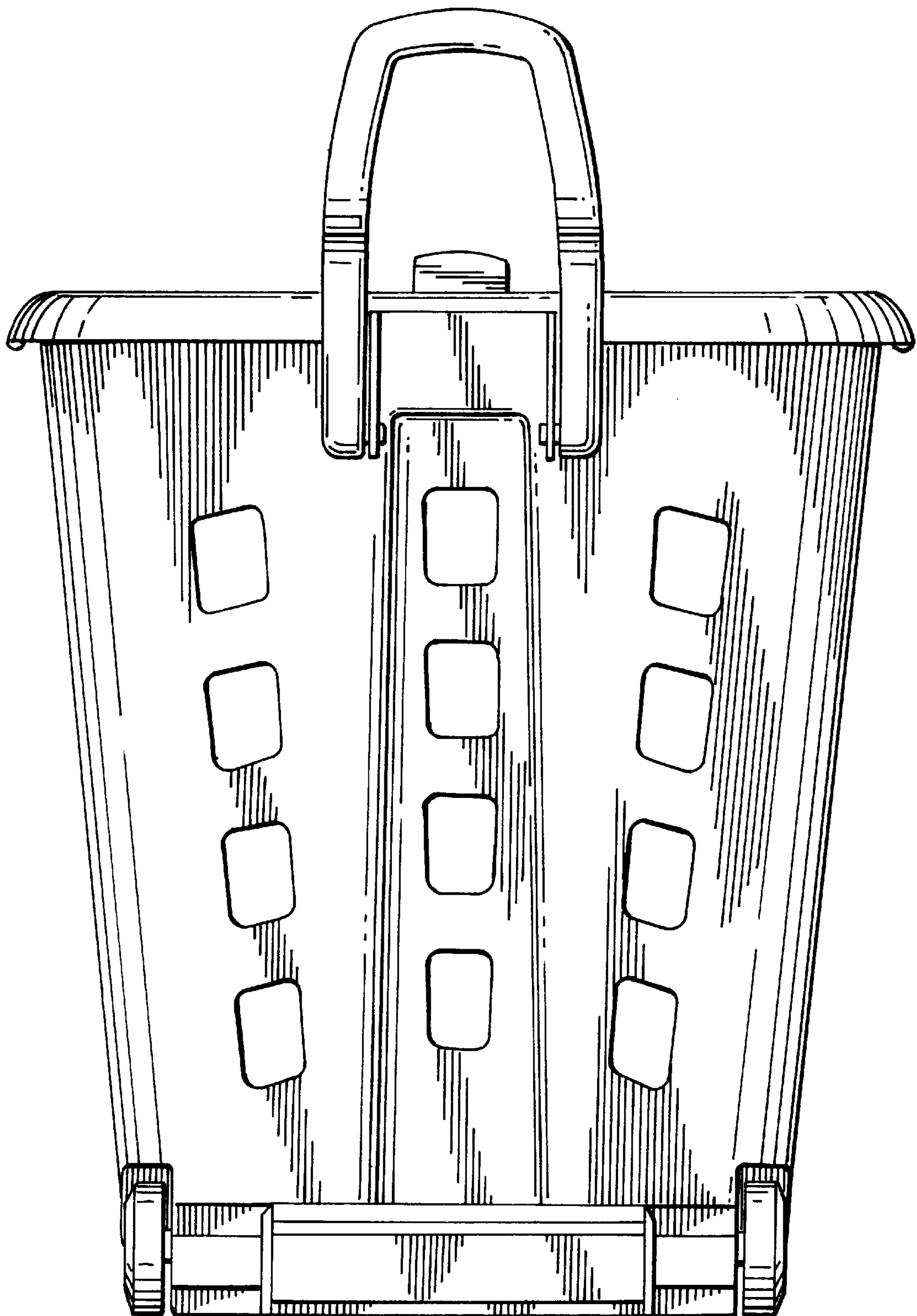


FIG. 3

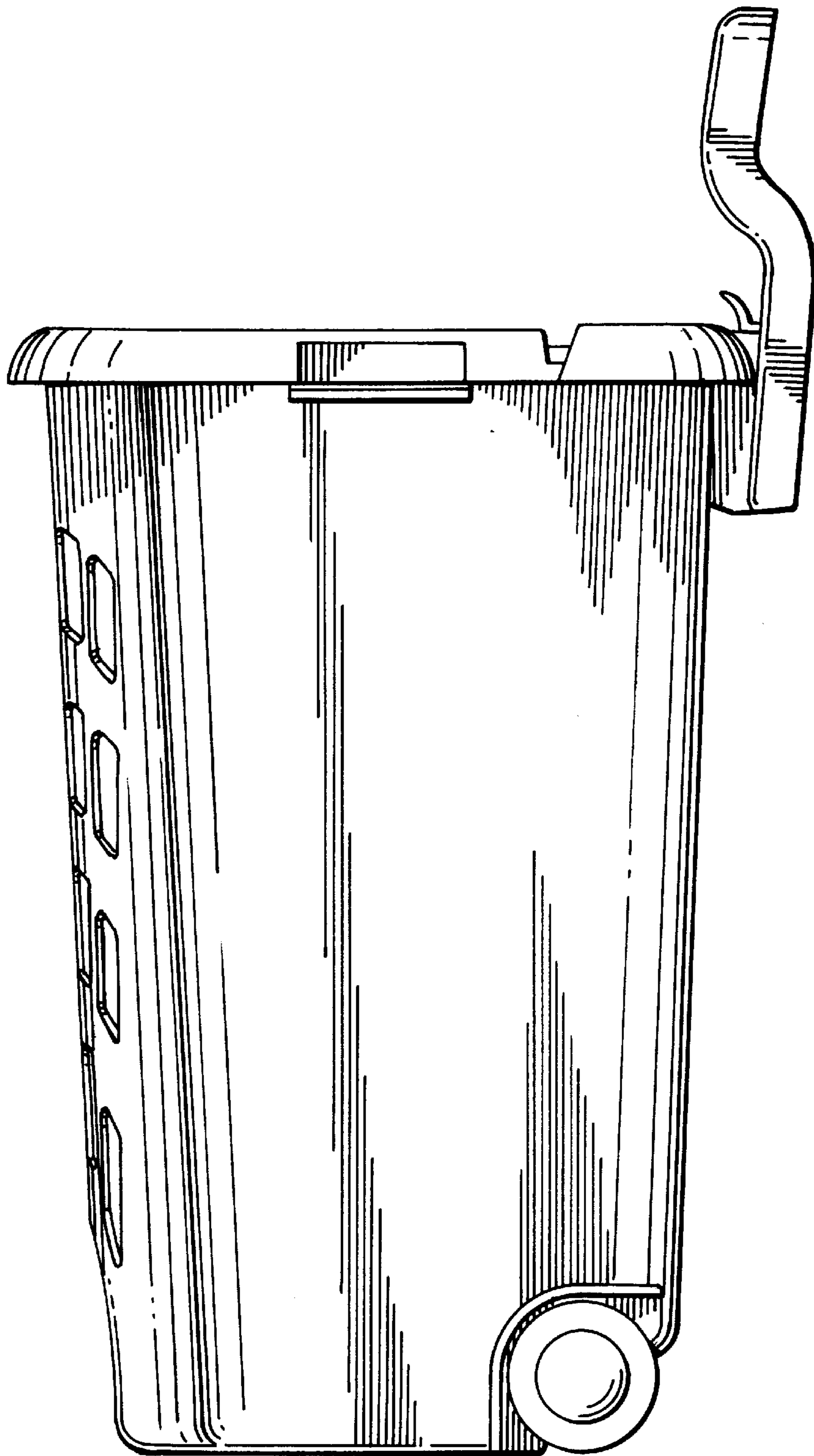


FIG. 4

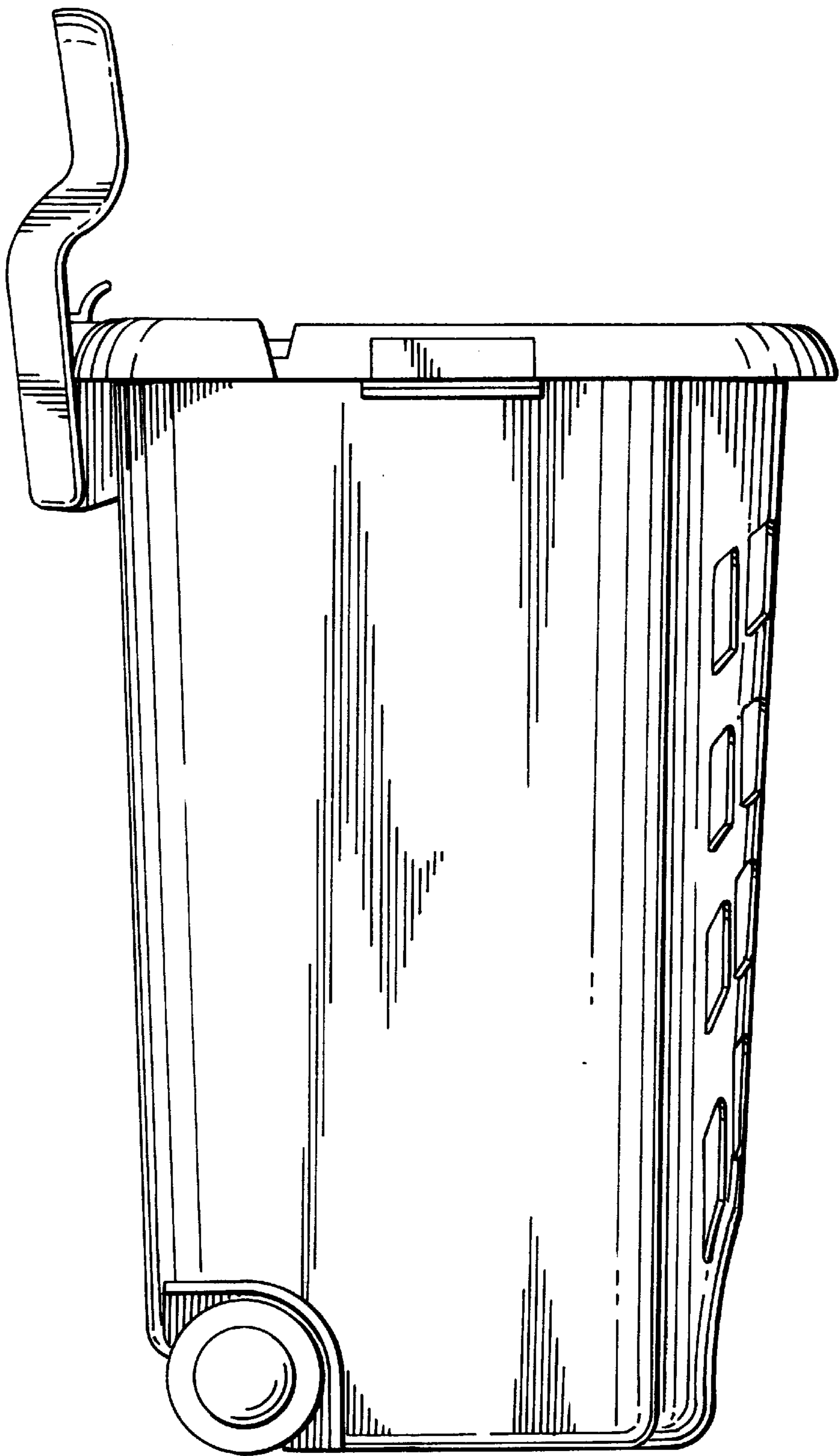


FIG. 5

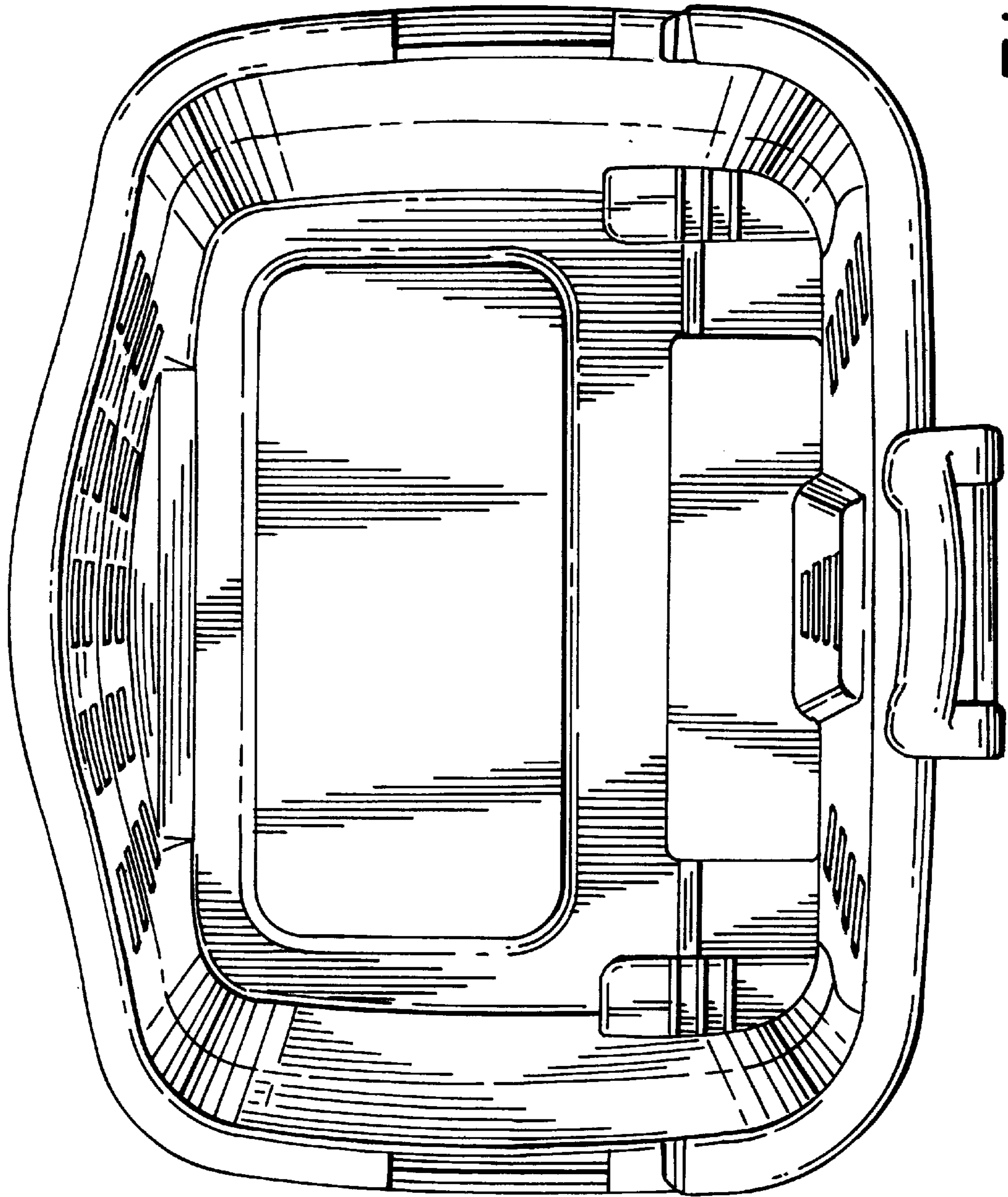


FIG. 6

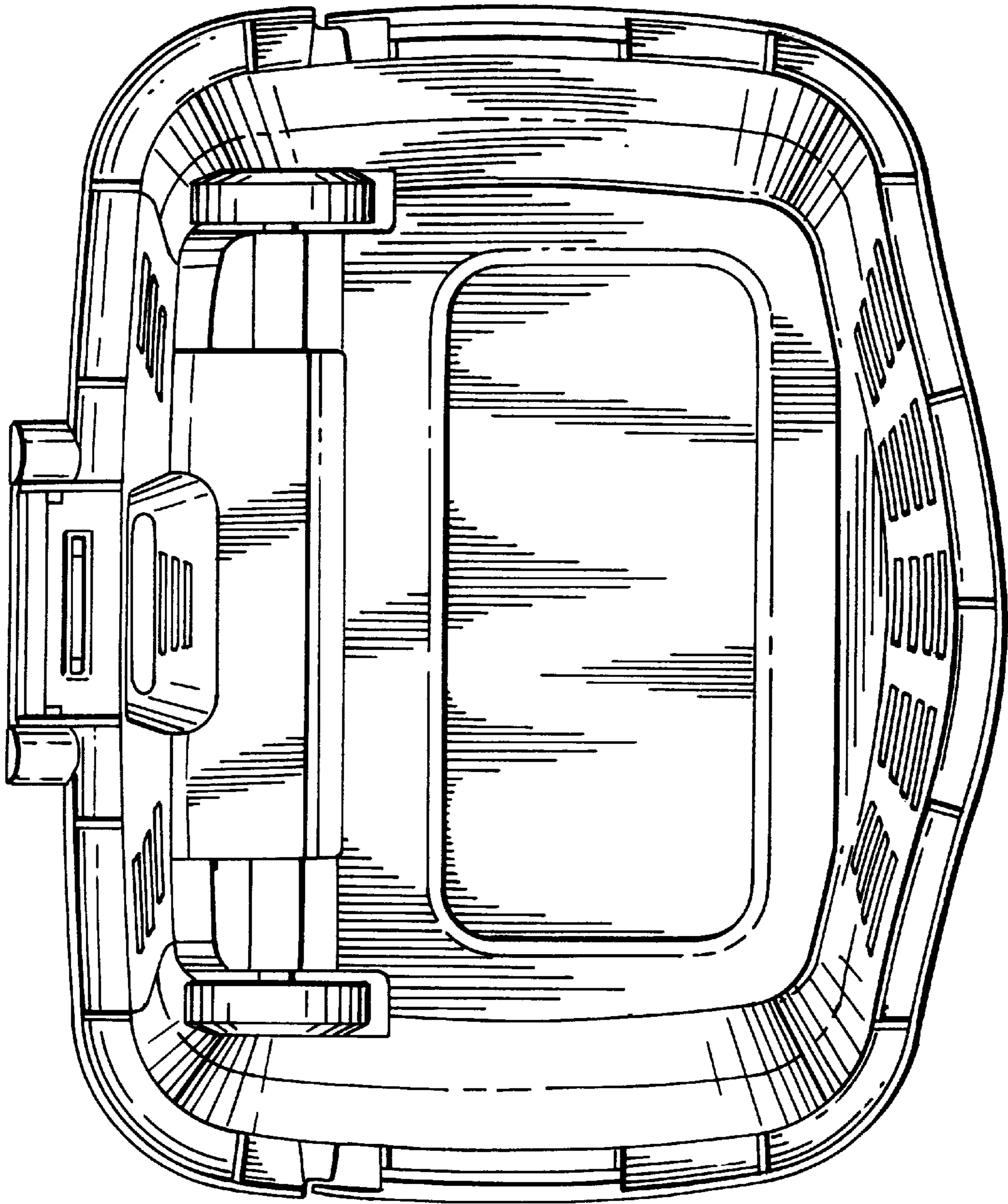


FIG. 7