



US00D431098S

United States Patent [19]

Saunders et al.

[11] Patent Number: Des. 431,098

[45] Date of Patent: ** Sep. 19, 2000

[54] CARPET CLEANING EXTRACTOR DIRTY FLUID TANK

[75] Inventors: Craig M. Saunders, Rocky River; Jeffrey M. Kalman, Cleveland Heights; Terry L. Zahuranec, North Olmsted; Robert A. Salo, Mentor; Richard C. Farone, Willoughby; Laurie M. Shumaker, Talmadge, all of Ohio

[73] Assignee: Royal Appliance Mfg. Co., Cleveland, Ohio

[**] Term: 14 Years

[21] Appl. No.: 29/098,944

[22] Filed: Jan. 8, 1999

[51] LOC (7) Cl. 15-05

[52] U.S. Cl. D32/31; D32/22

[58] Field of Search D32/21, 22, 25, D32/31-33; 15/415.1-422.1, 321-322, 412, 414, 400, 350, 354, 362, 364, 367, 373

[56] References Cited

U.S. PATENT DOCUMENTS

D. 346,679	5/1994	Bradd et al.	D32/22
D. 358,241	5/1995	Bradd	D32/22
D. 379,694	6/1997	Bradd .	
D. 381,478	7/1997	Amos	D32/21

D. 385,072	10/1997	Bradd .	
D. 393,112	3/1998	Essex et al. .	
D. 396,905	8/1998	Bradd	D32/32
D. 406,928	3/1999	Rowley et al. .	
5,615,448	4/1997	Crouser et al.	15/321
5,784,755	7/1998	Karr et al. .	
5,860,188	1/1999	Maurer et al.	15/320
5,933,912	8/1999	Karr et al.	15/320
5,937,475	8/1999	Kasen et al.	15/320
5,983,442	11/1999	Louis et al.	15/320

Primary Examiner—Ruth McInroy
Attorney, Agent, or Firm—Fay, Sharpe, Fagan, Minnich & McKee, LLP

[57] CLAIM

The ornamental design for a carpet cleaning extractor dirty fluid tank, as shown and described.

DESCRIPTION

FIG. 1 is a perspective view of a carpet cleaning extractor dirty fluid tank showing our new design; FIG. 2 is a left side elevational view thereof; FIG. 3 is a front elevational view thereof; FIG. 4 is a rear elevational view thereof; FIG. 5 is a top plan view thereof; FIG. 6 is a right side elevational view thereof; and, FIG. 7 is a bottom plan view thereof.

The parts shown in broken lines in FIG. 1 are shown for illustrative purposes only and form no part of the claimed design.

1 Claim, 3 Drawing Sheets

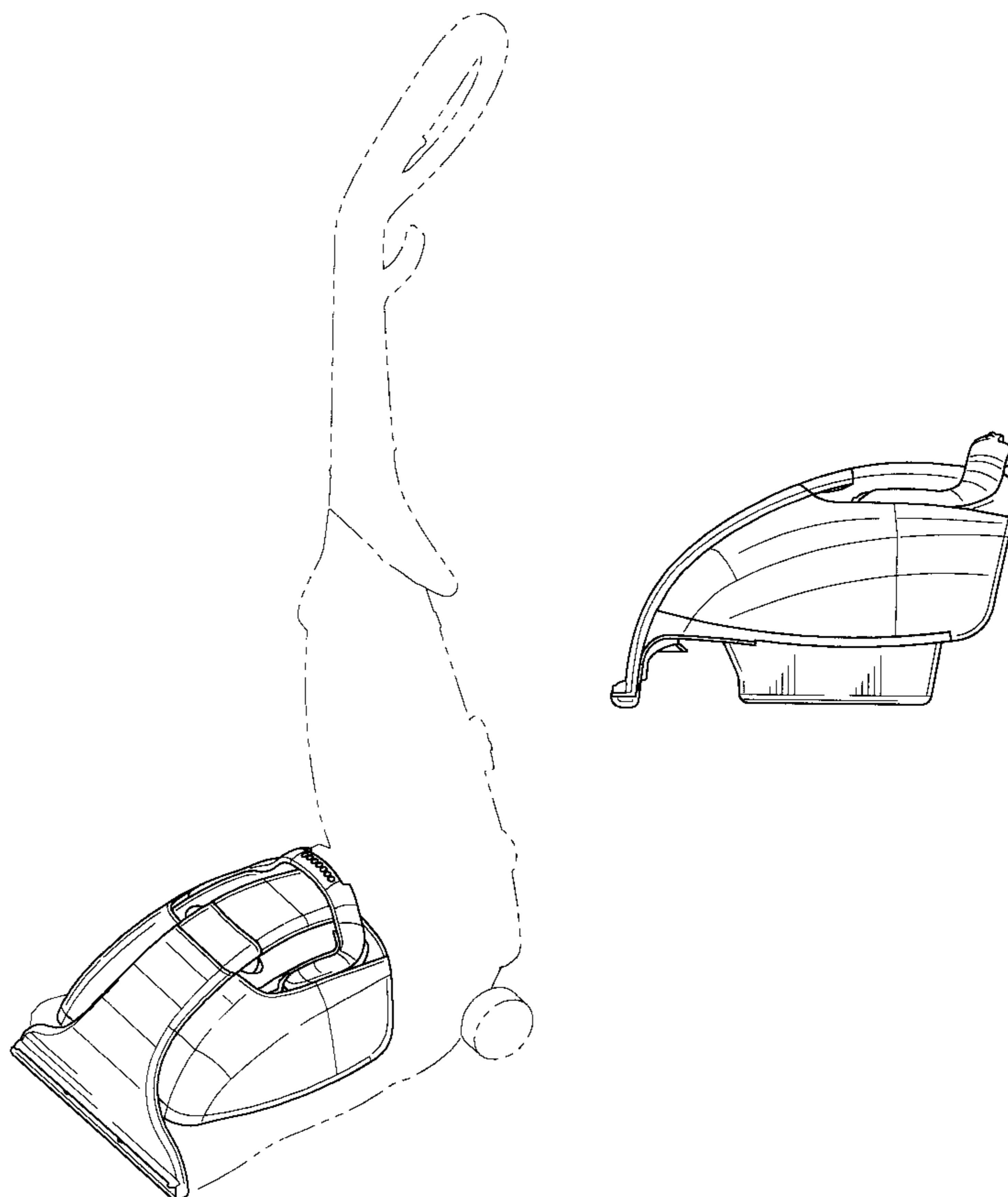


FIG. 1

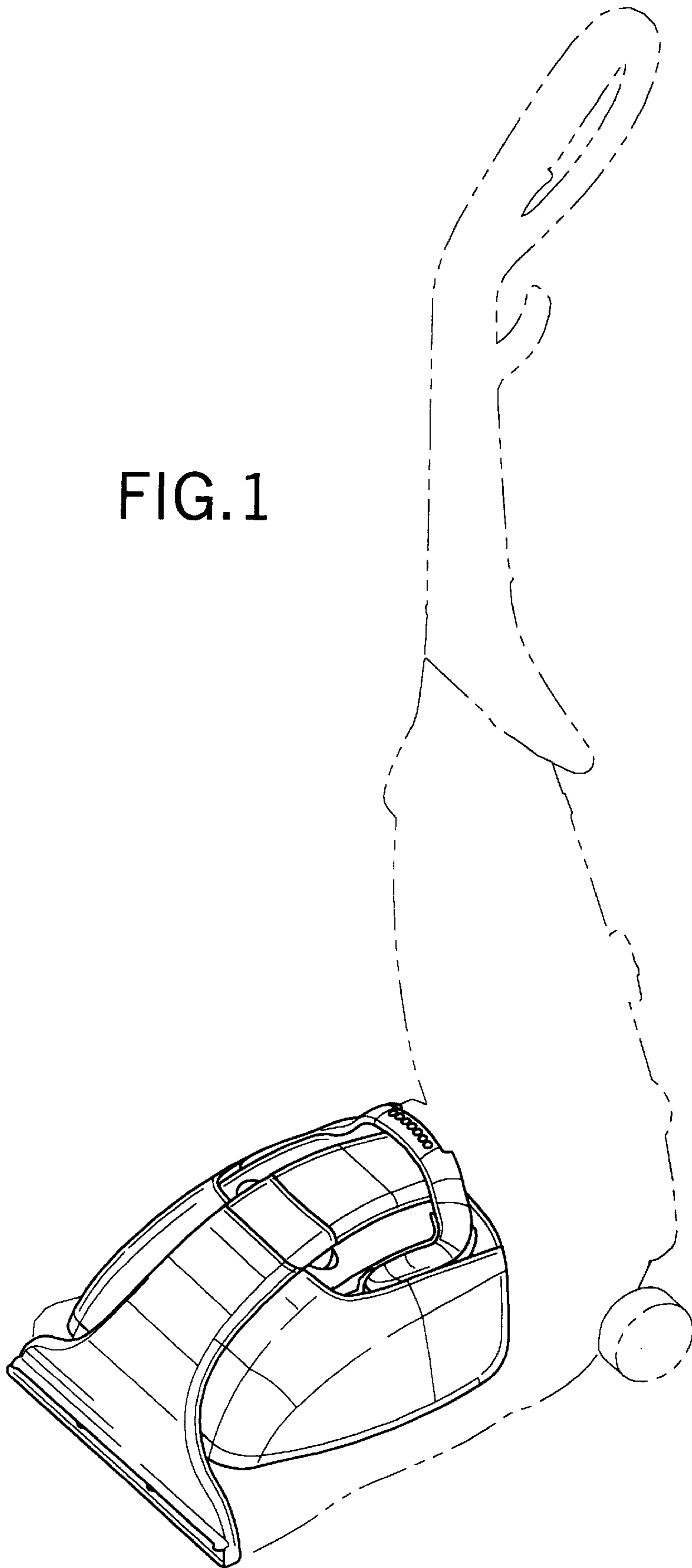


FIG.2

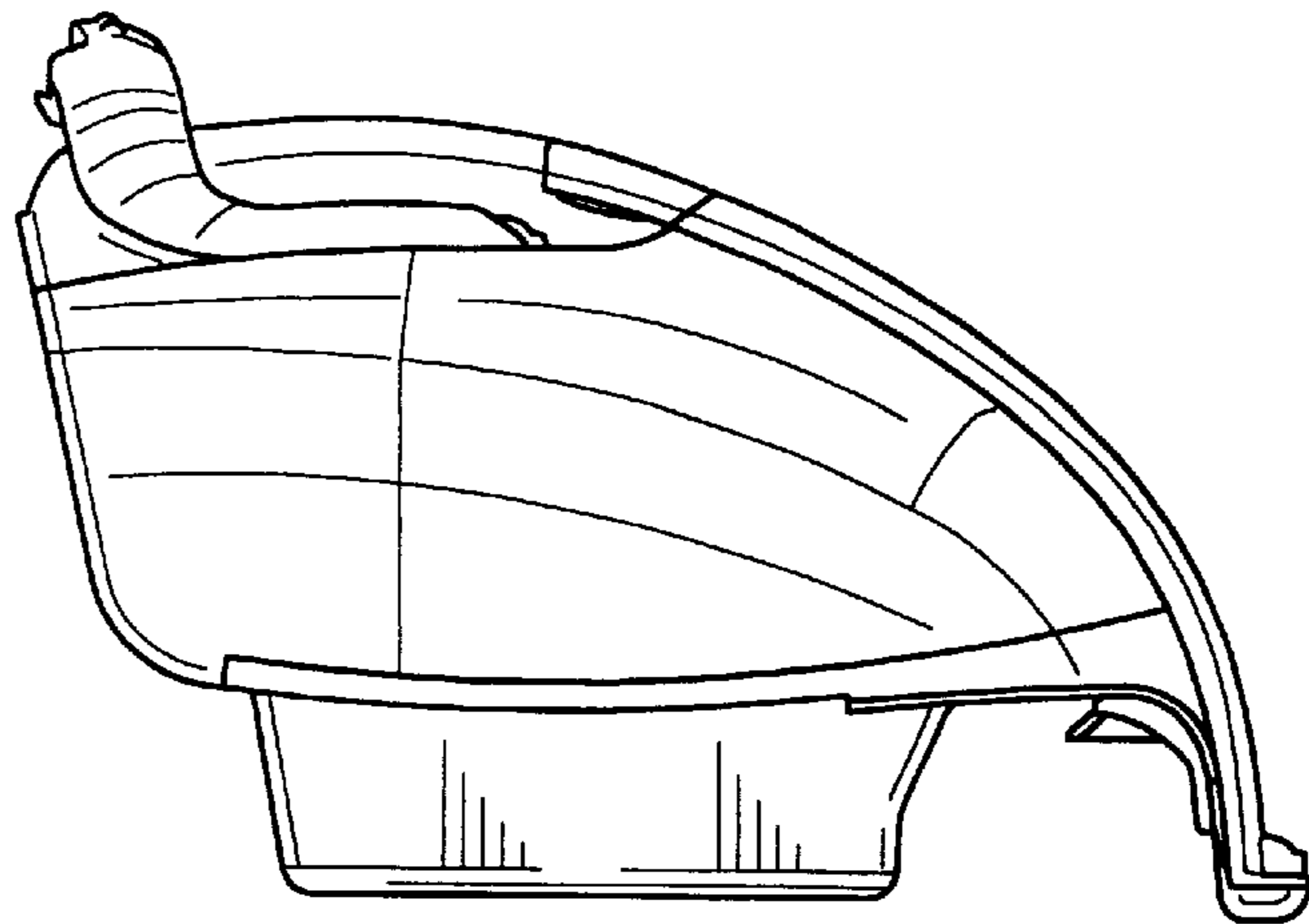


FIG.3

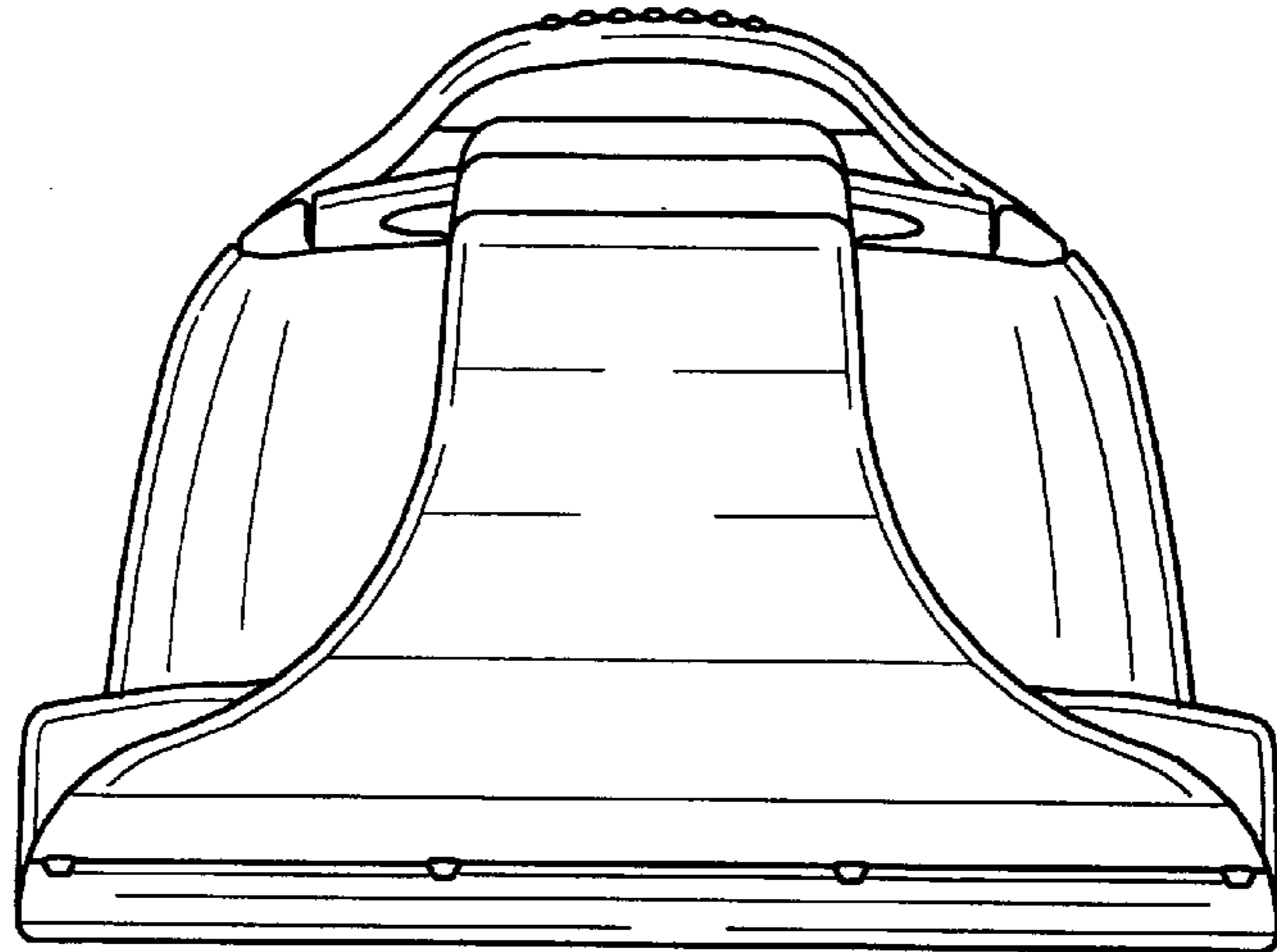


FIG.4

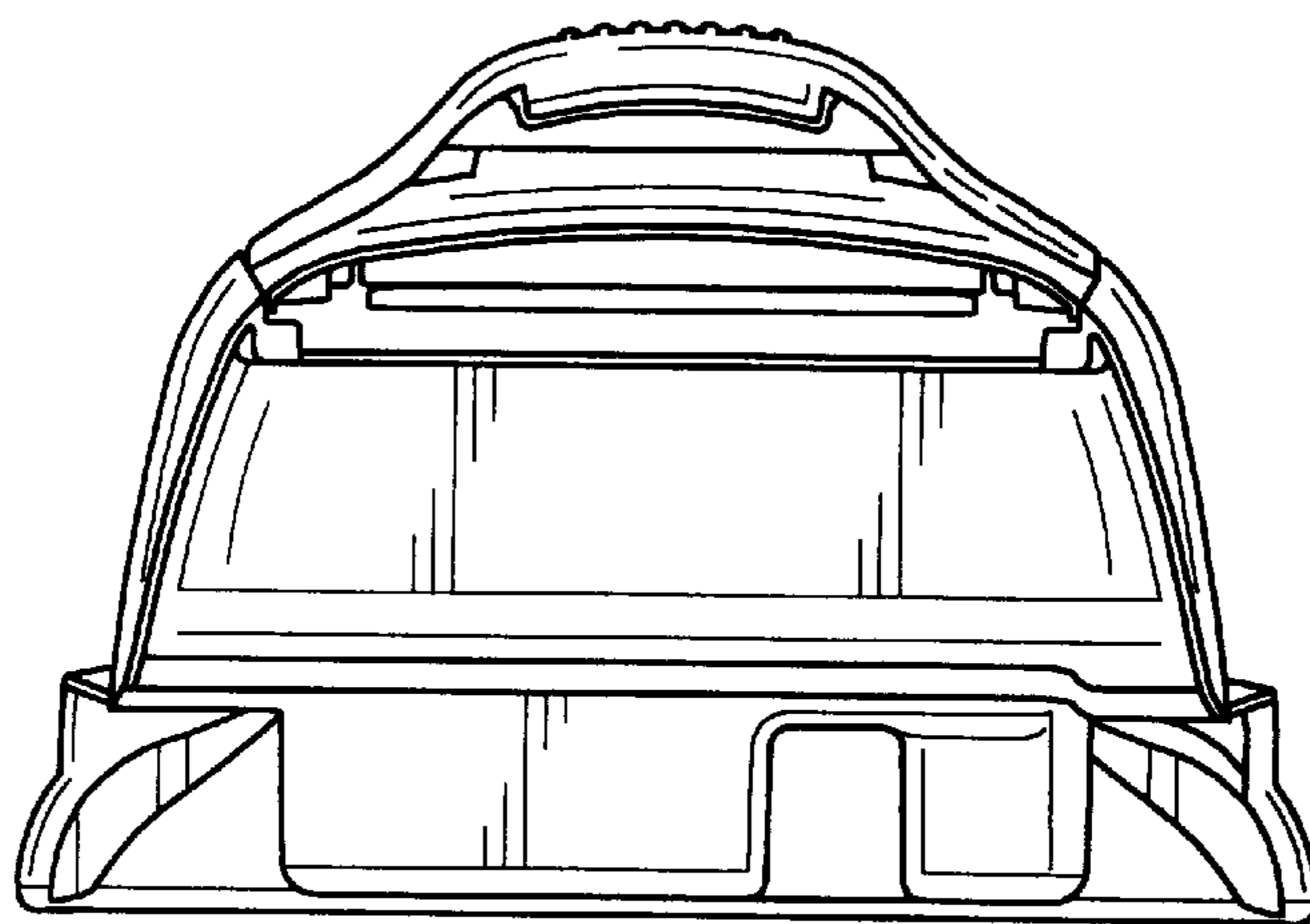


FIG.5

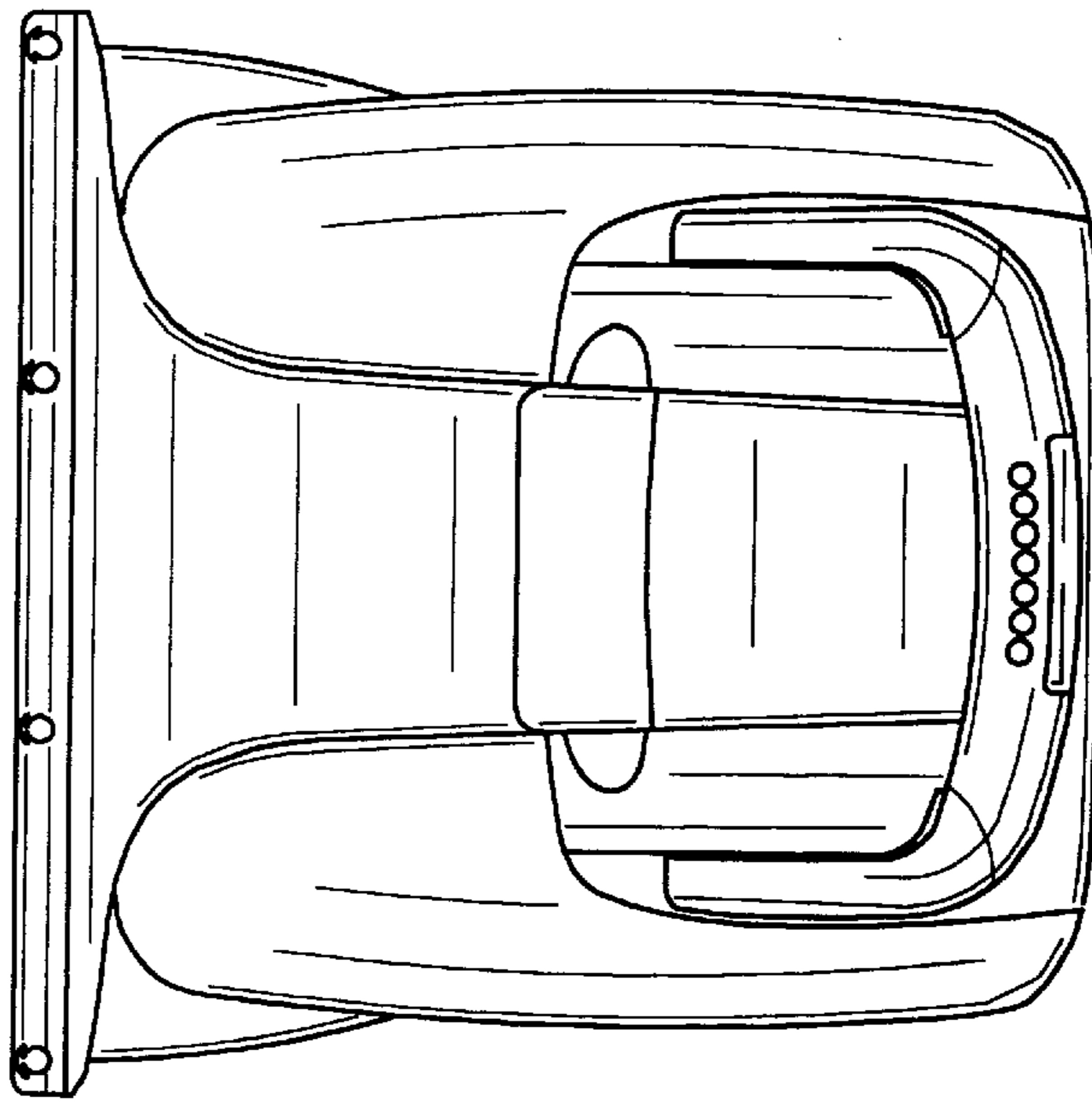


FIG.6

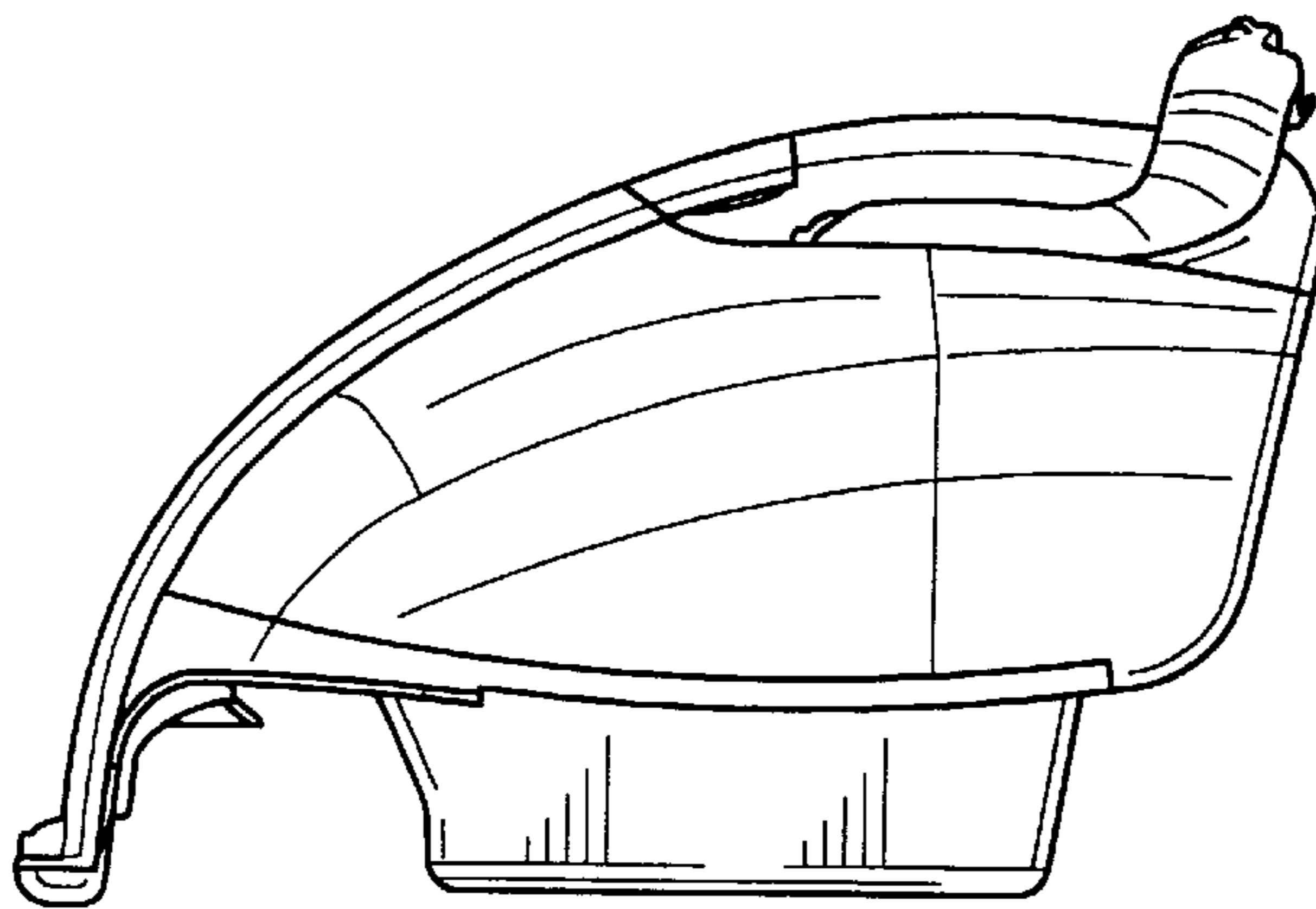


FIG.7

