



US00D431092S

United States Patent [19]

Hiller et al.

[11] Patent Number: **Des. 431,092**

[45] Date of Patent: **** Sep. 19, 2000**

[54] OUTDOOR LAMP COVER

[75] Inventors: **Raymond J. Hiller**, Chapel Hill;
Michael Drake, Stoney Creek, both of
N.C.

[73] Assignee: **Regent Lighting Corporation**,
Burlington, N.C.

[**] Term: **14 Years**

[21] Appl. No.: **29/110,235**

[22] Filed: **Sep. 1, 1999**

[51] **LOC (7) Cl.** **26-99**

[52] **U.S. Cl.** **D26/118**

[58] **Field of Search** D26/60-66, 118;
362/267, 271, 272, 275, 276, 288, 427,
429, 341, 345, 347, 349, 359, 361, 362,
374, 383, 384, 385

[56] References Cited

U.S. PATENT DOCUMENTS

2,878,371 3/1959 Hanlin D26/62 X

OTHER PUBLICATIONS

Koch + Lowy track lighting catalog, May 1978, p. 2, track
light # J-701.

Primary Examiner—Susan J. Lucas
Attorney, Agent, or Firm—Niro, Scavone, Haller & Niro

[57] CLAIM

We claim the ornamental design for an outdoor lamp cover,
as shown and described.

DESCRIPTION

FIG. 1 is a perspective view taken from the left side of the
new design;

FIG. 2 is a top plan view thereof;

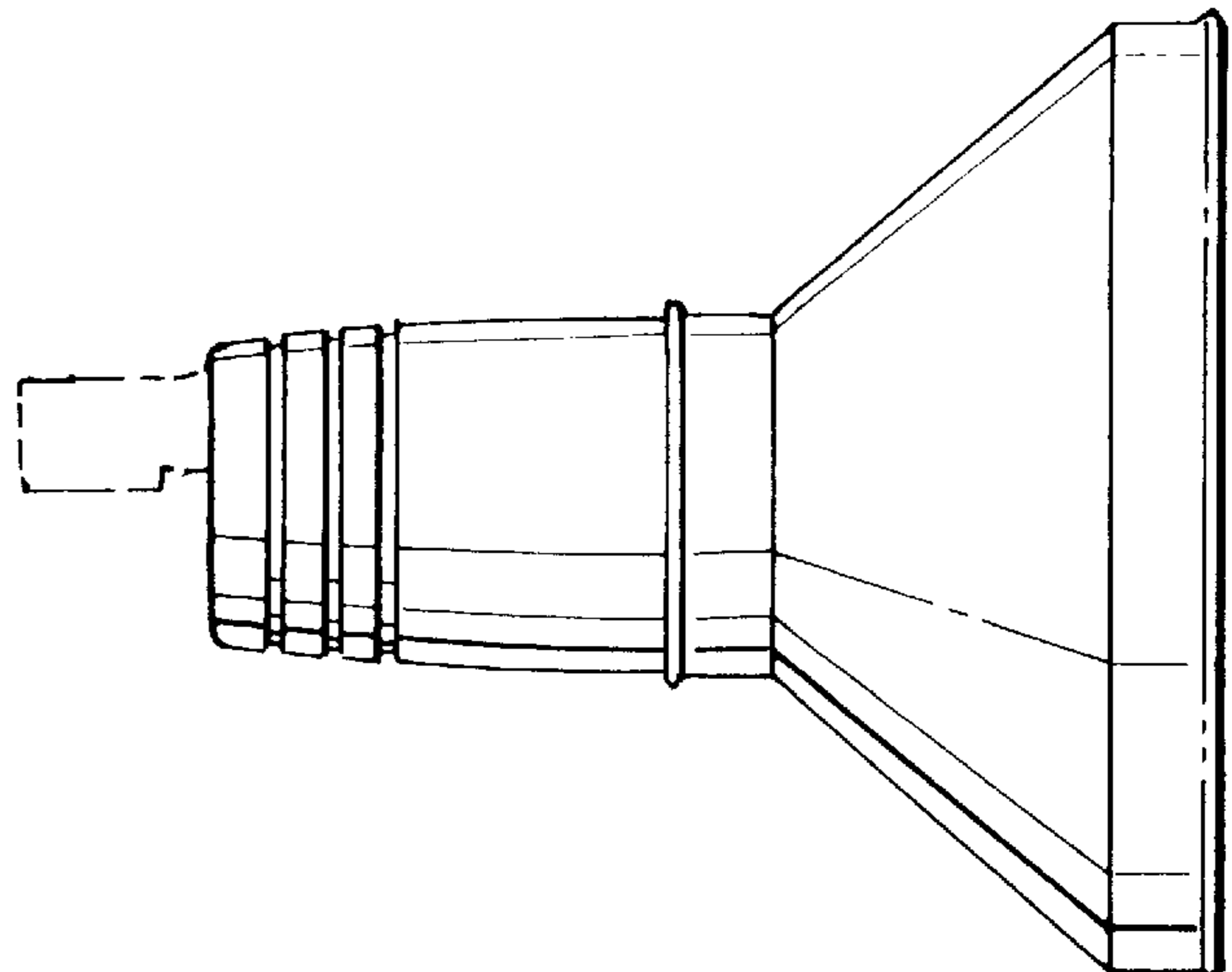
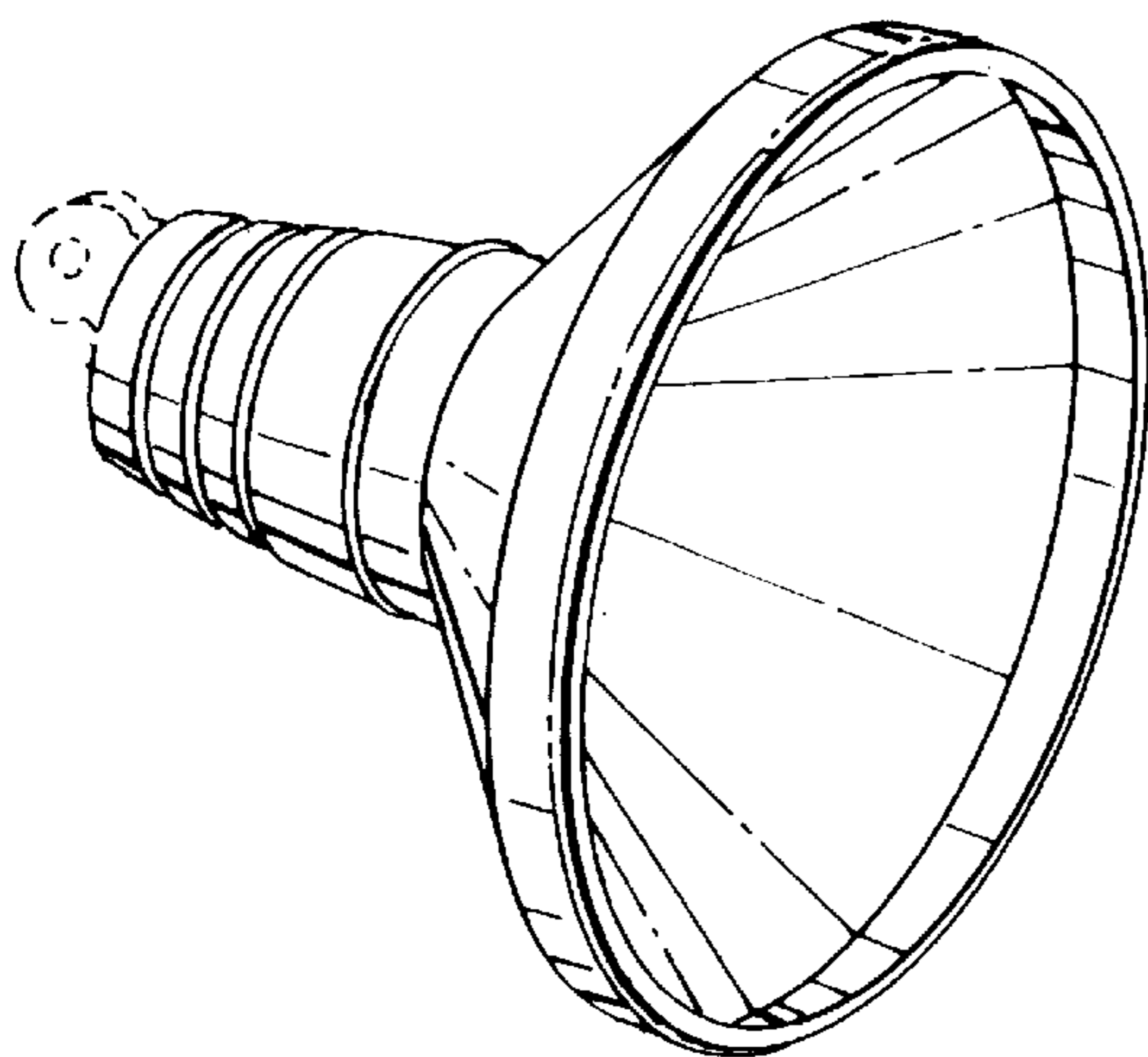
FIG. 3 is a rear view thereof;

FIG. 4 is a side view thereof; and,

FIG. 5 is a front view thereof.

The broken lines are shown for illustrative purposes only
and form no part of the claimed design.

1 Claim, 1 Drawing Sheet



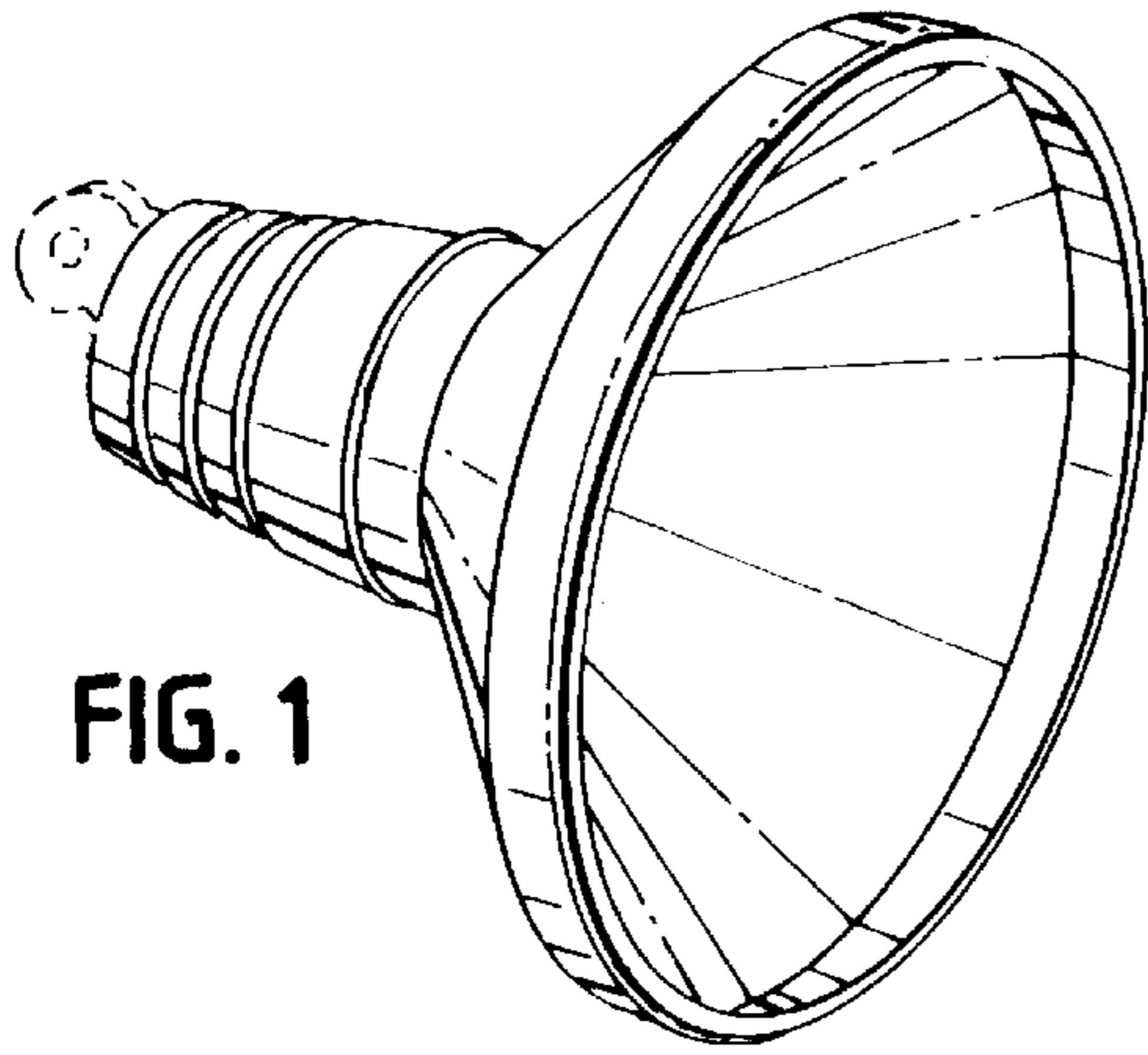


FIG. 1

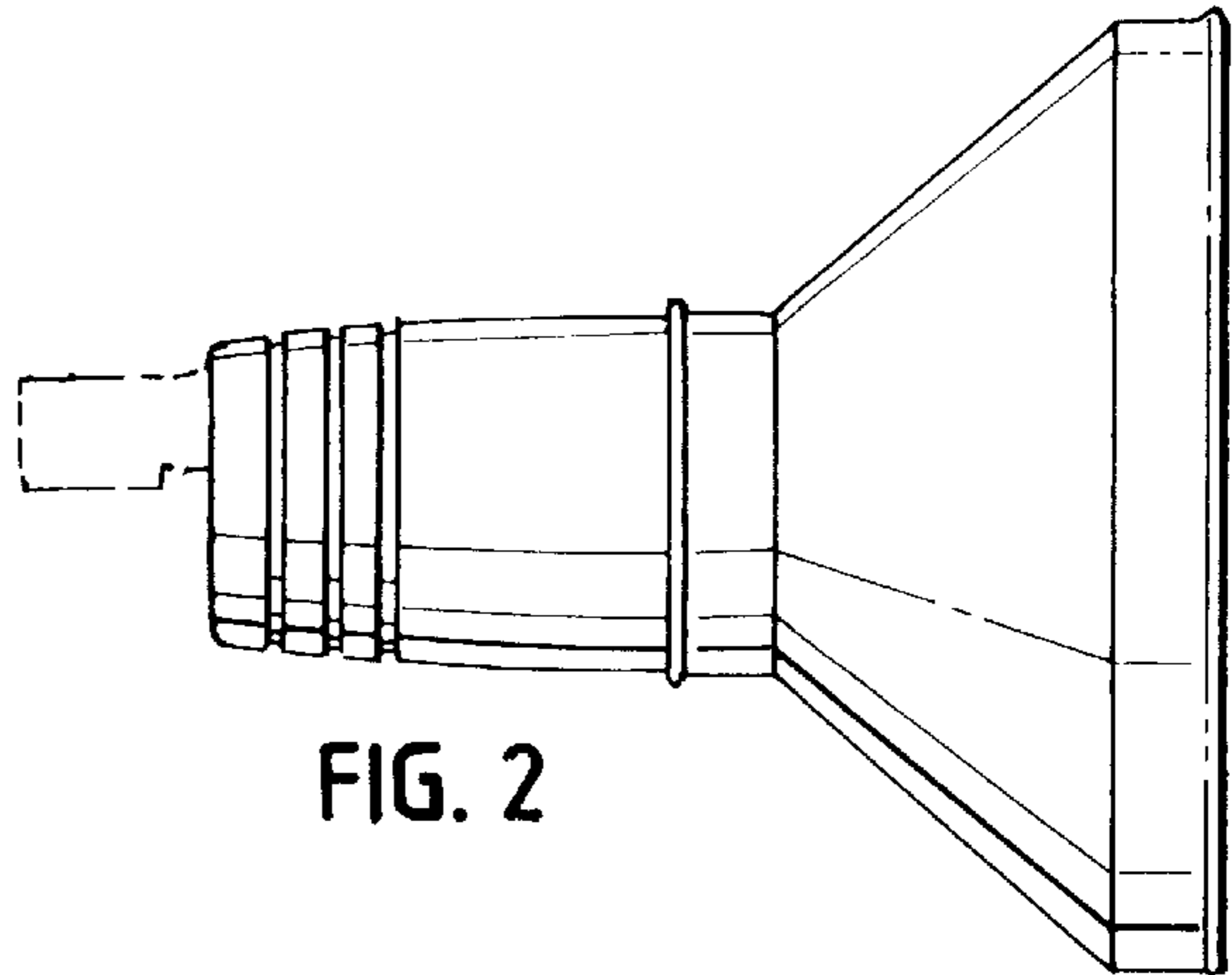


FIG. 2

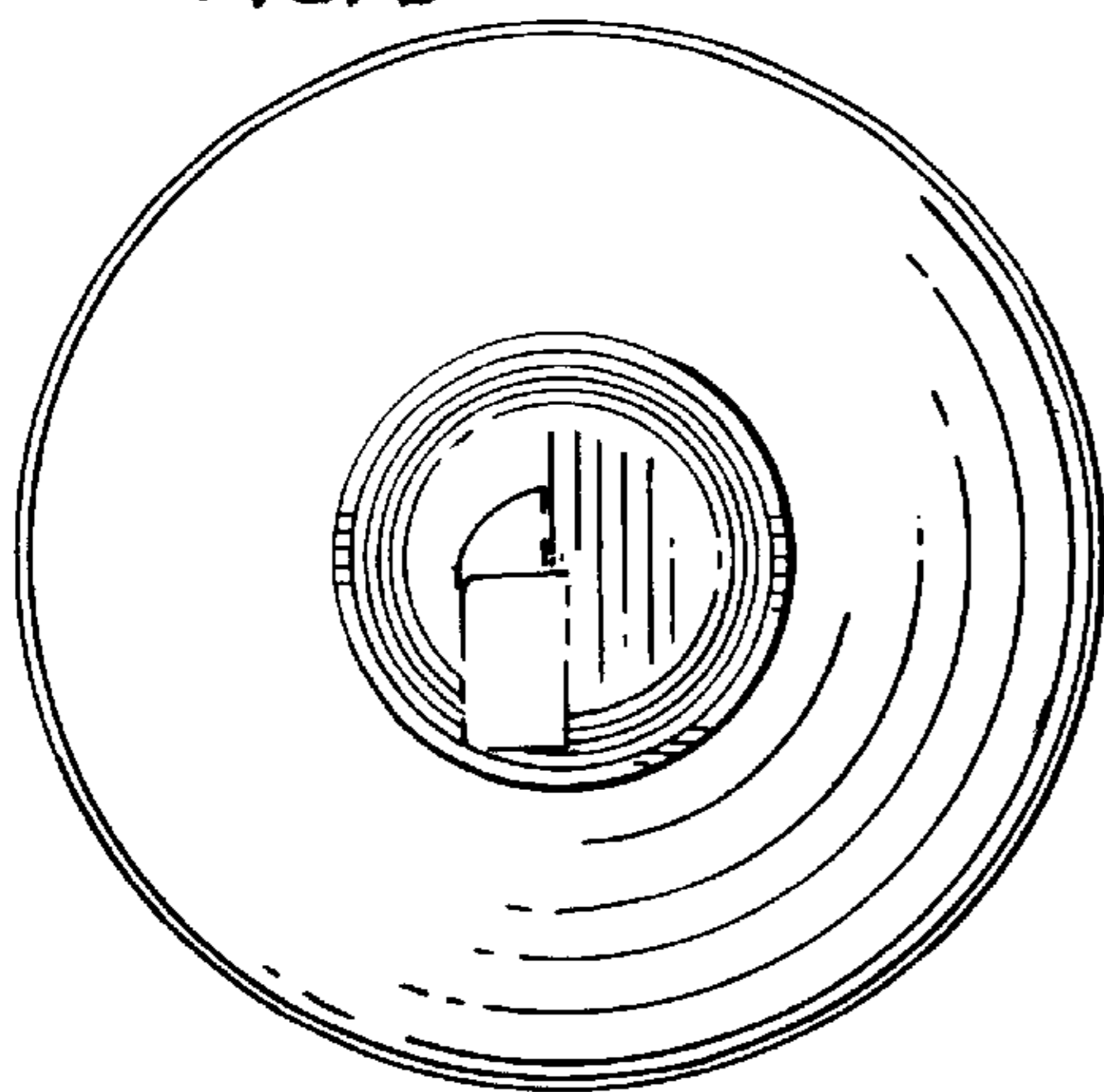


FIG. 3

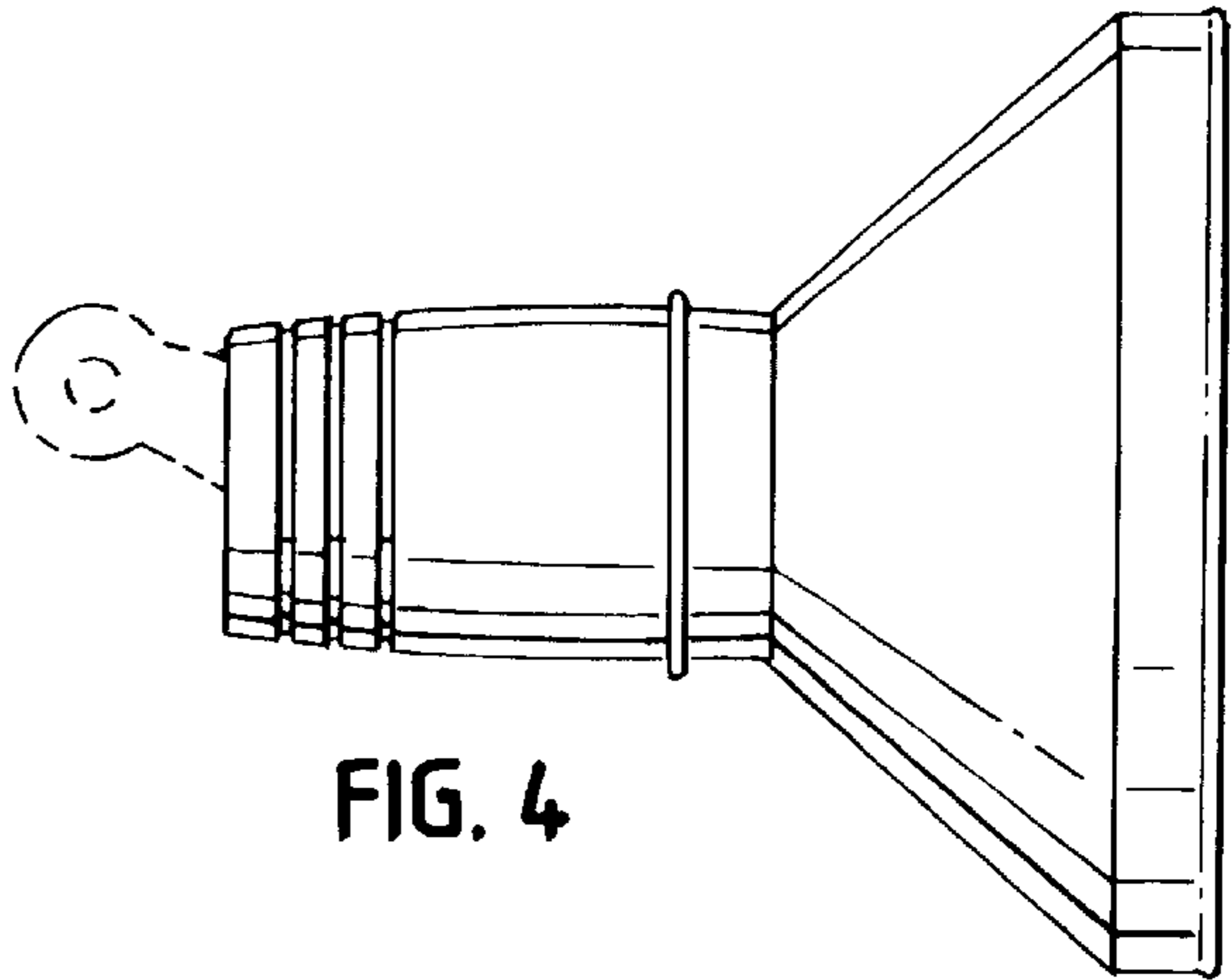


FIG. 4

FIG. 5

