



US00D431091S

United States Patent [19] Lin

[11] Patent Number: **Des. 431,091**

[45] Date of Patent: **** Sep. 19, 2000**

[54] **PARTY LAMP**

[76] Inventor: **Rich Lin**, 17F, No. 309, Sec. 2, Wen Hua Rd, Panchiao, Taipei Hsien, Taiwan

[**] Term: **14 Years**

[21] Appl. No.: **29/107,305**

[22] Filed: **Jul. 6, 1999**

[51] **LOC (7) Cl.** **26-03**

[52] **U.S. Cl.** **D26/107**

[58] **Field of Search** D26/93-112; 362/410-414

[56] **References Cited**

U.S. PATENT DOCUMENTS

D. 405,213 2/1999 Chen D26/108

Primary Examiner—Lisa Lichtenstein

Attorney, Agent, or Firm—Dougherty & Troxell

[57] **CLAIM**

The ornamental design for a party lamp, as shown and described.

DESCRIPTION

FIG. 1 is a perspective view of a party lamp showing my new design;

FIG. 2 is a side elevational view thereof;

FIG. 3 is a top plan view thereof;

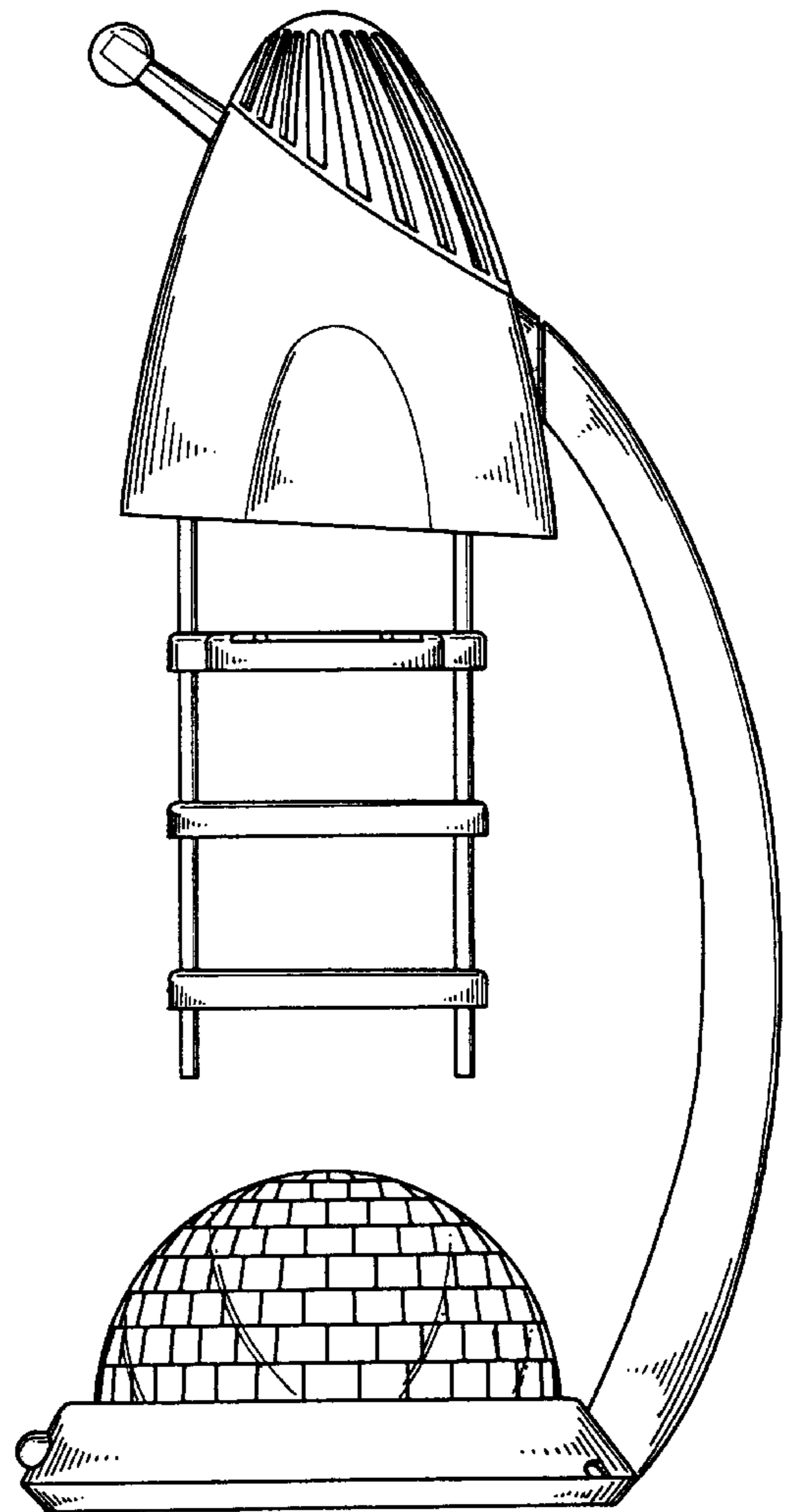
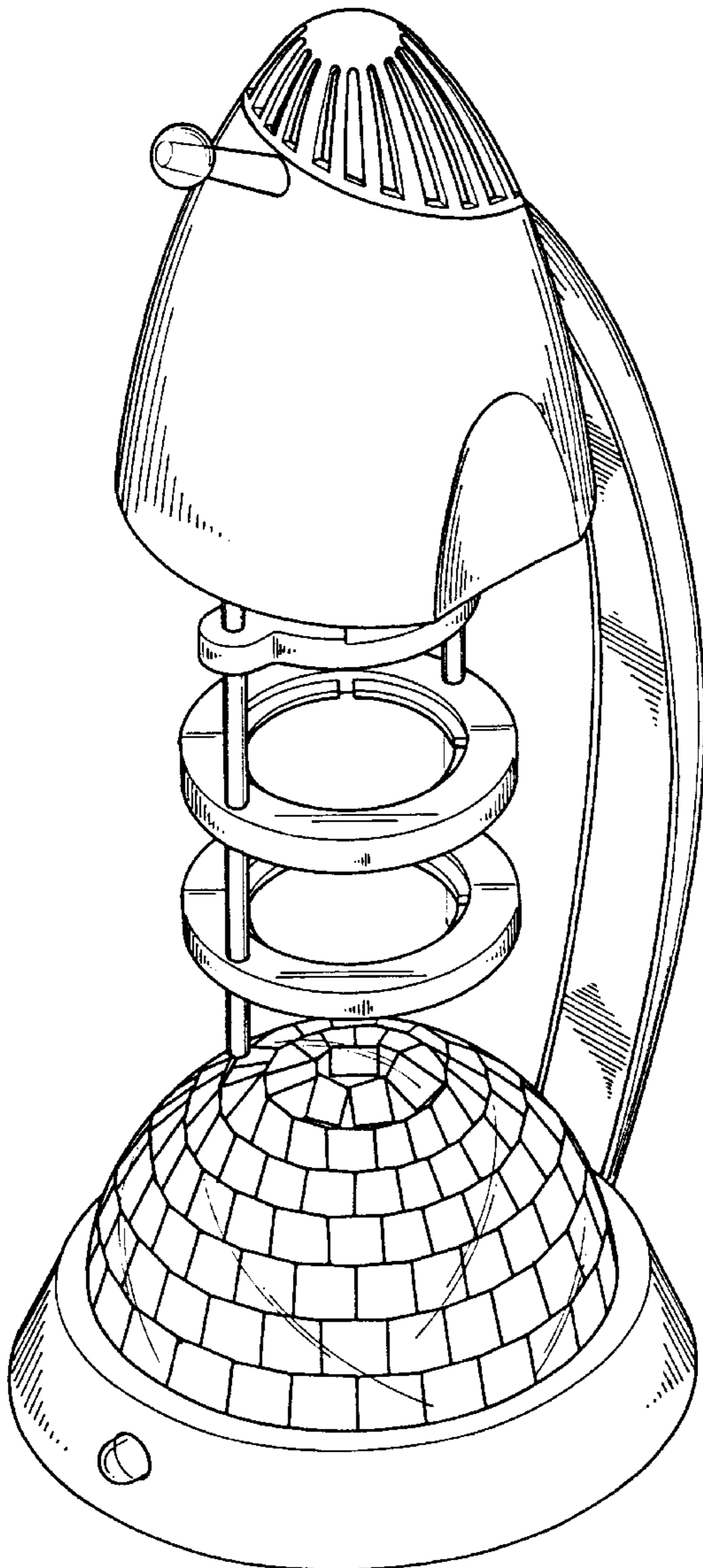
FIG. 4 is a front elevational view thereof;

FIG. 5 is a bottom view thereof;

FIG. 6 is an elevational view of the side opposite to FIG. 4; and,

FIG. 7 is a rear elevational view thereof.

1 Claim, 6 Drawing Sheets



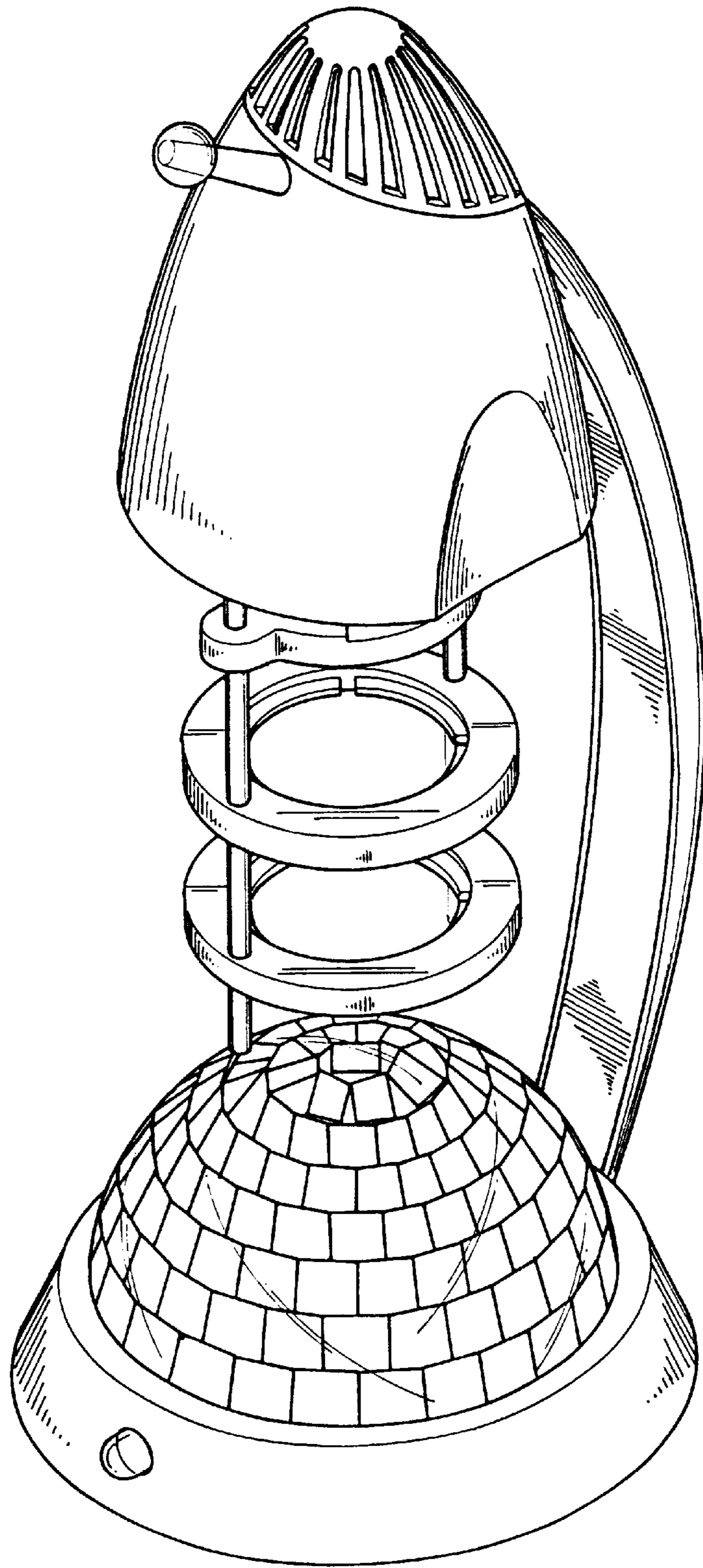


FIG. 1

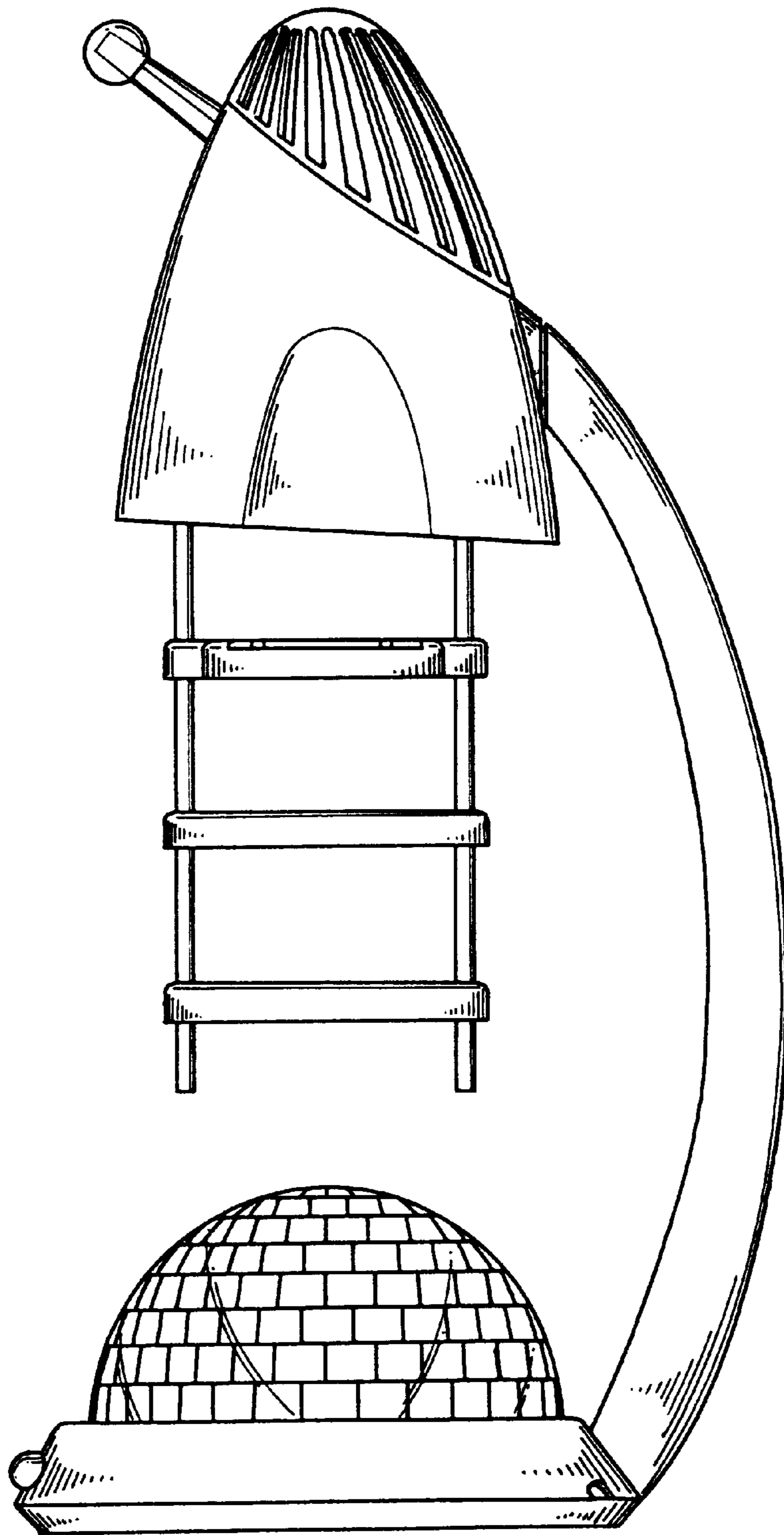


FIG. 2

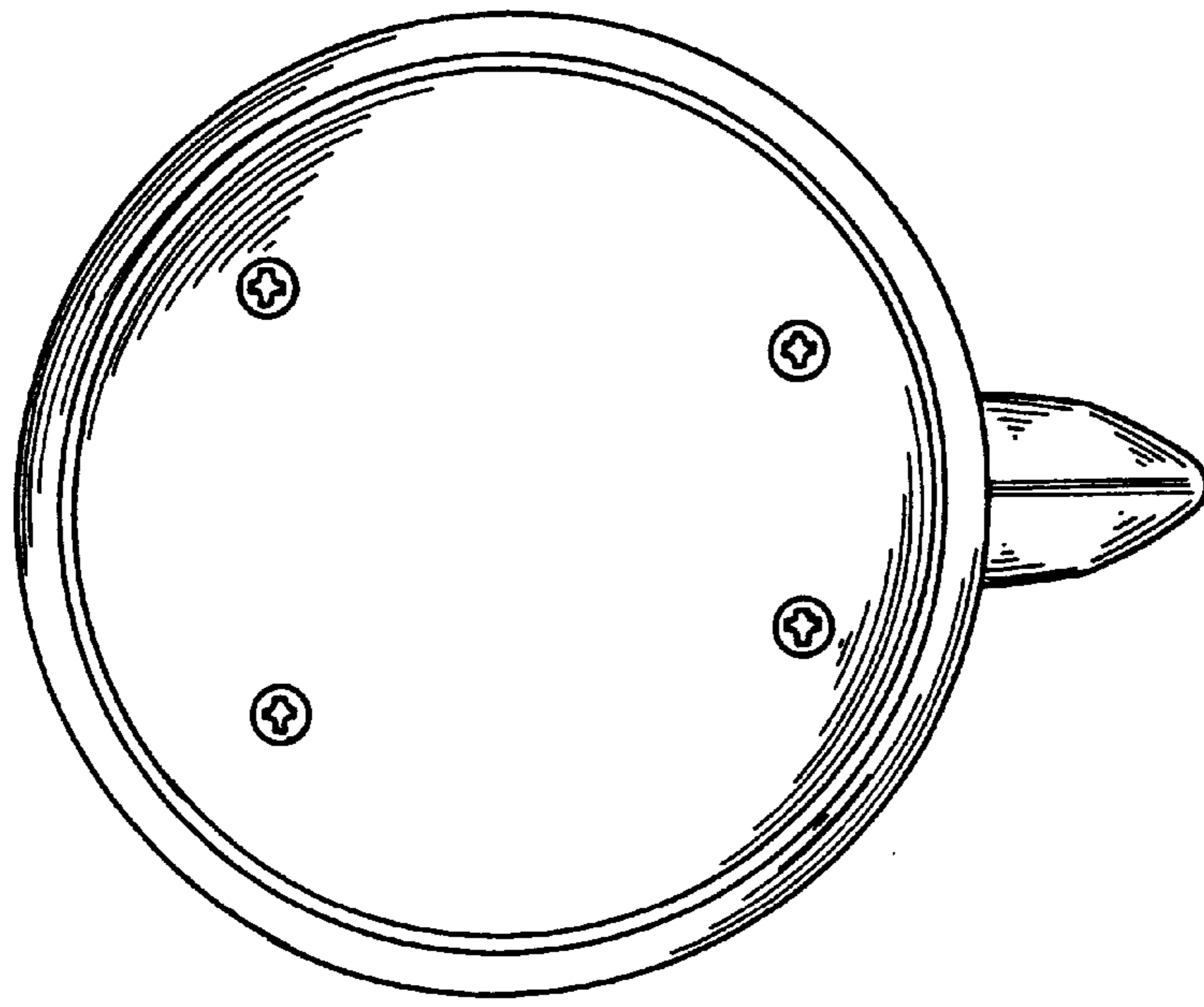


FIG. 5

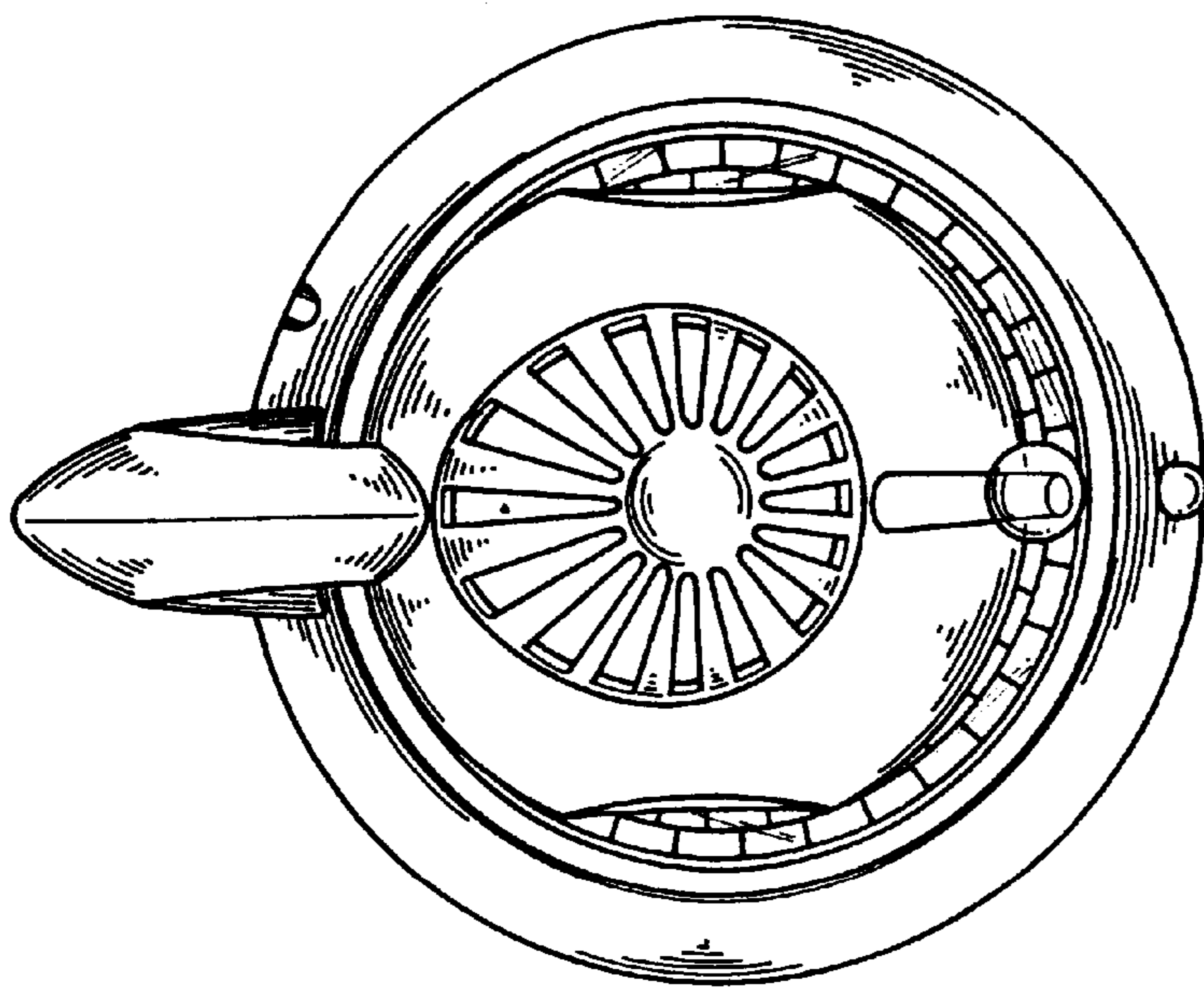


FIG. 3

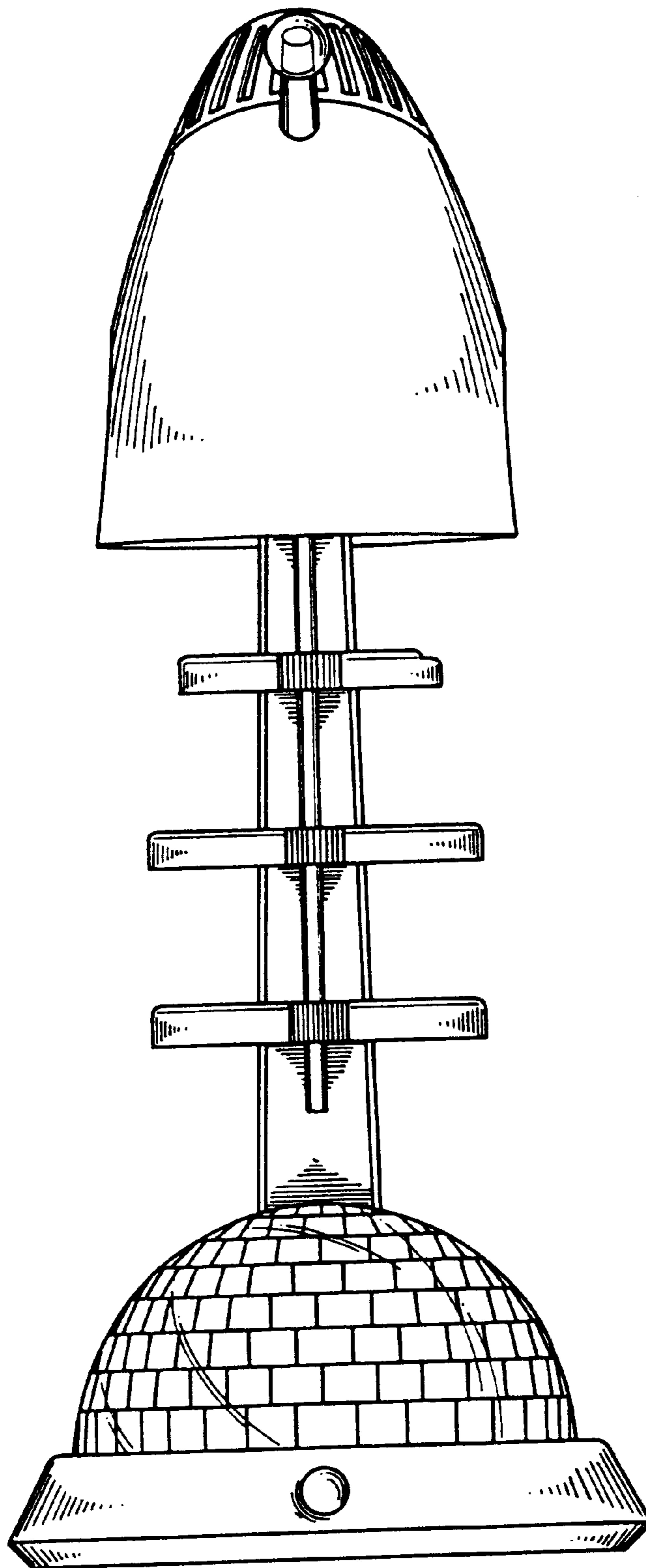


FIG. 4

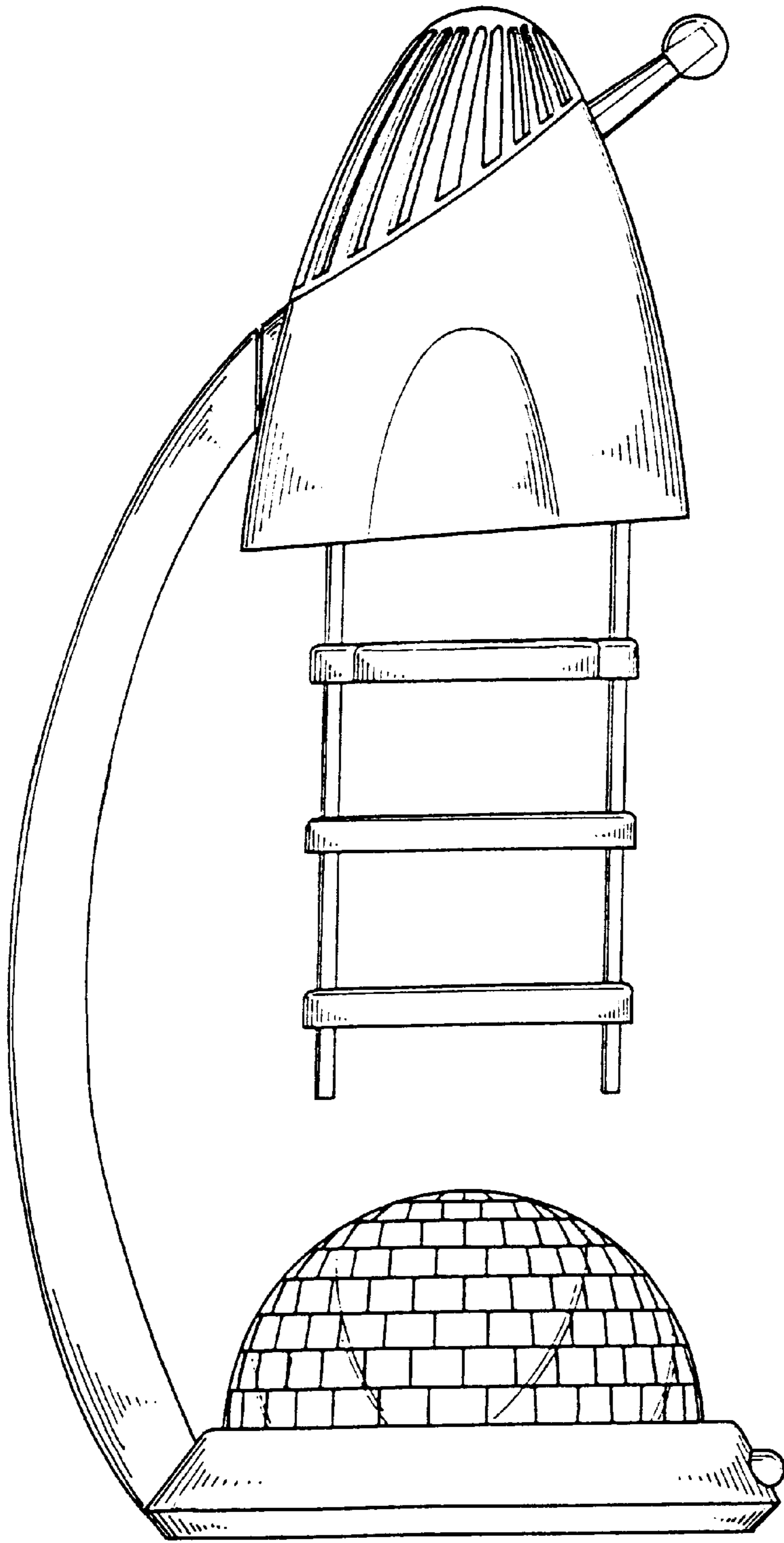


FIG. 6

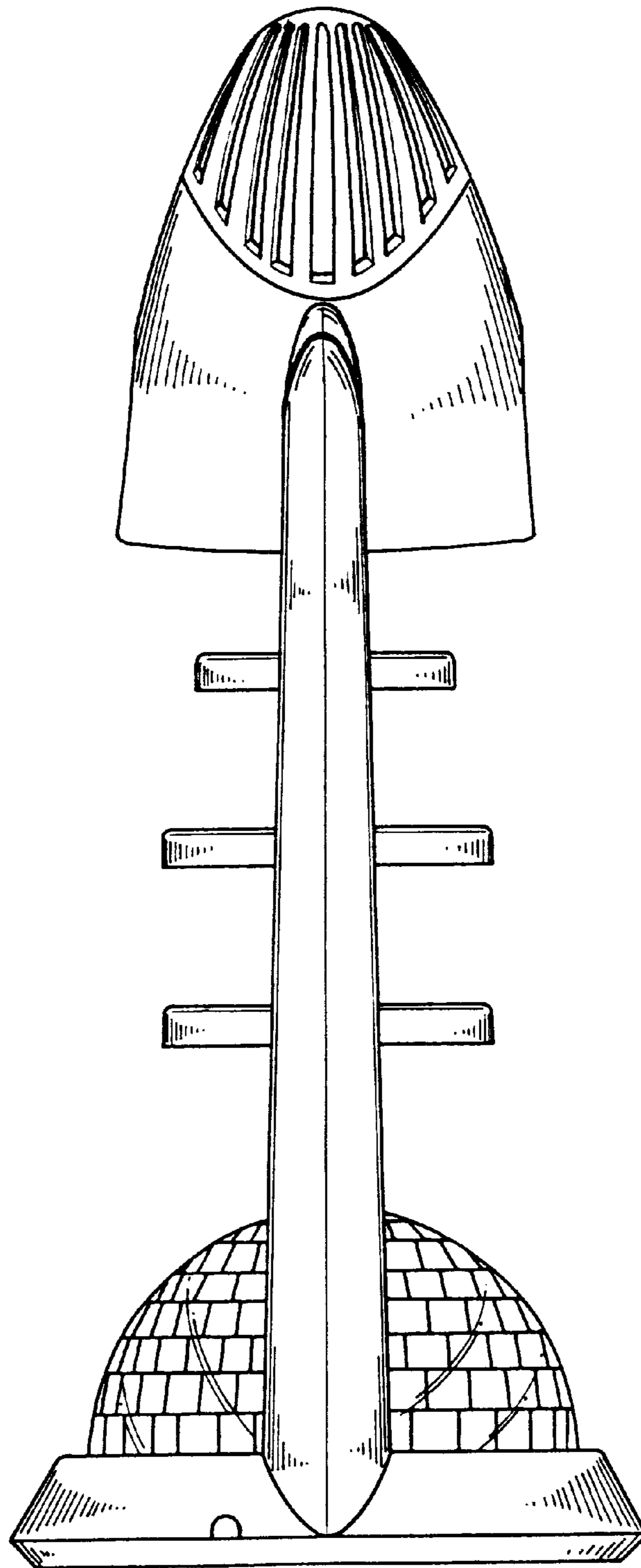


FIG. 7