



US00D431090S

United States Patent [19]
Hsieh

[11] **Patent Number: Des. 431,090**

[45] **Date of Patent: ** Sep. 19, 2000**

[54] **PENDENT LAMP**

[76] Inventor: **Freda Hsieh**, No. 2, Ning Hsia East
2nd Street, Taichung, Taiwan

[**] Term: **14 Years**

[21] Appl. No.: **29/103,715**

[22] Filed: **Apr. 20, 1999**

[51] **LOC (7) Cl.** **26-05**

[52] **U.S. Cl.** **D26/85**

[58] **Field of Search** D26/72, 80-92;
362/147, 404-408

[56] **References Cited**

U.S. PATENT DOCUMENTS

- D. 384,432 9/1997 Octavio D26/84
- D. 398,068 9/1998 Milicia D26/81

Primary Examiner—Susan J. Lucas
Attorney, Agent, or Firm—Rosenberg, Klein & Lee

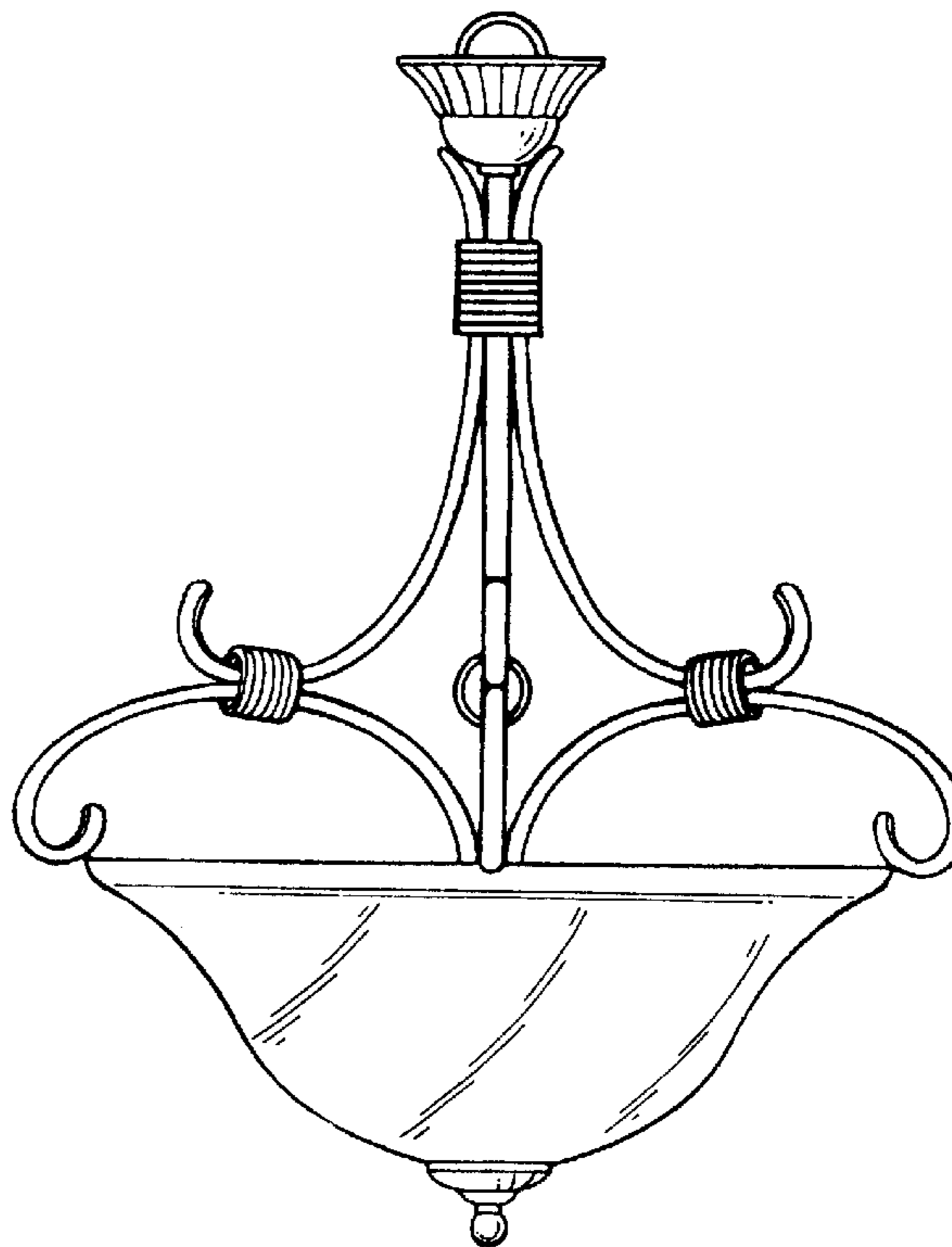
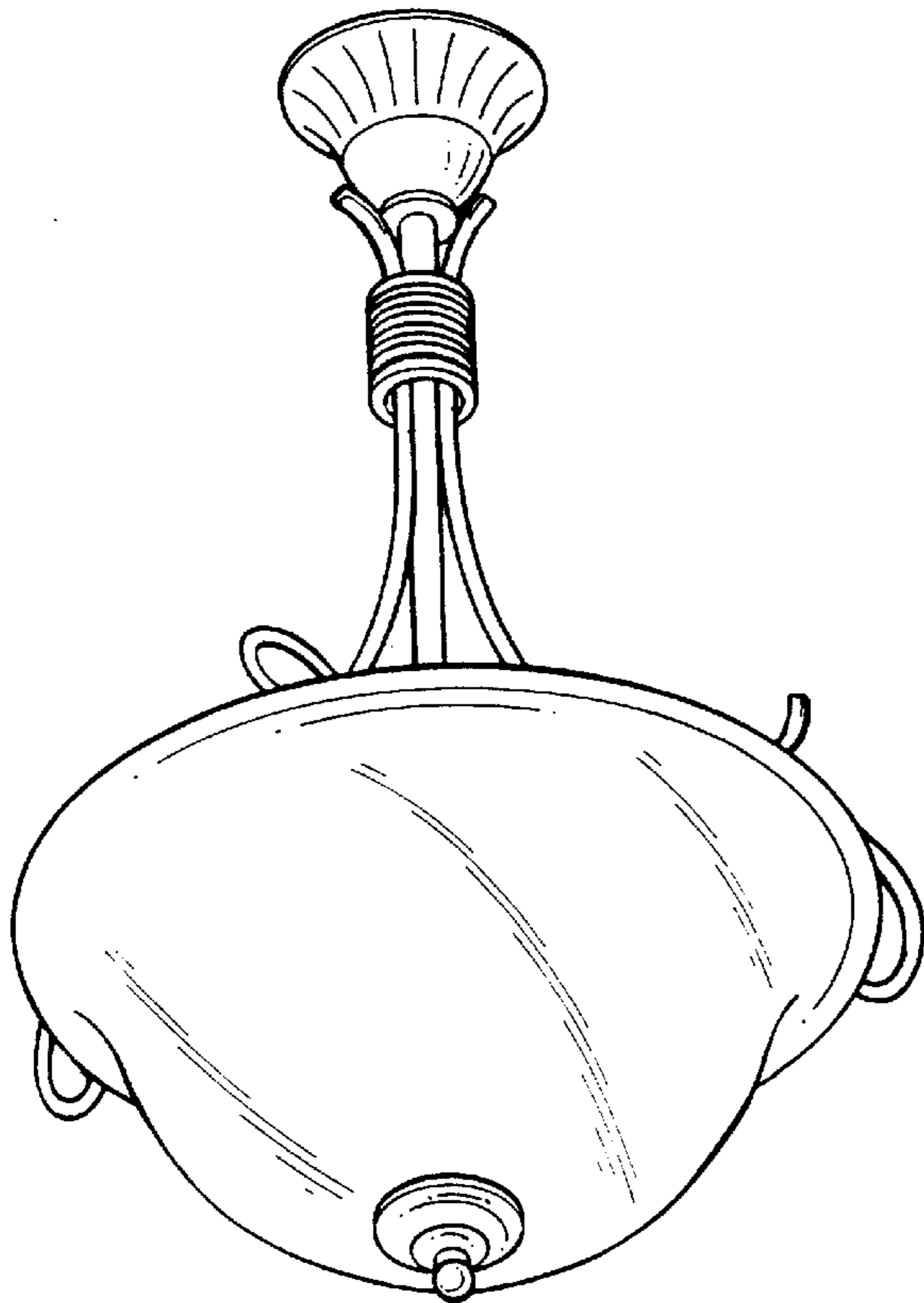
[57] **CLAIM**

The ornamental design for a pendent lamp, as shown and described.

DESCRIPTION

FIG. 1 is a perspective view of a pendent lamp showing my new design;
FIG. 2 is a front elevation view thereof;
FIG. 3 is a rear elevation view thereof;
FIG. 4 is a left side elevation view thereof;
FIG. 5 is a right side elevation view thereof;
FIG. 6 is a top plan view thereof; and,
FIG. 7 is a bottom plan view thereof.

1 Claim, 4 Drawing Sheets



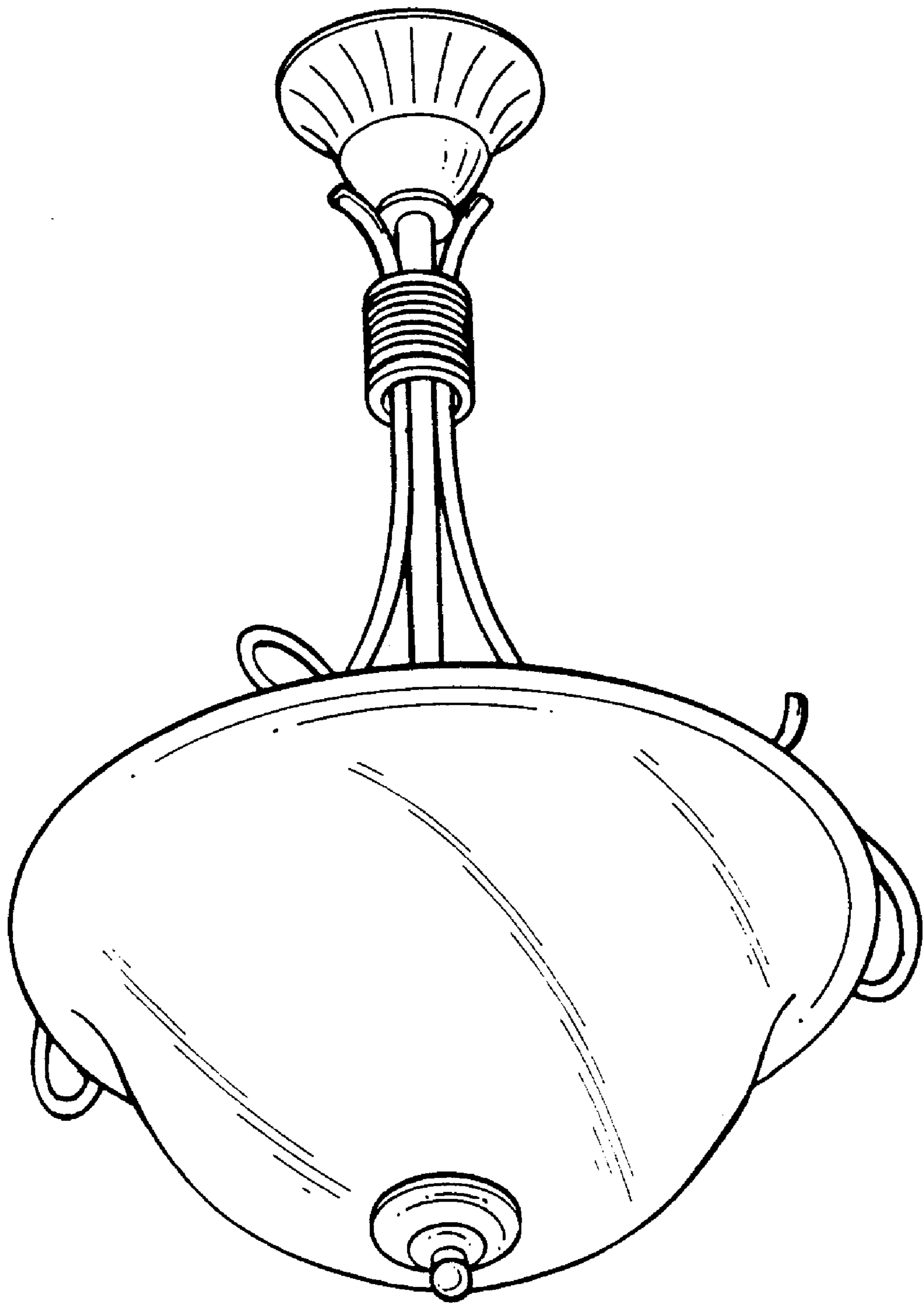


FIG. 1

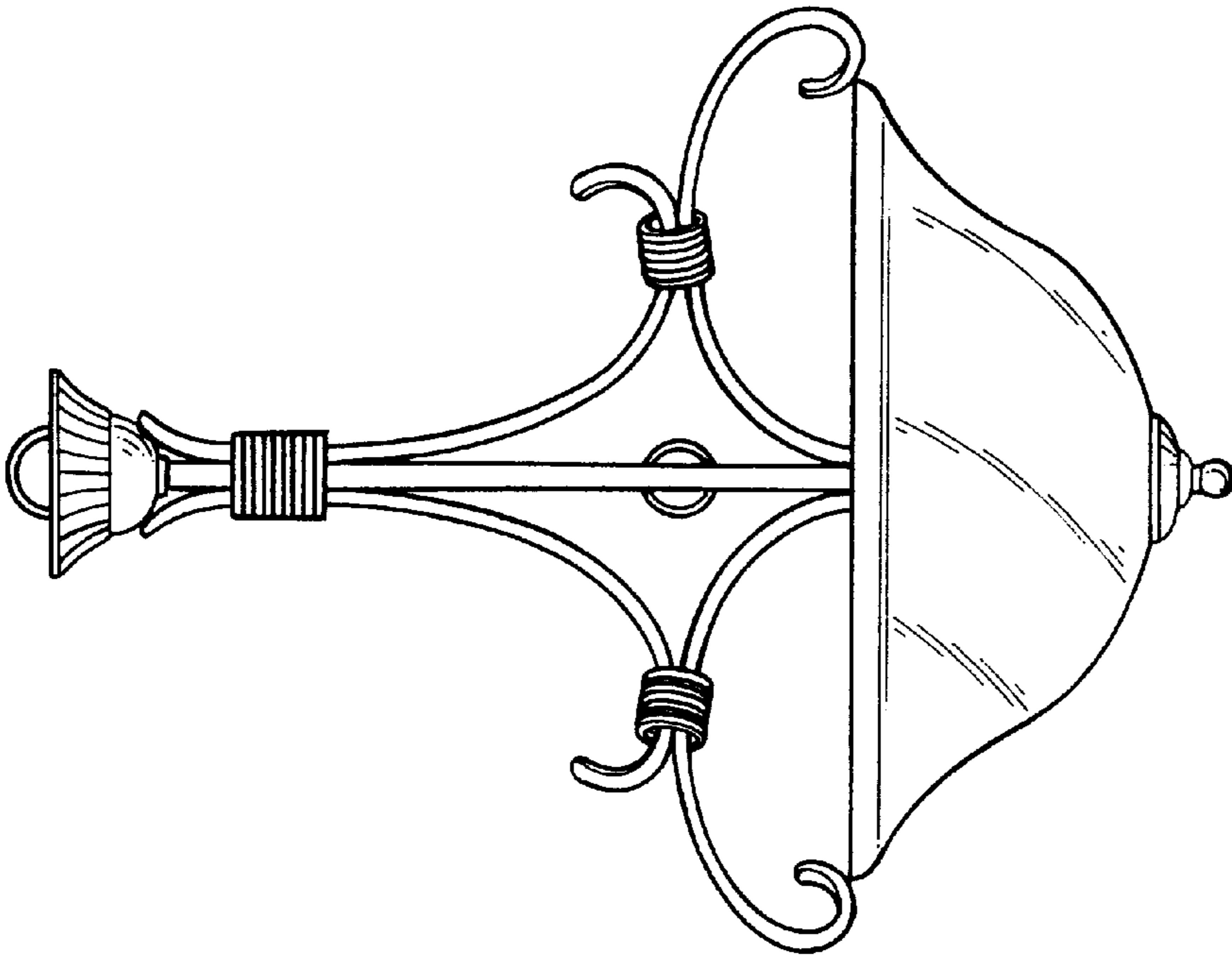


FIG. 3

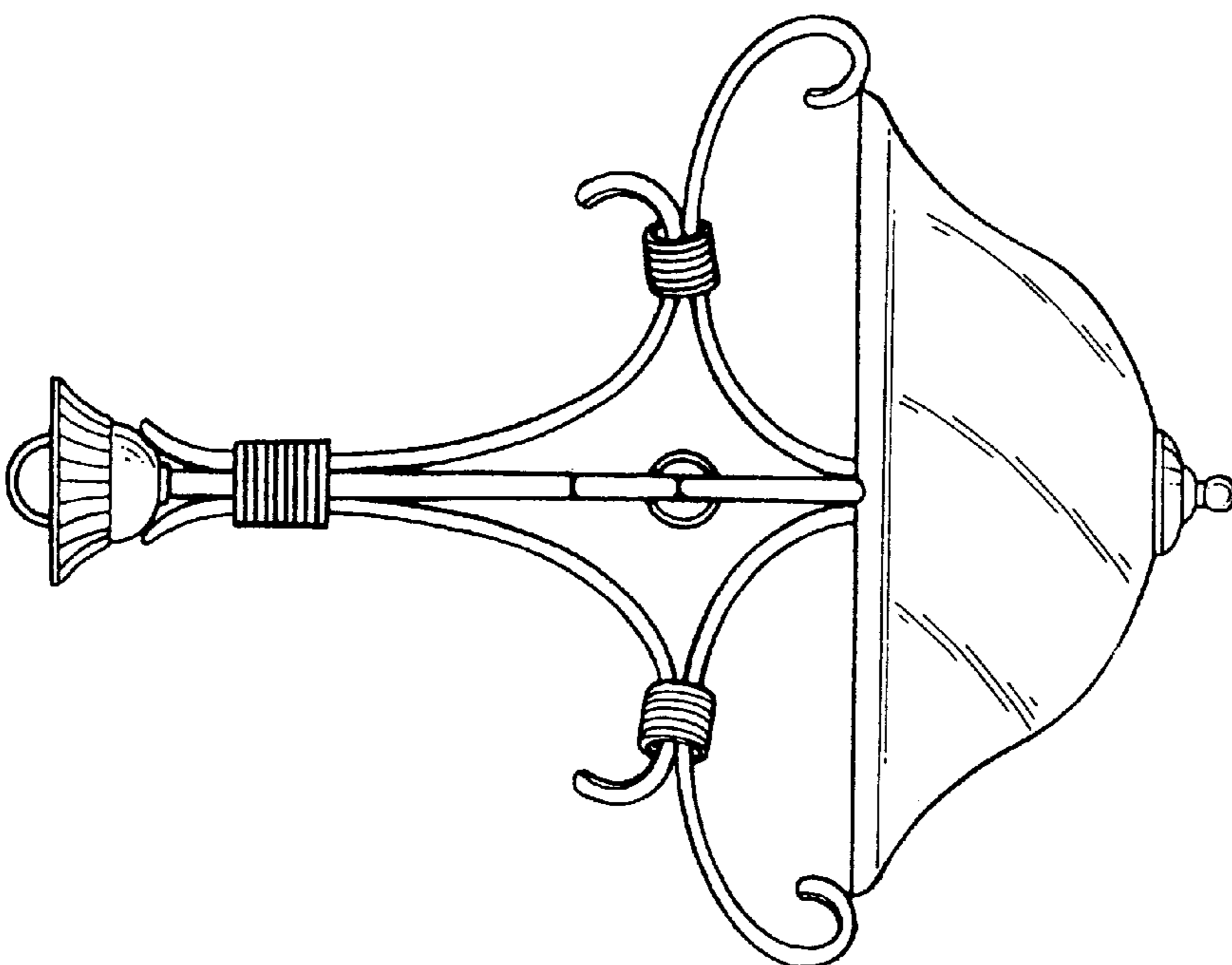


FIG. 2

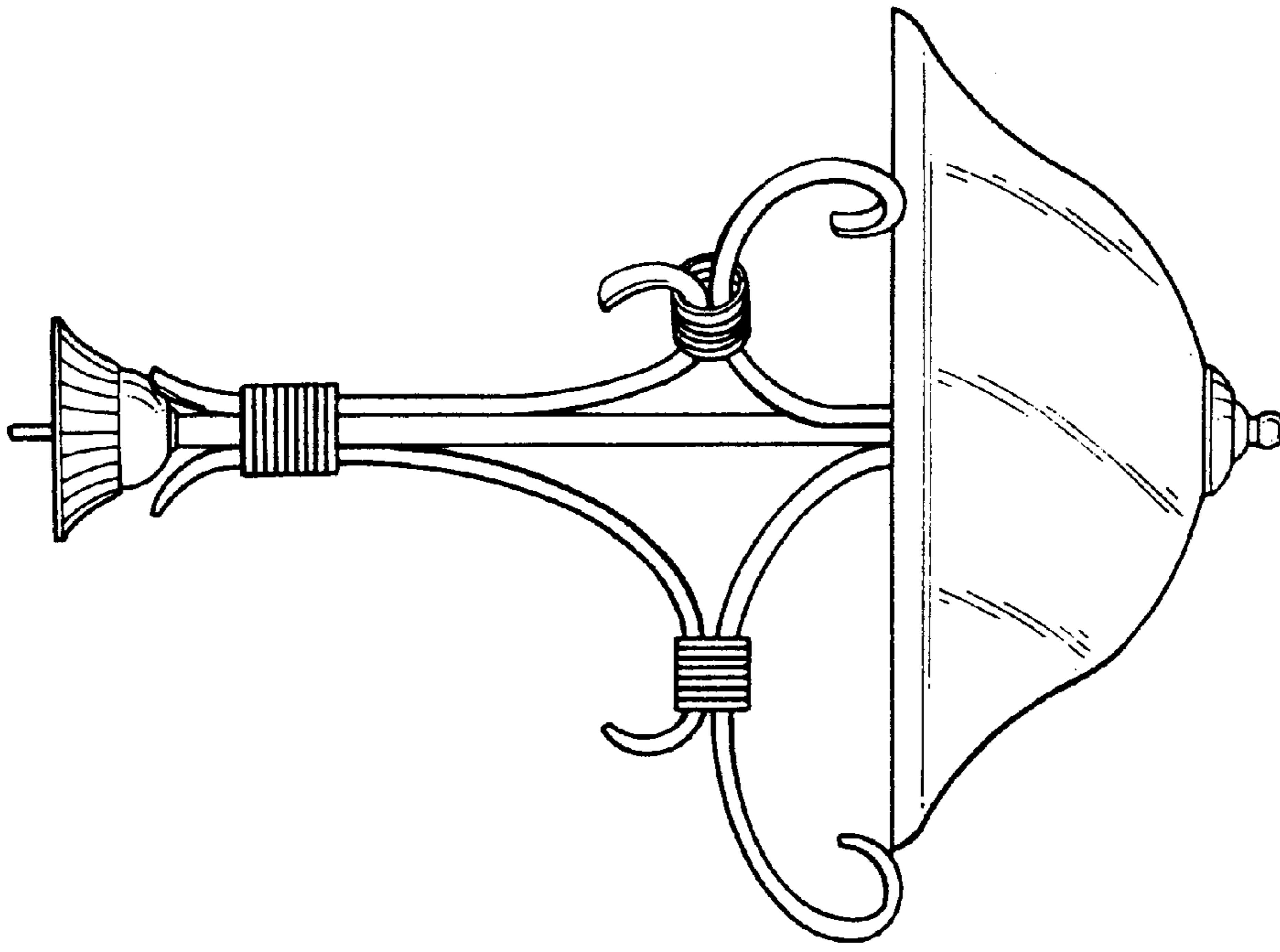


FIG. 5

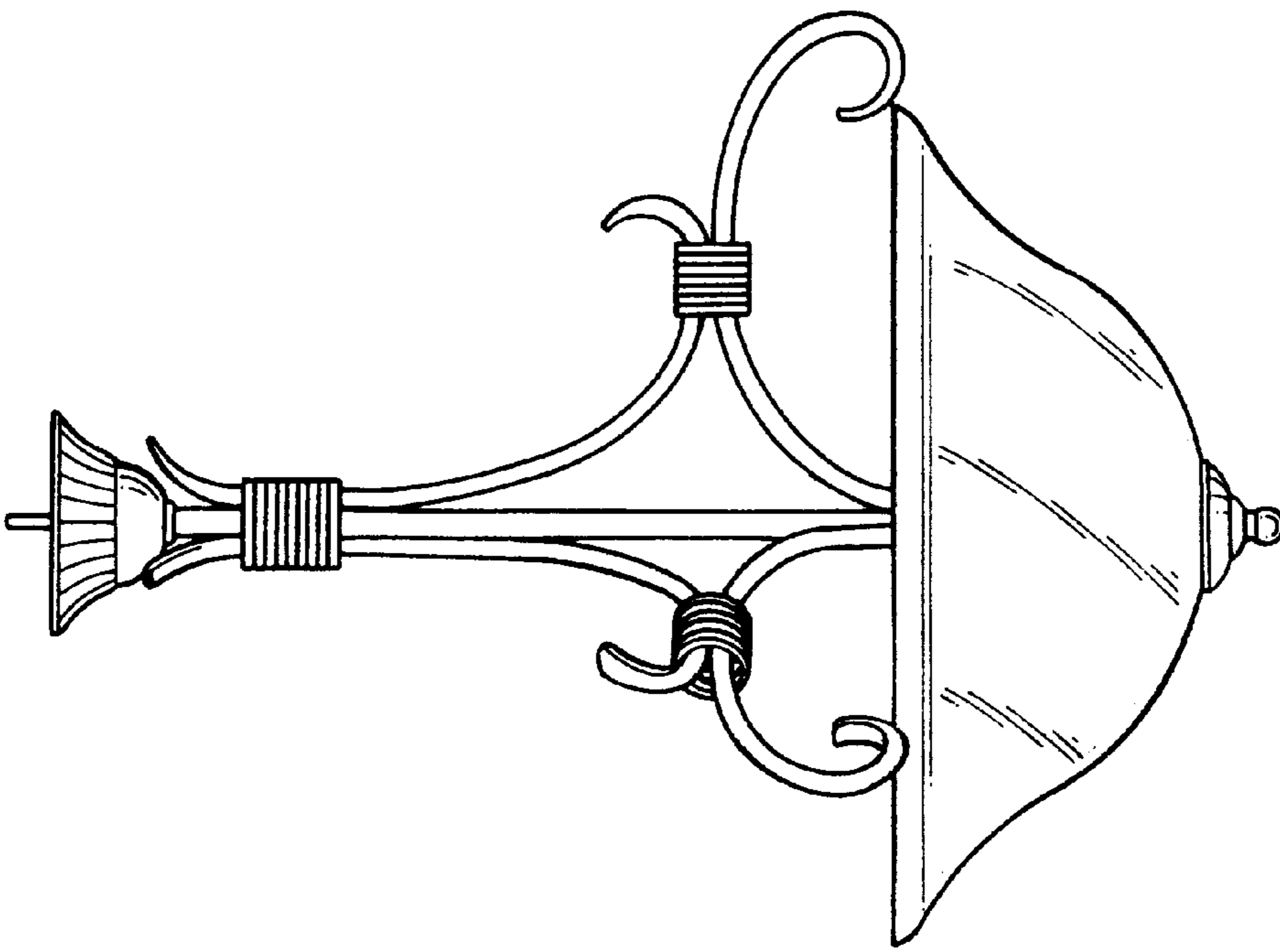


FIG. 4

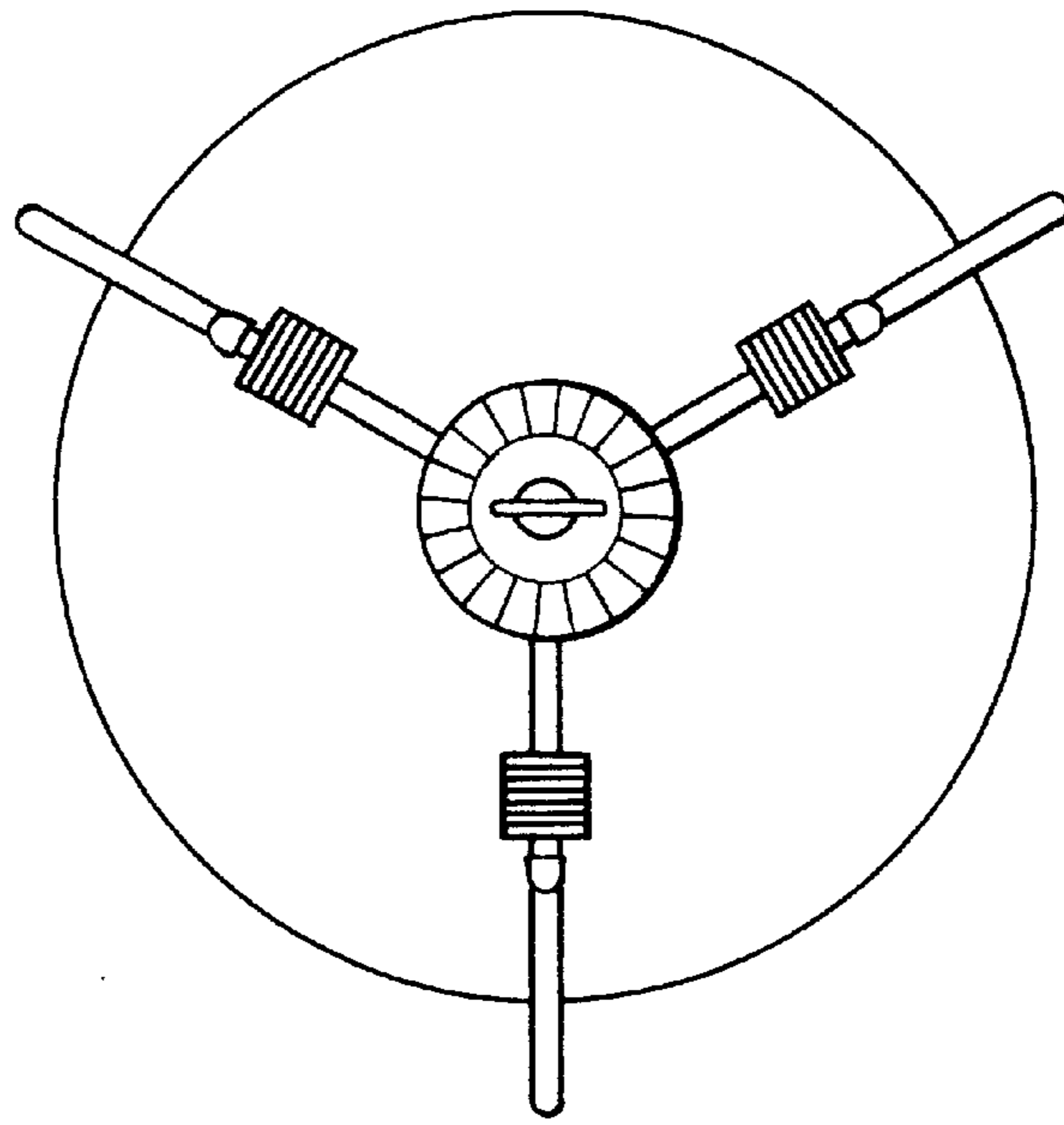


FIG. 6

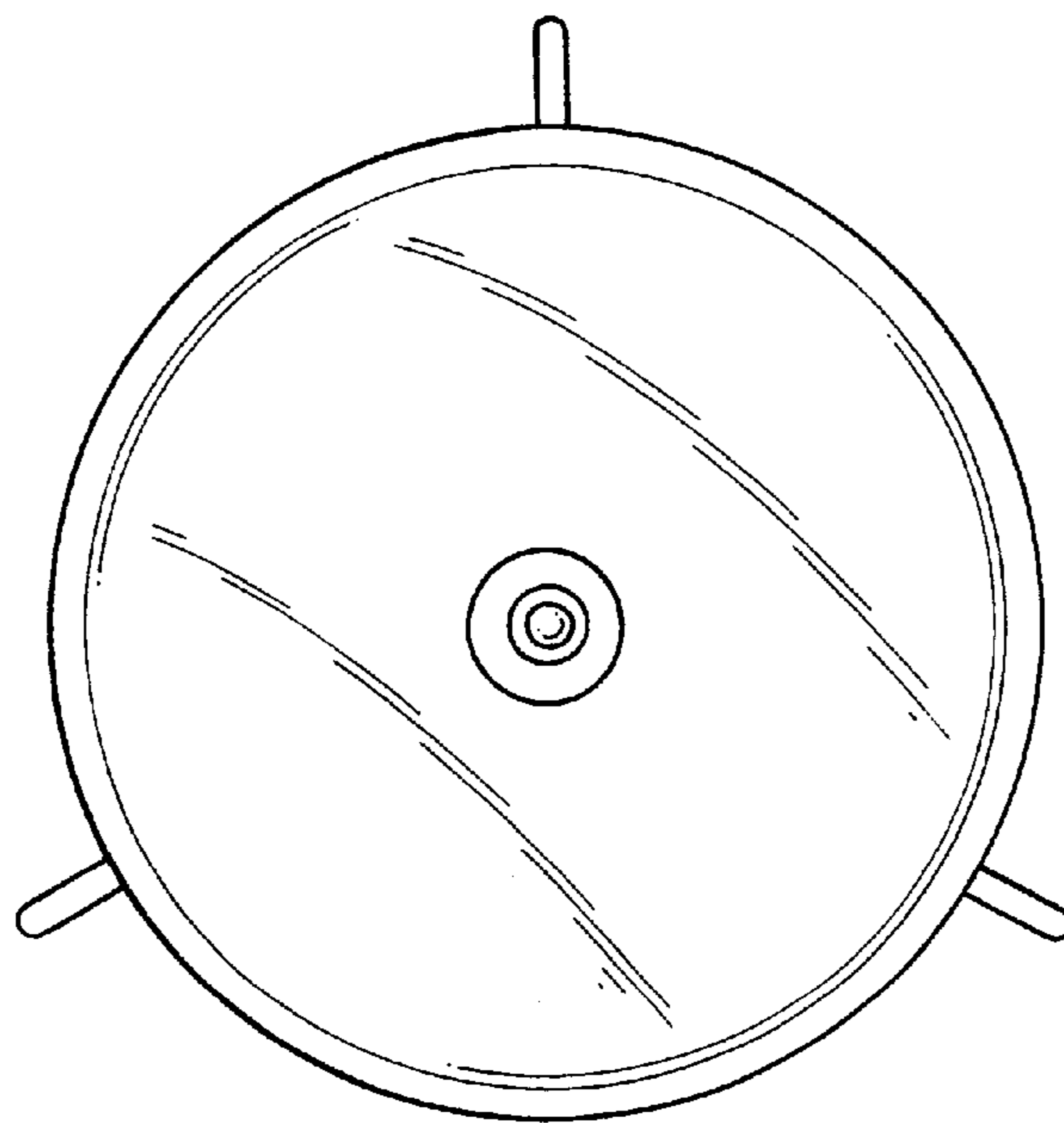


FIG. 7