



US00D431086S

United States Patent [19] Cole, Jr.

[11] Patent Number: **Des. 431,086**

[45] Date of Patent: **** Sep. 19, 2000**

[54] **LIGHTING FIXTURE**

[75] Inventor: **John M. Cole, Jr.**, Hingham, Mass.

[73] Assignee: **Litecontrol Corporation**, Hanson, Mass.

[**] Term: **14 Years**

[21] Appl. No.: **29/110,440**

[22] Filed: **Sep. 7, 1999**

[51] **LOC (7) Cl.** **26-05**

[52] **U.S. Cl.** **D26/76**

[58] **Field of Search** D26/75-78, 24, D26/118; 362/217, 218, 219, 222, 223, 279, 290, 291, 297, 362

[56] **References Cited**

U.S. PATENT DOCUMENTS

- D. 263,805 4/1982 Cole, Jr. D26/76
- D. 399,588 10/1998 St. Ives D26/76

D. 414,287 9/1999 Sapper D26/76

Primary Examiner—Susan J. Lucas
Attorney, Agent, or Firm—Fish & Richardson P.C.

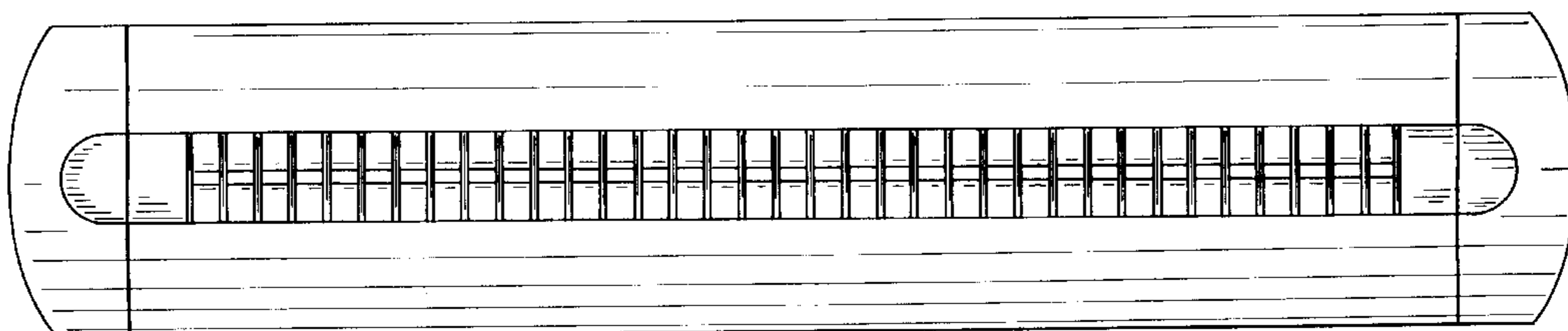
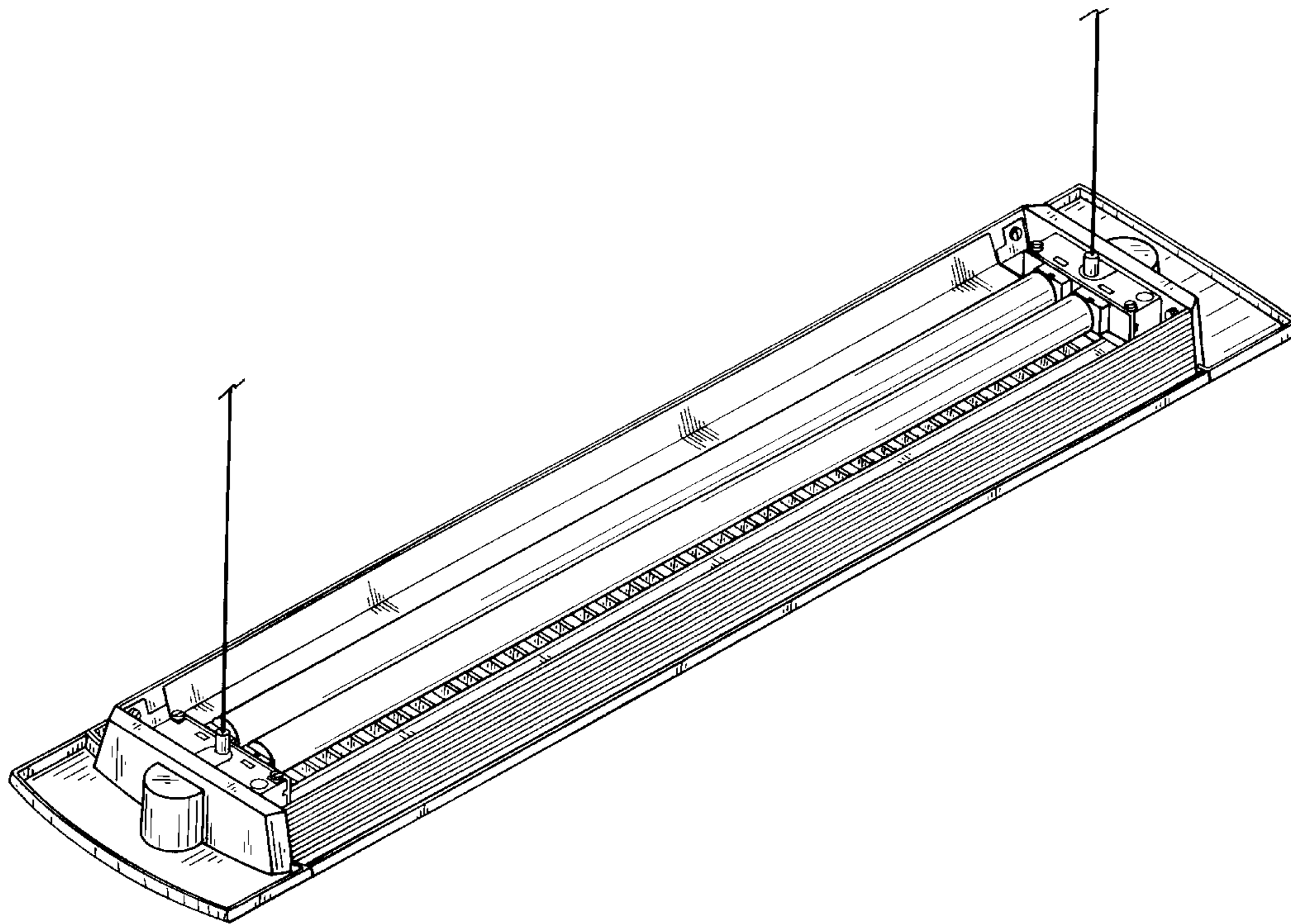
[57] **CLAIM**

The ornamental design for a lighting fixture, substantially as shown and described.

DESCRIPTION

FIG. 1 is a top perspective view of the lighting fixture showing my new design;
 FIG. 2 is a top plan view of the lighting fixture shown in FIG. 1;
 FIG. 3 is a bottom plan view of the lighting fixture shown in FIG. 1;
 FIGS. 4 and 5 are left and right side elevation views of the lighting fixture shown in FIG. 1; and,
 FIGS. 6 and 7 are front and rear elevation views of the lighting fixture shown in FIG. 1.

1 Claim, 4 Drawing Sheets



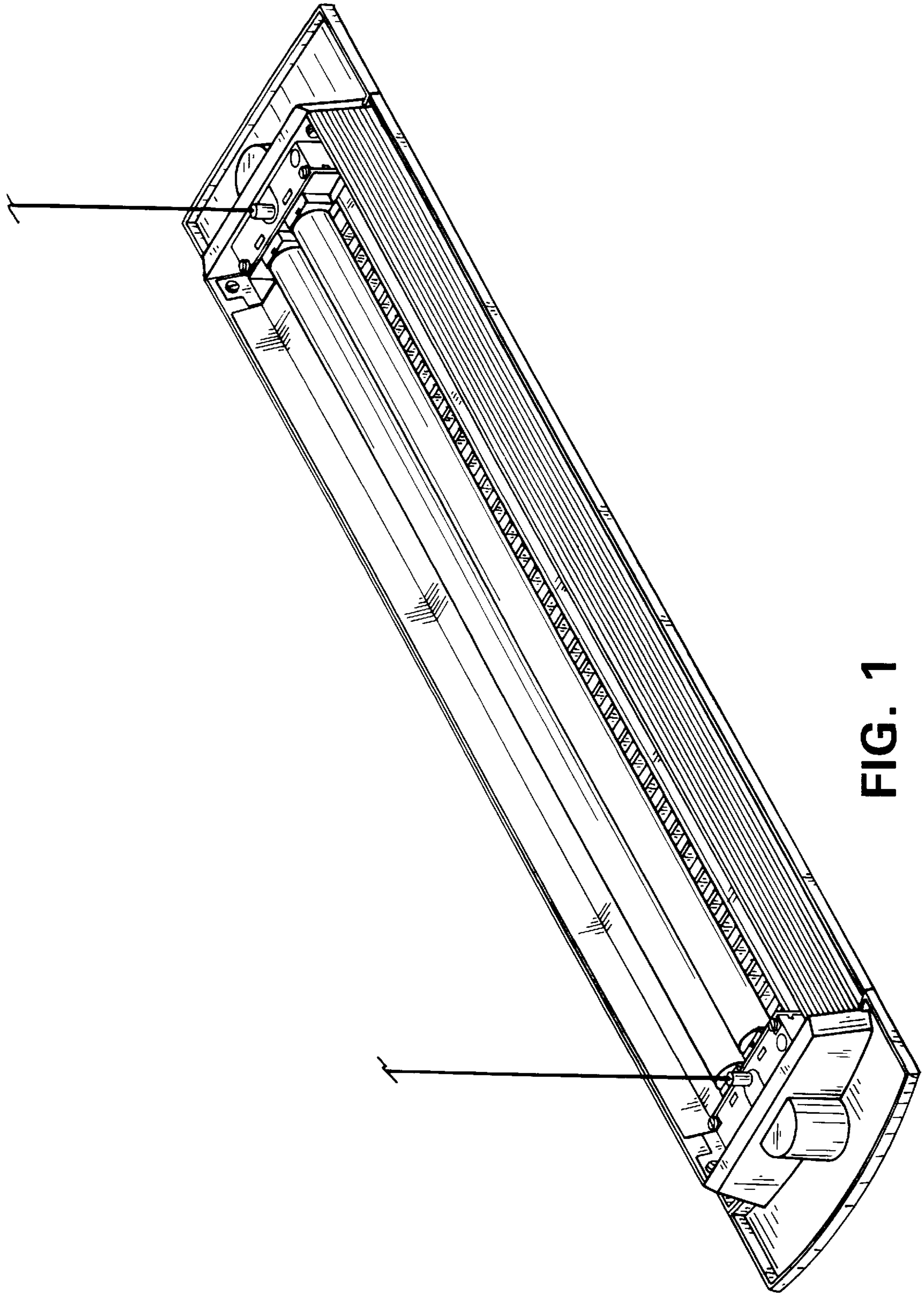


FIG. 1

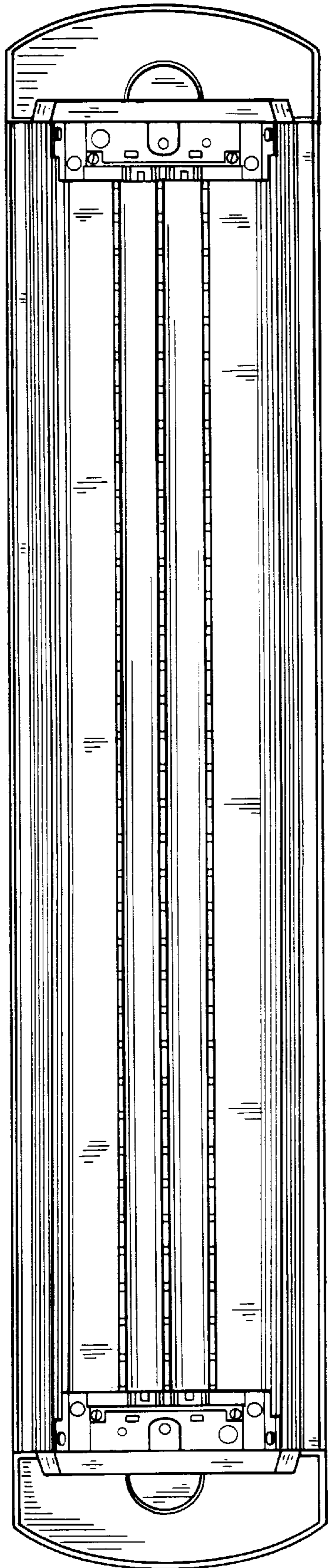


FIG. 2

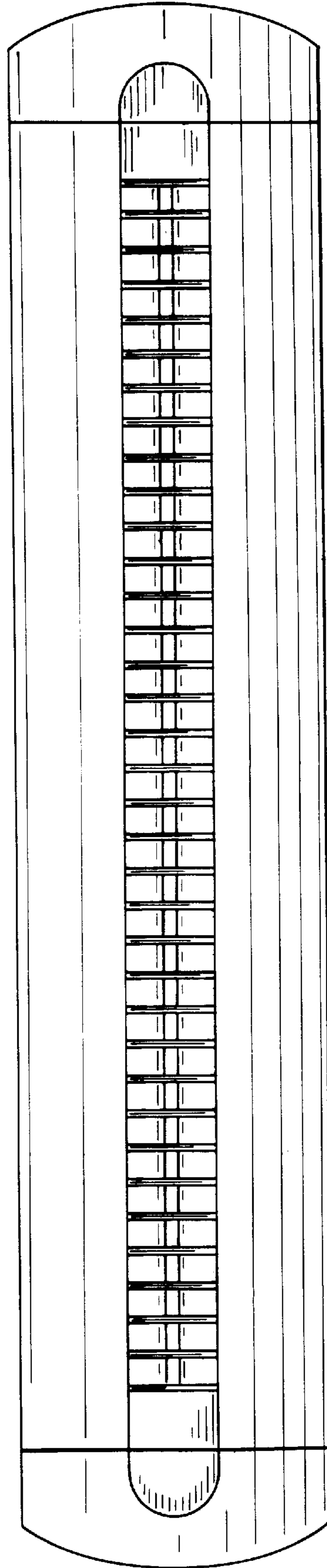


FIG. 3

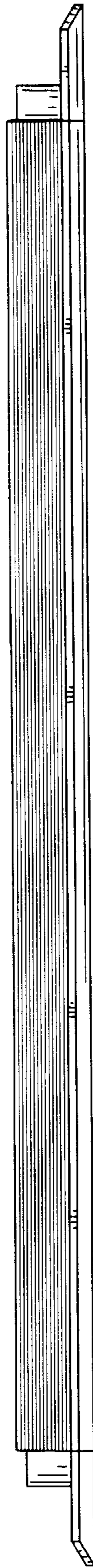


FIG. 4

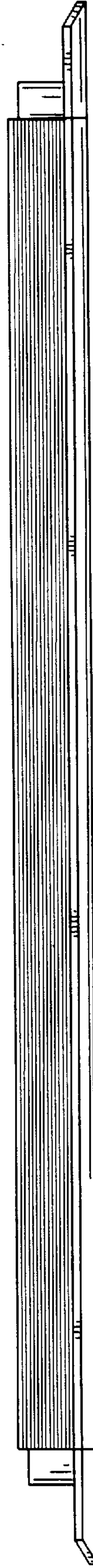


FIG. 5

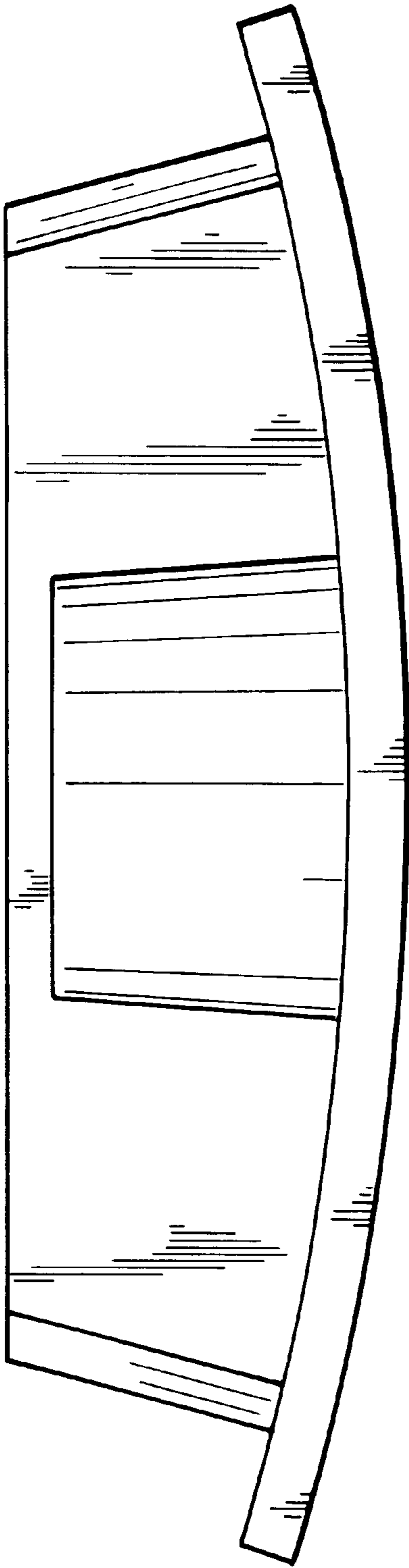


FIG. 6

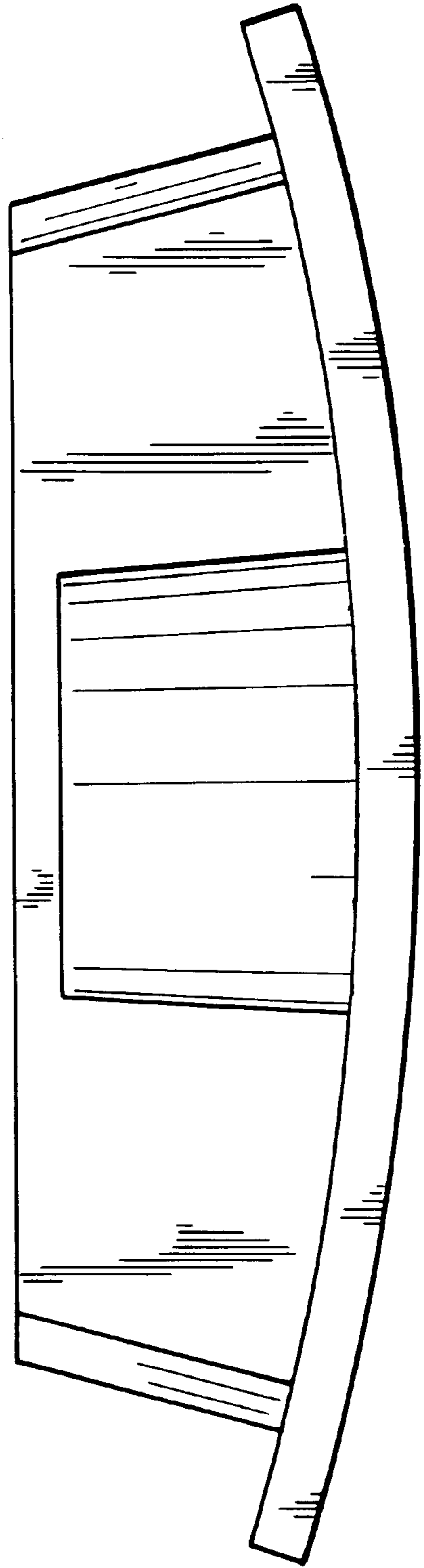


FIG. 7