



US00D431085S

United States Patent [19] Poon

[11] **Patent Number: Des. 431,085**

[45] **Date of Patent: ** Sep. 19, 2000**

[54] **FLASHLIGHT**

[75] **Inventor: Tit Wing Poon, Shatin, China**

[73] **Assignee: Flying Dragon Development Ltd.,
Shatin, China**

[**] **Term: 14 Years**

[21] **Appl. No.: 29/115,256**

[22] **Filed: Dec. 9, 1999**

[51] **LOC (7) Cl. 26-02**

[52] **U.S. Cl. D26/49**

[58] **Field of Search D26/37-50; 362/157,
362/158, 183-206**

[56] **References Cited**

U.S. PATENT DOCUMENTS

D. 395,719 6/1998 Concari D26/49

D. 395,722 6/1998 Howard et al. D26/49

D. 410,761 6/1999 Chiu D26/49

D. 411,023 6/1999 Yau D26/49

D. 420,457 2/2000 Breit D26/49

Primary Examiner—Marcus A. Jackson
Attorney, Agent, or Firm—Alix, Yale & Ristas, LLP

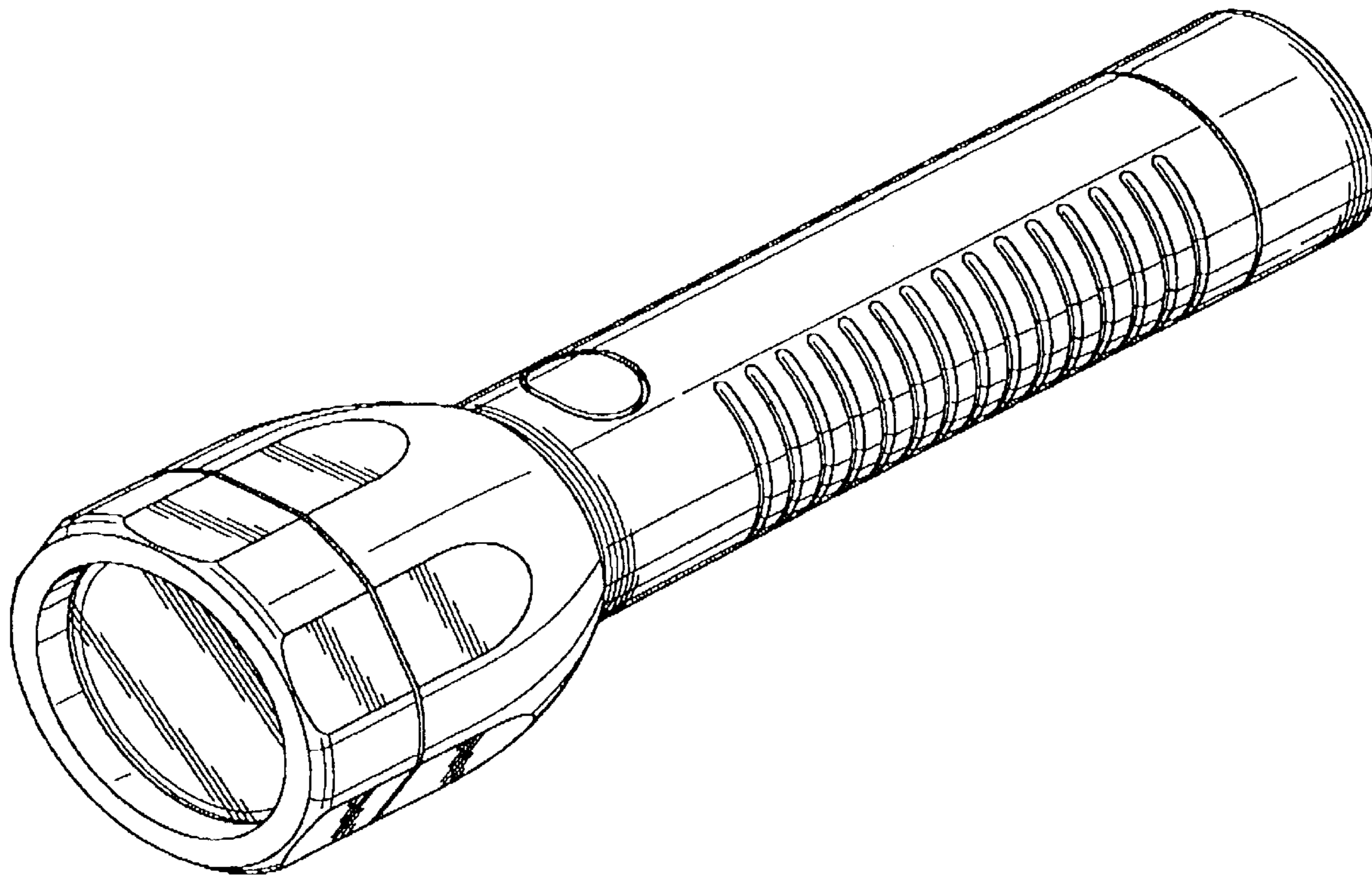
[57] **CLAIM**

The ornamental design for a flashlight, as shown and described.

DESCRIPTION

FIG. 1 is a front perspective view of the flashlight showing my new design;
FIG. 2 is a top plan view of the flashlight of FIG. 1;
FIG. 3 is a right side view of the flashlight of FIG. 1;
FIG. 4 is a left side view of the flashlight of FIG. 1;
FIG. 5 is a bottom plan view of the flashlight of FIG. 1;
FIG. 6 is a front view of the flashlight of FIG. 1; and,
FIG. 7 is a rear view of the flashlight of FIG. 1.

1 Claim, 4 Drawing Sheets



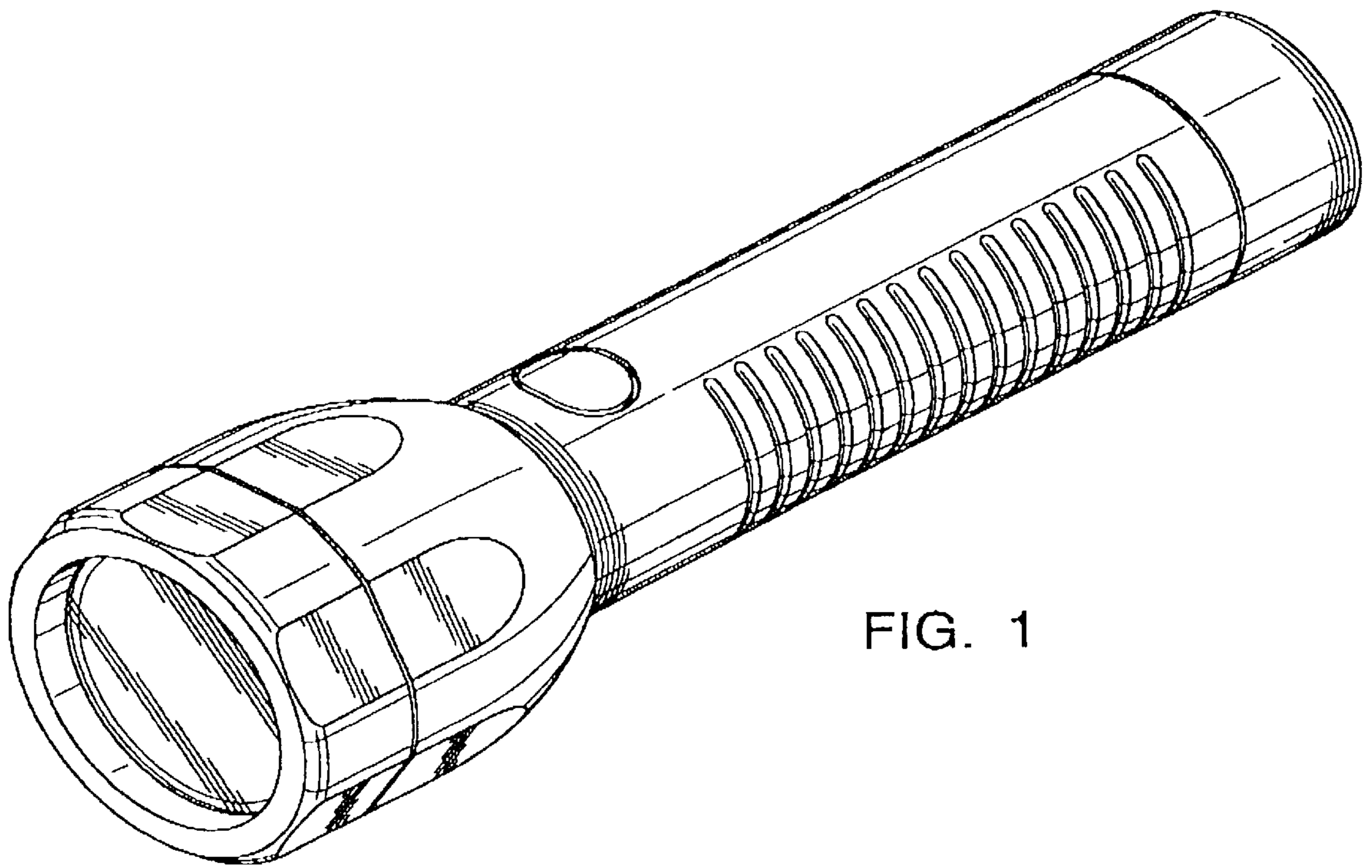


FIG. 1

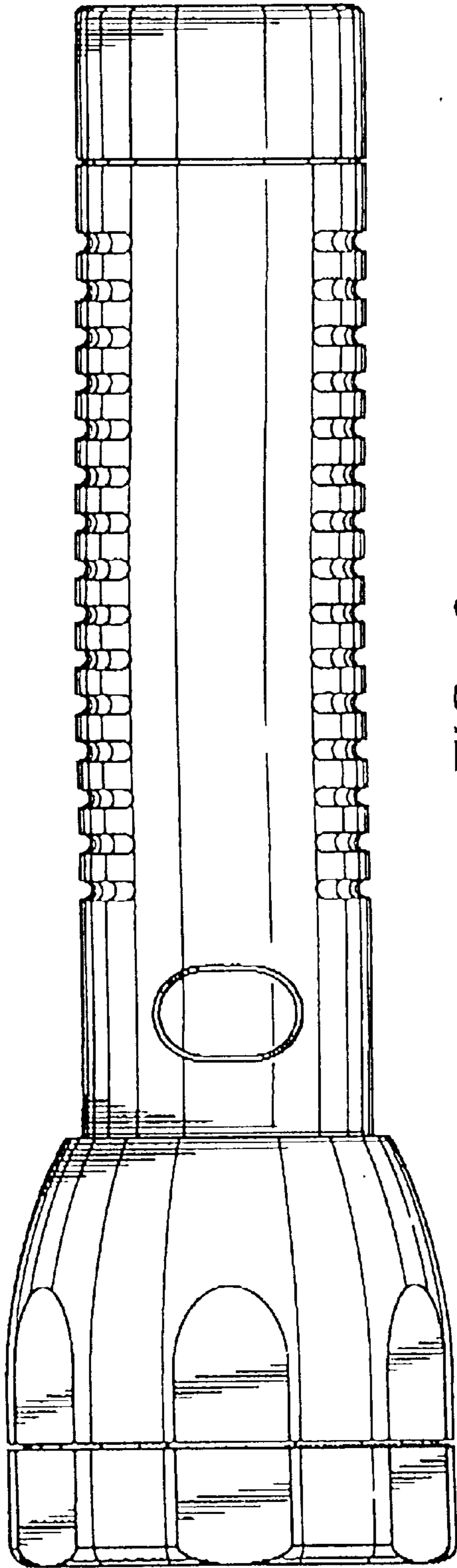


FIG. 2

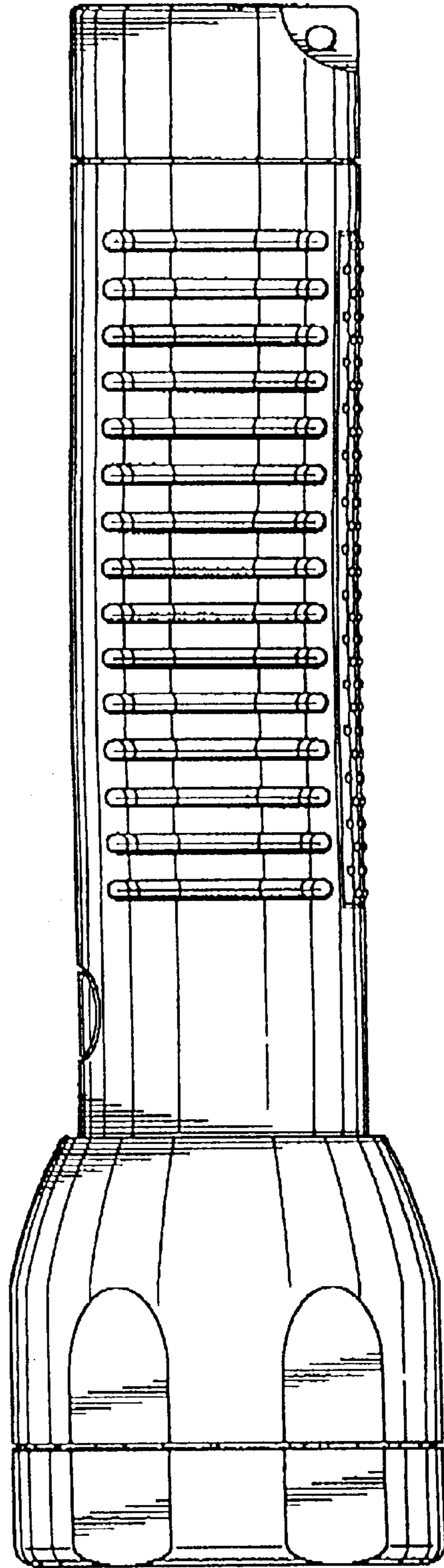


FIG. 3

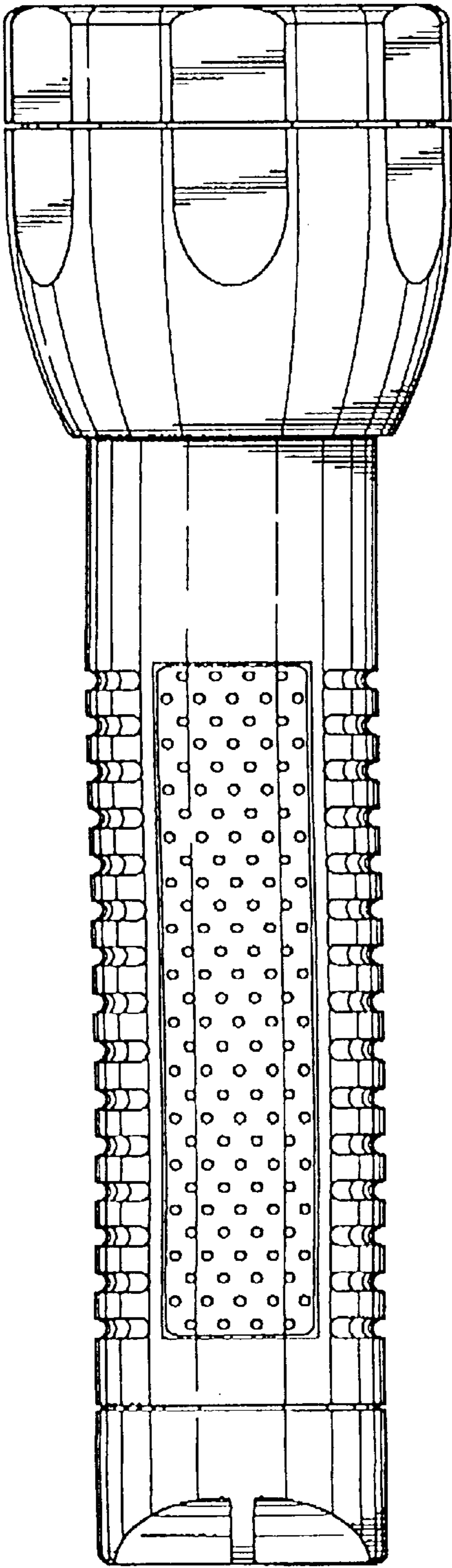


FIG. 5

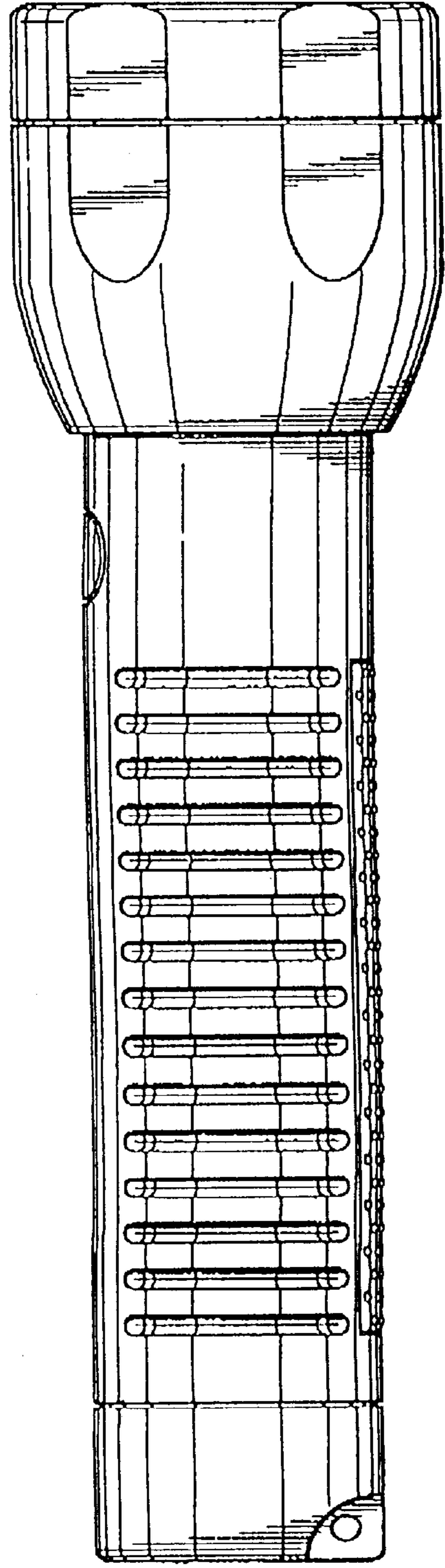


FIG. 4

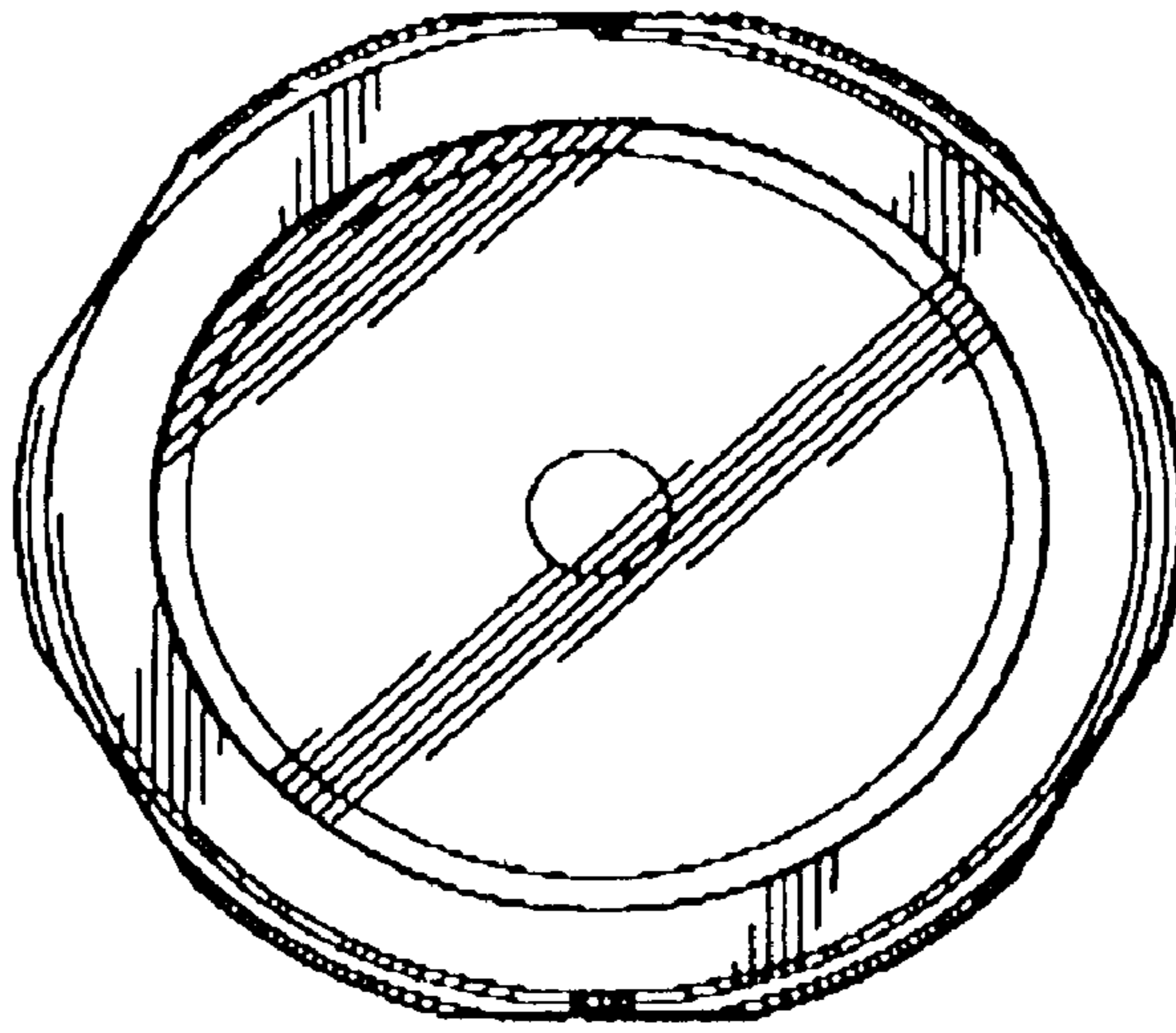


FIG. 6

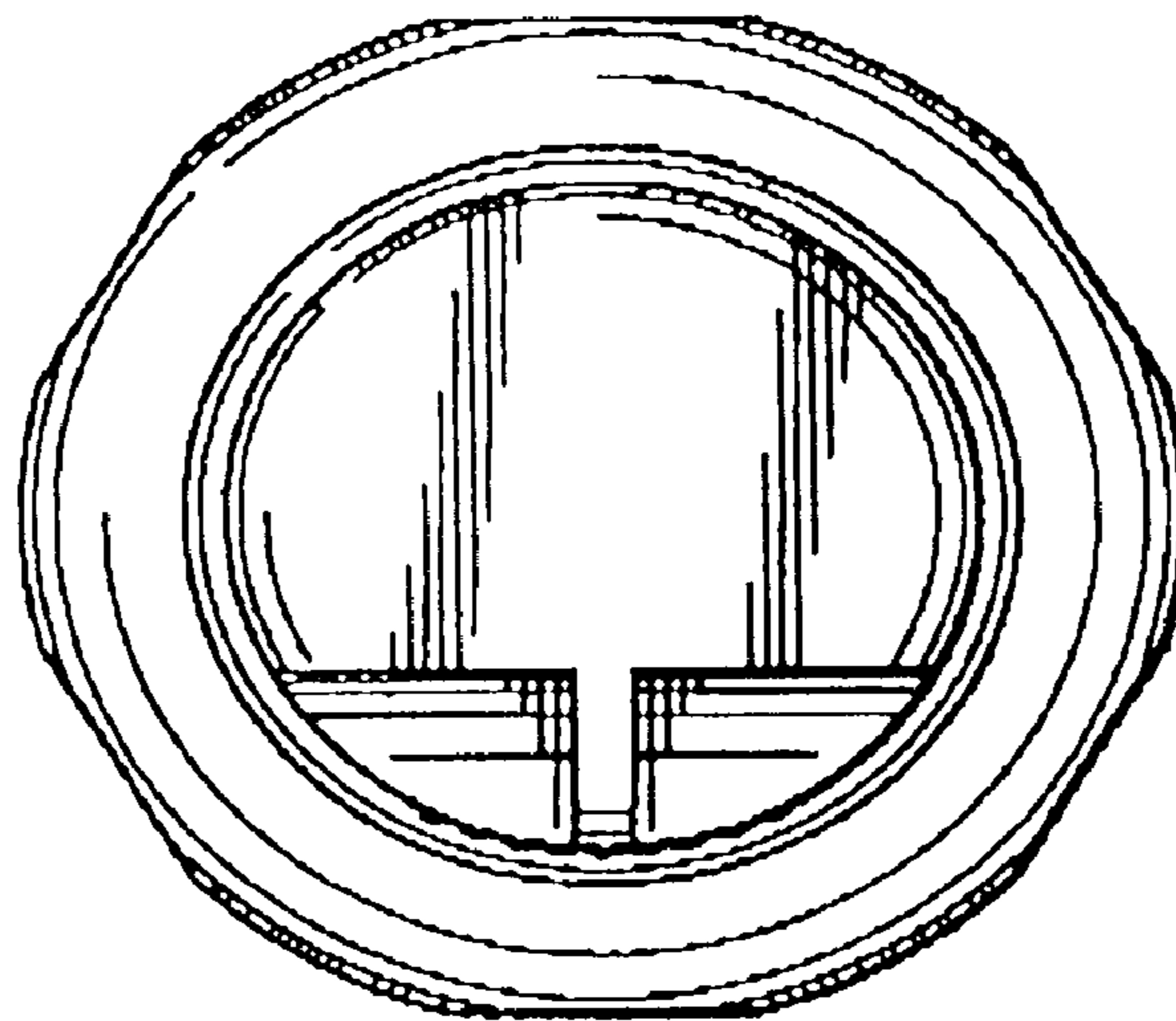


FIG. 7