



US00D431082S

United States Patent [19]

[11] Patent Number: Des. 431,082

Jaros

[45] Date of Patent: ** Sep. 19, 2000

[54] INTERLOCKING BARRIER

5,134,815	8/1992	Pickett	D25/58 X
5,336,016	8/1994	Baatz	404/6
5,494,371	2/1996	Oberth et al.	404/6

[76] Inventor: Denis J. Jaros, 8008 S. Komensky, Chicago, Ill. 60652

[**] Term: 14 Years

Primary Examiner—Louis S. Zarfes
Assistant Examiner—Robert A. Delehanty
Attorney, Agent, or Firm—Leo H. McCormick, Jr.

[21] Appl. No.: 29/103,269

[57] CLAIM

[22] Filed: Apr. 12, 1999

The ornamental design for an interlocking barrier, as shown and described.

[51] LOC (7) Cl. 25-01

[52] U.S. Cl. D25/113

[58] Field of Search D25/110, 102,
D25/164, 113-118; D21/484-486, 488-493,
499-505; 52/574-575, 596, 604-612; 404/6-9,
32, 43, 19-20, 50, 71

DESCRIPTION

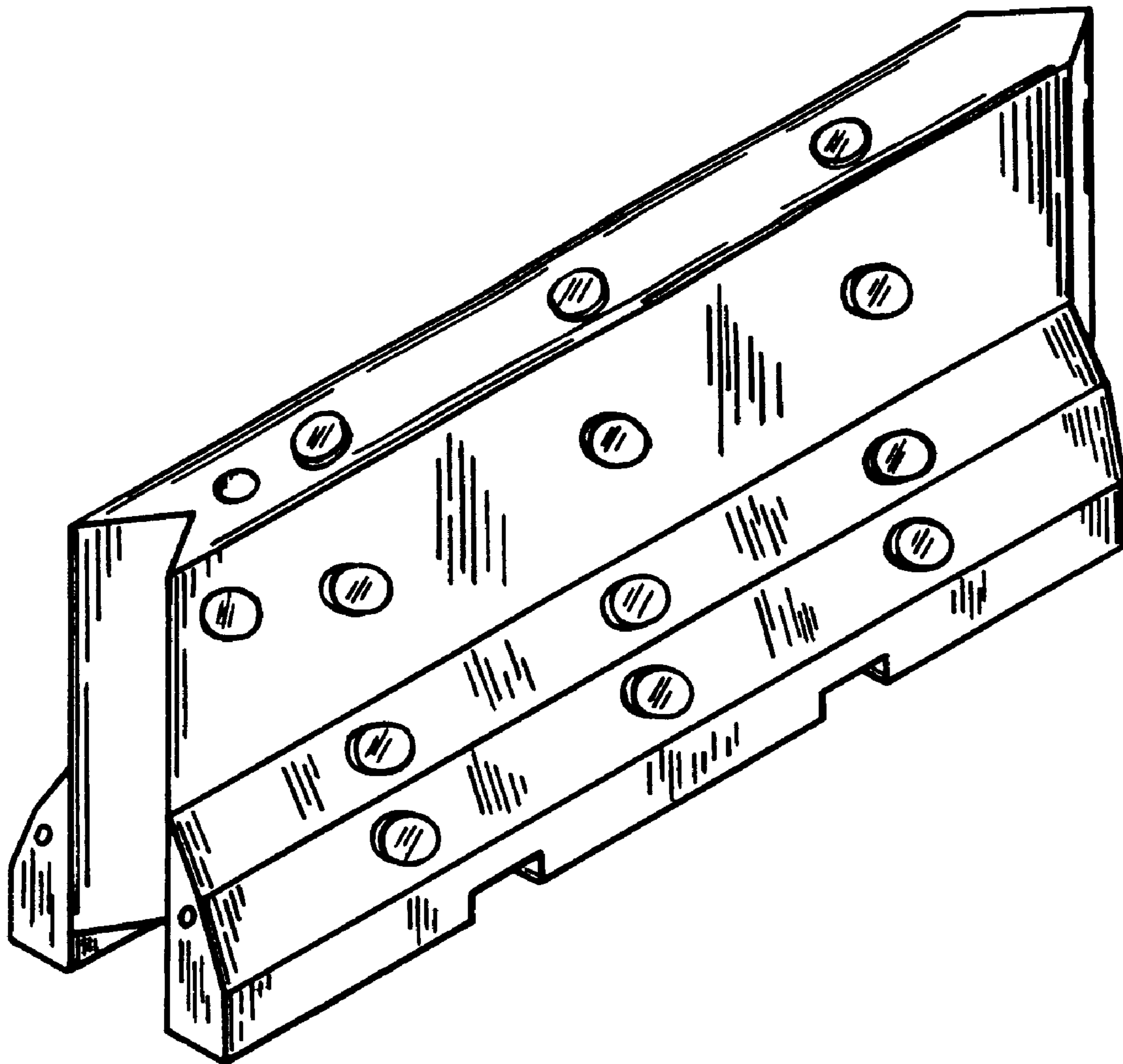
FIG. 1 is a prospective view of an interlocking barrier showing my new design;
FIG. 2 is a rear end elevation view thereof;
FIG. 3 is a right side elevation view, the opposite side being a mirror image thereof;
FIG. 4 is a front end elevation view thereof; and,
FIG. 5 is a bottom elevation view thereof.

[56] References Cited

U.S. PATENT DOCUMENTS

4,059,362	11/1977	Smith	404/6
4,869,617	9/1989	Chiodo	404/6
5,118,216	6/1992	Smith	404/6

1 Claim, 1 Drawing Sheet



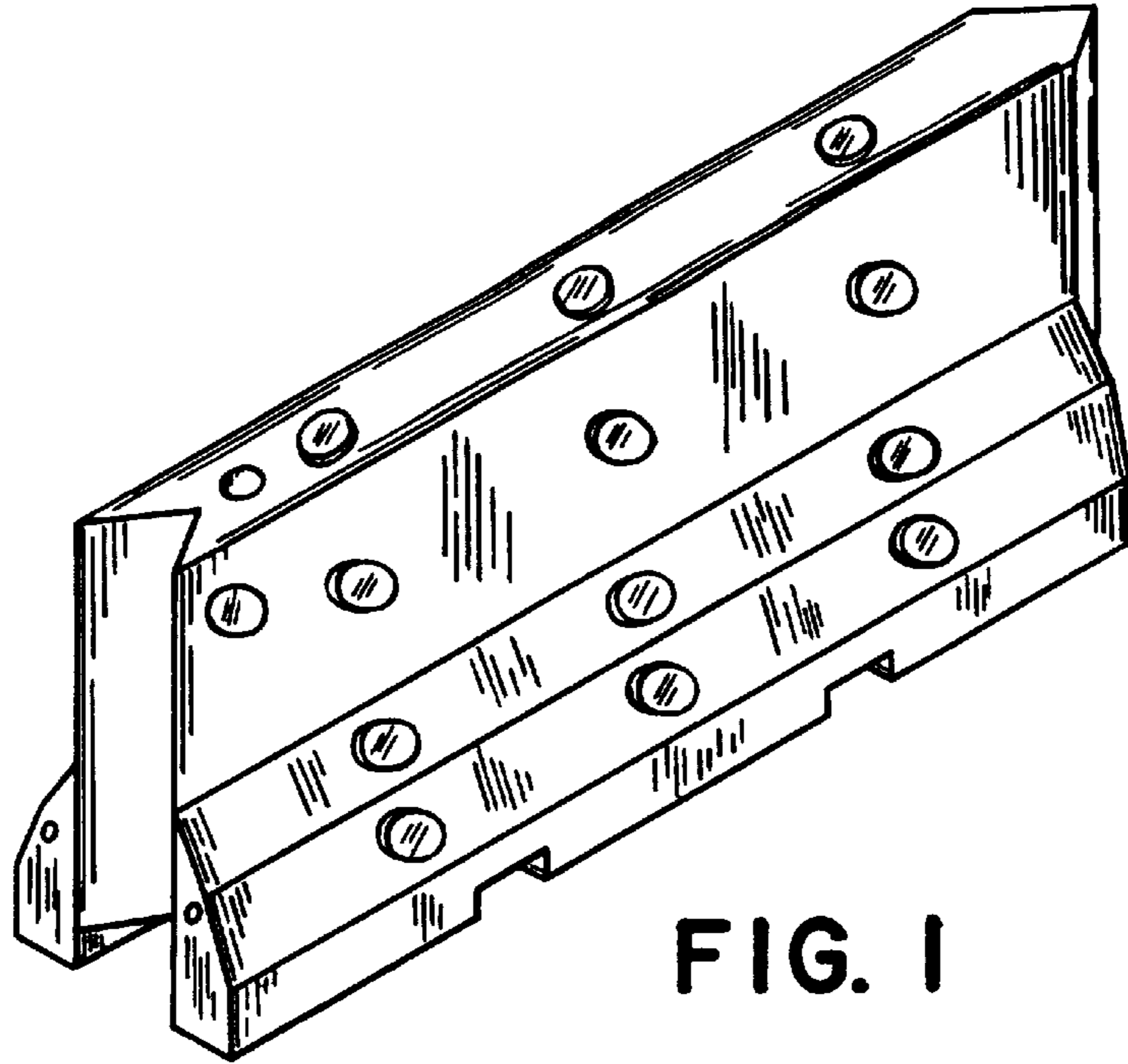


FIG. 1

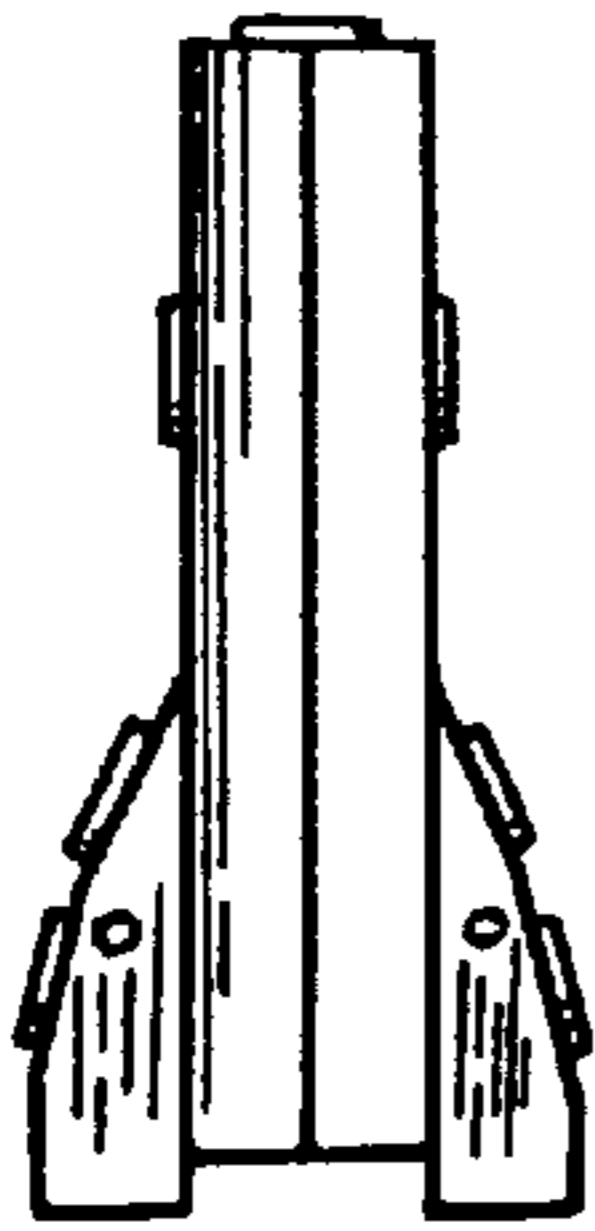


FIG. 2

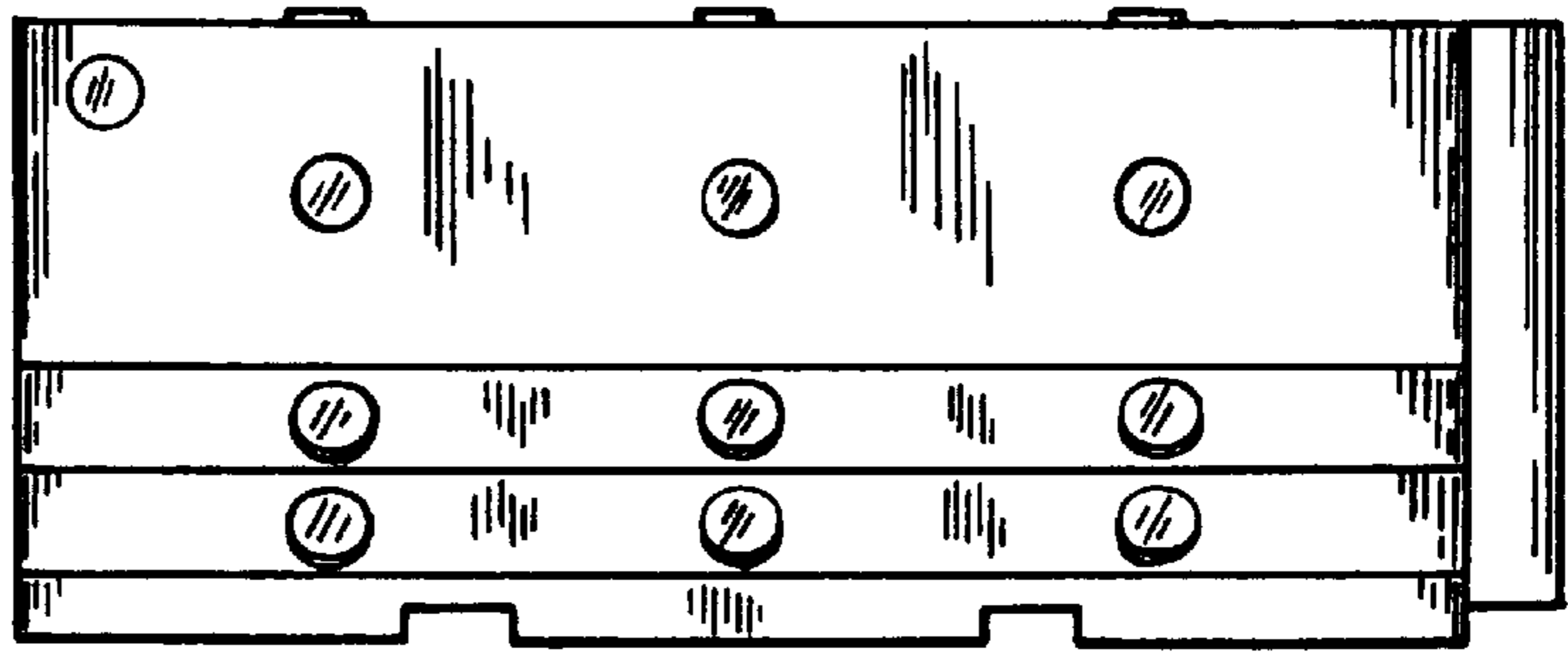


FIG. 3

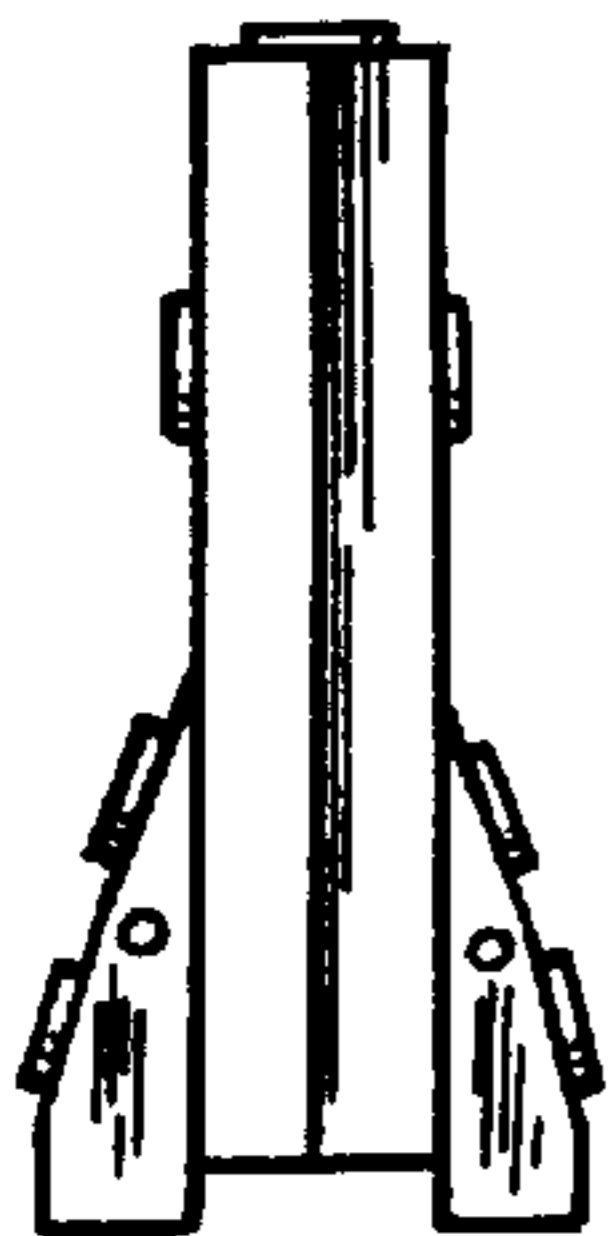


FIG. 4

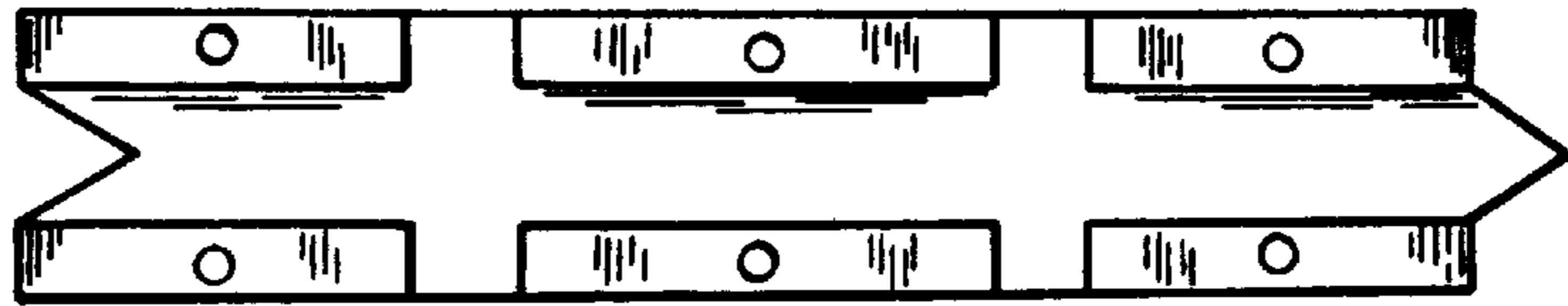


FIG. 5