



US00D431081S

# United States Patent [19]

Johansson et al.

[11] **Patent Number: Des. 431,081**

[45] **Date of Patent: \*\* Sep. 19, 2000**

[54] **LADDER SUPPORT**

[75] Inventors: **Kjell Johansson; Ove Gustavsson,**  
both of Forserum, Sweden

[73] Assignee: **AB Forserums Verktygsindustri,**  
Forserum, Sweden

[\*\*] Term: **14 Years**

[21] Appl. No.: **29/113,957**

[22] Filed: **Nov. 15, 1999**

[30] **Foreign Application Priority Data**

May 25, 1999 [DK] Denmark ..... 1999 00589

[51] **LOC (7) Cl.** ..... **25-04**

[52] **U.S. Cl.** ..... **D25/68**

[58] **Field of Search** ..... D25/68; 182/107,  
182/108, 109, 111

[56] **References Cited**

**U.S. PATENT DOCUMENTS**

D. 422,091 3/2000 Michelsen ..... D25/68

3,080,601	3/1963	Kramcsak, Jr. ....	182/108
4,846,305	7/1989	Kupfert .....	182/111
5,791,435	8/1998	Garnett .....	182/107

*Primary Examiner*—Doris Clark  
*Attorney, Agent, or Firm*—Davis and Bujold

[57] **CLAIM**

The ornamental design for a ladder support, as shown and described.

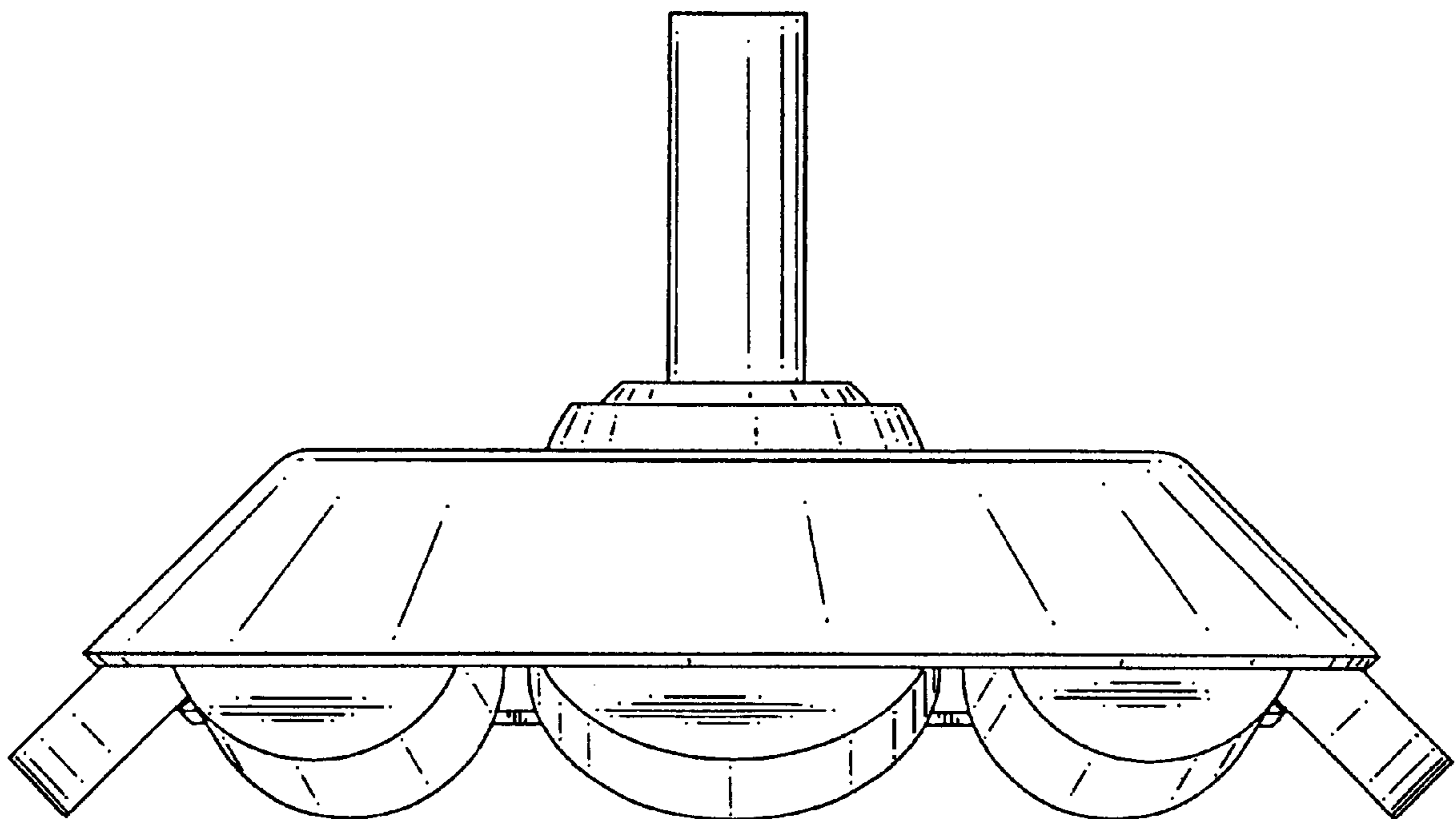
**DESCRIPTION**

FIG. 1 is a side view of a ladder support showing my new design;

FIG. 2 is a top plan view of the ladder support shown in FIG. 1; and,

FIG. 3 is a bottom plan view of the ladder support shown in FIG. 1.

**1 Claim, 2 Drawing Sheets**



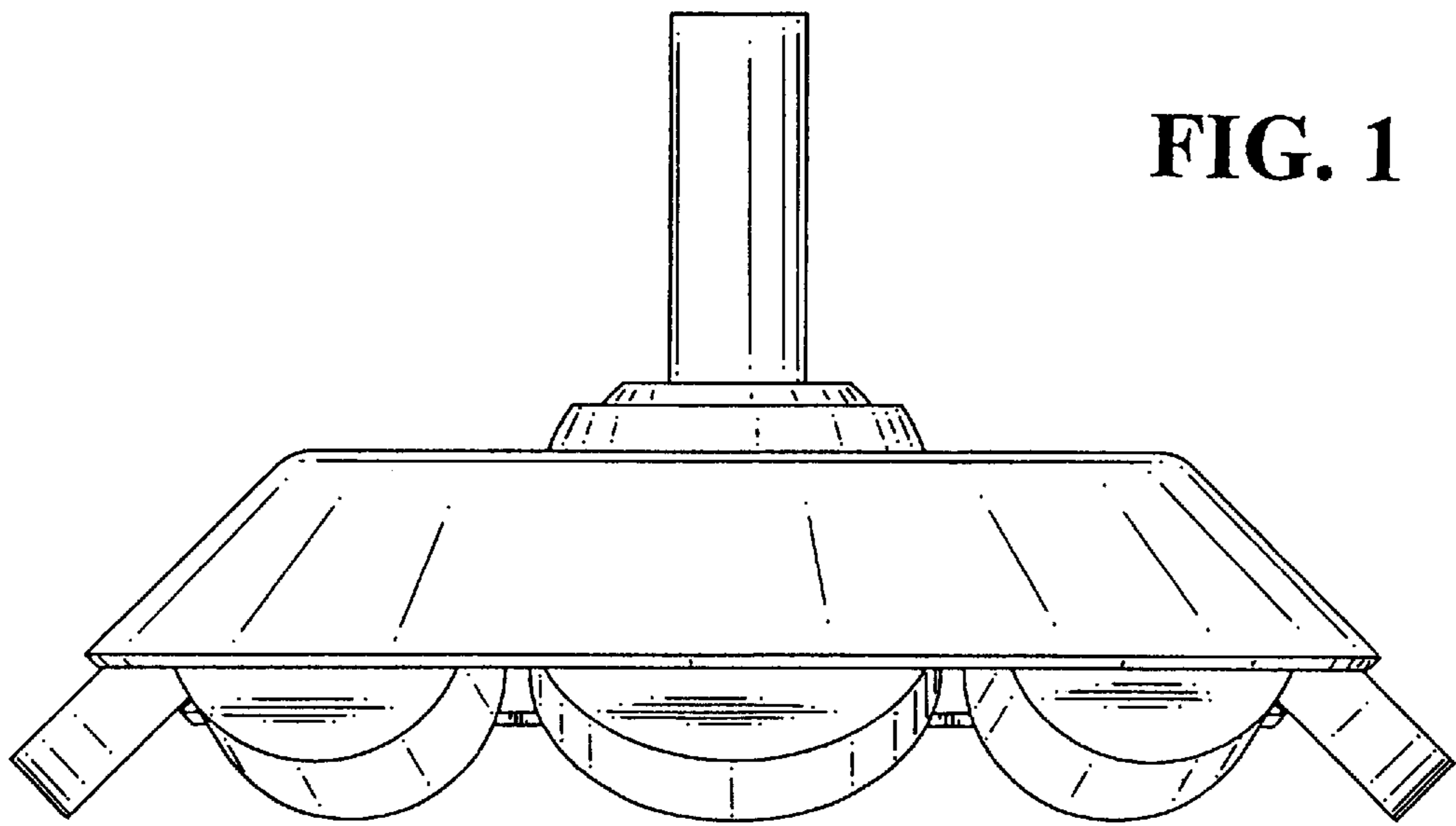


FIG. 1

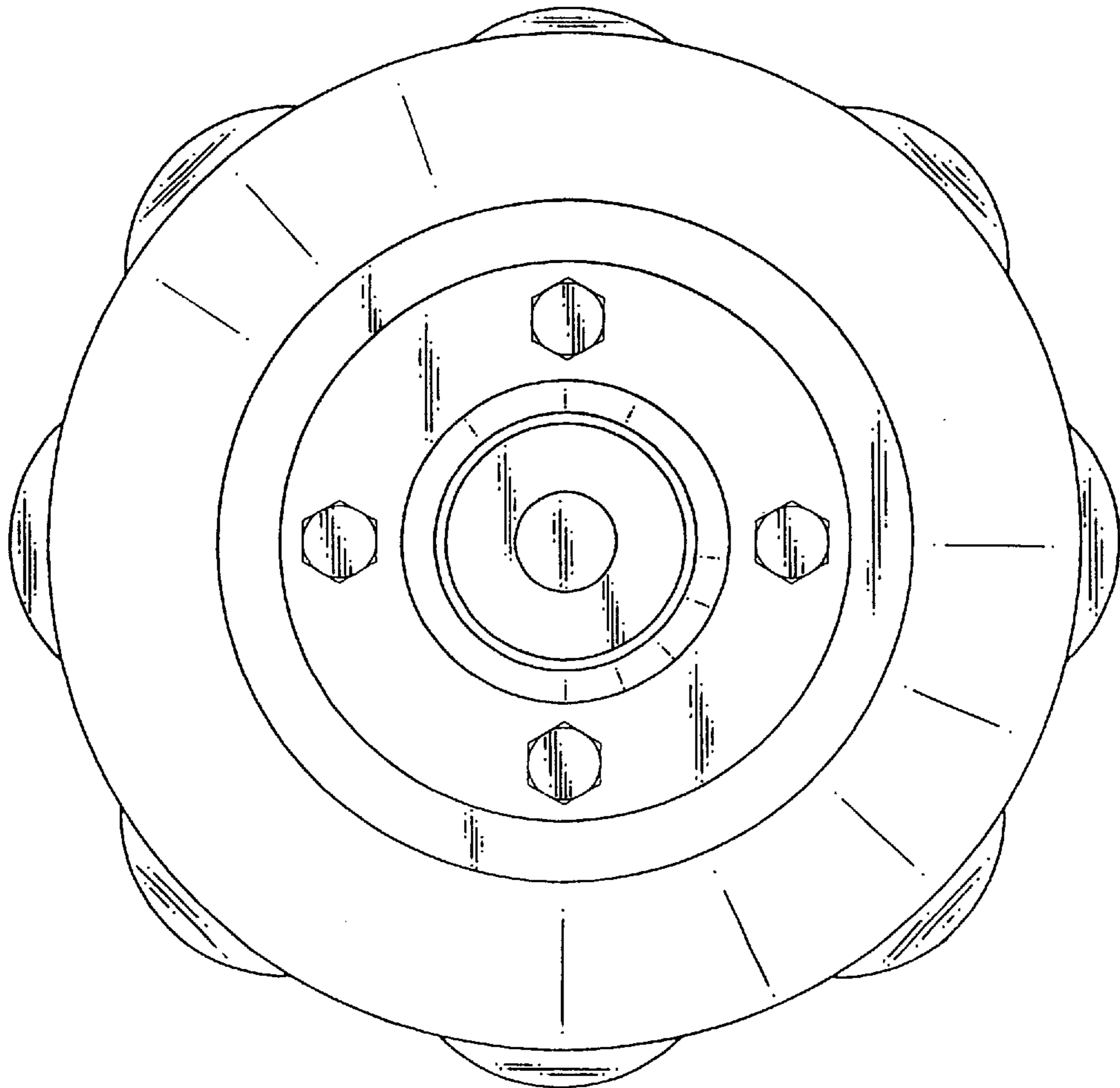


FIG. 2

**FIG. 3**

