



US00D431080S

United States Patent [19]
Anderson

[11] **Patent Number: Des. 431,080**

[45] **Date of Patent: ** Sep. 19, 2000**

[54] **COMBINED CERVICAL AND UPPER THORACIC RELAXER**

[76] Inventor: **Mark A. Anderson**, 303 Henry M. Chandler Dr., Rockwall, Tex. 75032

[**] Term: **14 Years**

[21] Appl. No.: **29/109,367**

[22] Filed: **Aug. 13, 1999**

[51] **LOC (7) Cl.** **24-04**

[52] **U.S. Cl.** **D24/188**

[58] **Field of Search** D24/188; 602/32, 602/33, 34, 35, 36, 38, 39, 40

[56] **References Cited**

U.S. PATENT DOCUMENTS

Re. 32,791	11/1988	Saunders	128/75
D. 269,701	7/1983	Miller	D24/188
3,063,445	11/1962	Ries	602/32
3,675,646	7/1972	Corcoran	128/75
4,166,459	9/1979	Nightingale	128/75
4,593,684	6/1986	Graham	128/75
4,664,101	5/1987	Granberg	602/33
4,724,828	2/1988	Barnes et al.	128/74
4,736,736	4/1988	Moers et al.	128/75
4,760,842	8/1988	Holmes	128/75
4,890,606	1/1990	Iams et al.	602/32

4,922,894	5/1990	Gipson et al.	128/71
5,067,483	11/1991	Freed	128/76 R
5,147,287	9/1992	Jewell et al.	602/32
5,411,471	5/1995	Terrazas	602/18
5,542,910	8/1996	Oliver	602/18
5,569,175	10/1996	Chitwood	602/32
5,575,295	11/1996	Khalsa et al.	128/845
5,637,079	6/1997	Miller	602/36
5,662,597	9/1997	Chitwood	602/32
5,709,649	1/1998	Chitwood	602/32

Primary Examiner—Stella Reid
Attorney, Agent, or Firm—Dennis Griggs

[57] **CLAIM**

The ornamental design for a combined cervical and upper thoracic relaxer, as shown and described.

DESCRIPTION

FIG. 1 is a perspective view of a combined cervical and upper thoracic relaxer showing my new design; FIG. 2 is a front elevational view thereof; FIG. 3 is a left side elevational view thereof, the right side elevational view being the mirror image thereof; FIG. 4 is a rear elevational view thereof; FIG. 5 is a top plan view thereof; and, FIG. 6 is a bottom plan view thereof.

1 Claim, 4 Drawing Sheets

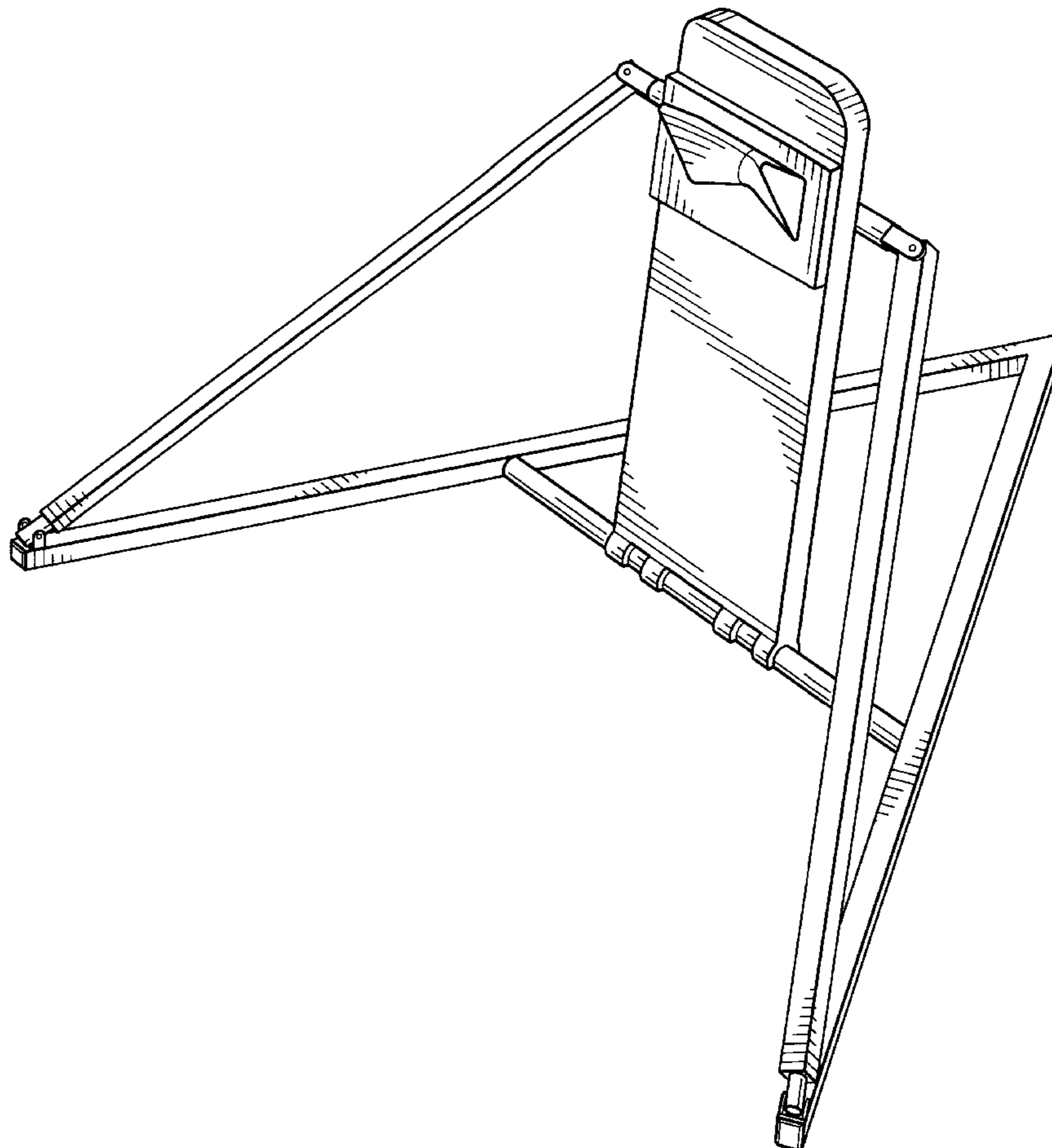


FIG. 1

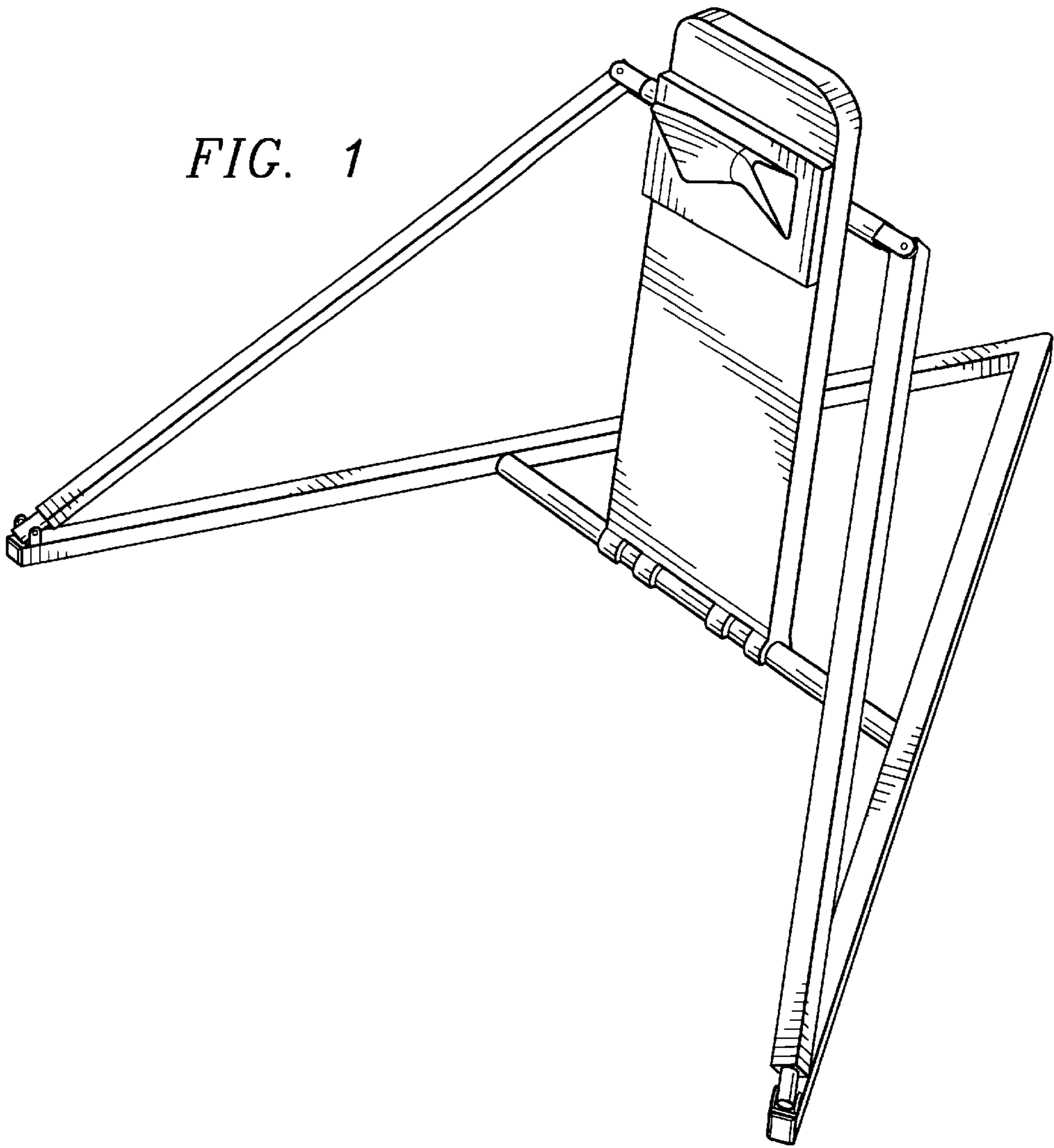
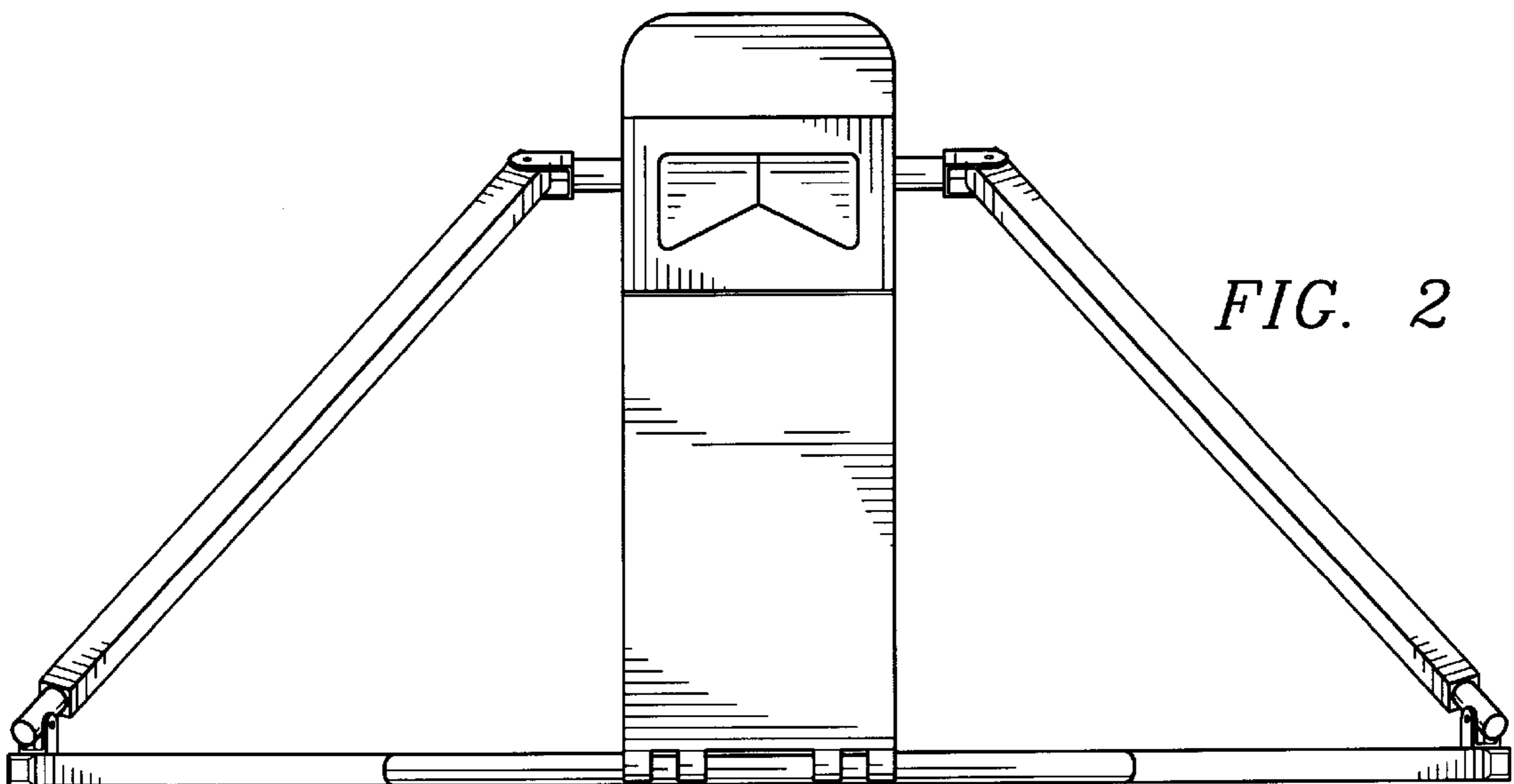


FIG. 2



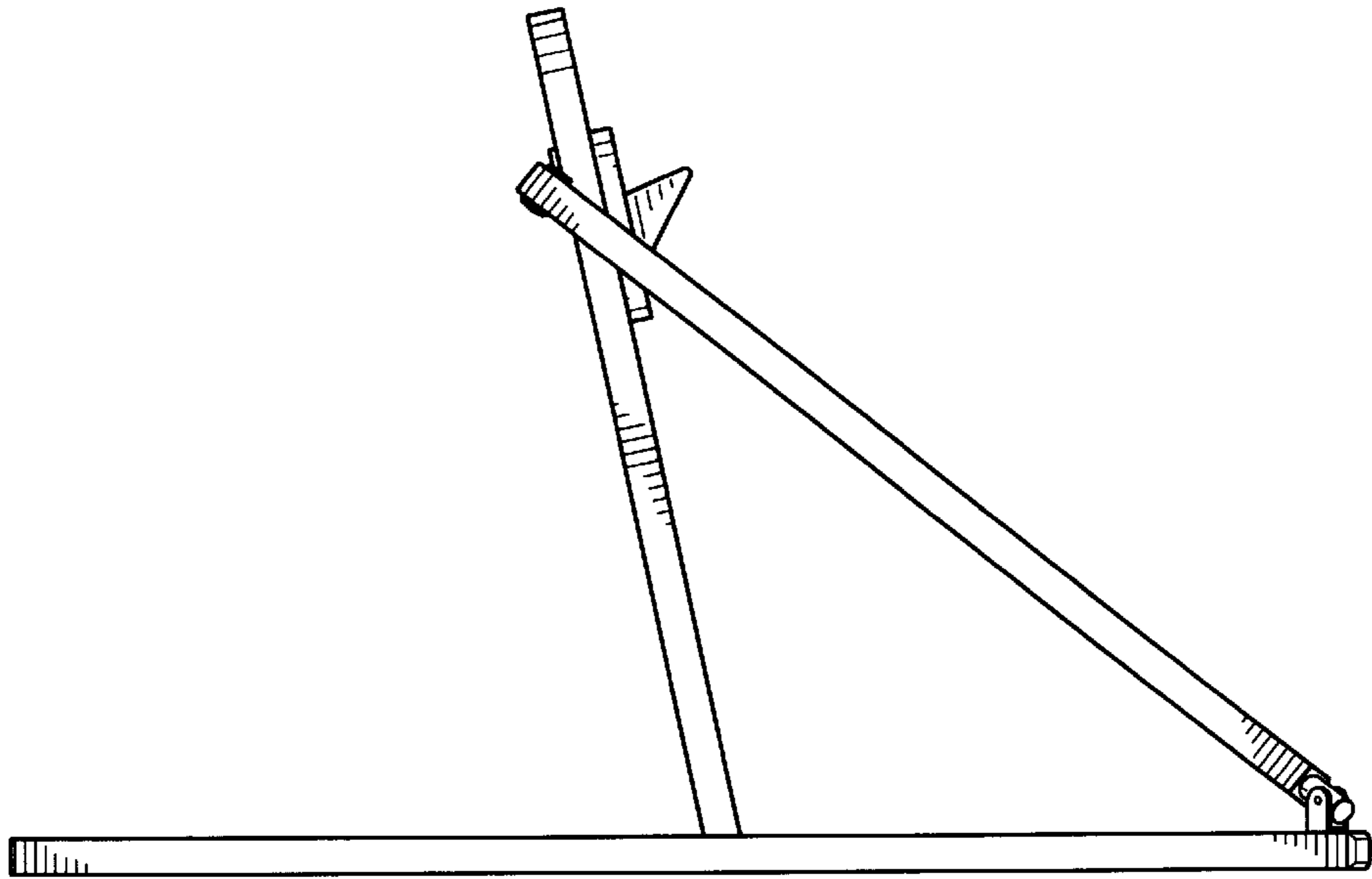


FIG. 3

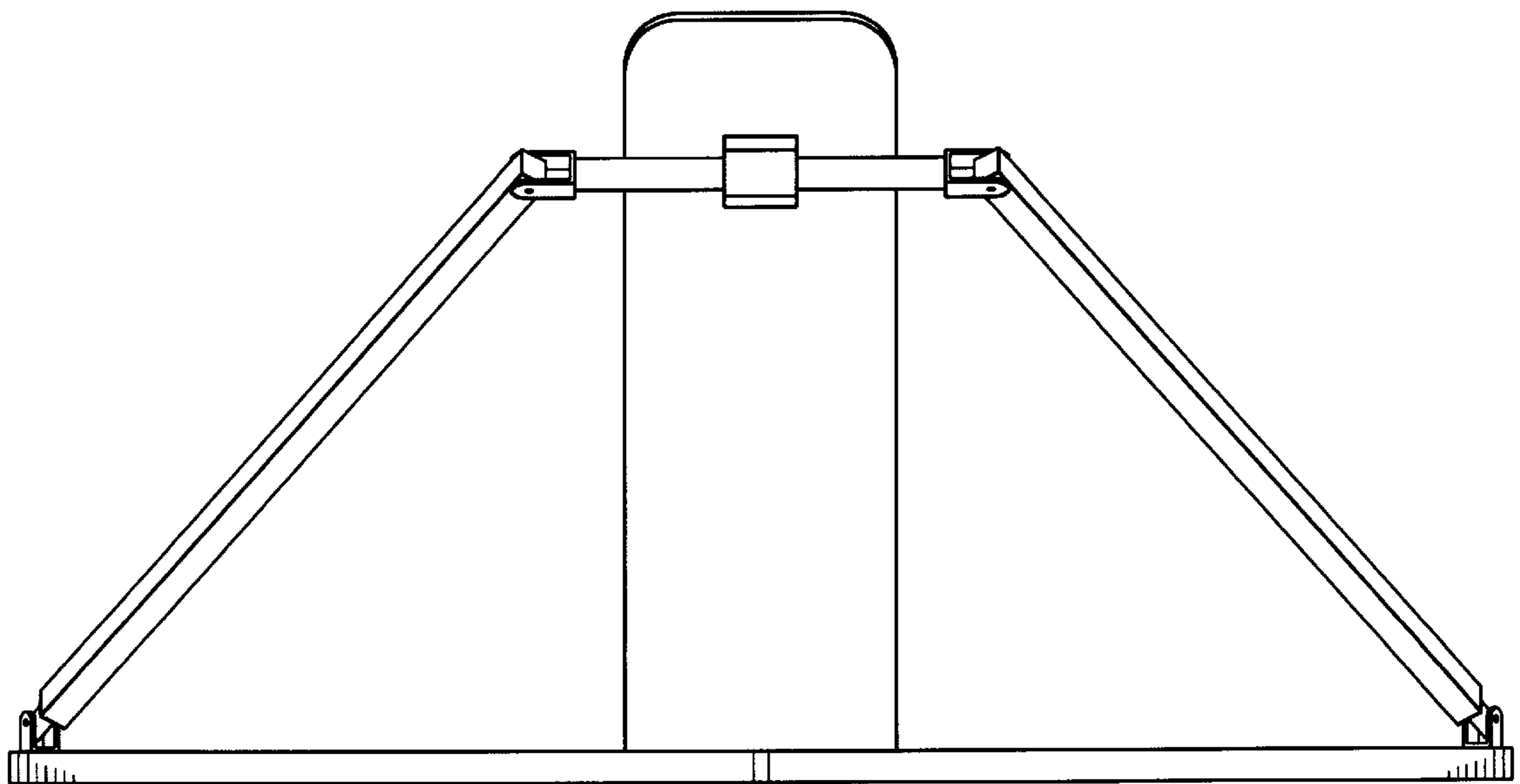


FIG. 4

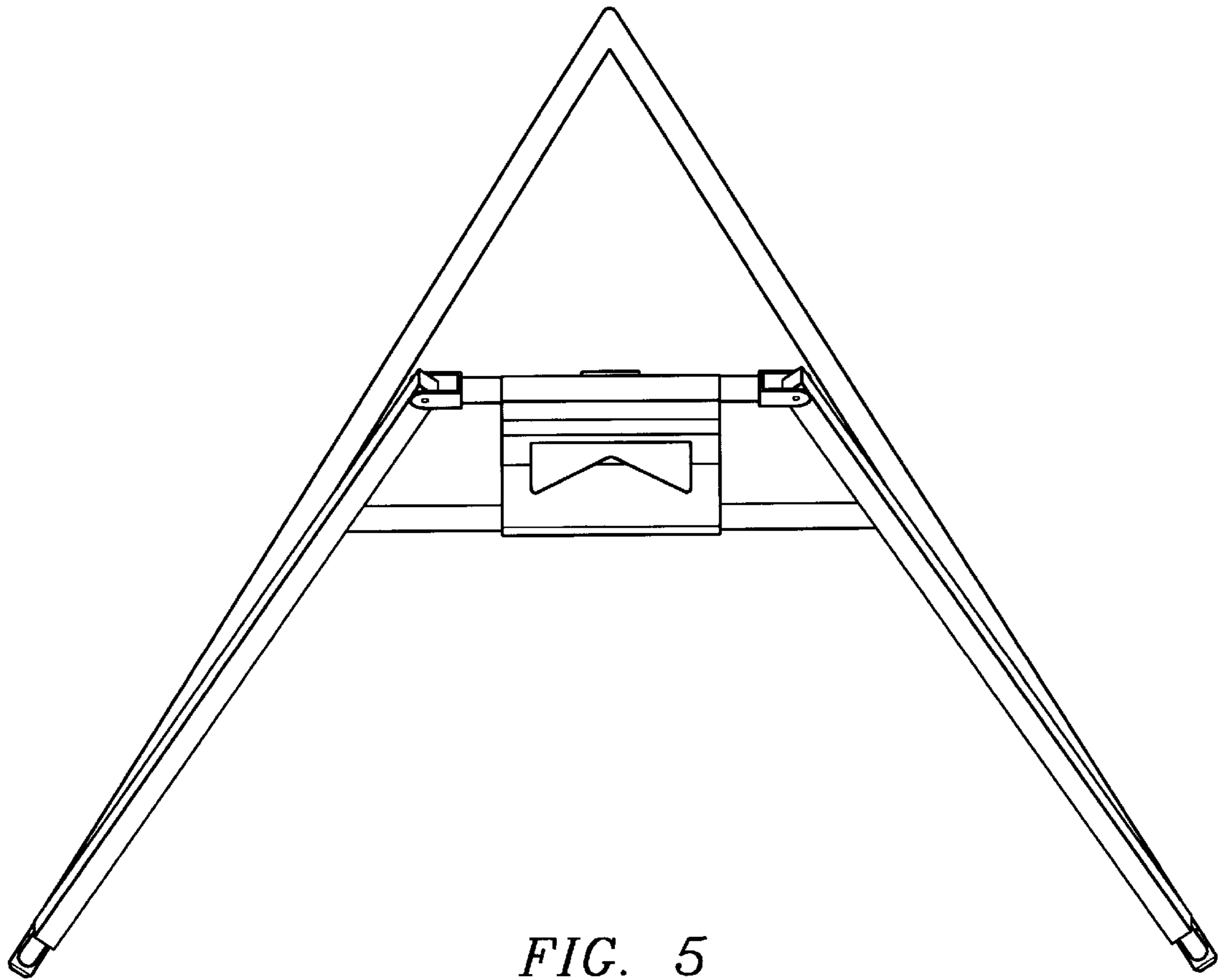


FIG. 5

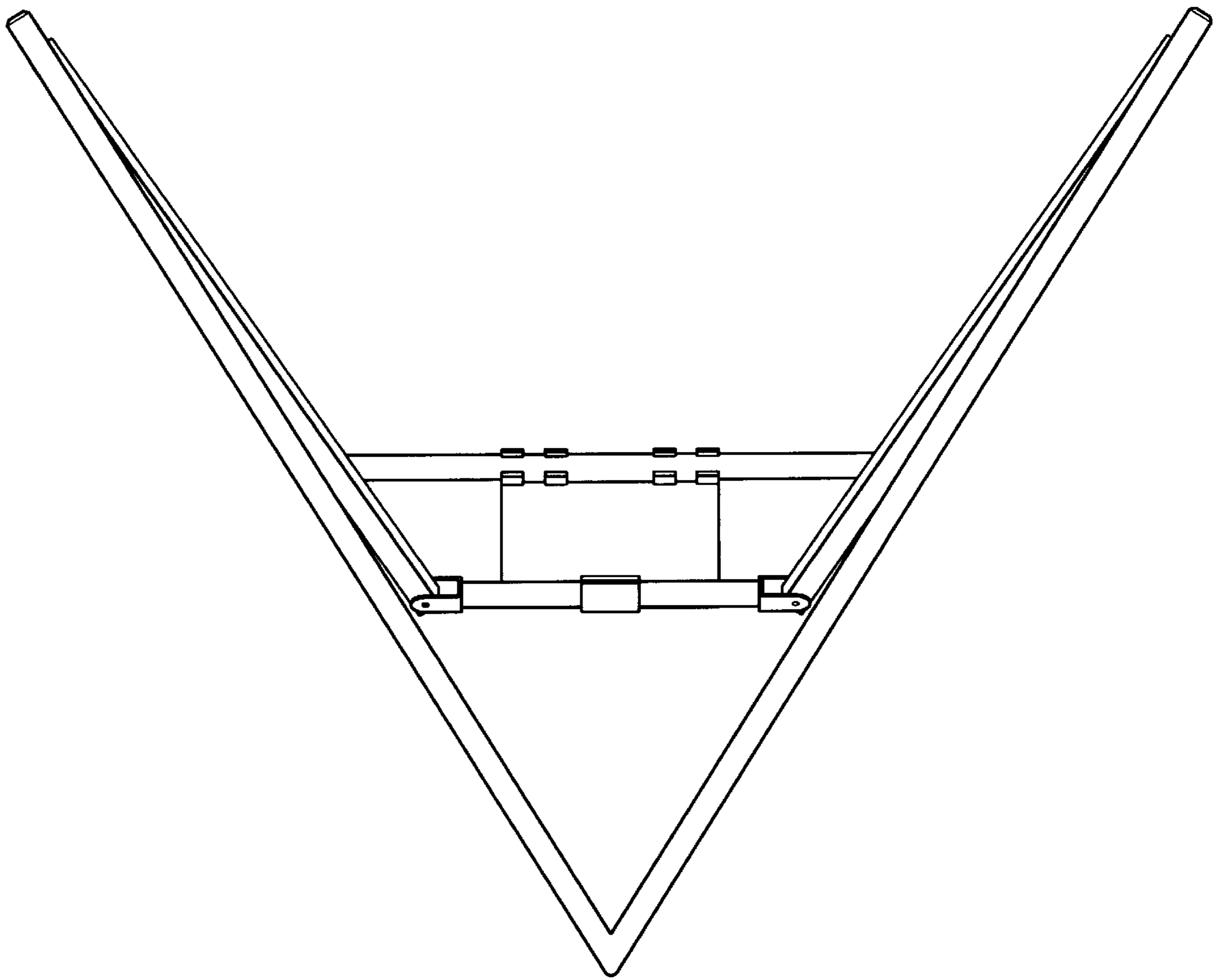


FIG. 6