



US00D431079S

United States Patent [19] Crawford

[11] **Patent Number: Des. 431,079**

[45] **Date of Patent: ** Sep. 19, 2000**

[54] **MEDICAL NEEDLE CONTAINER**

[75] Inventor: **Darryl L. Crawford**, Cocolalla, Id.

[73] Assignee: **Stik Stoppers Inc.**, Springfield, Oreg.

[**] Term: **14 Years**

[21] Appl. No.: **29/100,710**

[22] Filed: **Feb. 17, 1999**

[51] **LOC (7) Cl.** **24-02**

[52] **U.S. Cl.** **D24/131**

[58] **Field of Search** D24/131; D34/1,
D34/7, 10, 11; D9/423, 424; D3/302, 272,
203; 206/365, 570, 571, 572, 366, 367,
369, 370; 220/810, 825, 830, 908, 910,
254, 911, 768, 769, 780, 771

[56] **References Cited**

U.S. PATENT DOCUMENTS

D. 328,810	8/1992	Boothe et al.	D24/131
D. 362,502	9/1995	Anderson et al.	D24/131
3,456,832	7/1969	Vevirit et al.	220/825
4,679,700	7/1987	Tharrington et al.	220/908
4,809,850	3/1989	Laible et al.	206/366
4,927,076	5/1990	Simpson .	
4,969,554	11/1990	Sawaya	206/370
5,080,251	1/1992	Noack .	
5,090,564	2/1992	Chimienti .	
5,107,990	4/1992	Wicherski et al.	206/366
5,184,720	2/1993	Packer et al.	206/366
5,222,599	6/1993	Boyce .	
5,271,500	12/1993	Szacon	206/366
5,273,161	12/1993	Sagstetter .	

5,273,221	12/1993	McCarthy .	
5,277,312	1/1994	Vumbaca .	
5,323,902	6/1994	Palmer et al. .	
5,474,180	12/1995	Robinson et al.	206/366

OTHER PUBLICATIONS

“Stik Stoppers Presents the Vault” advertising flyer.

Primary Examiner—Ian Simmons
Attorney, Agent, or Firm—Kolisch, Hartwell, Dickinson,
McCormack & Heuser

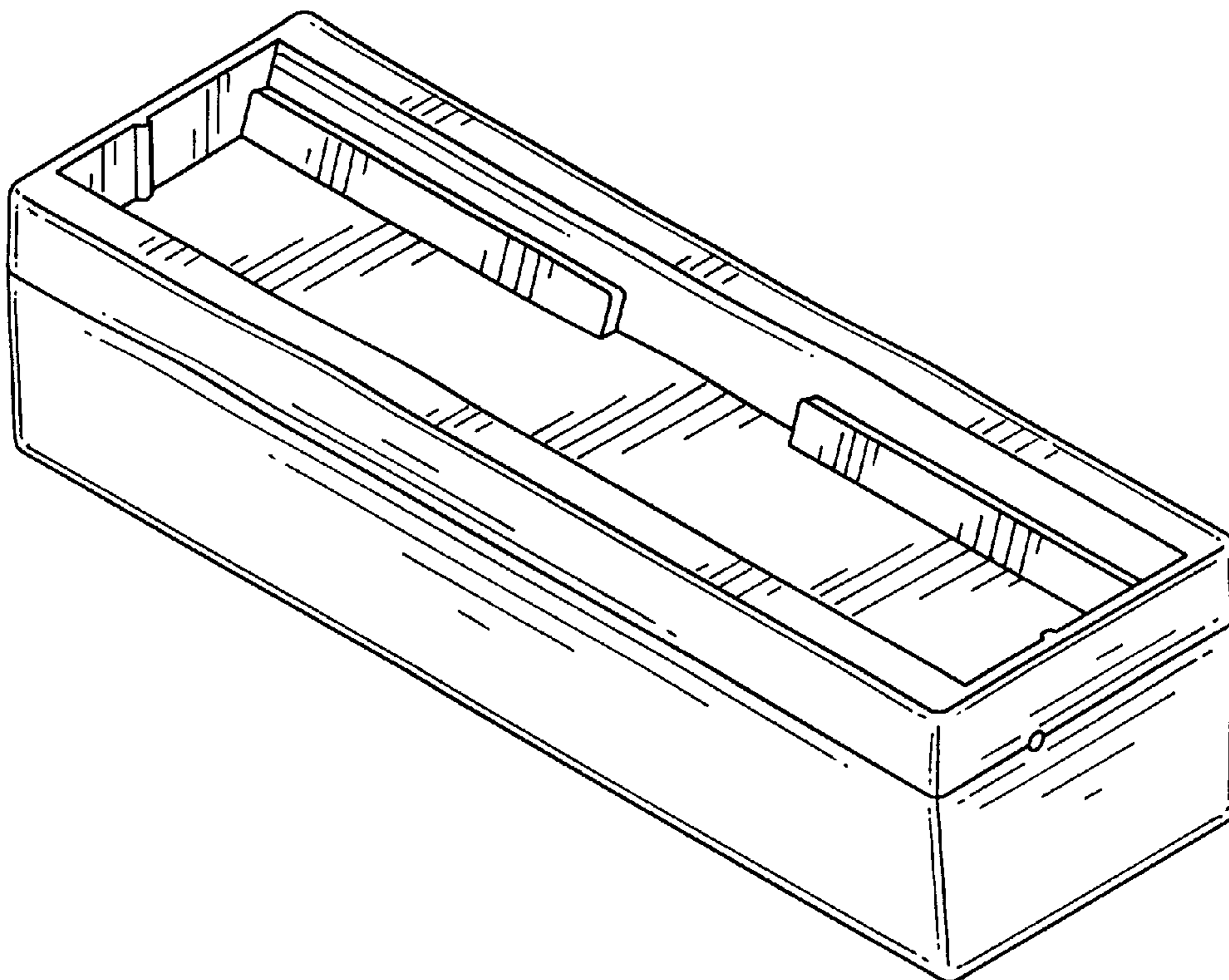
[57] **CLAIM**

The ornamental design for a medical needle container, as shown and described.

DESCRIPTION

FIG. 1 is an isometric view of a medical needle container constructed in accordance with the present invention, a container door being shown in a closed orientation; FIG. 2 is an isometric view of the medical needle container shown in FIG. 1, but with the container door in an open orientation; FIG. 3 is a top plan view of the medical needle container shown in FIG. 1; FIG. 4 is a front elevation view of the medical needle container shown in FIG. 1, the rear elevation view being a mirror image thereof; FIG. 5 is a right-side elevation view of the medical needle container shown in FIG. 1, the left-side view being a mirror image thereof; and, FIG. 6 is a bottom view of the medical needle container shown in FIG. 1.

1 Claim, 2 Drawing Sheets



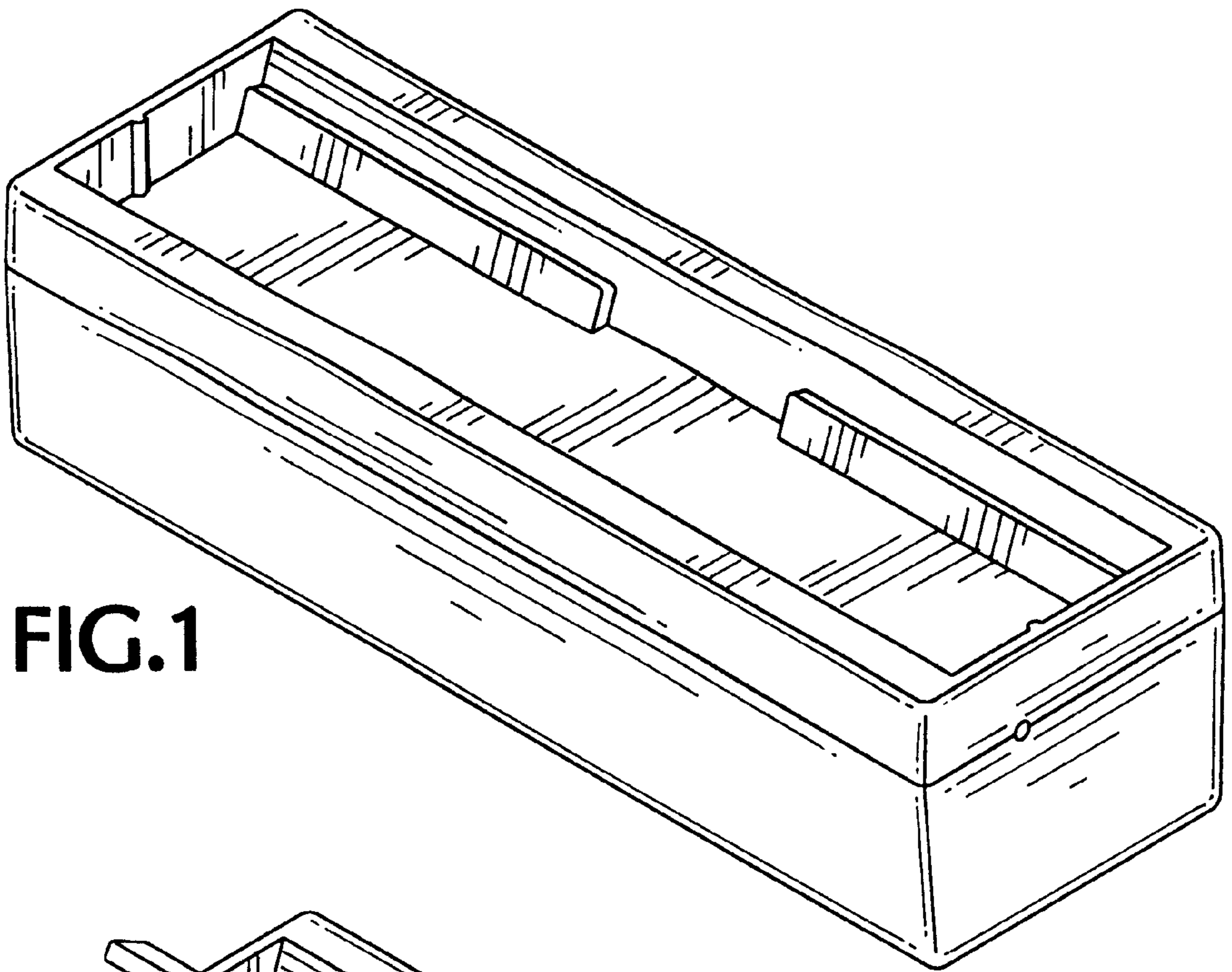


FIG. 1

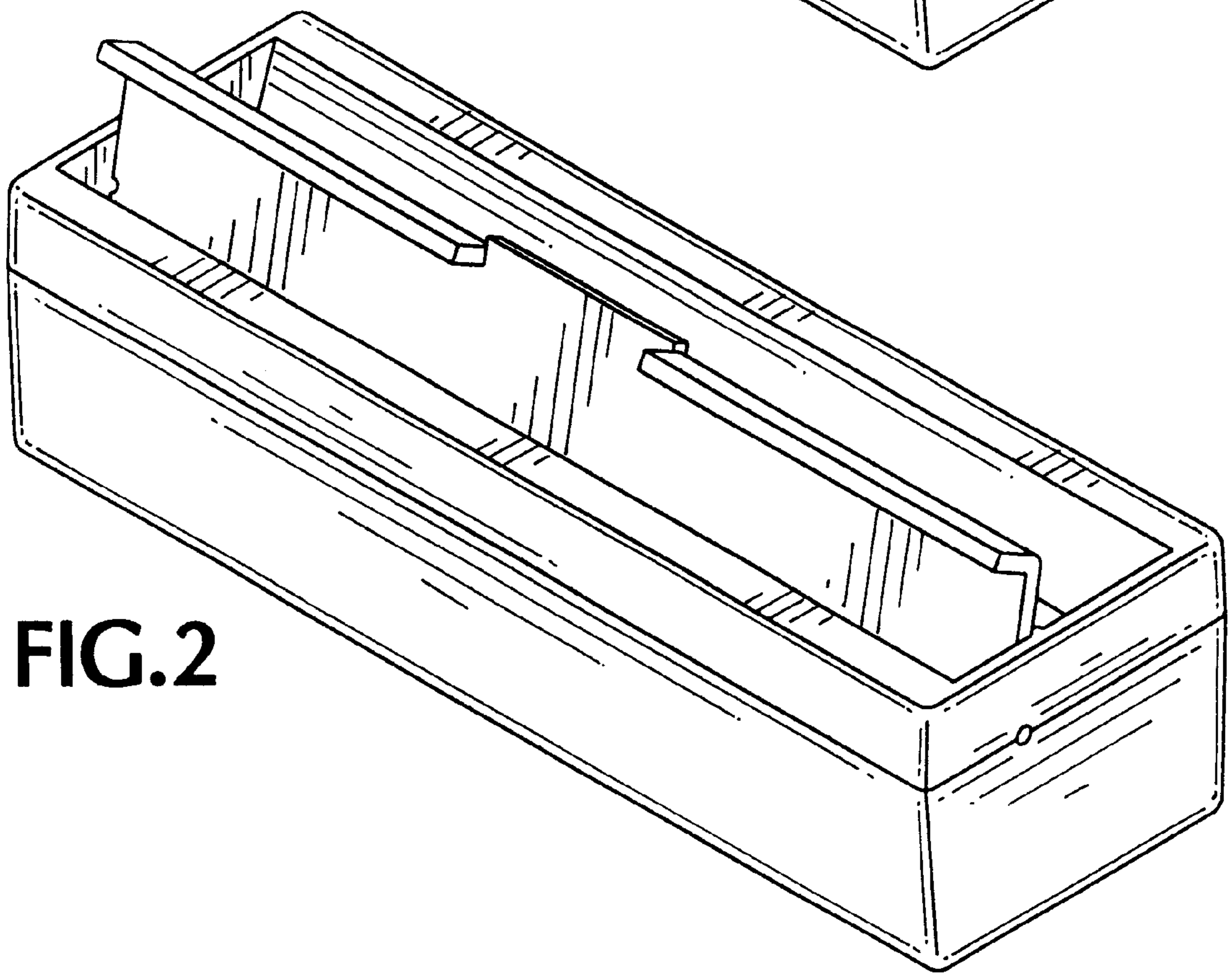


FIG. 2

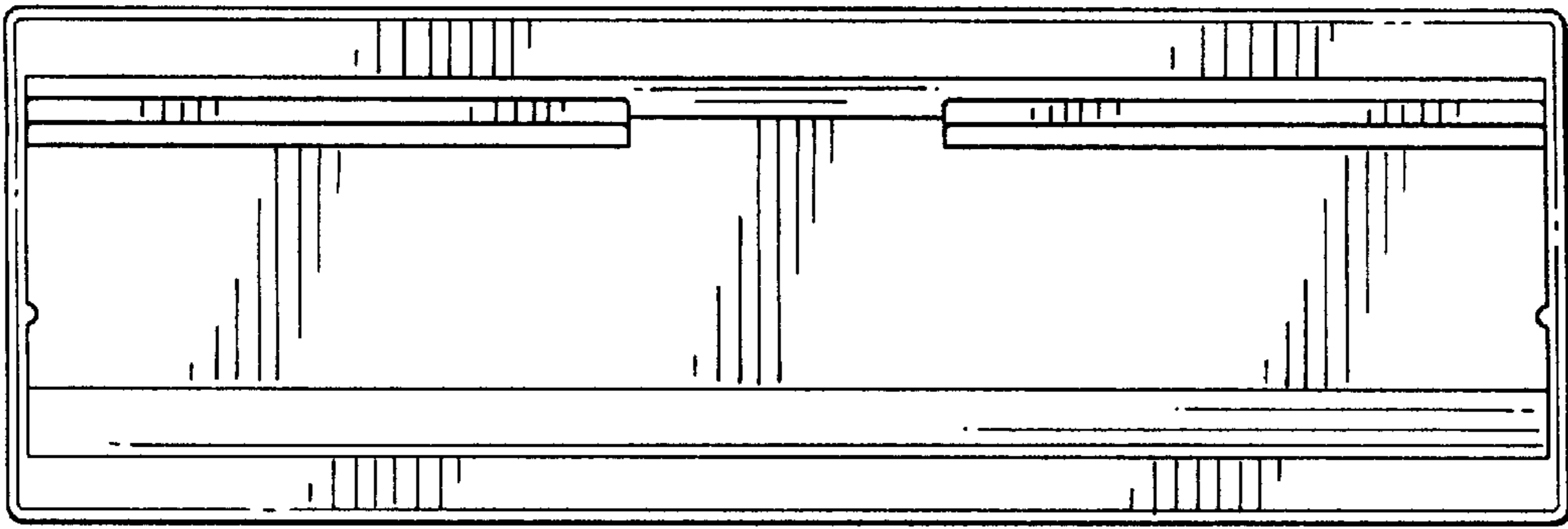


FIG.3

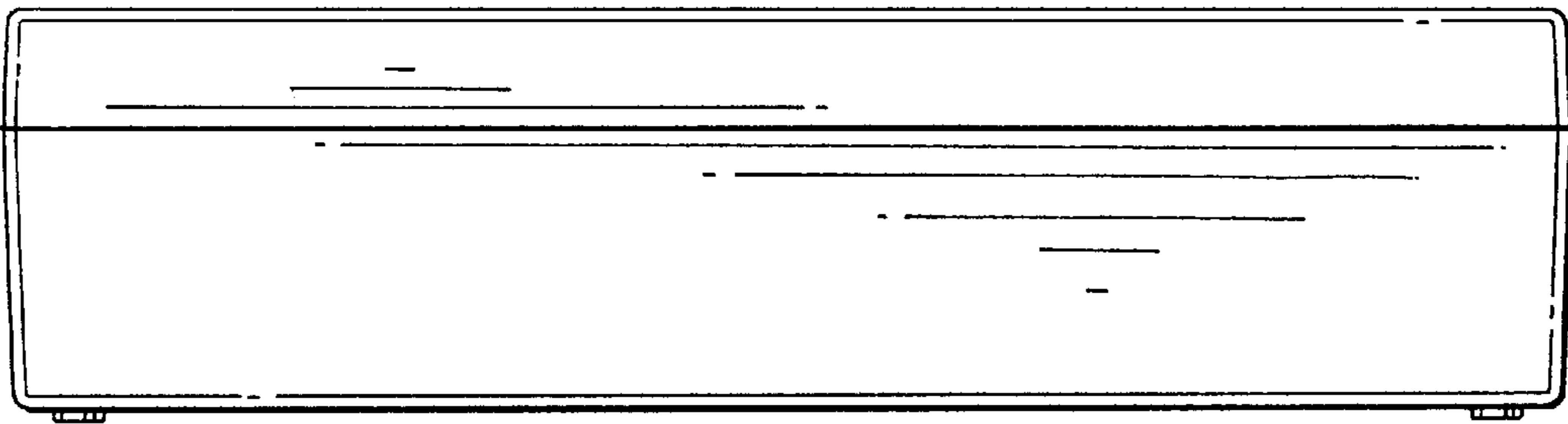


FIG.4

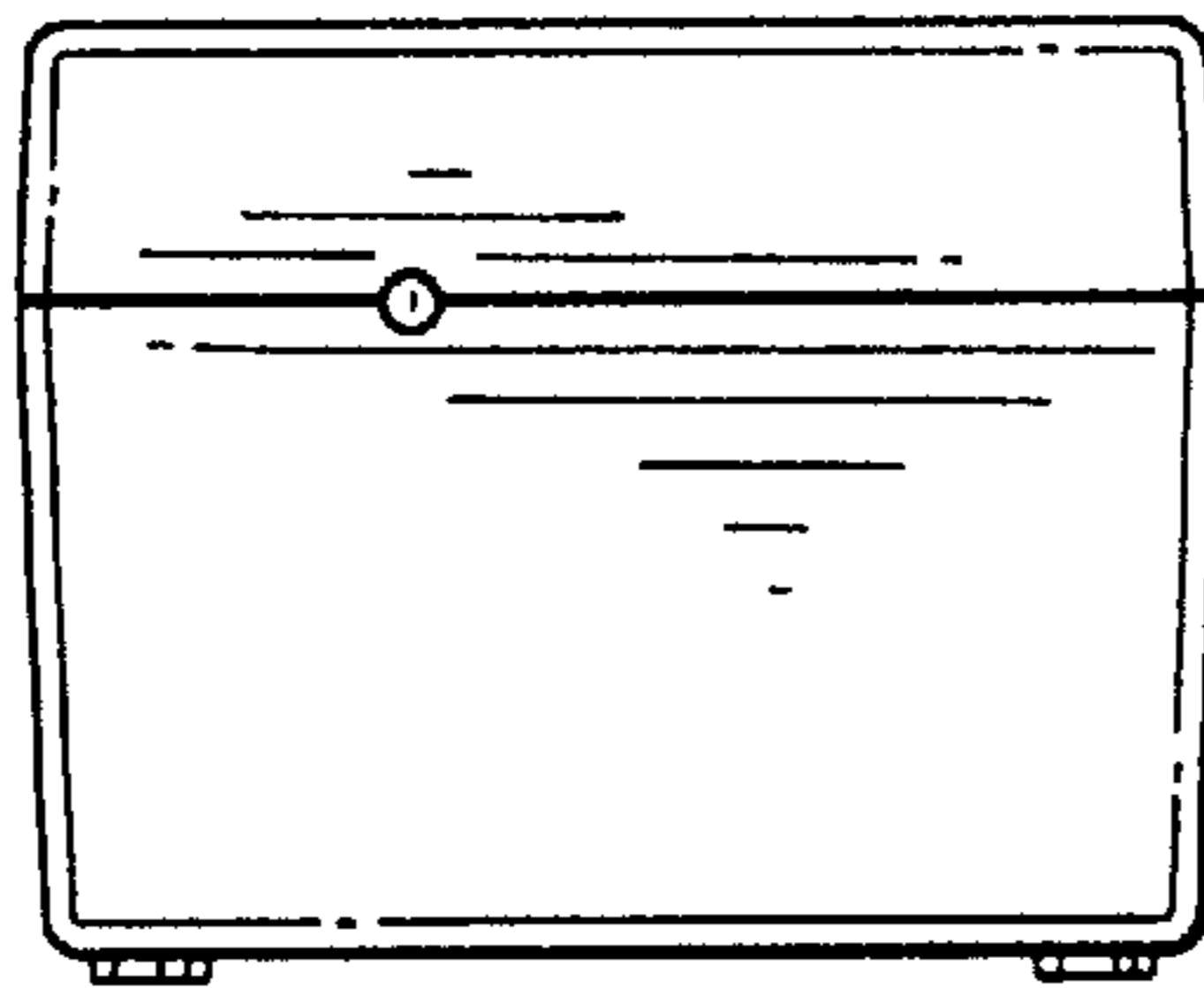


FIG.5

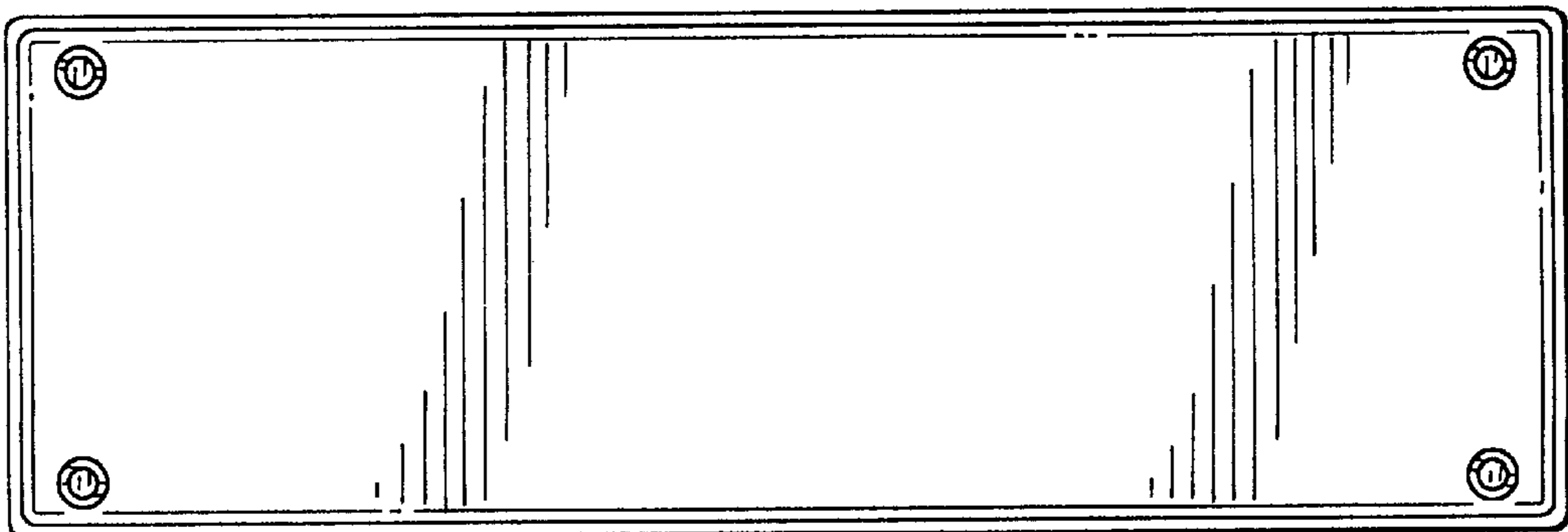


FIG.6