



US00D431078S

# United States Patent [19]

Lorenzo et al.

[11] **Patent Number: Des. 431,078**

[45] **Date of Patent: \*\* Sep. 19, 2000**

[54] **INTRAVENOUS POLE ATTACHMENT**

4,270,721 6/1981 Mainor, Jr. .... 248/228.6  
5,947,594 9/1999 Dolatli et al. .... 366/209

[76] Inventors: **Francisco J Lorenzo**, 6722 Donald St., Tampa, Fla. 33614; **Adriel Torres**, 6417 Golden Dr., Tampa, Fla. 33634

*Primary Examiner*—Alan P. Douglas  
*Assistant Examiner*—Reid Hecker

[\*\*] Term: **14 Years**

[57] **CLAIM**

The ornamental design for a intravenous pole attachment, as shown.

[21] Appl. No.: **29/105,832**

[22] Filed: **Jun. 3, 1999**

### DESCRIPTION

[51] **LOC (7) Cl.** ..... **24-02**

[52] **U.S. Cl.** ..... **D24/128**

[58] **Field of Search** ..... D24/128; D8/355, D8/363, 373, 396; 248/311.2, 311.3, 228.6, 231.71, 218.4, 230.4; 366/209

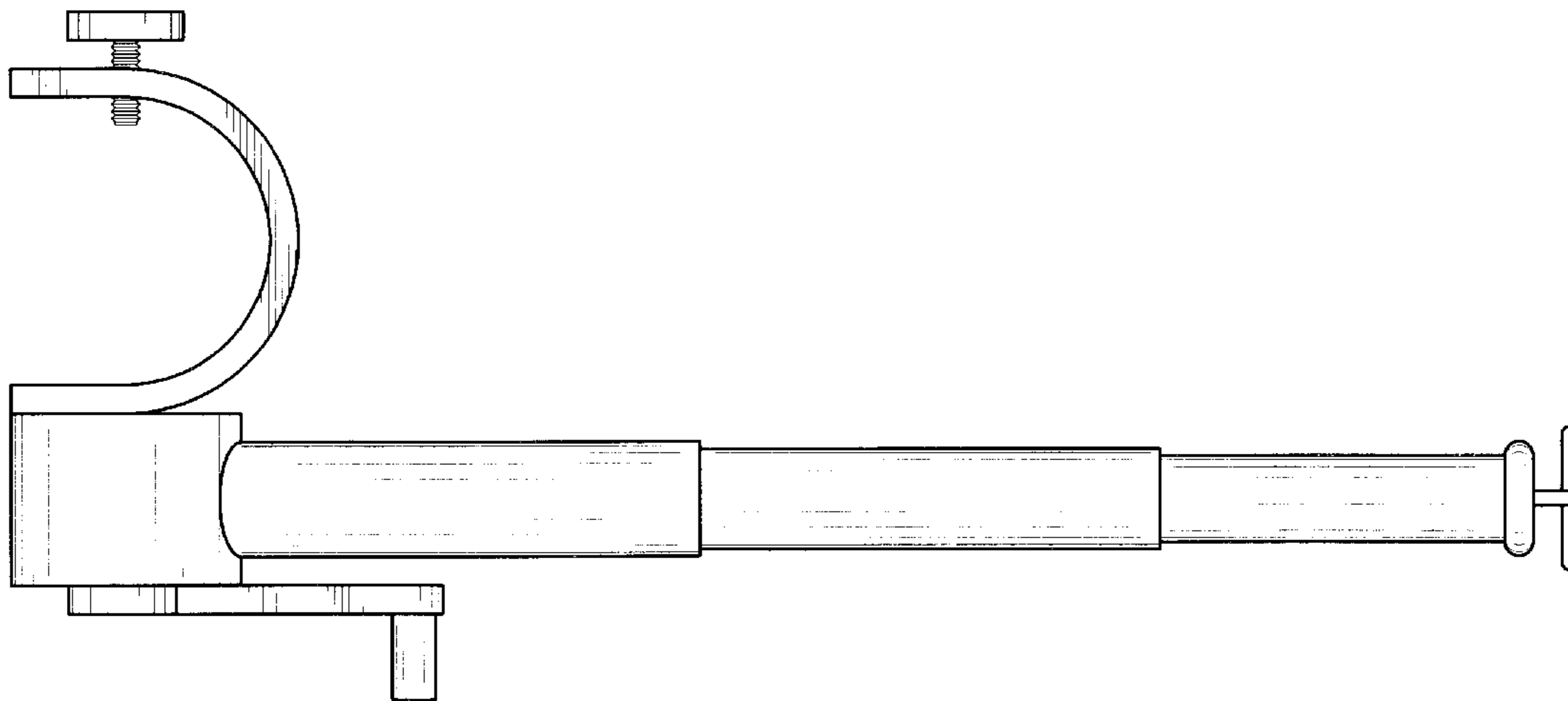
FIG. 1 is a front elevational view of the intravenous pole attachment of the present invention;  
FIG. 2 is a rear elevational view of the intravenous pole attachment of FIG. 1;  
FIG. 3 is a left side elevational view of the intravenous pole attachment of FIG. 1;  
FIG. 4 is a right side elevational view of the intravenous pole attachment of FIG. 1;  
FIG. 5 is a top plan view of the intravenous pole attachment of FIG. 1; and,  
FIG. 6 is a bottom plan view of the intravenous pole attachment of FIG. 1.

### [56] References Cited

#### U.S. PATENT DOCUMENTS

D. 204,047	3/1966	Horner	.....	D8/355
D. 245,755	9/1977	Lewis	.....	D8/396
D. 317,687	6/1991	Fabius et al.	.....	D8/373
D. 345,905	4/1994	Hallgren	.....	D8/355
D. 347,160	5/1994	Hallgren	.....	D8/355
D. 377,092	12/1996	Ebert	.....	D24/128

**1 Claim, 3 Drawing Sheets**



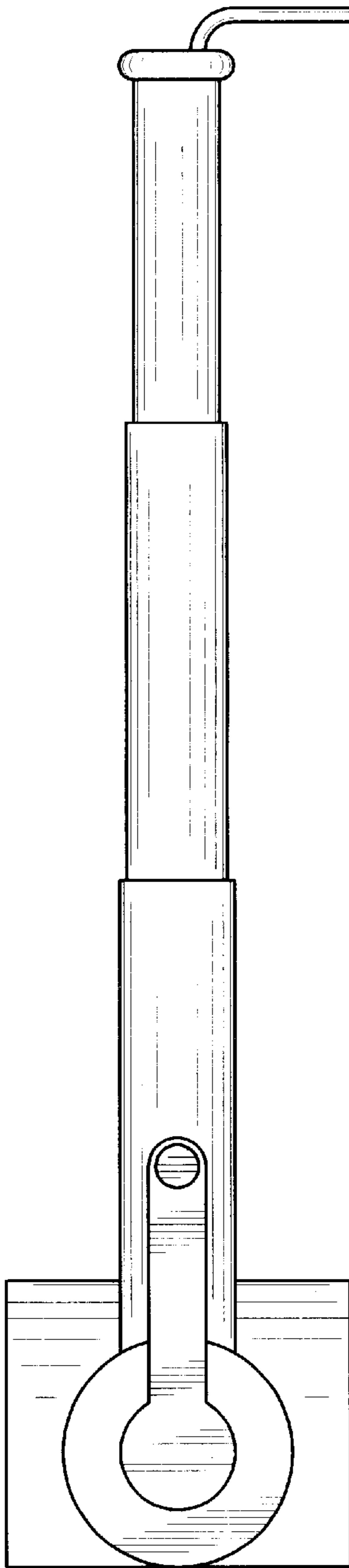


FIG. 1

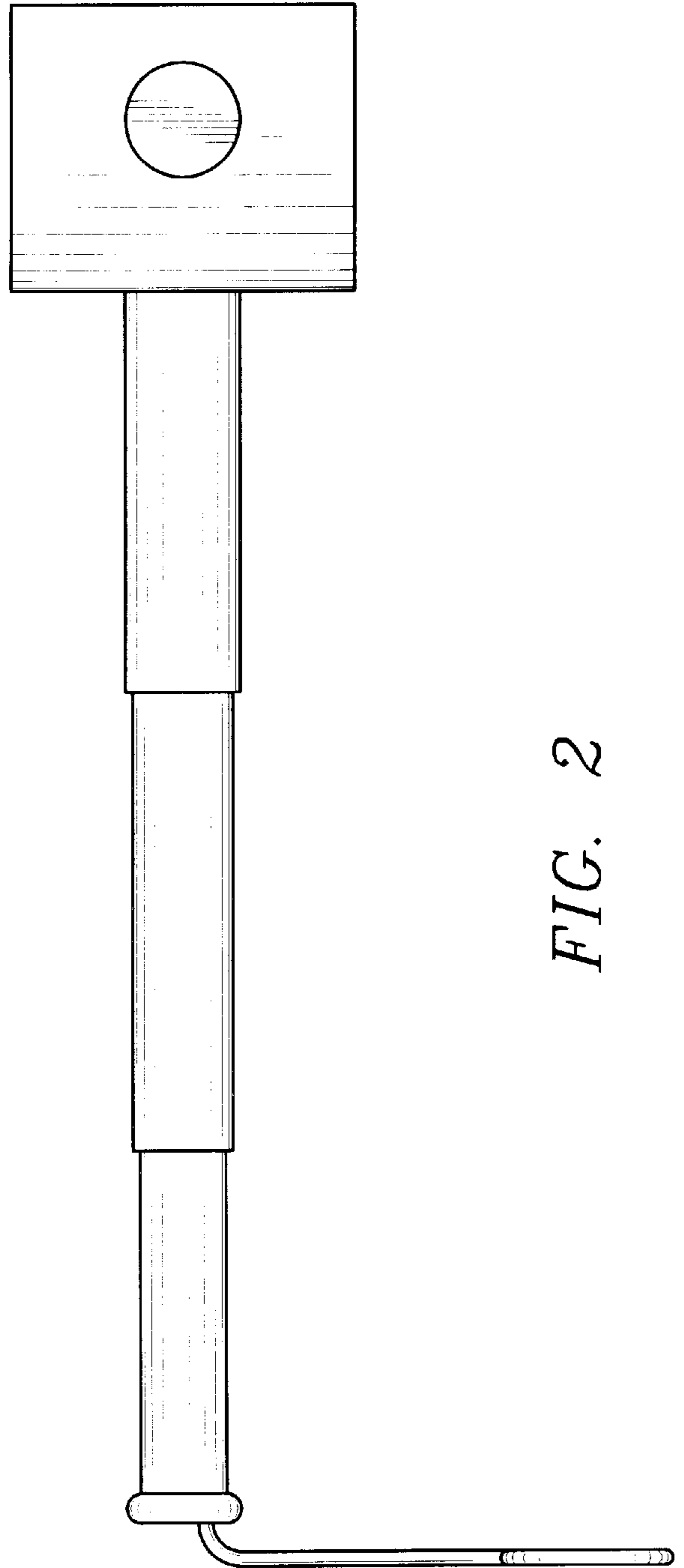
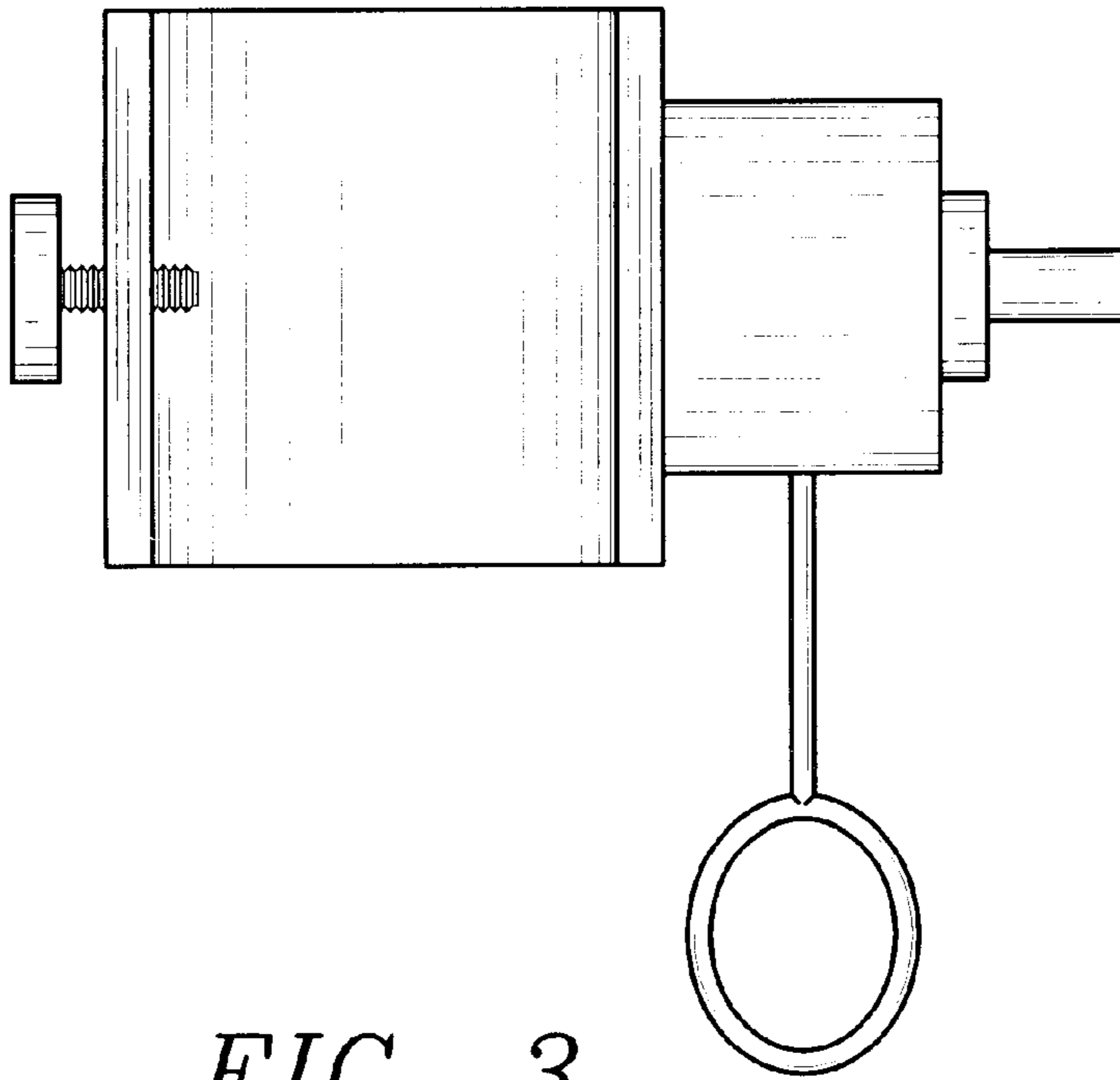
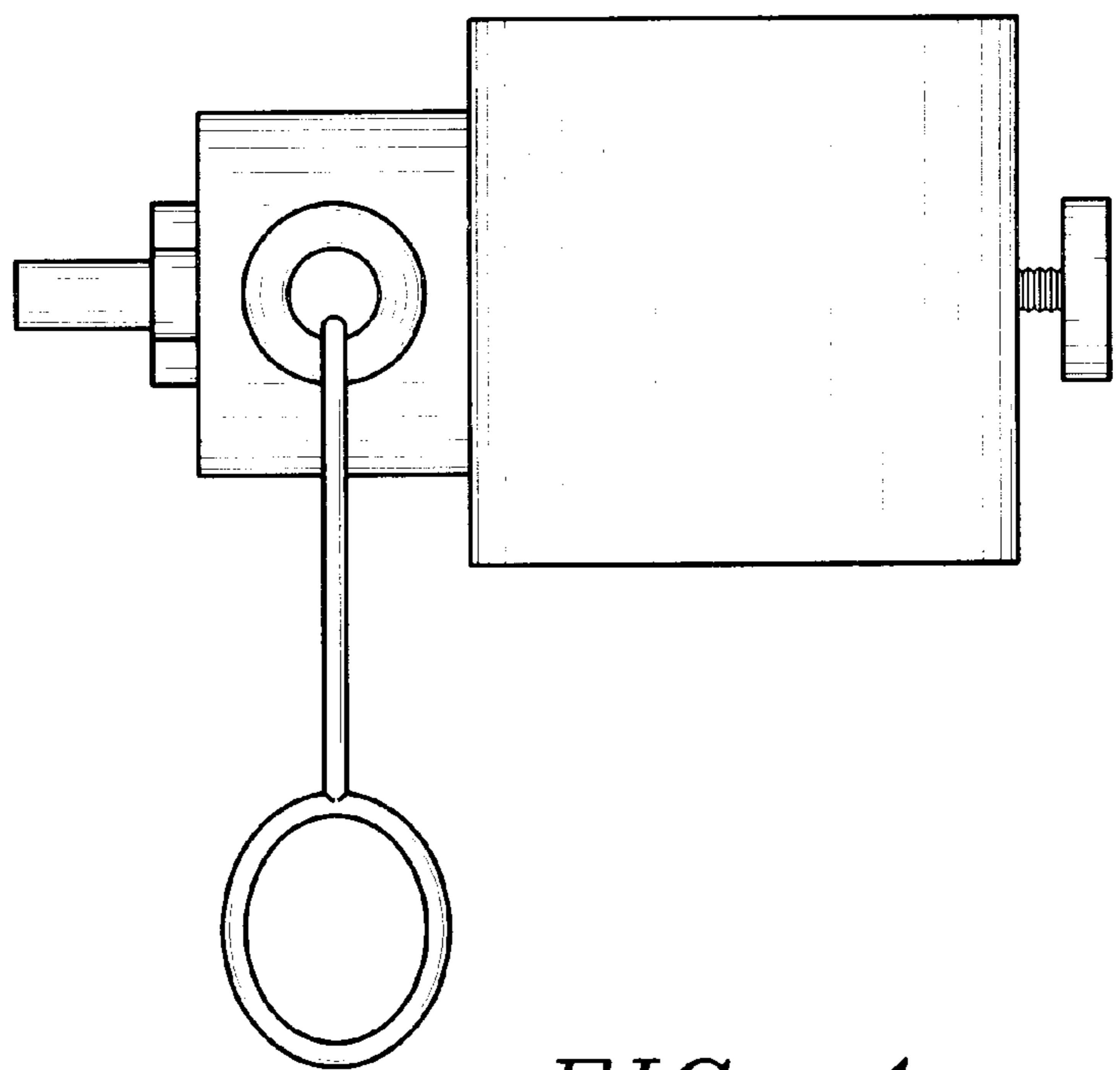


FIG. 2



*FIG. 3*



*FIG. 4*

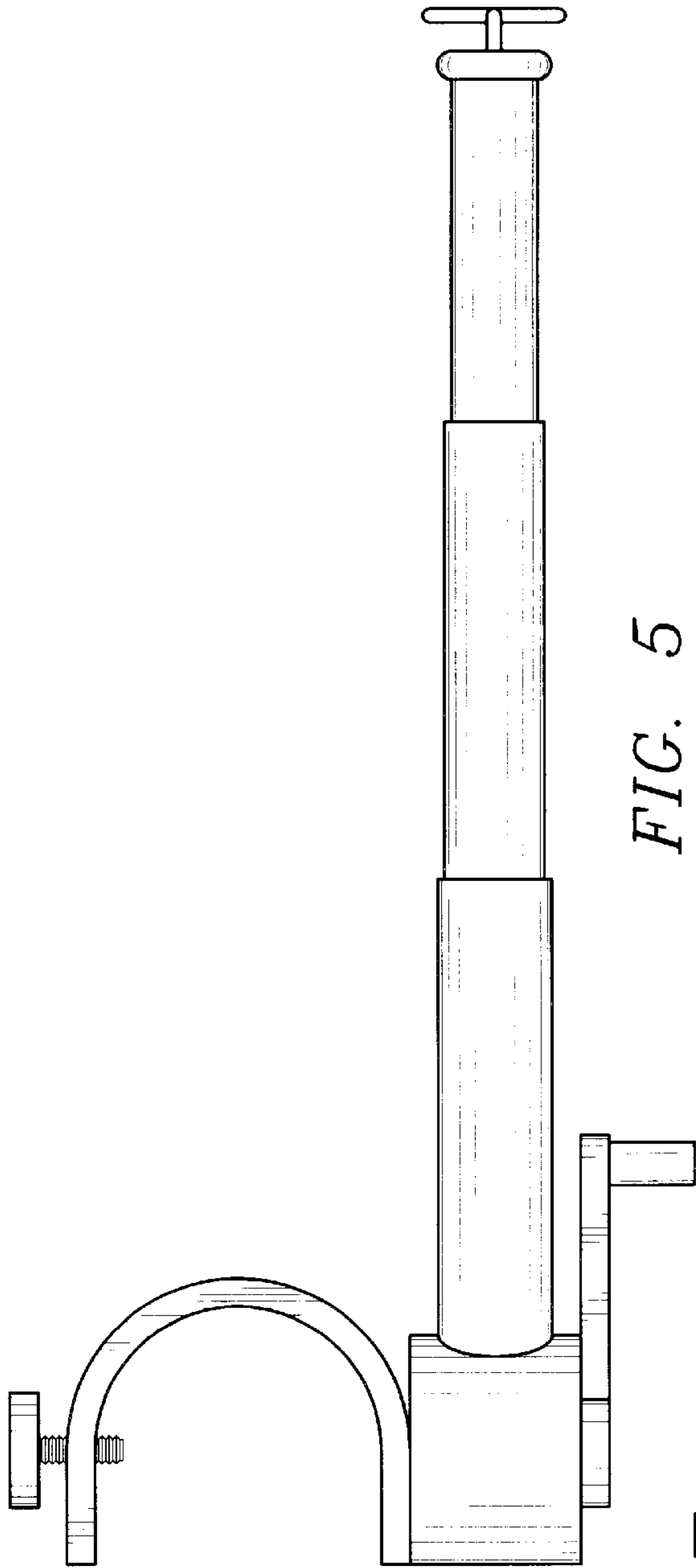


FIG. 5

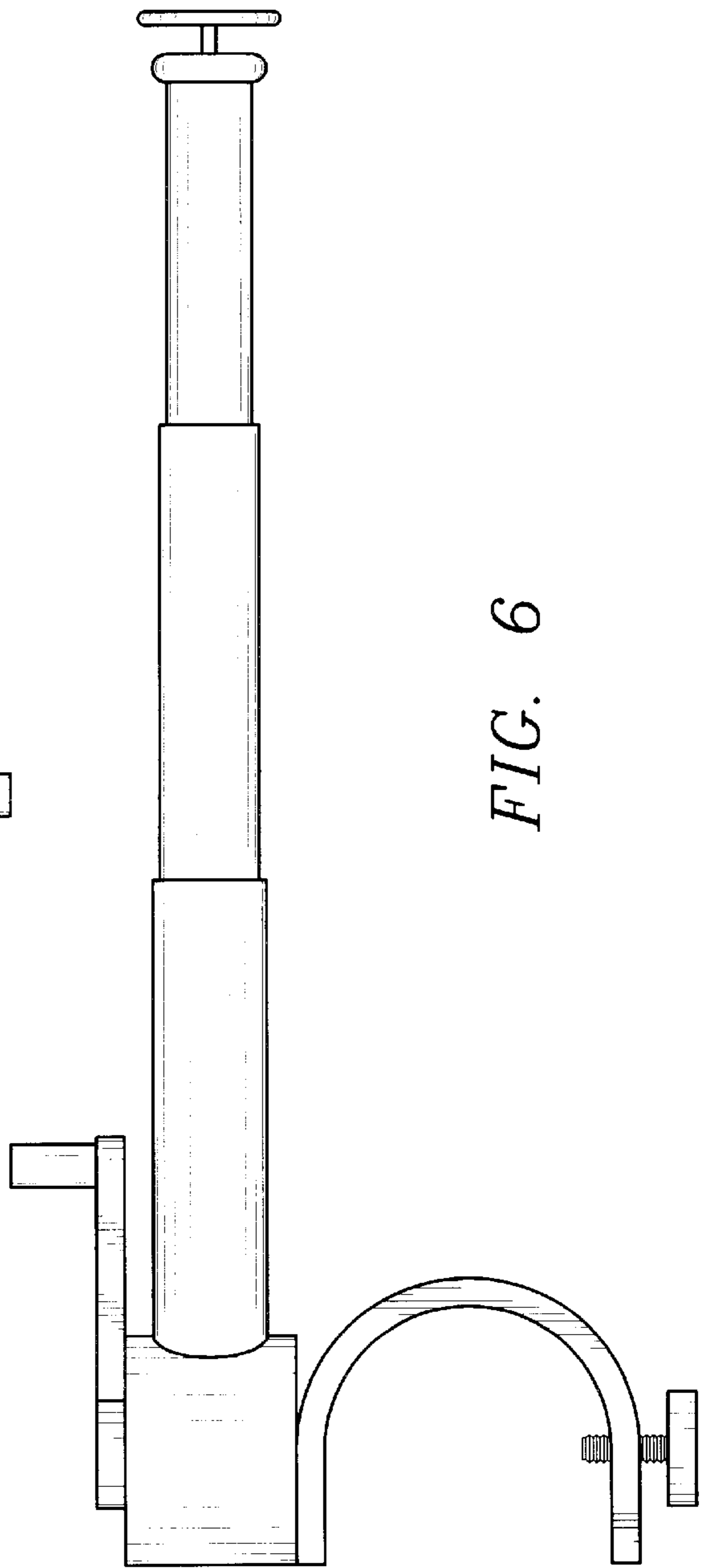


FIG. 6