



US00D431077S

# United States Patent [19]

McGinnis et al.

[11] Patent Number: Des. 431,077

[45] Date of Patent: \*\* Sep. 19, 2000

[54] NASAL MASK

[75] Inventors: **Gerald E. McGinnis**, Export; **Eugene N. Scarberry**, Trafford; **Patrick M. Handke**, deceased, late of Monroeville, all of Pa., by Virginia A. Hanske, executrix; **Andrew Serowski**, Plantsville, Conn.

[73] Assignee: **Respironics, Inc.**, Pittsburgh, Pa.

[\*\*] Term: **14 Years**

[21] Appl. No.: **29/101,555**

[22] Filed: **Mar. 5, 1999**

[51] **LOC (7) Cl.** ..... **29-02**

[52] **U.S. Cl.** ..... **D24/110.4**

[58] **Field of Search** ..... D24/110.4, 110.5, D24/110.1; 128/206.18, 206.24, 207.13, 207.12, 206.26, 205.25, 206.21, 206.28, 207.11, 207.17, 206.12

### [56] References Cited

#### U.S. PATENT DOCUMENTS

- D. 188,084 5/1960 Garelick .
- D. 231,803 6/1974 Huddy .
- D. 250,131 10/1978 Lewis et al. .
- D. 262,322 12/1981 Mizerak .
- D. 293,613 1/1988 Winger .
- D. 310,431 9/1990 Bellm .
- D. 323,908 2/1992 Hollister et al. .
- D. 333,015 2/1993 Farmer et al. .
- D. 349,586 8/1994 Handke .
- D. 362,061 9/1995 McGinnis et al. .
- D. 377,089 12/1996 Starr et al. .
- D. 385,960 11/1997 Rudolph ..... D24/110.4
- D. 389,238 1/1998 Kirk, III et al. .
- D. 402,755 12/1998 Kwok .
- D. 412,745 8/1999 Scheu ..... D24/110.4

(List continued on next page.)

#### FOREIGN PATENT DOCUMENTS

- 0 252 052 A1 1/1988 European Pat. Off. .
- 0 264 772 A1 4/1988 European Pat. Off. .
- 0 747 078 A2 12/1996 European Pat. Off. .
- 3345067 A1 6/1984 Germany .
- WO 80/01044 5/1980 WIPO .

- WO 92/20395 11/1992 WIPO .
- WO 93/01854 2/1993 WIPO .
- WO 95/02428 1/1995 WIPO .
- WO 96/17643 6/1996 WIPO .
- WO 96/39206 12/1996 WIPO .
- WO 97/07847 3/1997 WIPO .

*Primary Examiner*—Ian Simmons  
*Attorney, Agent, or Firm*—Reed Smith Shaw & McClay LLP

### [57] CLAIM

The ornamental design for a nasal mask, as shown and described.

### DESCRIPTION

FIG. 1 is a perspective view of one embodiment of a nasal mask in accordance with our new design.

FIG. 2 is an additional perspective view of a first embodiment of a nasal mask in accordance with our new design.

FIG. 3 is a front view of the nasal mask shown in FIG. 1.

FIG. 4 is a back view of the nasal mask shown in FIG. 1.

FIG. 5 is a side view of the nasal mask shown in FIG. 1. The opposite side is identical and not separately illustrated herein.

FIG. 6 is a top view of the nasal mask shown in FIG. 1.

FIG. 7 is a bottom view of the nasal mask shown in FIG. 1.

FIG. 8 is a perspective view of second embodiment of a nasal mask in accordance with our new design, wherein the mask includes a lining.

FIG. 9 is an additional perspective view of second embodiment of a nasal mask in accordance with our new design, wherein the mask includes a lining.

FIG. 10 is a front view of the nasal mask shown in FIG. 7.

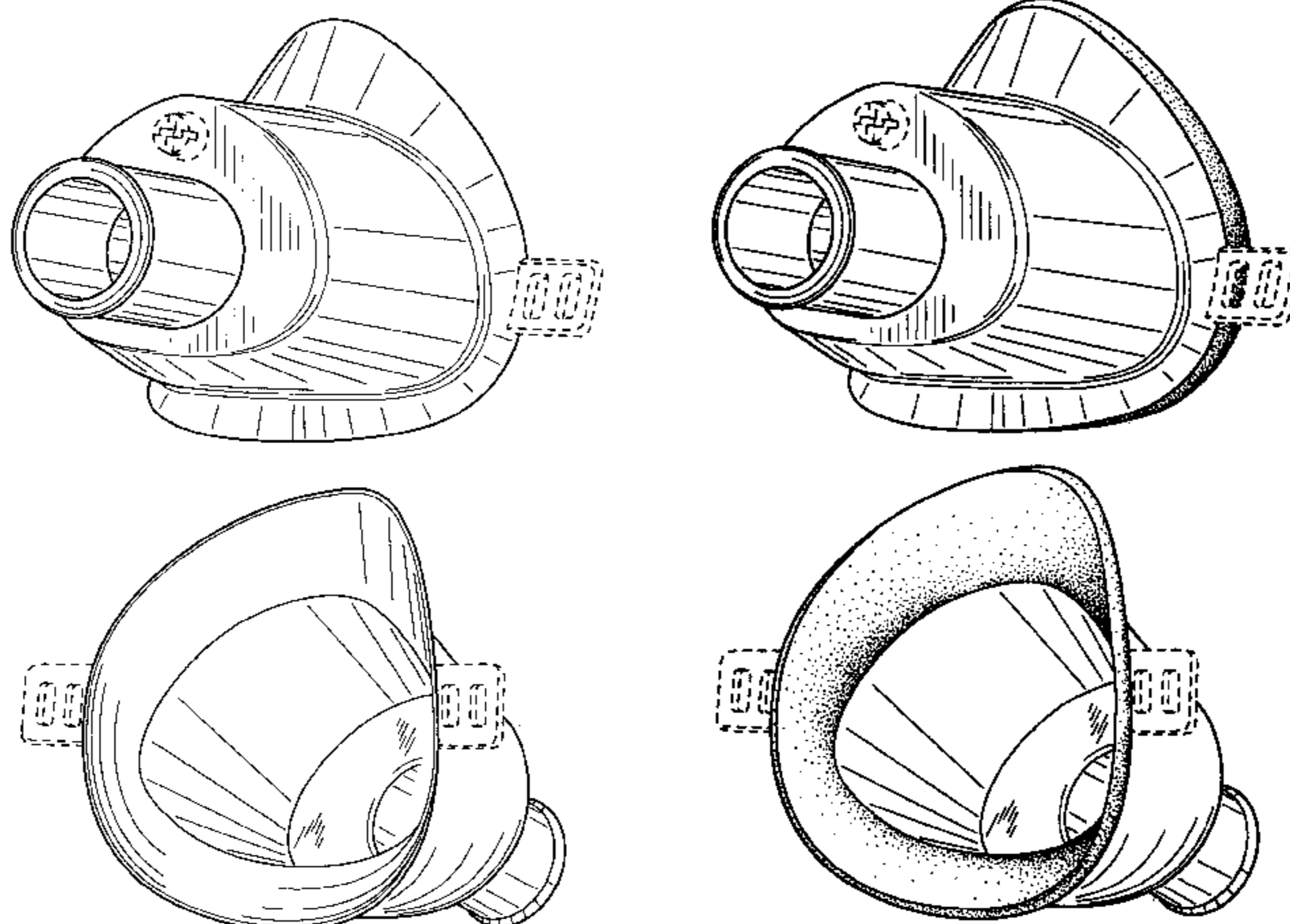
FIG. 11 is a back view of the nasal mask shown in FIG. 7.

FIG. 12 is a side view of the nasal mask shown in FIG. 7. The opposite side is identical and not separately illustrated herein.

FIG. 13 is a top view of the nasal mask shown in FIG. 7; and, FIG. 14 is a bottom view of the nasal mask shown in FIG. 7.

The portions drawn in broken lines are shown for illustrative purposes only and do not form part of the claimed design.

1 Claim, 8 Drawing Sheets



U.S. PATENT DOCUMENTS					
			4,655,213	4/1987	Rapoport et al. .
			4,677,977	7/1987	Wilcox .
			4,739,755	4/1988	White et al. .
			4,750,482	6/1988	Sieverding .
			4,807,617	2/1989	Nesti .
			4,809,692	3/1989	Nowacki et al. .... 128/206.24
			4,832,015	5/1989	Nowacki et al. .... 128/206.12
			4,907,584	3/1990	McGinnis .
			4,944,310	7/1990	Sullivan .
			4,966,140	10/1990	Herzberg .
			5,143,061	9/1992	Kaimer .
			5,243,971	9/1993	Sullivan et al. .
			5,322,061	6/1994	Brunson .
			5,400,779	3/1995	De Resende .
			5,492,116	2/1996	Scarberry et al. .
			5,560,354	10/1996	Berthon-Jones et al. .
			5,645,049	7/1997	Foley et al. .... 128/207.12
			5,647,357	7/1997	Barnett et al. .
			5,662,101	9/1997	Ogden et al. .... 128/206.24
			5,676,133	10/1997	Hickle et al. .
			5,724,965	3/1998	Handke et al. .
			5,746,201	5/1998	Kidd .
			5,752,511	5/1998	Simmons et al. .
2,011,733	8/1935	Shindel .			
2,104,016	1/1938	Biggs .			
2,254,854	9/1941	O'Connell .			
2,317,608	4/1943	Heidbrink .			
2,749,910	6/1956	Faulconer, Jr. .			
2,928,388	3/1960	Jaroslaw .			
2,931,356	4/1960	Schwarz .			
2,939,458	6/1960	Lundquist .			
3,049,121	8/1962	Brumfield et al. .			
3,193,624	7/1965	Webb et al. .... 128/207.12			
3,330,273	7/1967	Bennett .			
3,357,426	12/1967	Cohen .			
3,695,265	10/1972	Brevik .			
3,834,384	9/1974	Raines .			
4,004,584	1/1977	Geaney .			
4,167,185	9/1979	Lewis .			
4,192,785	3/1980	Chen et al. .			
4,196,727	4/1980	Verkaart et al. .			
4,240,420	12/1980	Riaboy .			
4,337,767	7/1982	Yahata .			
4,382,440	5/1983	Kapp et al. .			
4,467,799	8/1984	Steinberg .			
4,506,665	3/1985	Andrews et al. .			

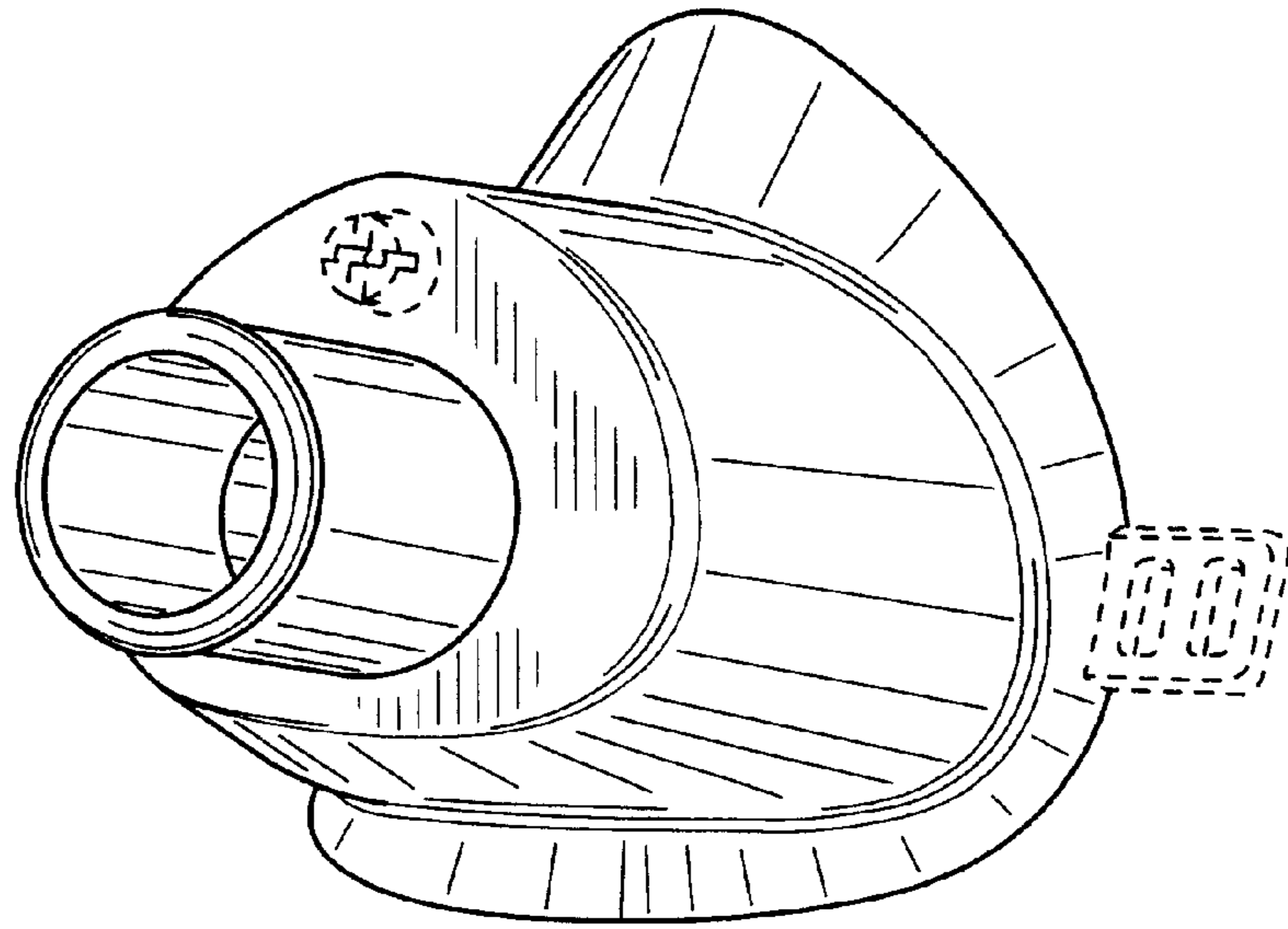


FIG. 1

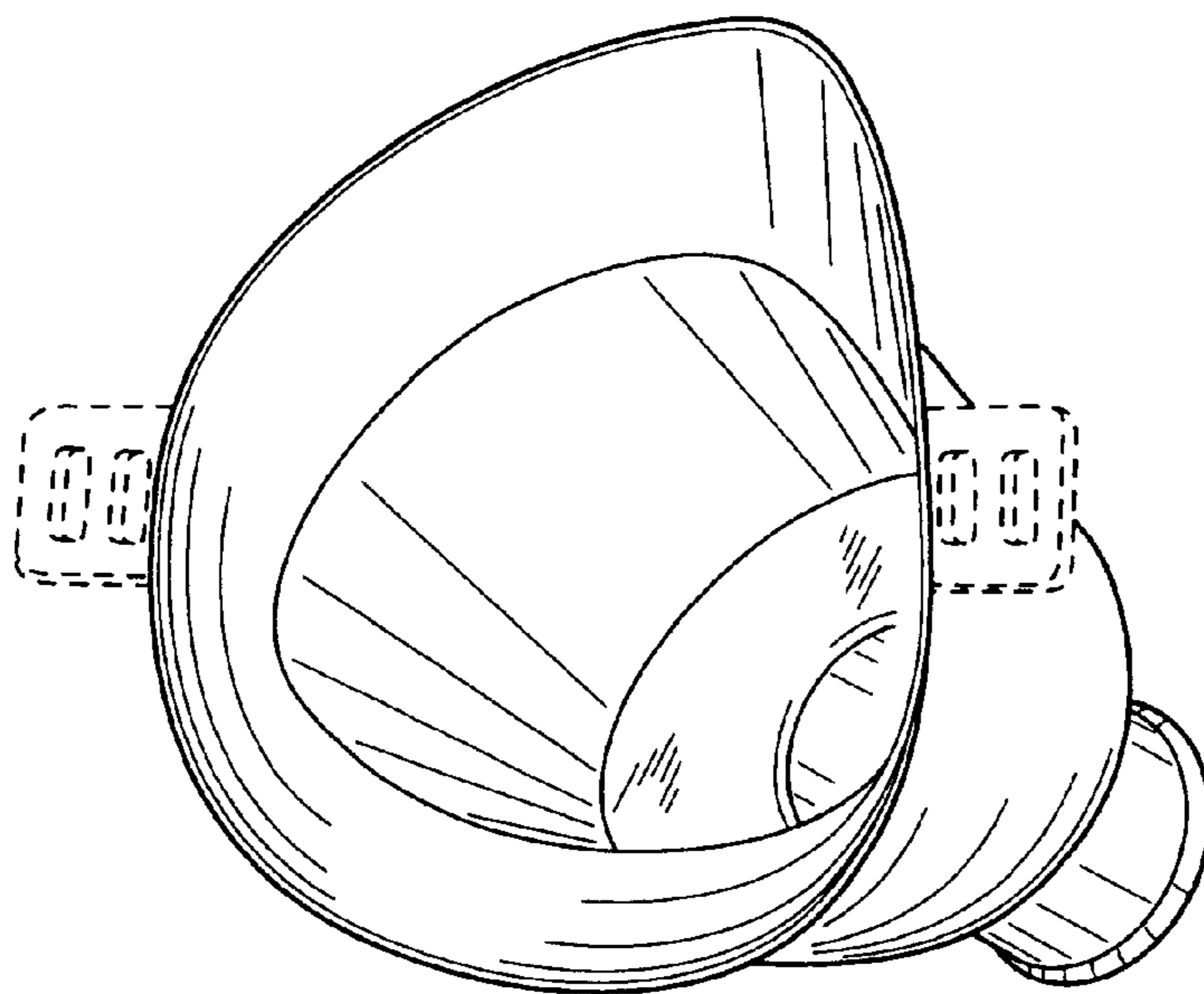


FIG. 2

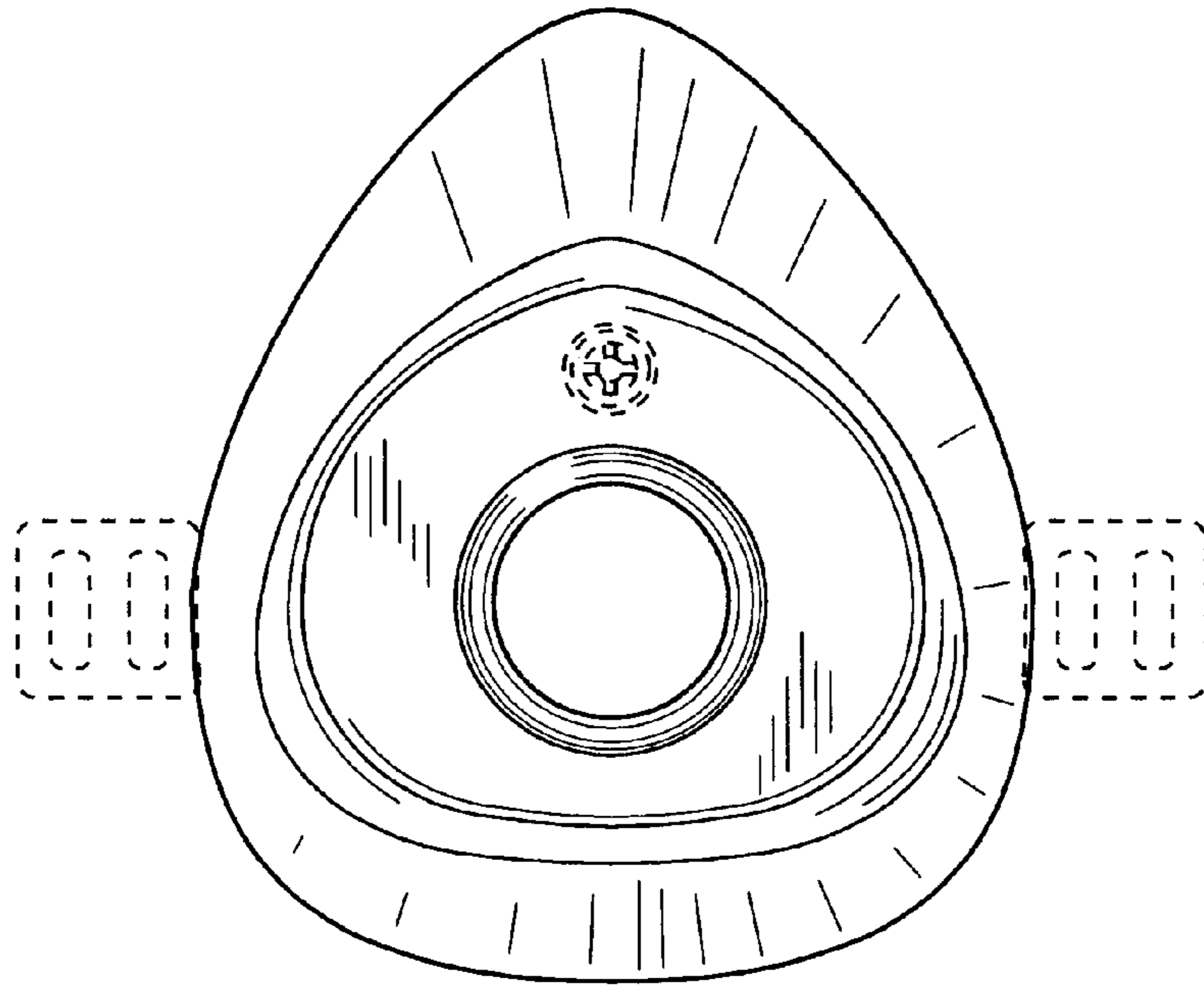


FIG. 3

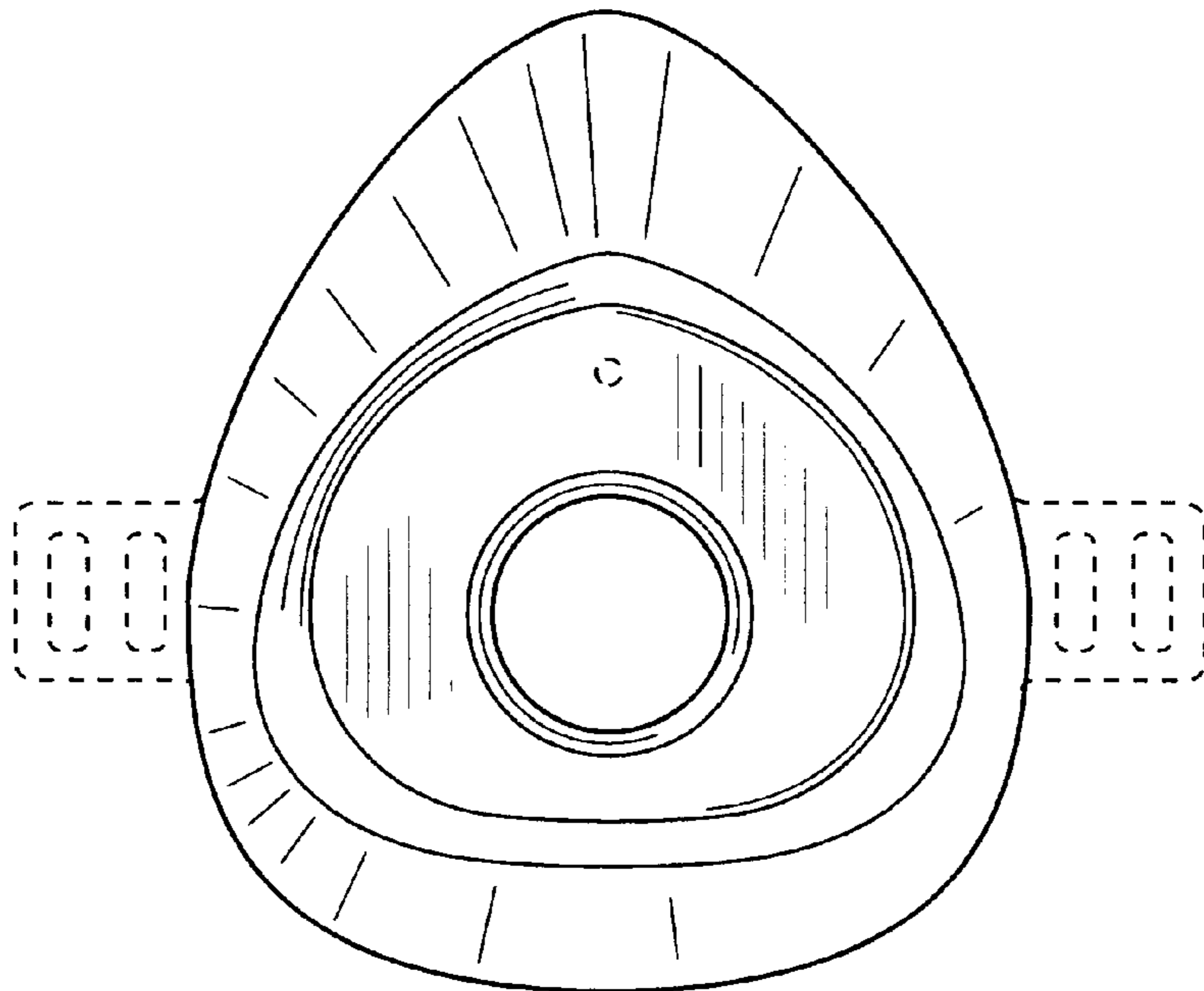


FIG. 4

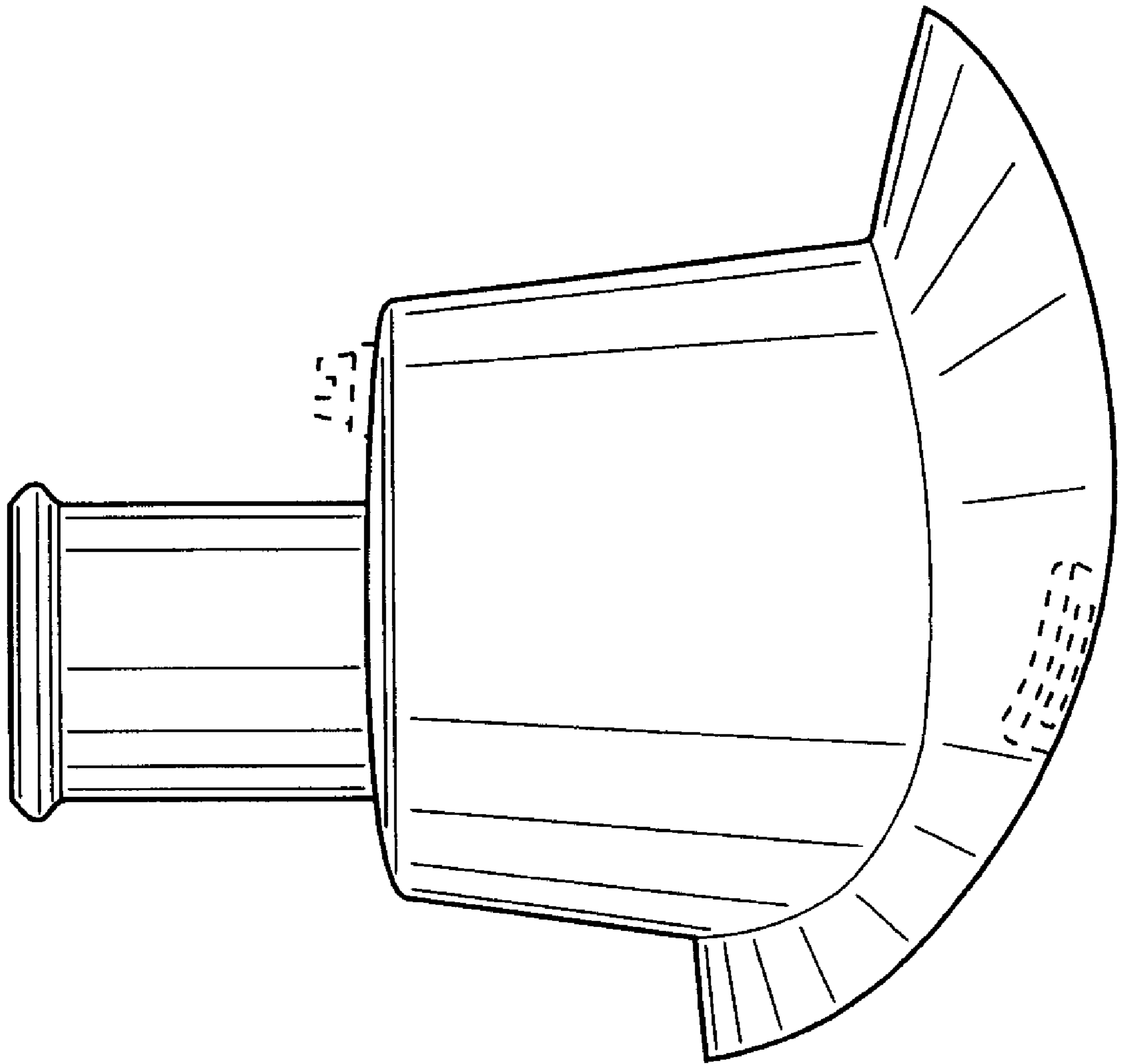


FIG. 5

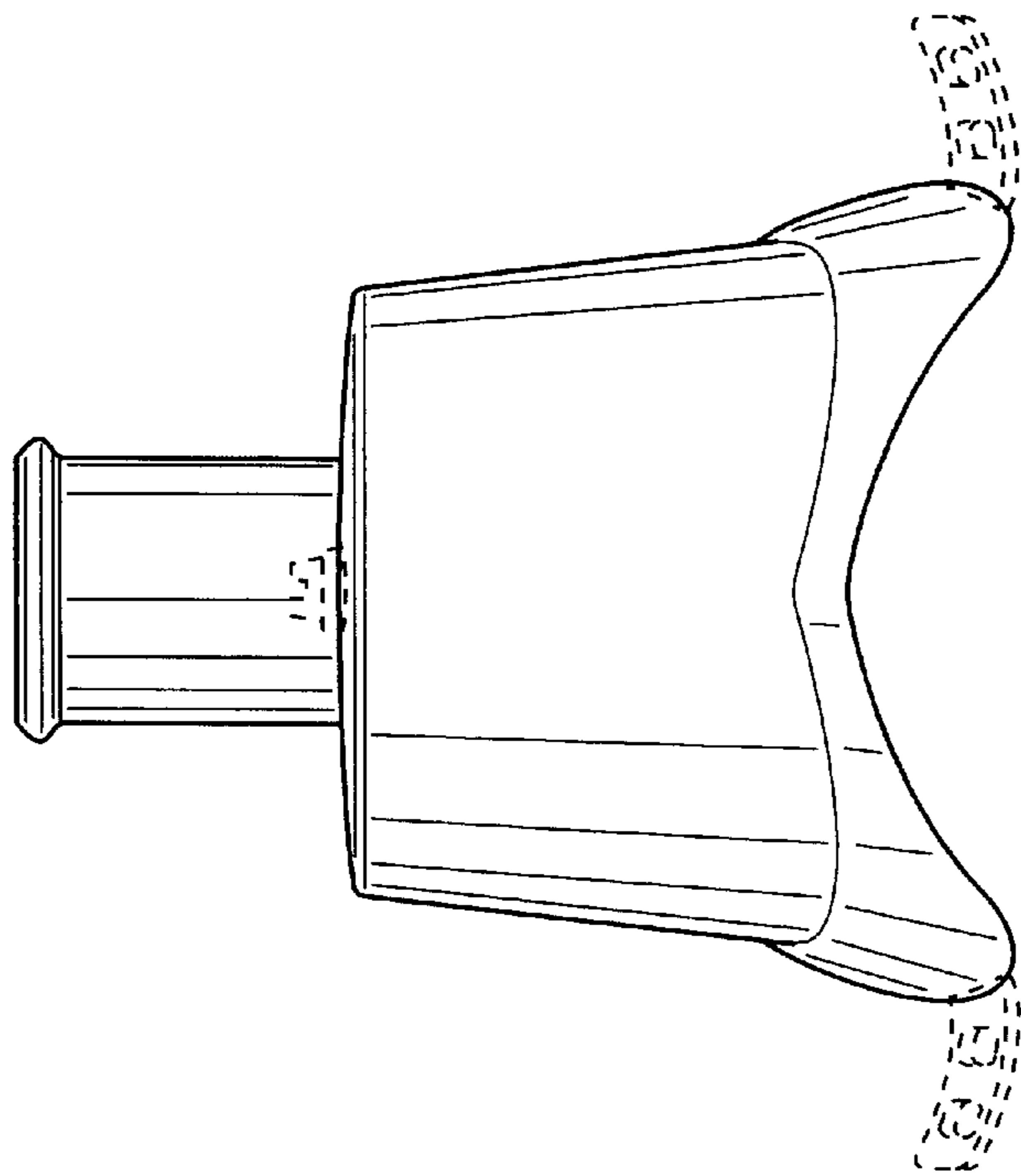


FIG. 6

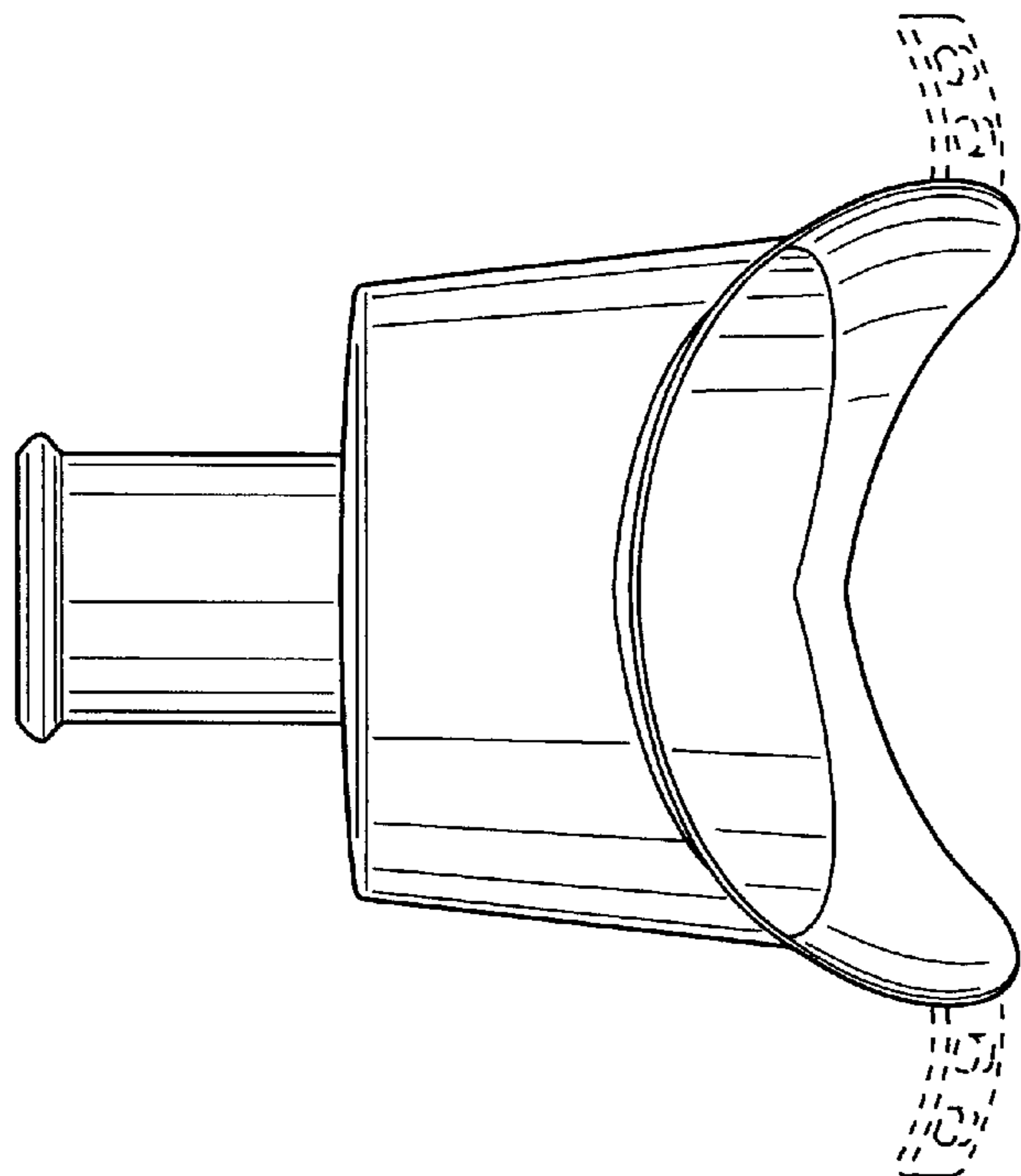


FIG. 7

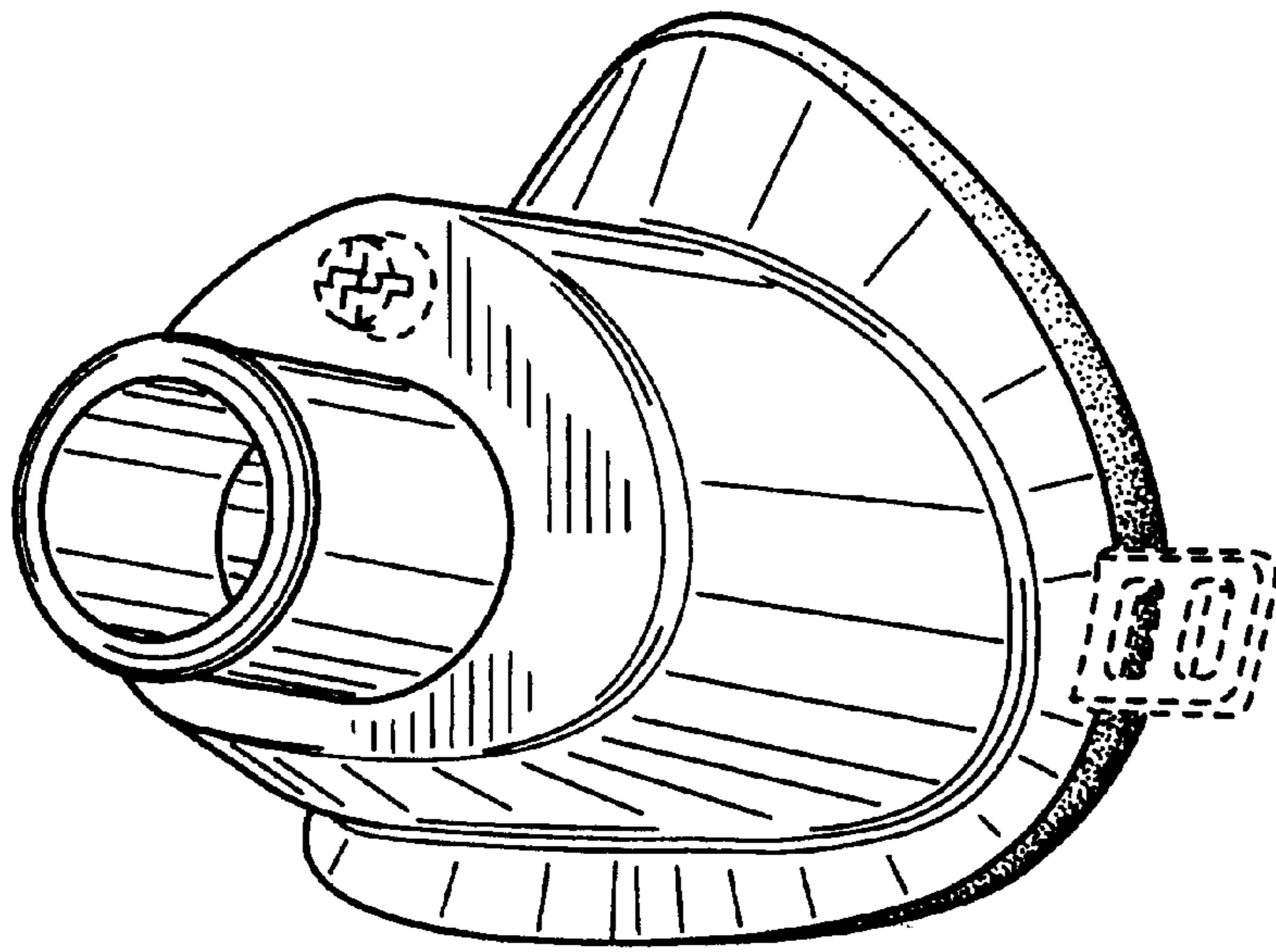


FIG. 8

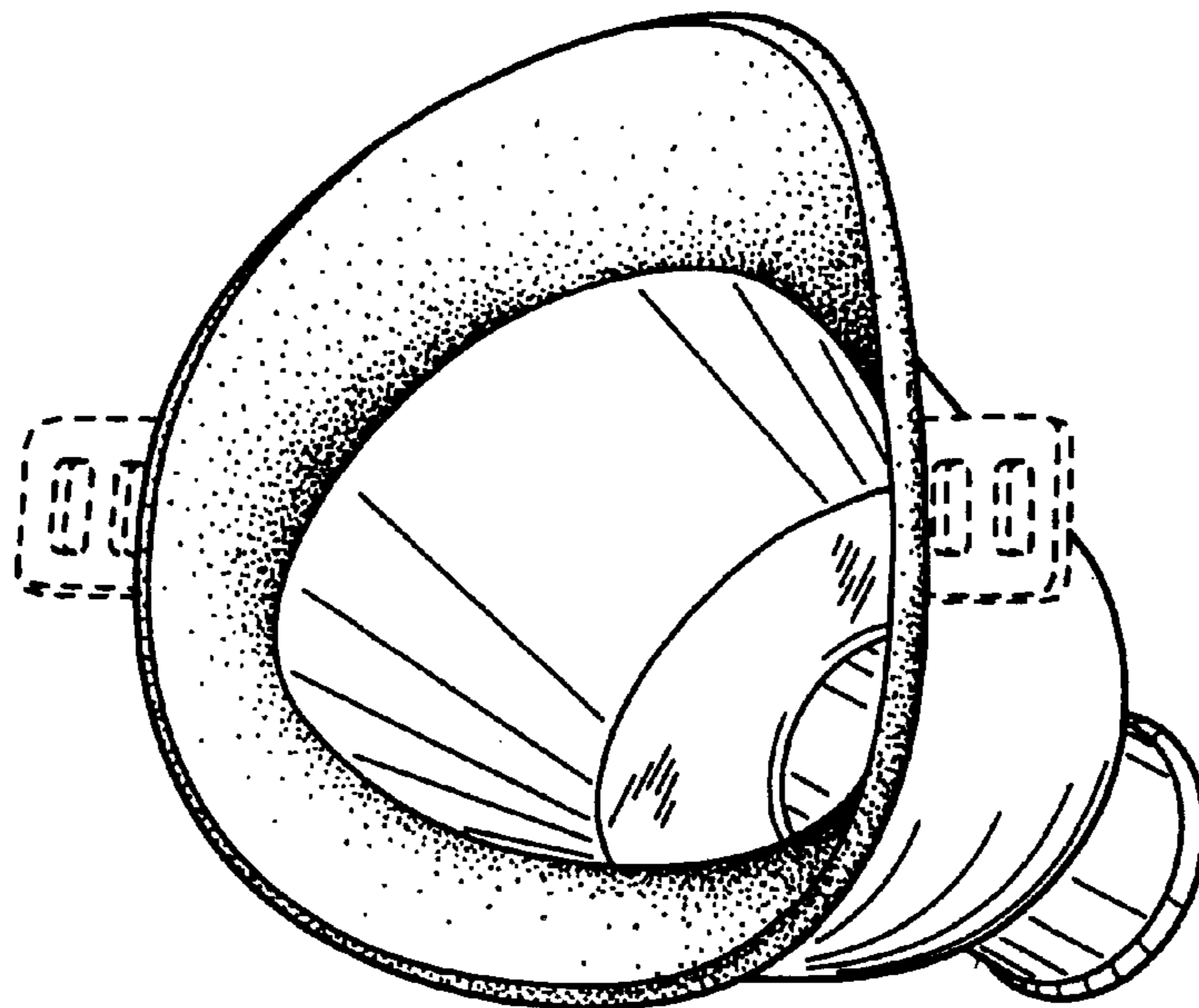


FIG. 9

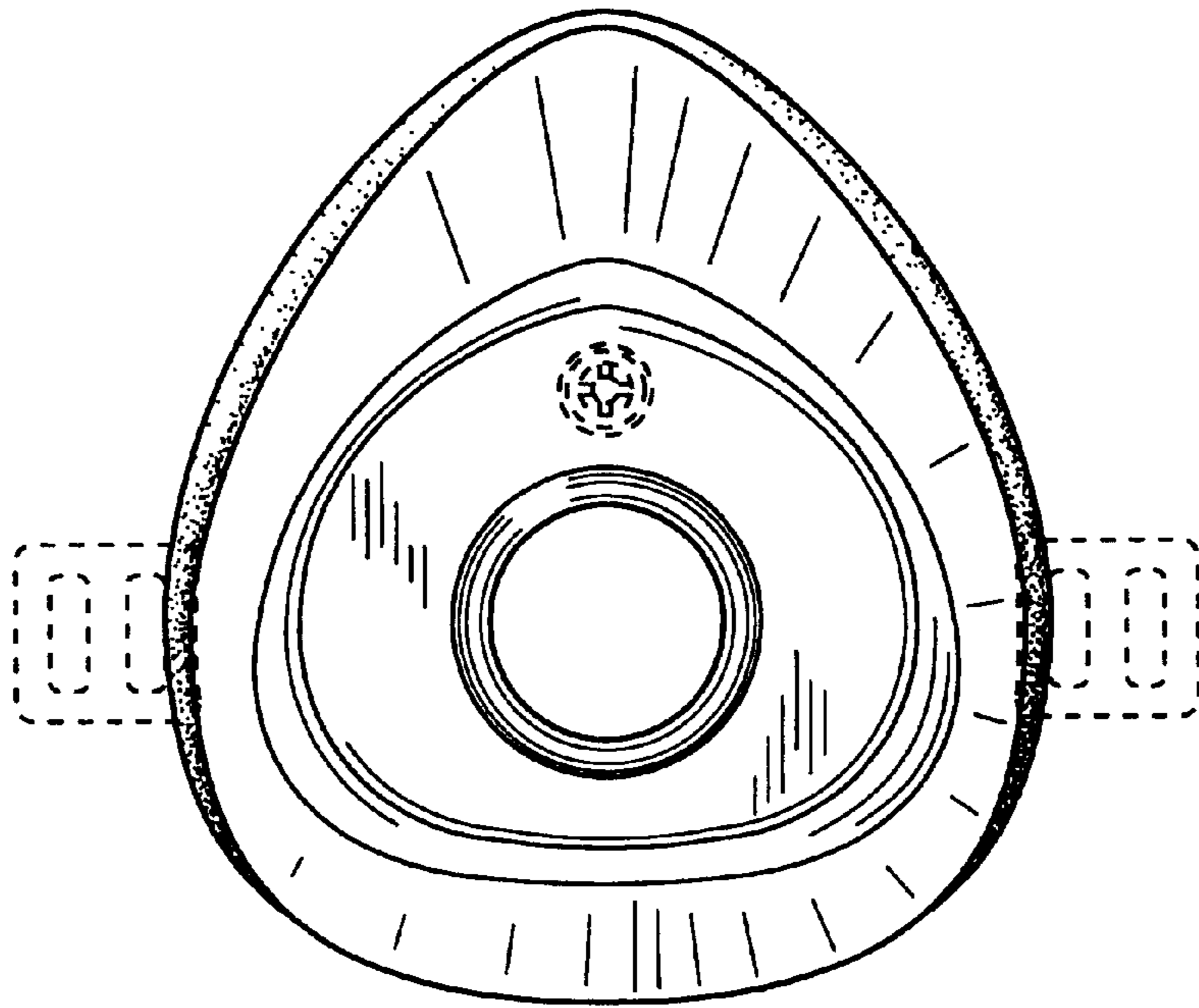


FIG. 10

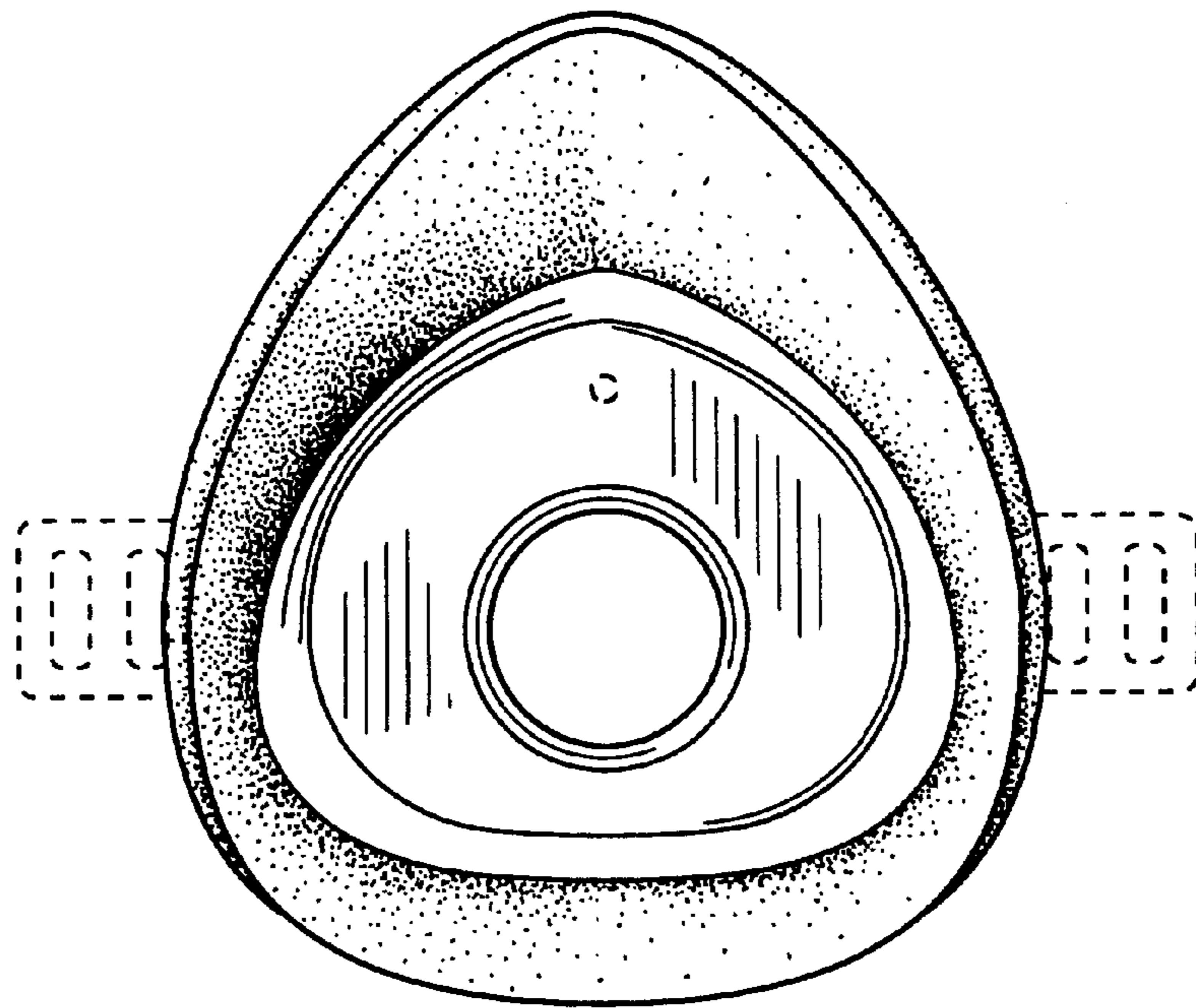


FIG. 11



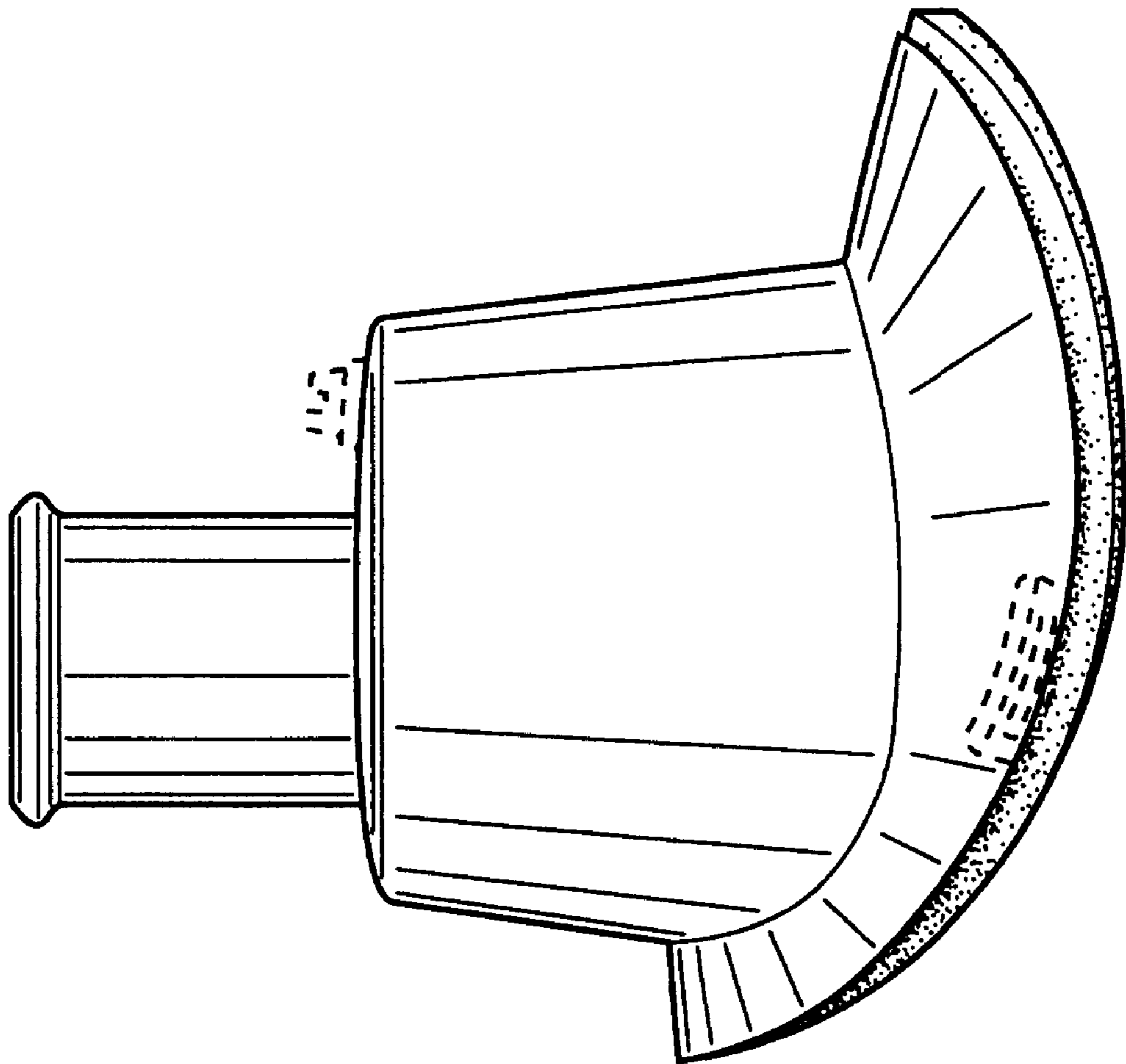


FIG. 12

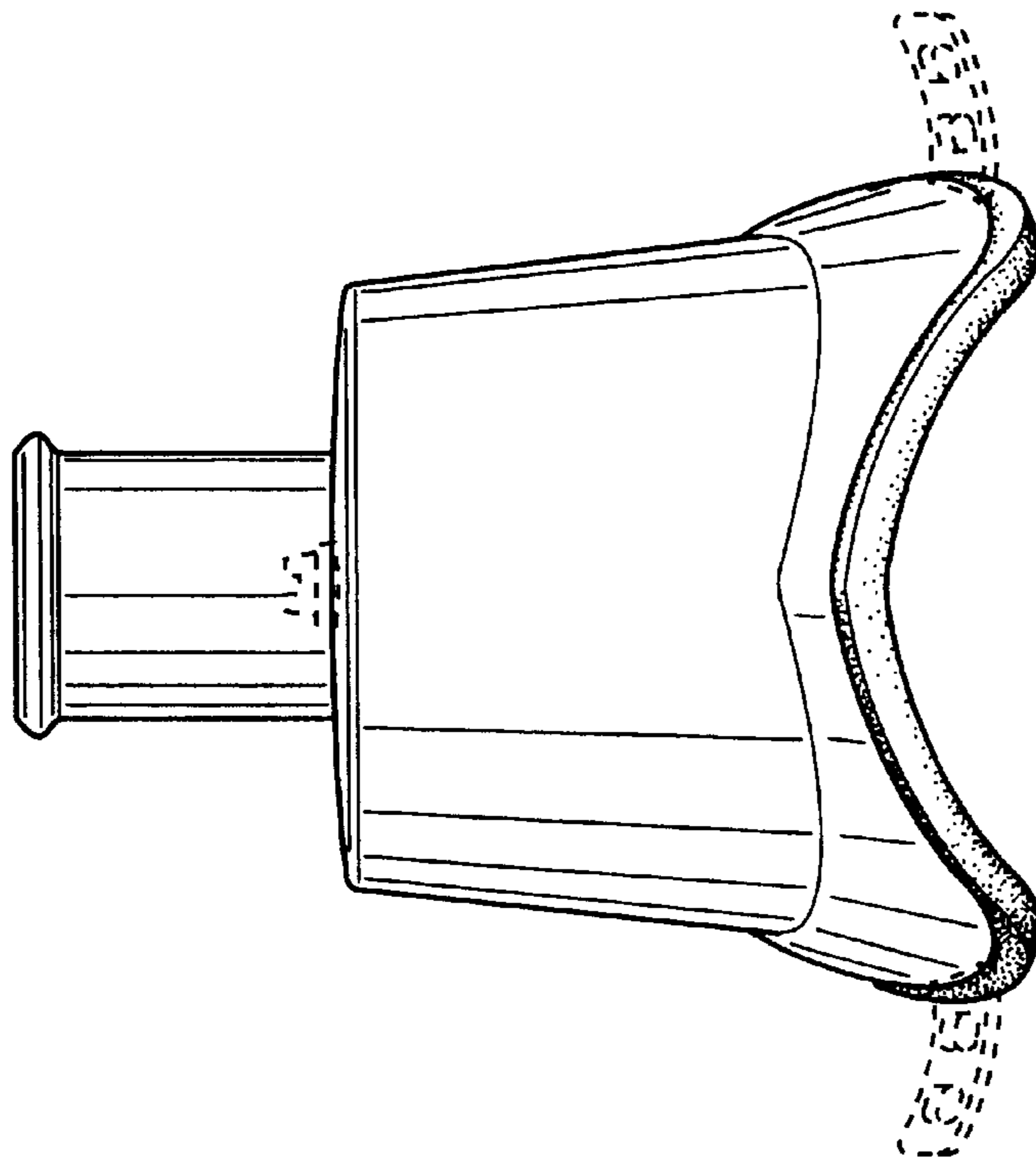


FIG. 13

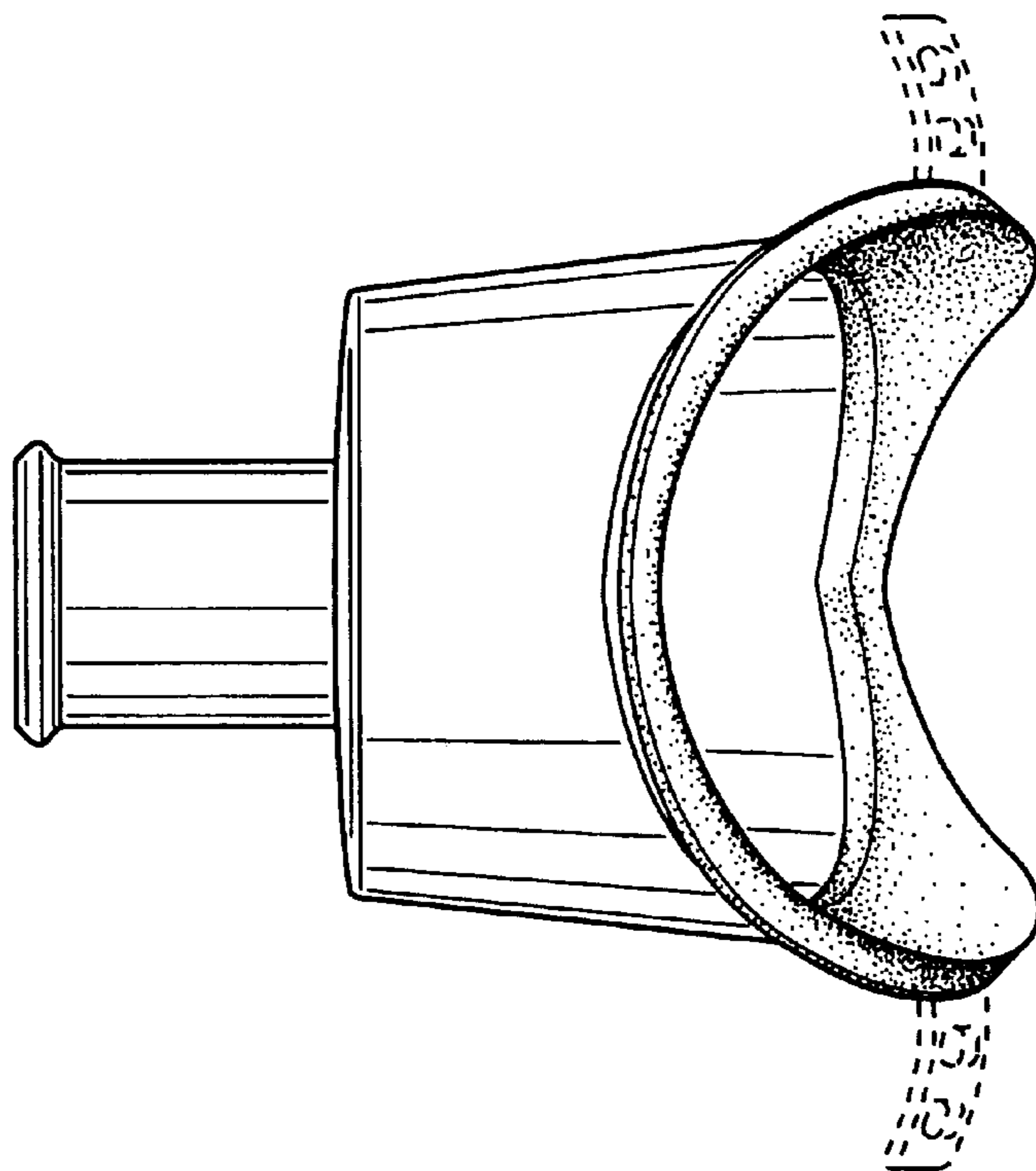


FIG. 14