



US00D431071S

United States Patent [19] Tani

[11] **Patent Number: Des. 431,071**

[45] **Date of Patent: ** Sep. 19, 2000**

[54] **WATER CLOSET**

[75] Inventor: **Minoru Tani**, Kitakyushu, Japan

[73] Assignee: **Toto Ltd.**, Japan

[**] Term: **14 Years**

[21] Appl. No.: **29/112,966**

[22] Filed: **Oct. 28, 1999**

Related U.S. Application Data

[62] Division of application No. 29/070,755, May 15, 1997.

Foreign Application Priority Data

Nov. 15, 1996 [JP] Japan 8-034747

[51] **LOC (7) Cl.** **23-02**

[52] **U.S. Cl.** **D23/301**

[58] **Field of Search** D23/295-301,
D23/303-311, 300, 329-332, 353, 354,
363-365, 420, 420.1-420.5, 443-448, 661

References Cited

U.S. PATENT DOCUMENTS

- D. 250,202 11/1978 Doman et al. D23/65
- D. 278,078 3/1985 Kaiser D23/65
- D. 292,431 10/1987 Kohler, Jr. D23/301
- D. 311,243 10/1990 Vaupel et al. D23/301

- D. 346,854 5/1994 Reid D23/301
- D. 349,156 7/1994 Kohler, Jr. et al. D23/301
- D. 352,549 11/1994 Sim D23/301
- D. 353,450 12/1994 Anderson et al. D23/301
- D. 379,496 5/1997 Kawamura et al. D23/301
- D. 381,408 7/1997 Birsal et al. D23/301
- D. 383,833 9/1997 Birsal et al. D23/301
- D. 384,136 9/1997 Kawamura et al. D23/301
- D. 393,309 4/1998 Tani D23/301

FOREIGN PATENT DOCUMENTS

- 845954 8/1992 Japan .
- 922493 3/1995 Japan .
- 925113 5/1995 Japan .

Primary Examiner—Doris Clark
Attorney, Agent, or Firm—Finnegan, Henderson, Farabow,
Garrett & Dunner, L.L.P.

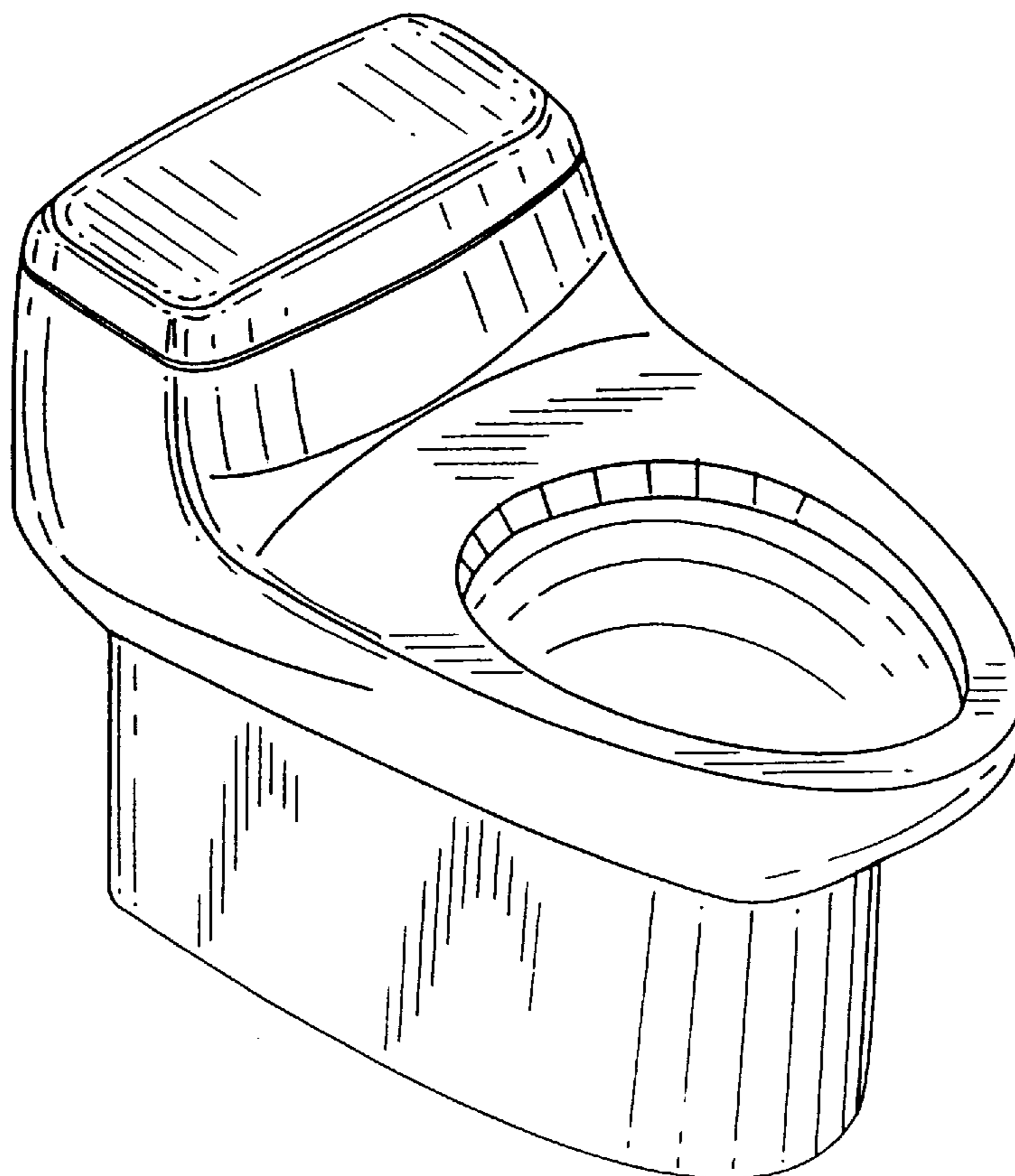
[57] CLAIM

The ornamental design for a water closet, as shown and described.

DESCRIPTION

FIG. 1 is a front view of a water closet embodying my design;
FIG. 2 is a top view thereof;
FIG. 3 is a left side view thereof, the right side being a mirror image of the left side; and,
FIG. 4 is a perspective view thereof.

1 Claim, 2 Drawing Sheets



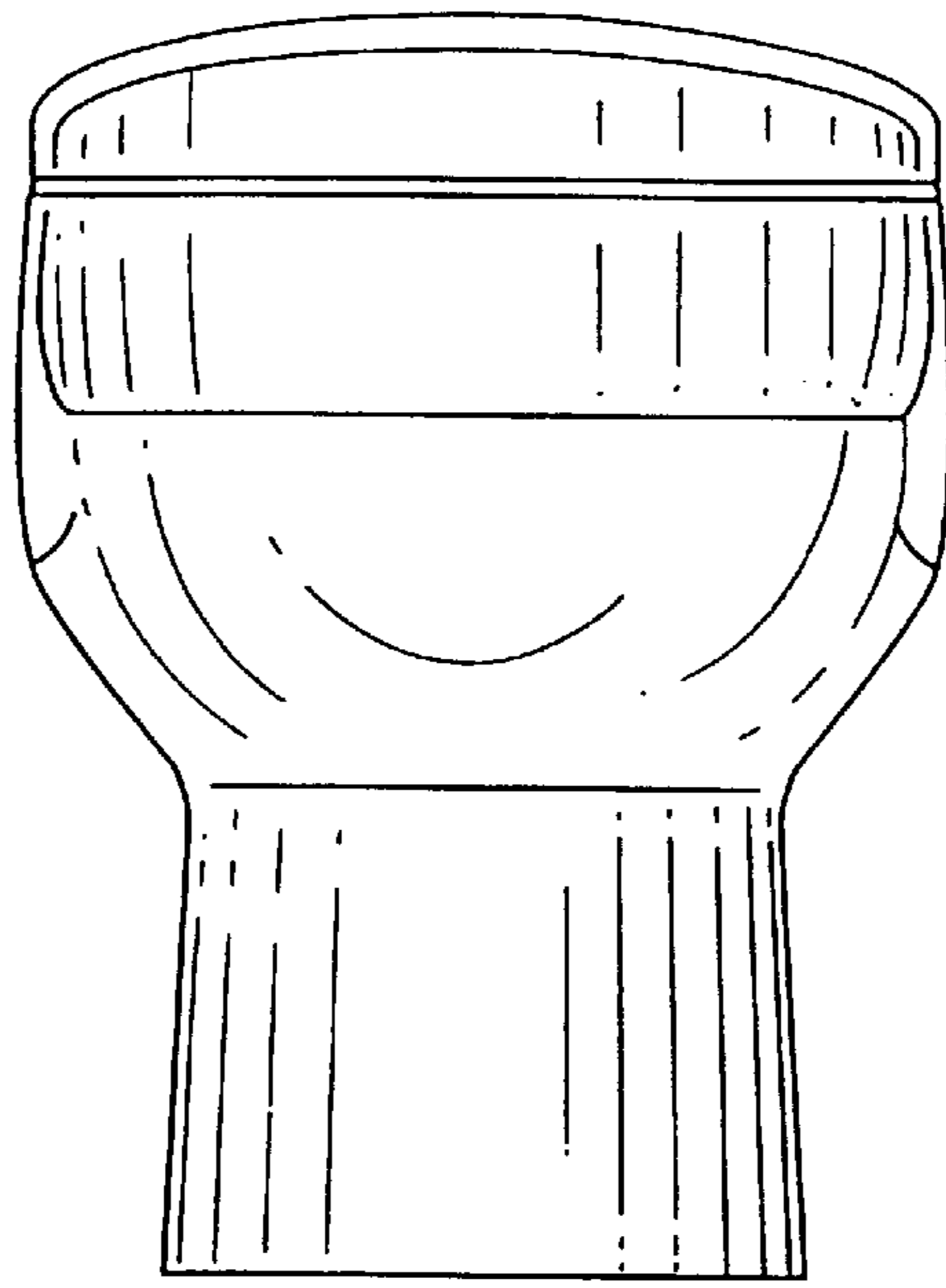


FIG. 1

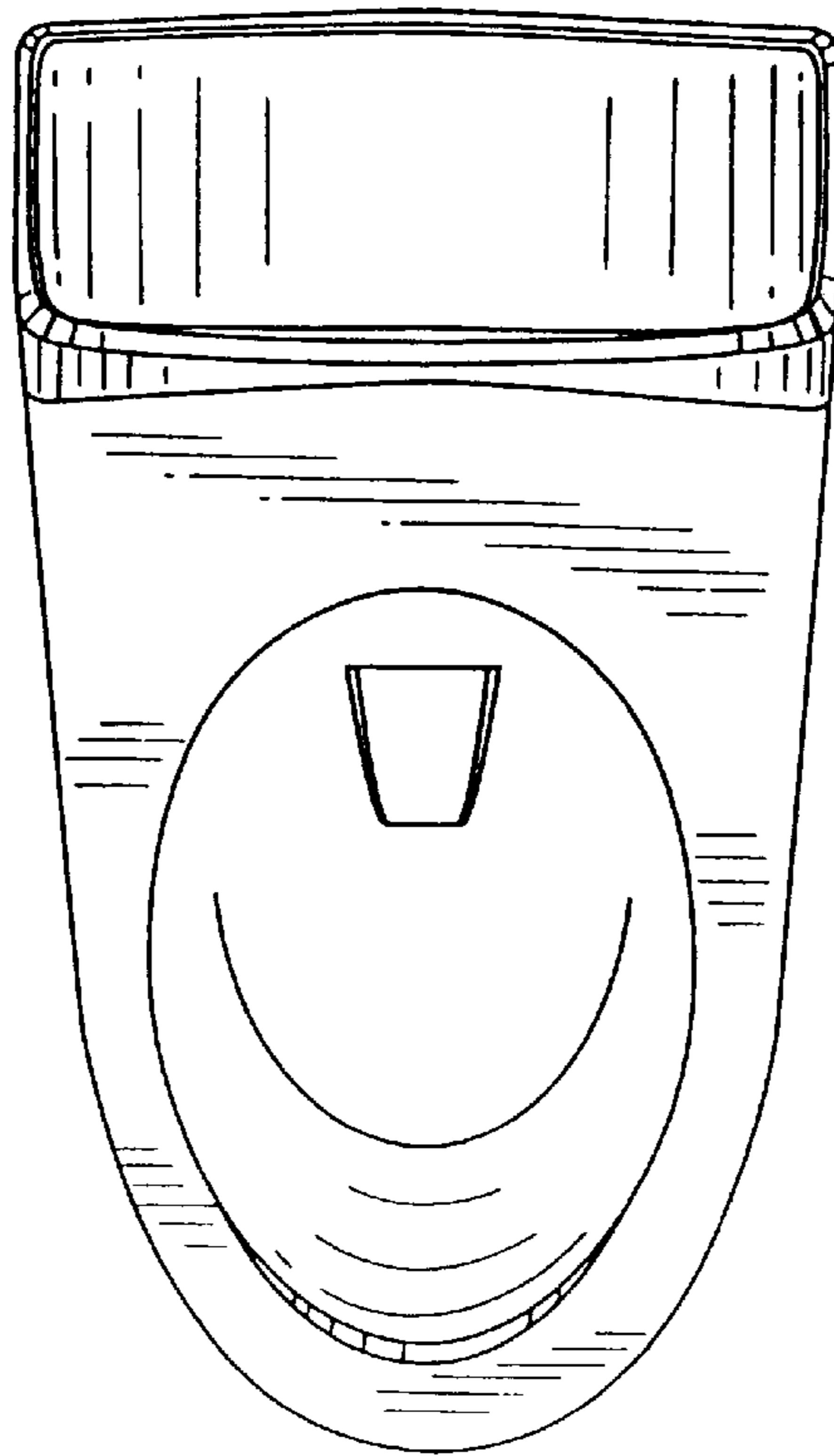


FIG. 2

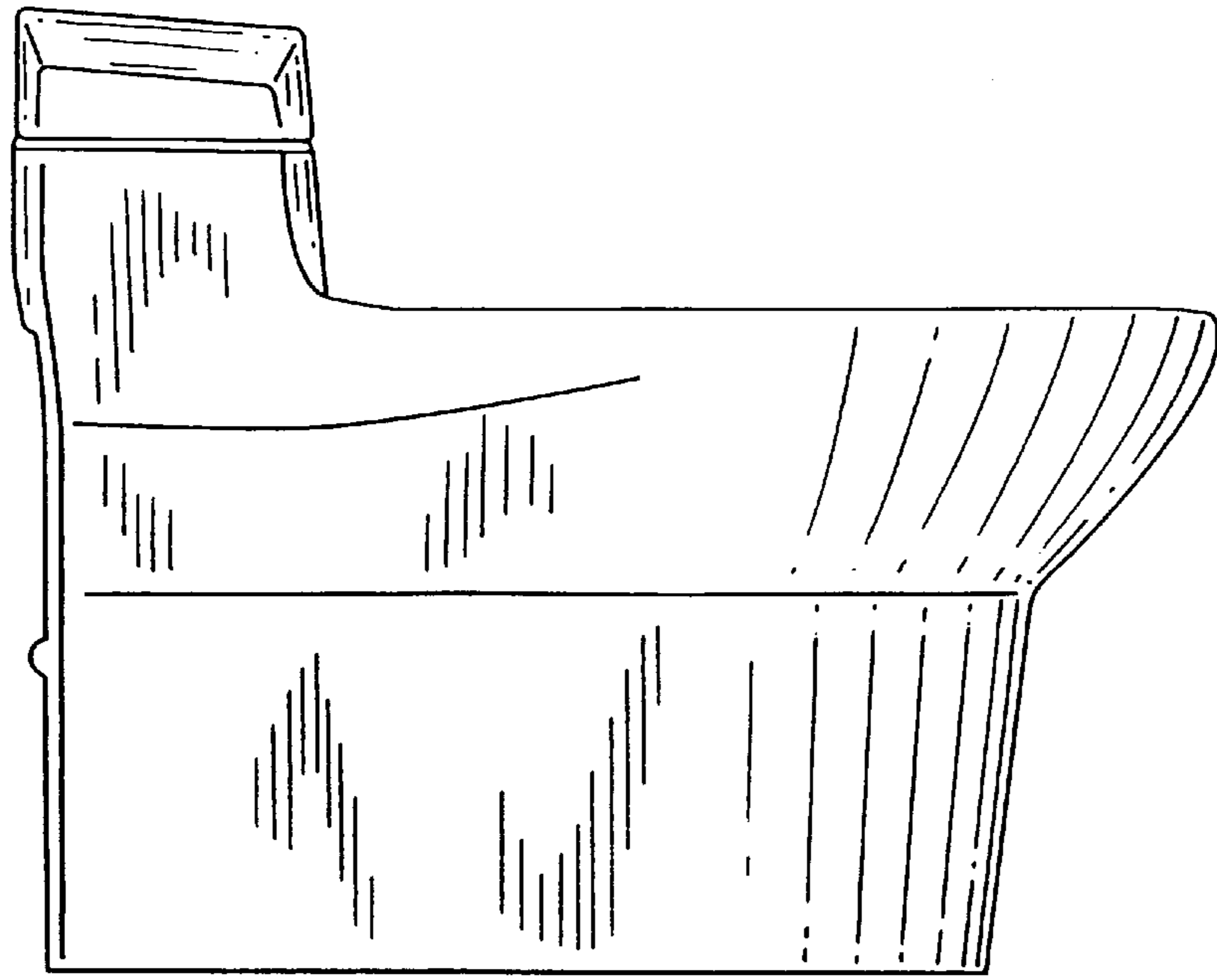


FIG. 3

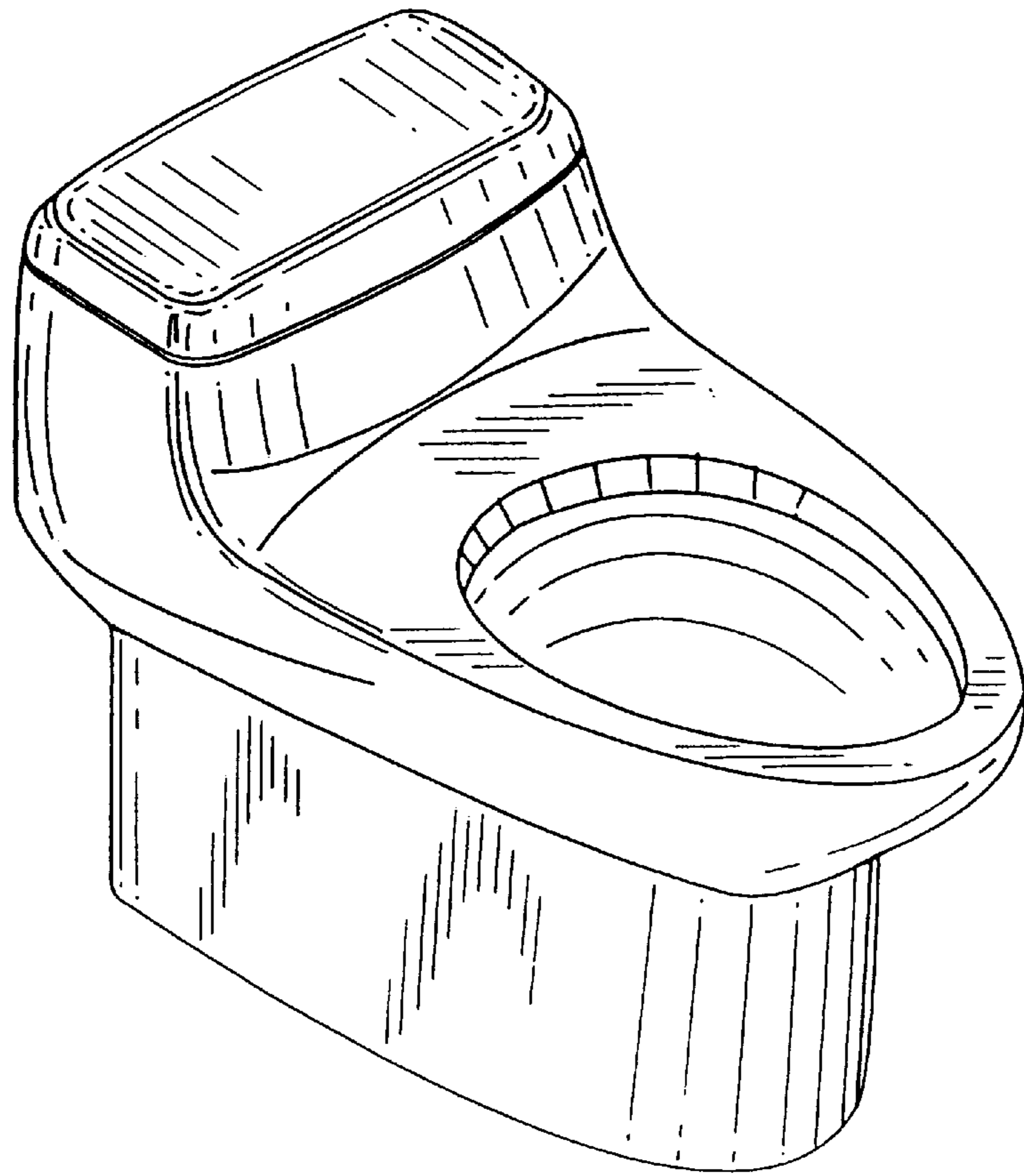


FIG. 4