



US00D431068S

United States Patent [19]

[11] **Patent Number: Des. 431,068**

Beaver et al.

[45] **Date of Patent: ** Sep. 19, 2000**

[54] **SPRAYER**

[75] Inventors: **Larry Gene Beaver**, Lake Park, Ga.;
Mark T. MacLean-Blevins,
Westminster, Md.; **Craig Stephen**
Ketcham, Somerset, Pa.

[73] Assignee: **Griffin LLC**, Valdosta, Ga.

[**] Term: **14 Years**

[21] Appl. No.: **29/111,582**

[22] Filed: **Sep. 30, 1999**

[51] **LOC (7) Cl.** **23-01**

[52] **U.S. Cl.** **D23/213; D23/225**

[58] **Field of Search** **D23/213, 225;**
239/310, 312, 314, 316-8

U.S. Design application Ser. No. 29/111,583 filed Sep. 30, 1999.

U.S. Design Patent application Ser. No. 29/112,165 filed Oct. 8, 1999.

U.S. Design Patent application Ser. No. 29/111,586 filed Sep. 30, 1999.

U.S. Design Patent application Ser. No. 29/111,587 filed Sep. 30, 1999.

U.S. Design Patent application Ser. No. 29/111,585 filed Sep. 30, 1999.

U.S. Design Patent application Ser. No. 29/111,584 filed Sep. 30, 1999.

Green Garden, Inc., Lawn & Garden Accessories, "Hose End Sprayers," brochure, 4 pages.

Five pages of photocopy of bottle of Armor All E-Z Spray Window Wash.

[56] **References Cited**

U.S. PATENT DOCUMENTS

D. 298,848	12/1988	Chow et al.	D23/213
D. 319,292	8/1991	Gunzel et al.	D23/213
D. 356,026	3/1995	Iaia et al. .	
D. 358,865	5/1995	Englhard	D23/213
2,646,063	7/1953	Hayes .	
3,104,813	9/1963	Baatrup .	
3,104,825	9/1963	Hayes .	
3,106,347	10/1963	Hayes .	
3,181,797	5/1965	Hayes .	
3,201,049	8/1965	Hayes .	
3,381,899	5/1968	Forsman .	

(List continued on next page.)

OTHER PUBLICATIONS

U.S. Patent application Ser. No. 09/236,142 filed Jan. 22, 1999.

U.S. Design Patent application Ser. No. 29/111,906 filed Oct. 6, 1999.

Primary Examiner—Robin V. Taylor

Attorney, Agent, or Firm—Jones & Askew LLP

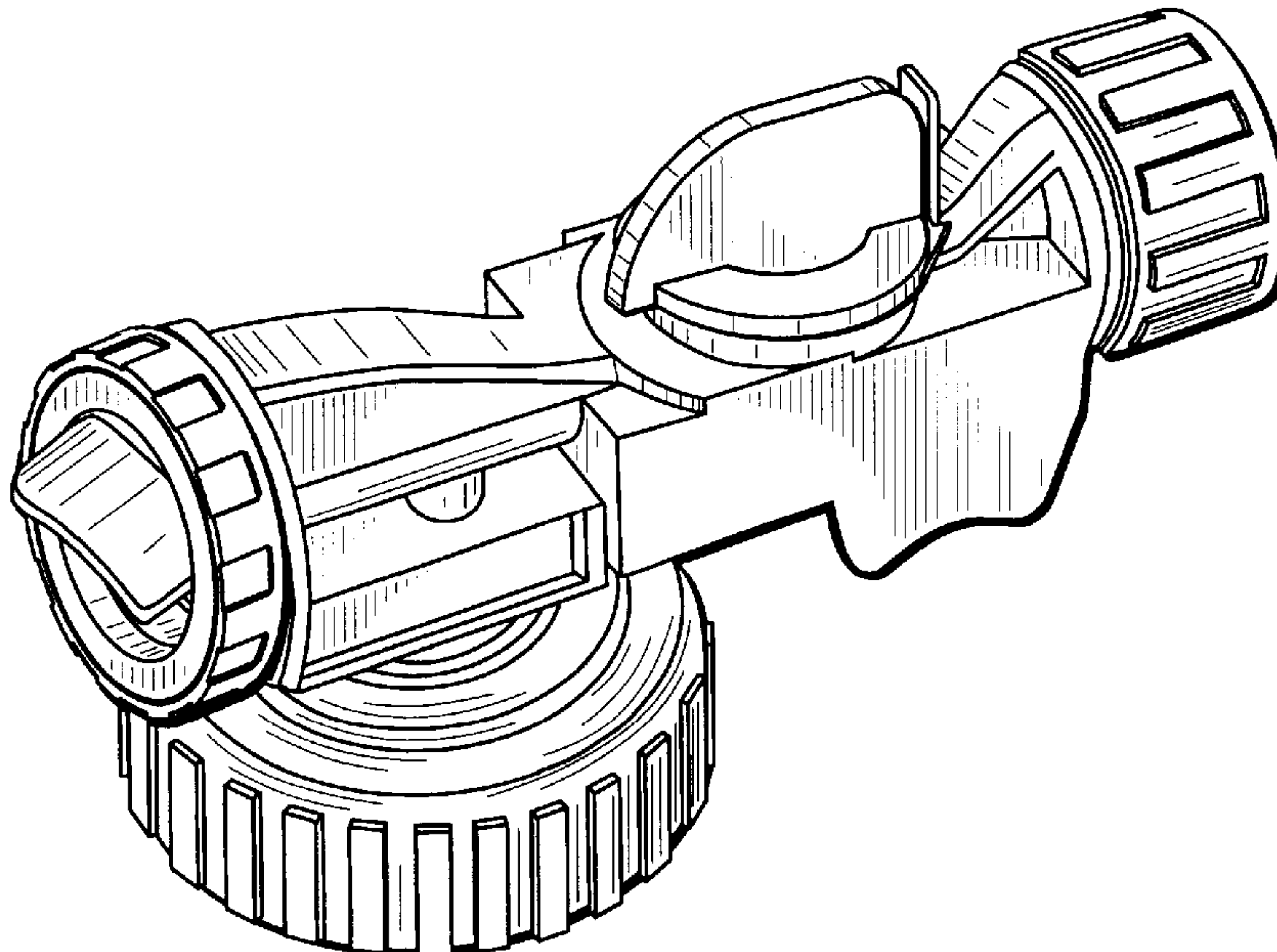
[57] **CLAIM**

The ornamental design for a sprayer, as shown.

DESCRIPTION

FIG. 1 is a perspective view of our new sprayer;
FIG. 2 is a left side view of the sprayer shown in FIG. 1;
FIG. 3 is a right view of the sprayer shown in FIG. 1;
FIG. 4 is a front view of the sprayer shown in FIG. 1;
FIG. 5 is a rear view of the sprayer shown in FIG. 1;
FIG. 6 is a top plan view fo the sprayer shown in FIG. 1; and,
FIG. 7 is a bottom plan view of the sprayer shown in FIG. 1.

1 Claim, 2 Drawing Sheets



U.S. PATENT DOCUMENTS

4,057,505	11/1977	Nakagawa et al. .	5,370,275	12/1994	Mills et al. .
4,071,463	1/1978	Steinhauer .	5,376,296	12/1994	Dutcher .
4,113,645	9/1978	DeSimone .	5,383,603	1/1995	Englhard et al. .
4,116,851	9/1978	Rupe et al. .	5,385,270	1/1995	Cataneo et al. .
4,355,739	10/1982	Vierkotter .	5,398,846	3/1995	Corba et al. .
4,489,890	12/1984	Martin .	5,402,916	4/1995	Nottingham et al. .
4,527,741	7/1985	Garneau .	5,433,350	7/1995	Graubart .
4,570,856	2/1986	Groth et al. .	5,439,141	8/1995	Clark et al. .
4,618,077	10/1986	Corsette .	5,467,900	11/1995	Maas et al. .
4,747,523	5/1988	Dobbs .	5,472,119	12/1995	Park et al. .
4,789,495	12/1988	Cahall et al. .	5,535,950	7/1996	Barriac et al. .
4,801,046	1/1989	Miczka .	5,560,545	10/1996	Grogan et al. .
4,806,263	2/1989	Leathers et al. .	5,562,250	10/1996	O'Neill .
4,964,539	10/1990	Mueller .	5,564,600	10/1996	Renault .
5,009,342	4/1991	Lawrence et al. .	5,566,860	10/1996	Schiltz et al. .
5,039,016	8/1991	Gunzel, Jr. et al. .	5,567,247	10/1996	Hawes et al. .
5,052,590	10/1991	Ratcliff .	5,586,695	12/1996	Labus et al. .
5,100,059	3/1992	Englhard et al. .	5,595,345	1/1997	Chura et al. .
5,143,261	9/1992	Drobish .	5,605,578	2/1997	Hawes et al. .
5,152,461	10/1992	Proctor .	5,626,259	5/1997	Maas et al. .
5,213,265	5/1993	Englhard et al. .	5,676,280	10/1997	Robinson .
5,223,168	6/1993	Holt .	5,676,282	10/1997	Satterfield .
5,290,470	3/1994	Dutcher .	5,713,519	2/1998	Sandison et al. .
5,320,288	6/1994	Ketcham, Jr. .	5,735,422	4/1998	Binter .
5,332,157	7/1994	Proctor .	5,850,973	12/1998	Liljeqvist et al. 239/312

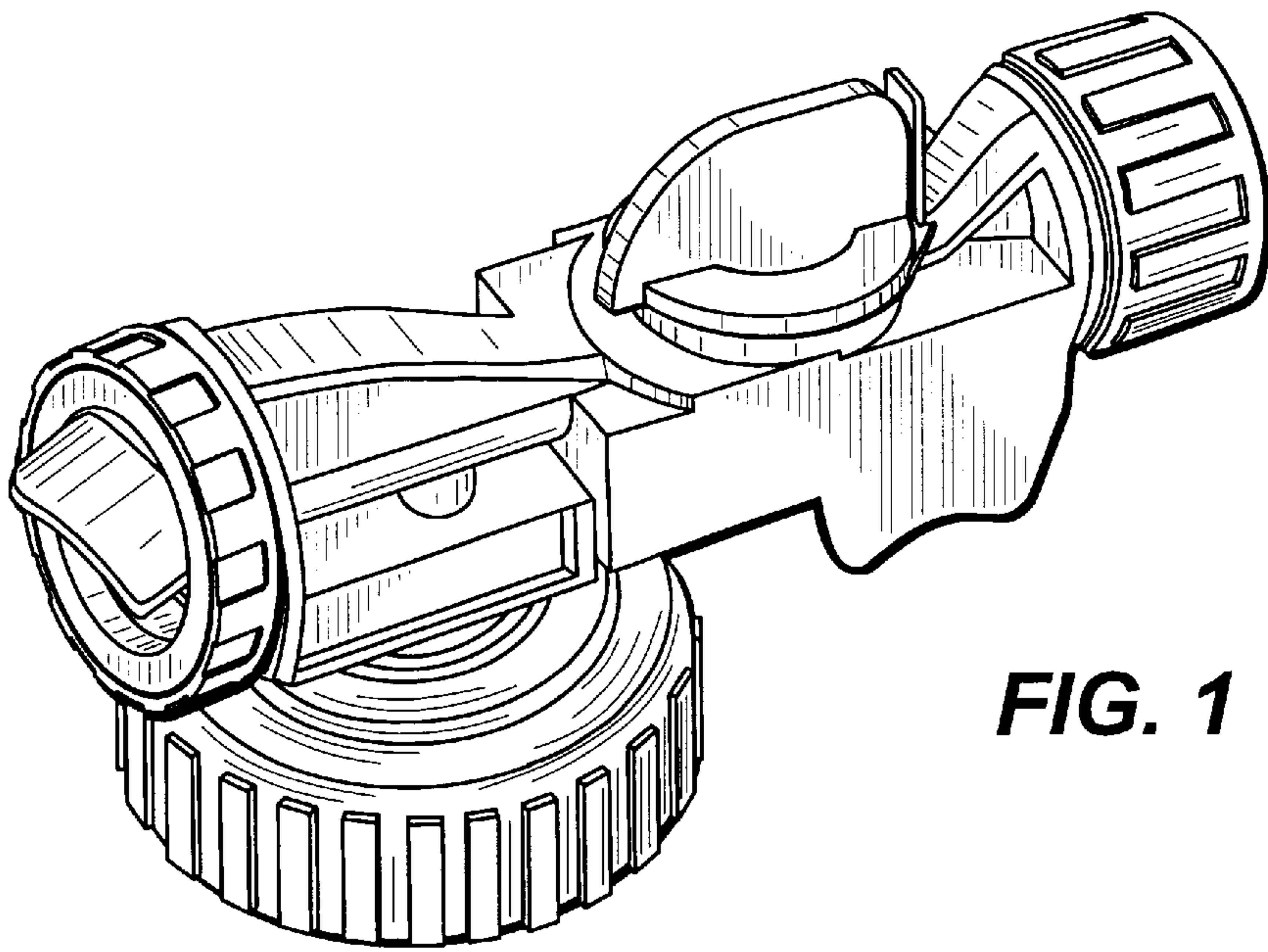


FIG. 1

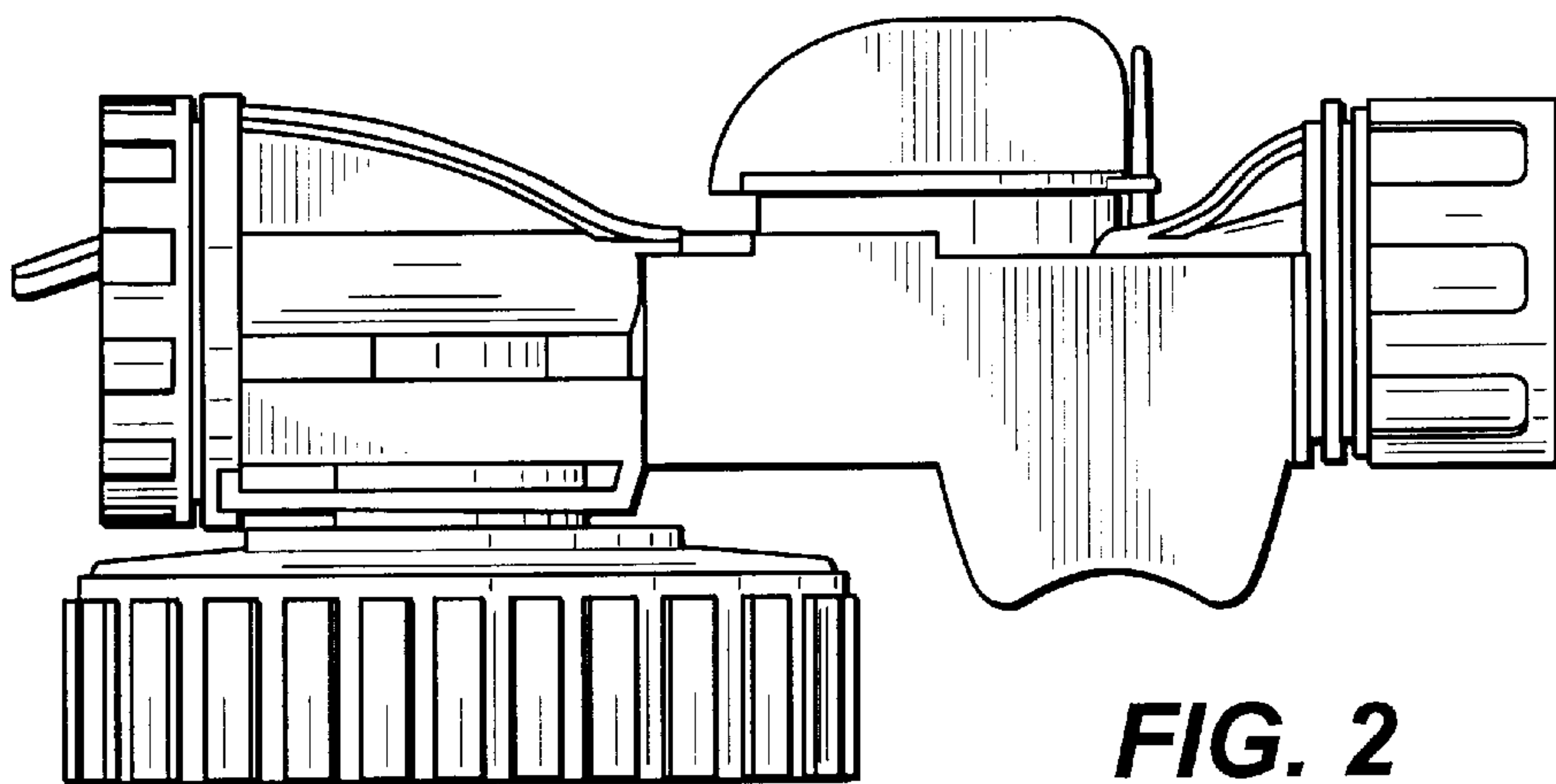


FIG. 2

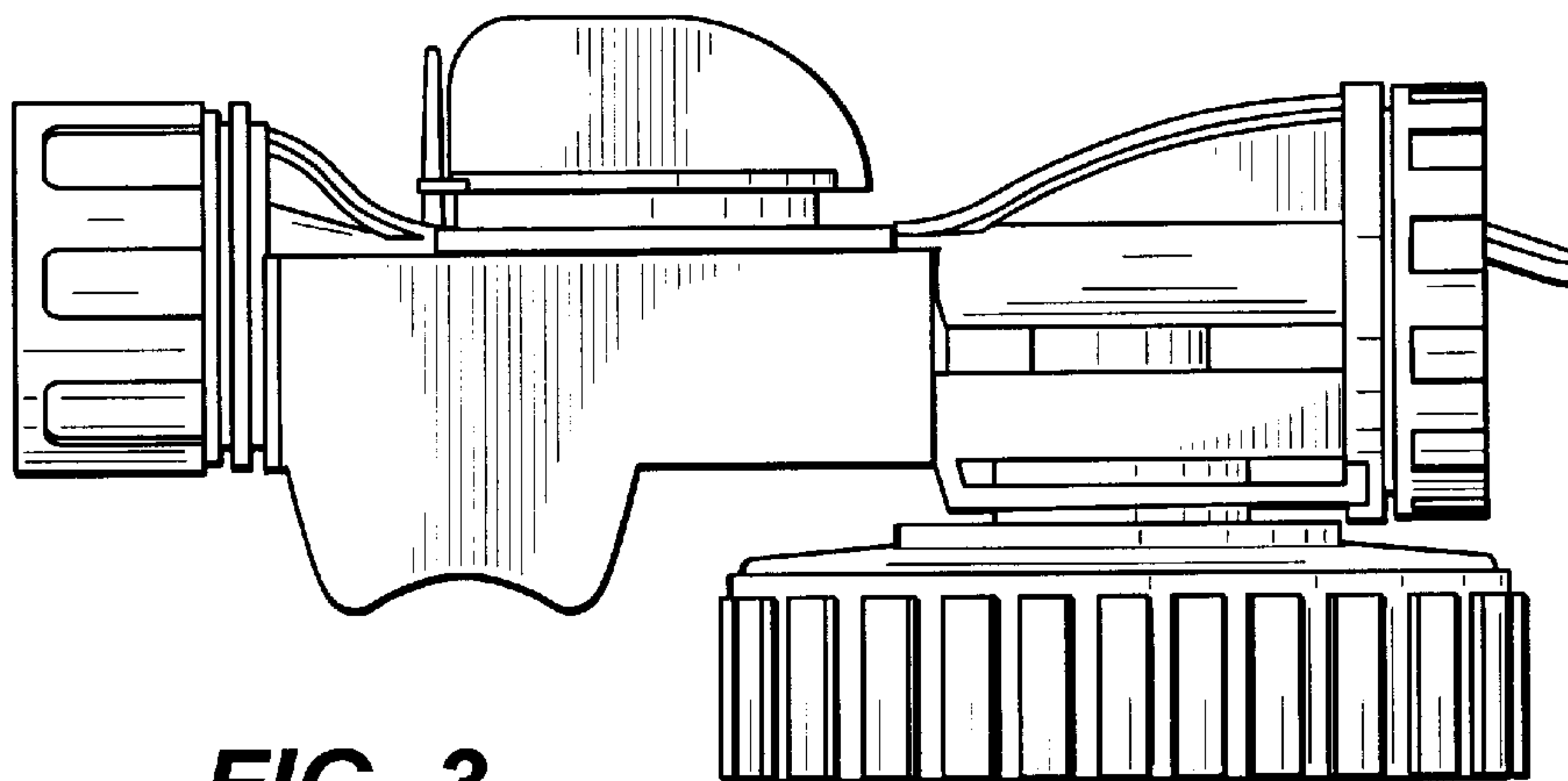


FIG. 3

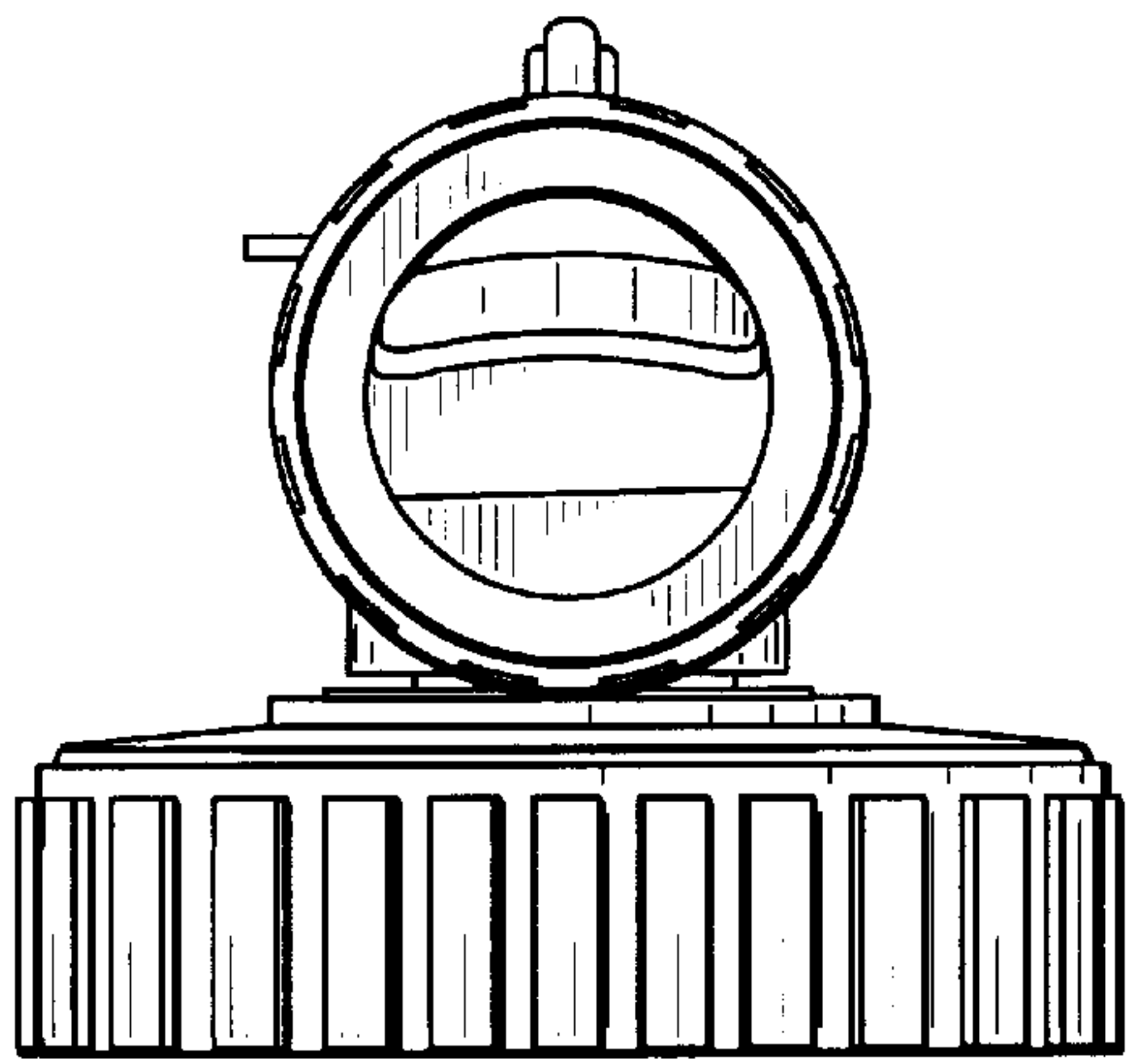


FIG. 4

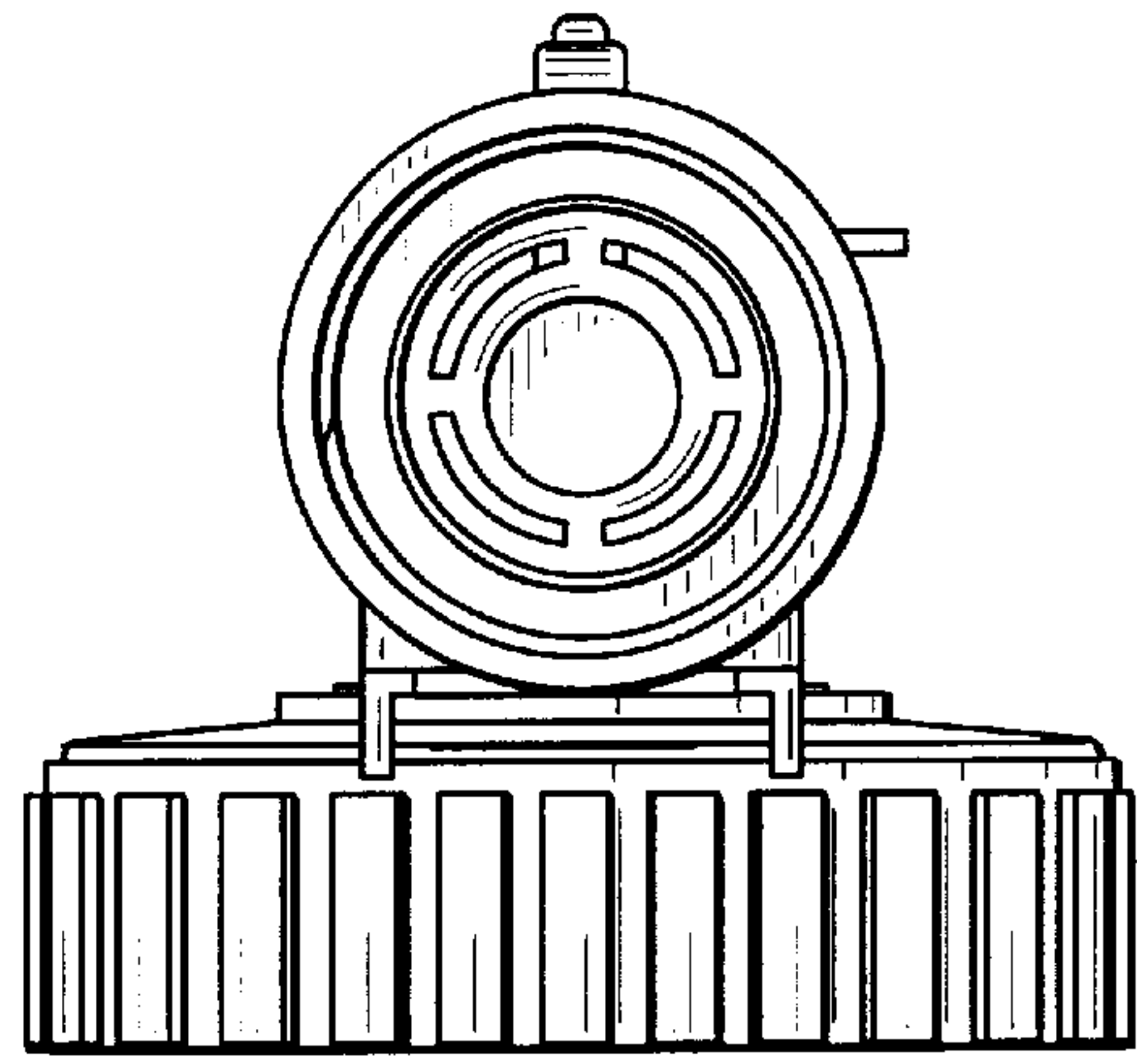


FIG. 5

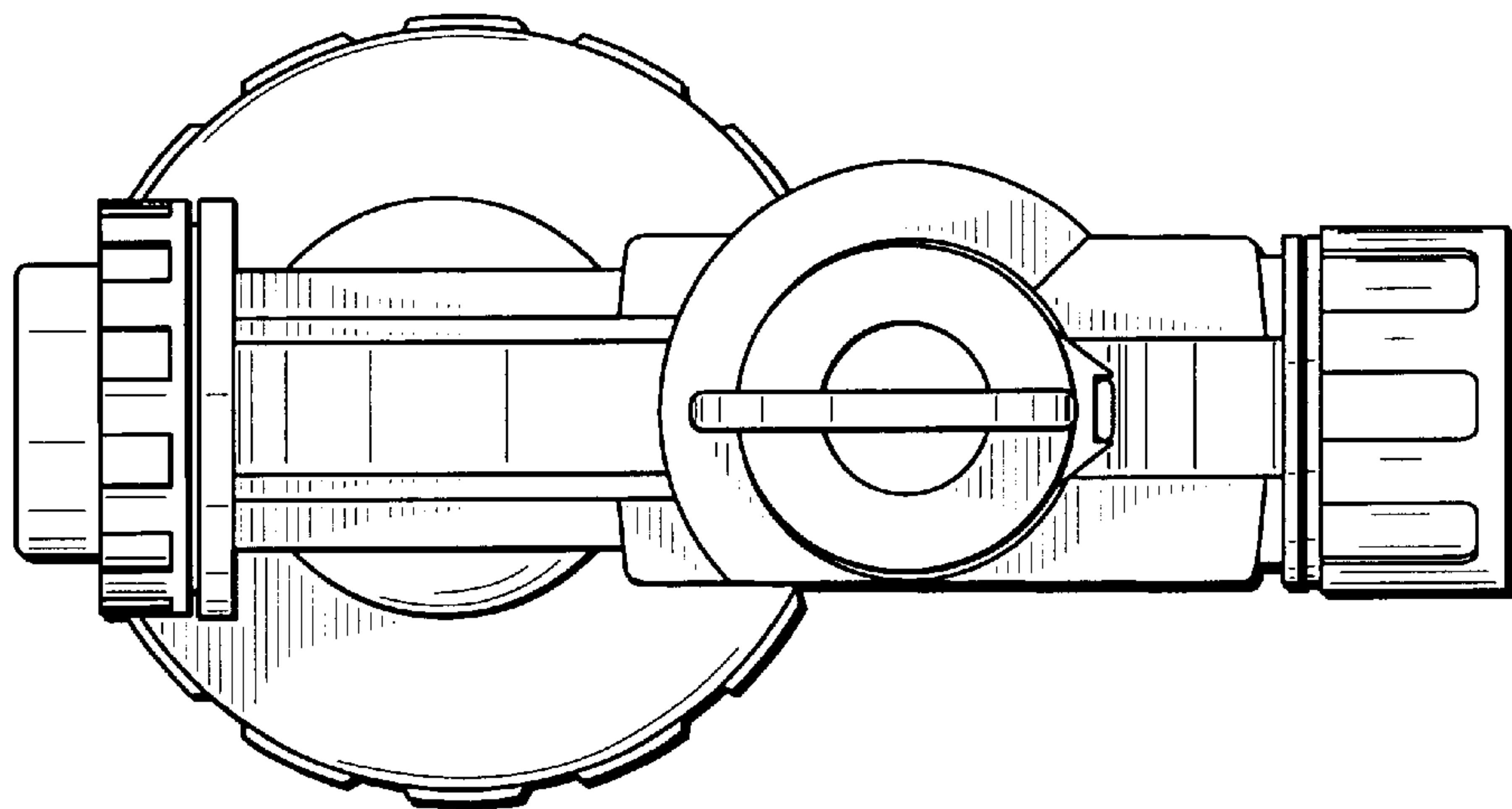


FIG. 6

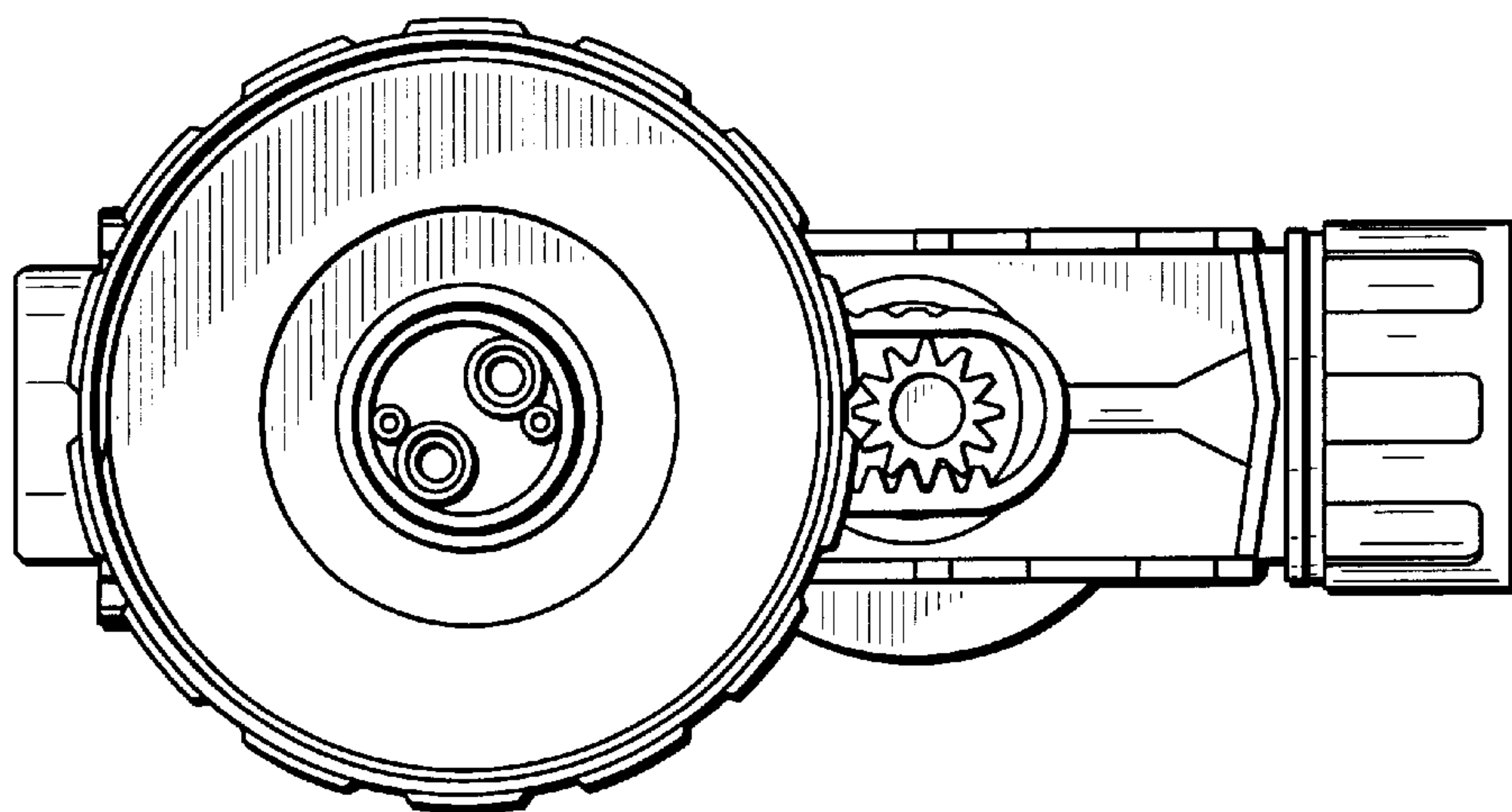


FIG. 7