



US00D431059S

United States Patent [19]

Webber et al.

[11] Patent Number: **Des. 431,059**

[45] Date of Patent: **** Sep. 19, 2000**

[54] EXERCISE WEIGHT PLATE

[75] Inventors: **Randall T. Webber; Bruce Hockridge**, both of San Diego; **Robson L. Splane**, Granada Hills; **Ben Ton**, Canoga Park, all of Calif.

[73] Assignee: **Fitness Warehouse**, San Diego, Calif.

[**] Term: **14 Years**

[21] Appl. No.: **29/097,666**

[22] Filed: **Dec. 11, 1998**

[51] LOC (7) Cl. **21-02**

[52] U.S. Cl. **D21/680; D21/694**

[58] Field of Search D21/662, 675, D21/680, 694; 482/92, 98, 101, 106, 93, 94, 95, 96, 97

[56] References Cited

U.S. PATENT DOCUMENTS

D. 260,796	9/1981	Uyeda	D21/694
D. 306,332	2/1990	Mayfield	D21/681
D. 315,934	4/1991	Wilson et al.	D21/694
D. 348,495	7/1994	McCoy	D21/675
D. 359,326	6/1995	Deola	D21/675
D. 406,183	2/1999	Zovich .	
4,971,305	11/1990	Rennex .	

4,971,318	11/1990	Tracy .	
5,000,446	3/1991	Sarno	482/98
5,374,229	12/1994	Sencil	482/98
5,735,777	4/1998	Benoit et al. .	

OTHER PUBLICATIONS

1 pg. Advertisement for Ivanko Regular and Olympic Barbell Plates, 1979, Ivanko Barbell Company.

1 pg. Advertisement for Precision Alloy Stack System, Vectra Fitness, Inc., 1996.

Primary Examiner—Philip S. Hyder
Attorney, Agent, or Firm—Brown, Martin, Haller & McClain, LLP

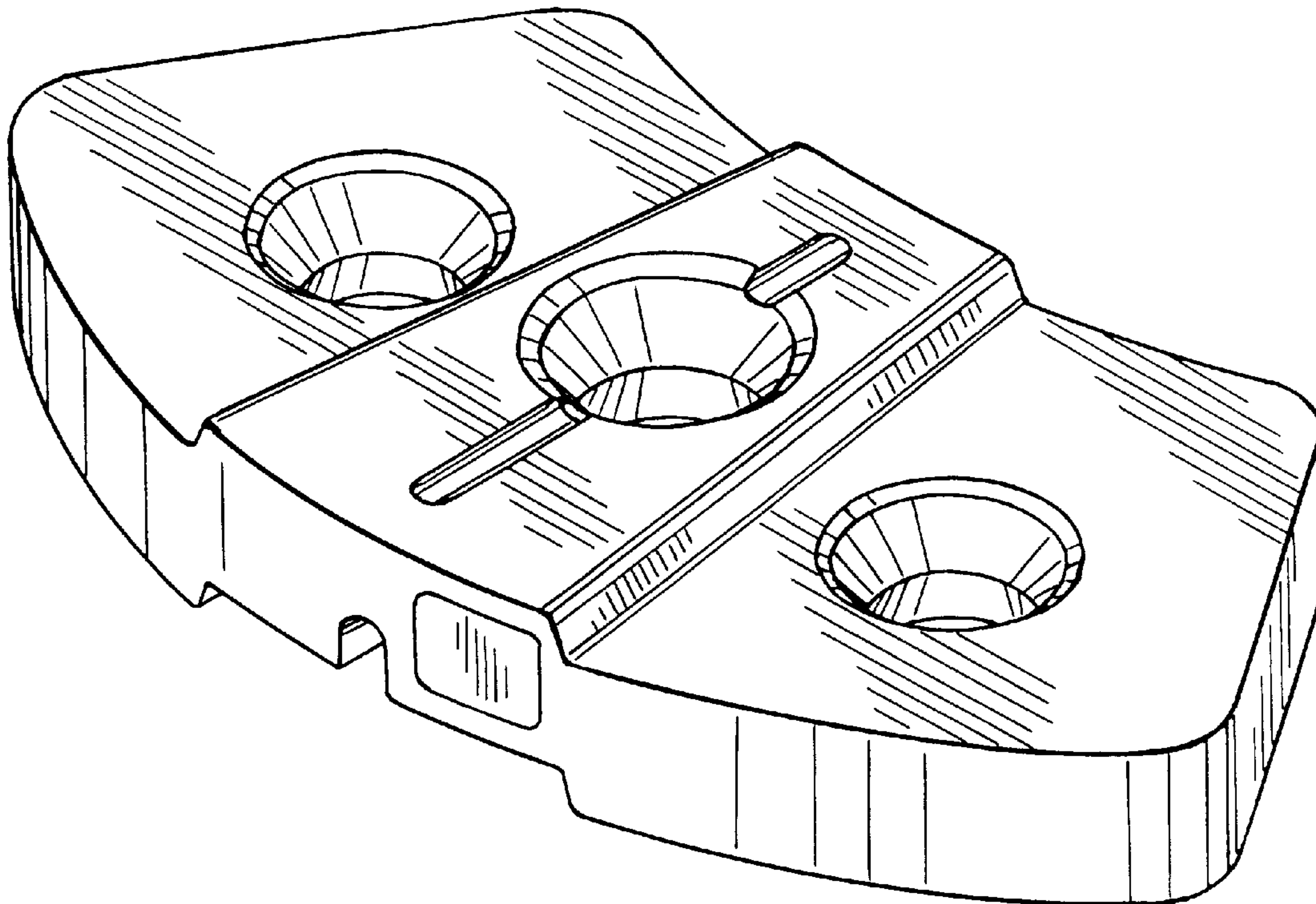
[57] CLAIM

The ornamental design for an exercise weight plate, as shown.

DESCRIPTION

FIG. 1 is a front top perspective view of an exercise weight plate, showing our new design;
FIG. 2 is a rear bottom perspective view thereof;
FIG. 3 is a bottom plan view thereof;
FIG. 4 is a front elevational view thereof;
FIG. 5 is a rear elevational view thereof; and,
FIG. 6 is a side elevational view thereof.

1 Claim, 2 Drawing Sheets



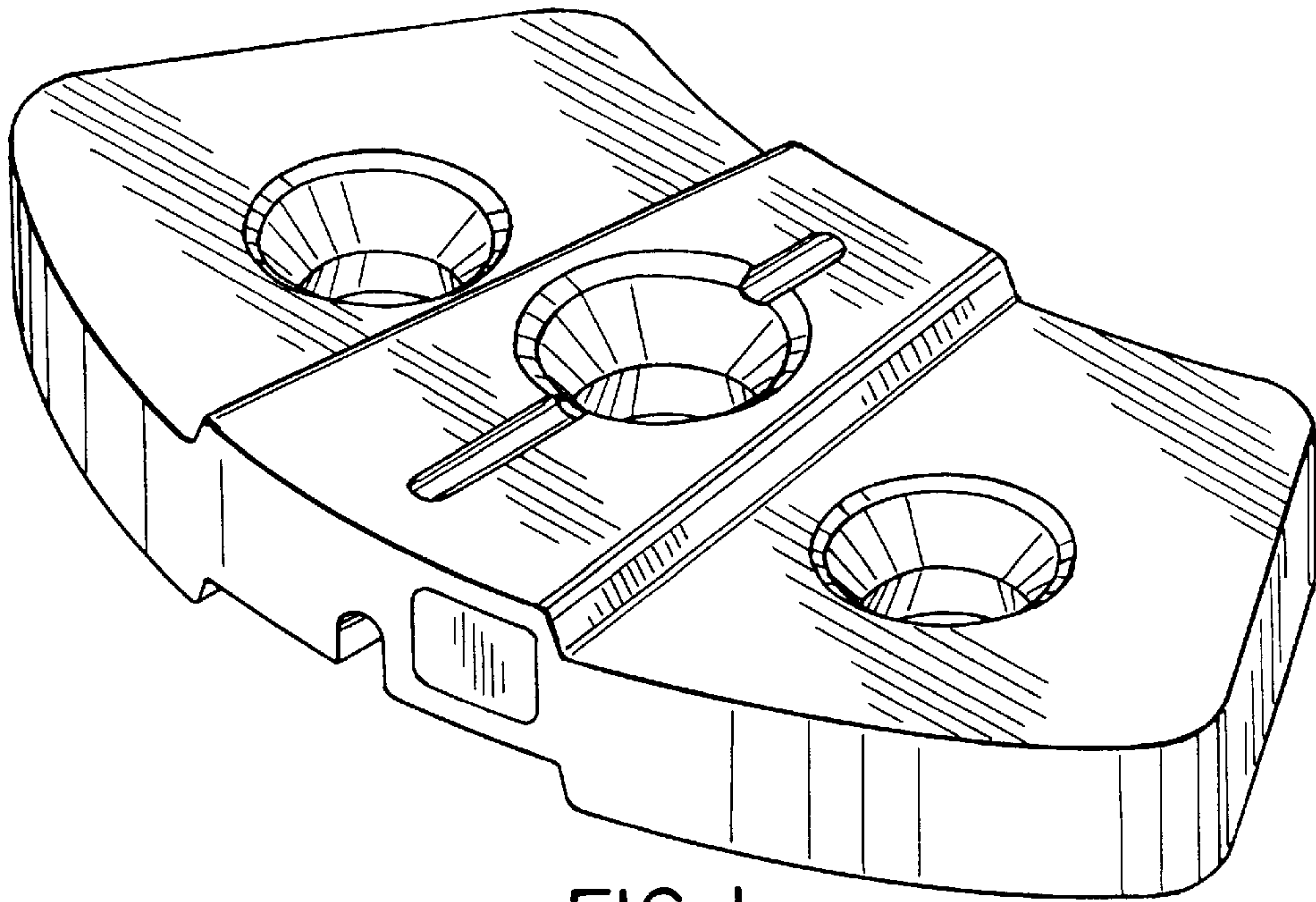


FIG. 1

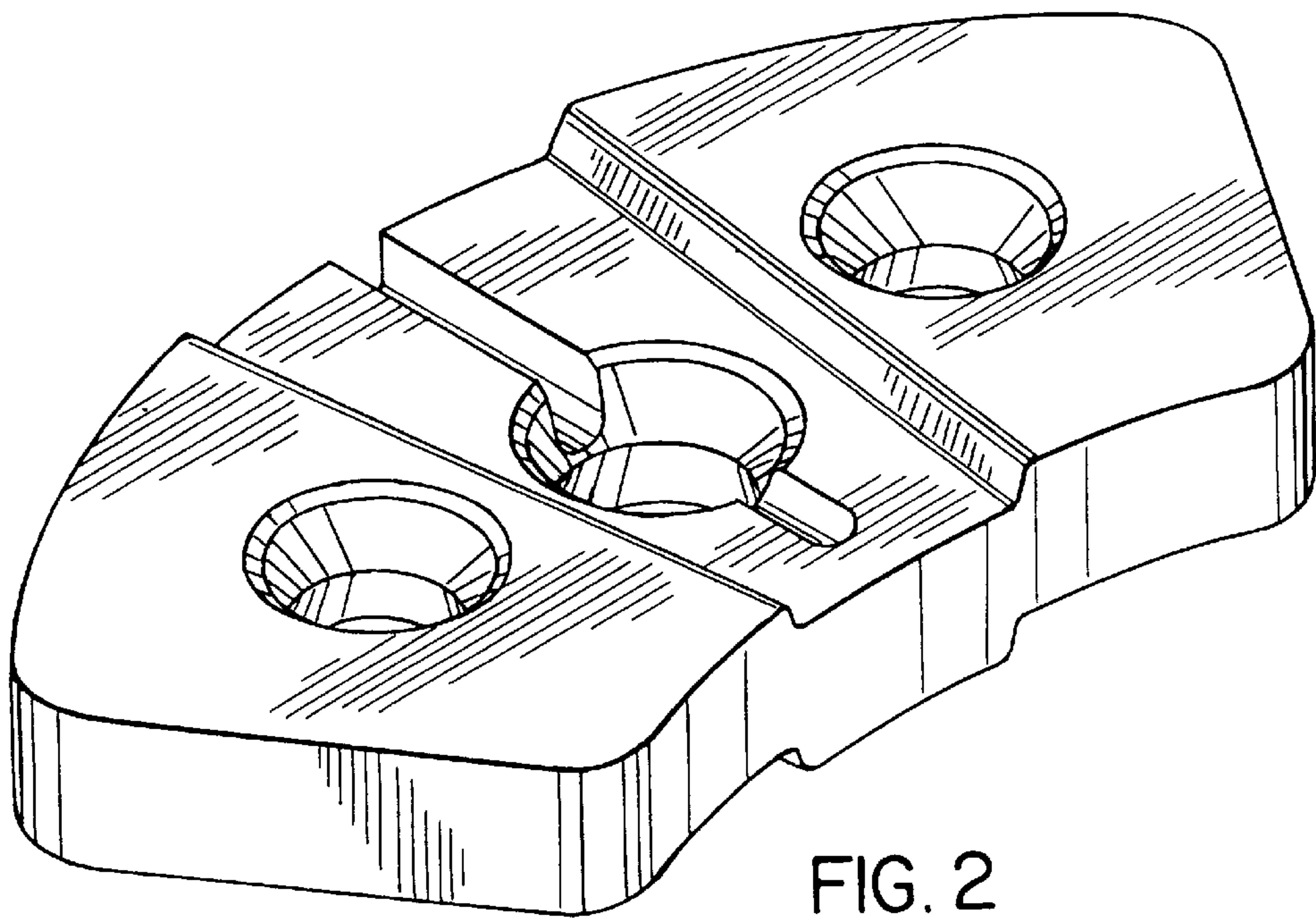


FIG. 2

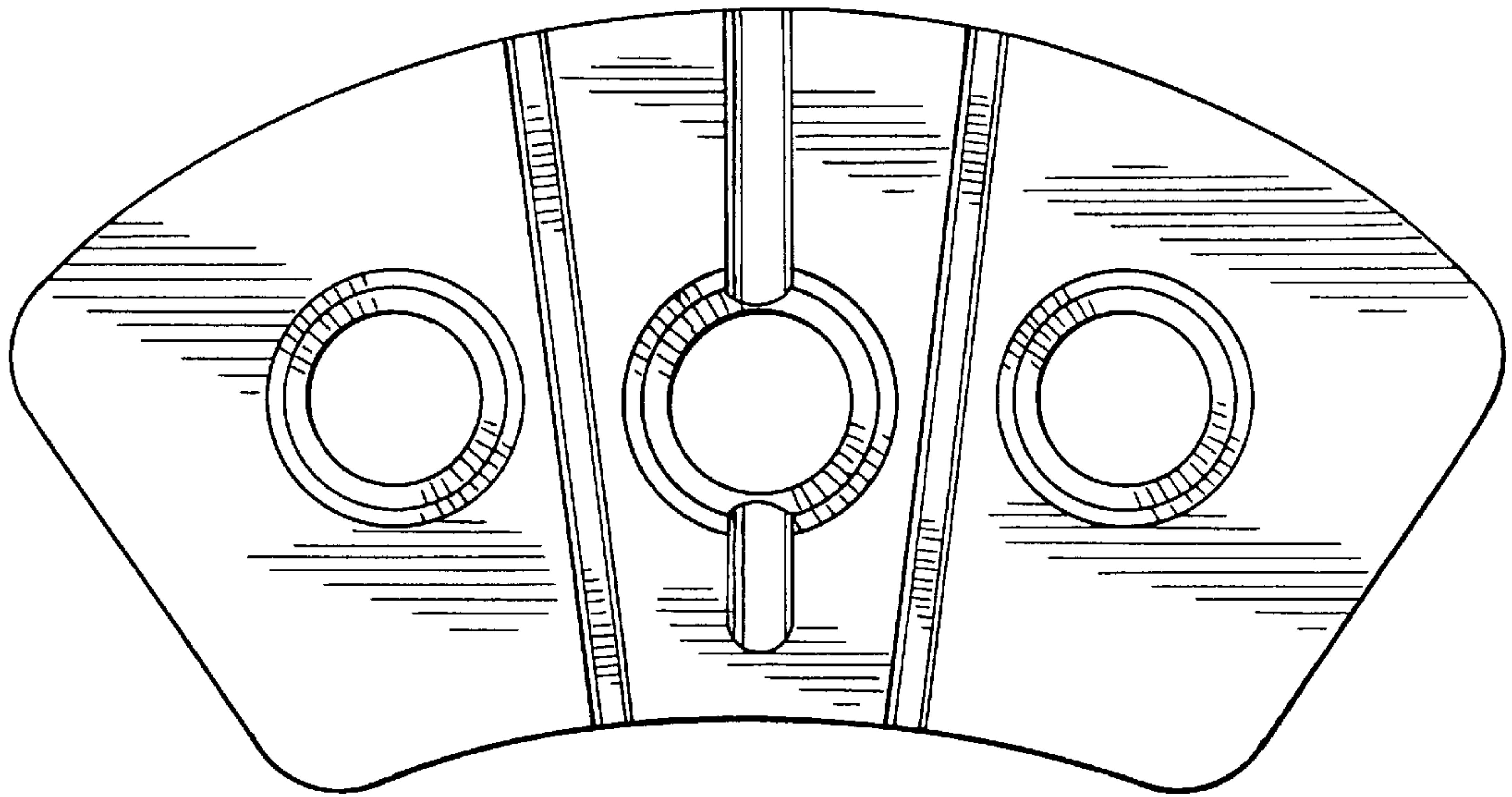


FIG. 3

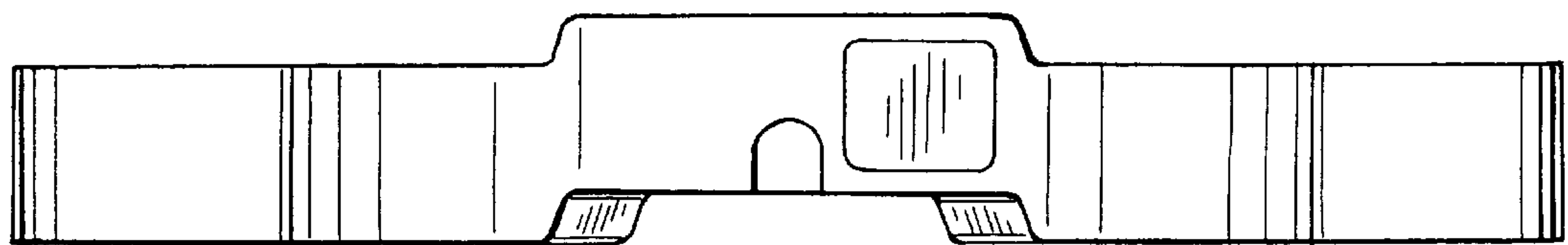


FIG. 4

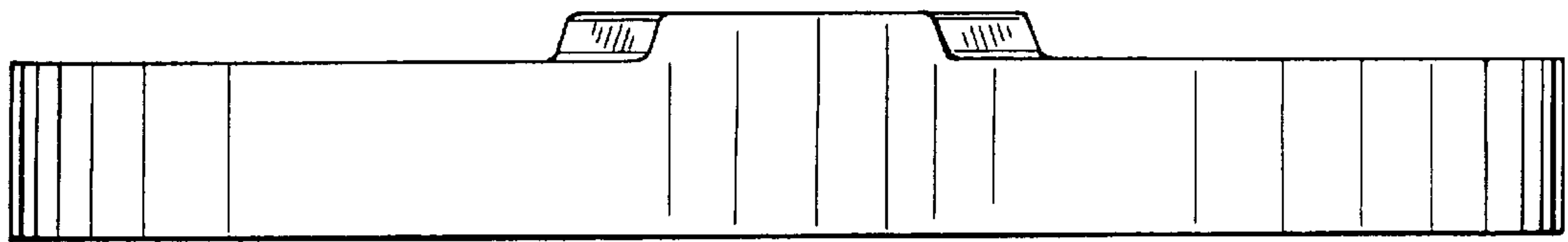


FIG. 5

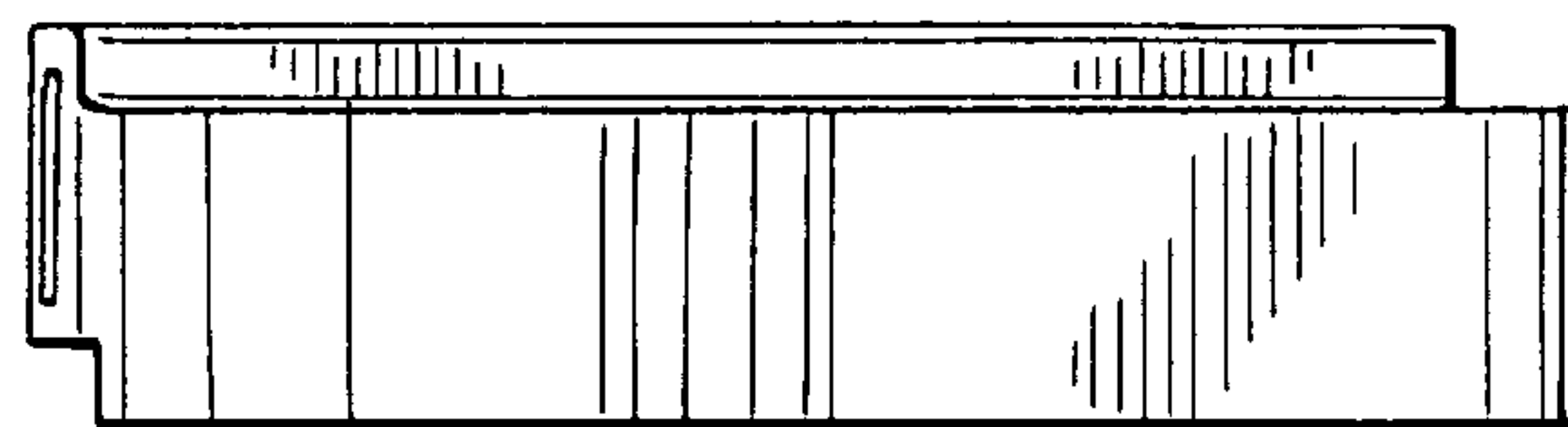


FIG. 6