



US00D431054S

United States Patent [19] Cheng

[11] Patent Number: Des. 431,054

[45] Date of Patent: ** Sep. 19, 2000

[54] BABY TRICYCLE

[76] Inventor: Wen-Tai Cheng, No. 27, Sheng-Li 1st St., Jen-Te Hsiang, Tainan Hsien, Taiwan

[**] Term: 14 Years

[21] Appl. No.: 29/116,205

[22] Filed: Dec. 29, 1999

[51] LOC (7) Cl. 21-01

[52] U.S. Cl. D21/428; D21/429; D12/108; D12/112

[58] Field of Search D21/419, 427, D21/428, 429, 435, 620, 618, 611; D12/108, 112, 113; 280/1.13, 1.21, 87.01, 87.021, 1.202, 1.204, 1.206-1.207; 446/470, 765

[56] References Cited

U.S. PATENT DOCUMENTS

D. 164,758 10/1951 Bader D21/429

| | | | | |
|------------|---------|---------------|-------|----------|
| D. 272,925 | 3/1984 | Jones | | D21/428 |
| D. 312,991 | 12/1990 | Lohrum et al. | | D12/108 |
| D. 347,809 | 6/1994 | Choi et al. | | D12/113 |
| D. 371,812 | 7/1996 | Veraguth | | D21/428 |
| D. 397,964 | 9/1998 | Bratton | | D12/112 |
| 4,497,500 | 2/1985 | Mercurio | | 280/1.13 |

Primary Examiner—Raphael Barkai
Attorney, Agent, or Firm—Jackson Walker L.L.P.

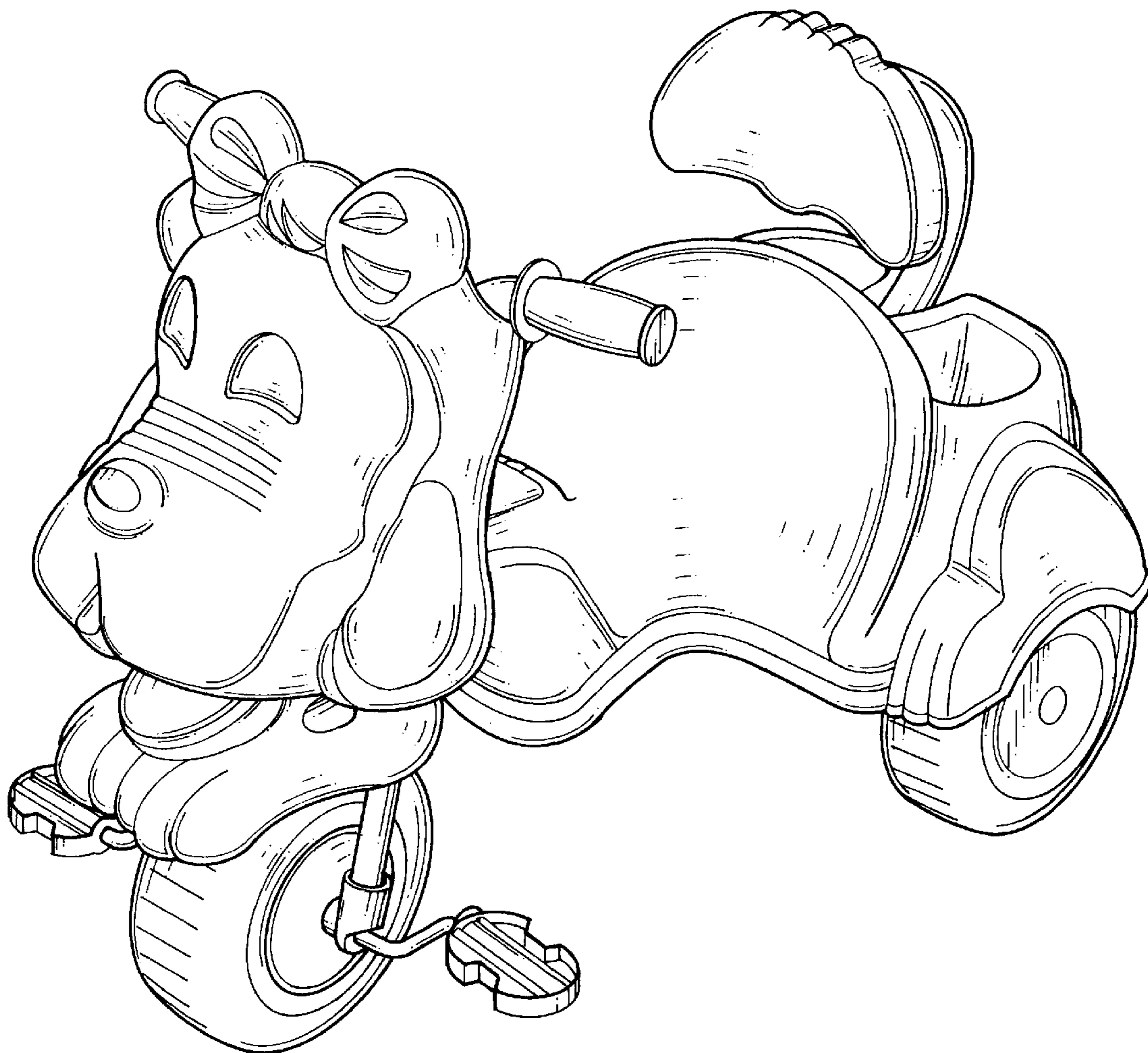
[57] CLAIM

The ornamental design for a baby tricycle, as shown.

DESCRIPTION

FIG. 1 is a front-right-top perspective view of a baby tricycle, showing my new design; FIG. 2 is a front elevational view thereof; FIG. 3 is a rear elevational view thereof; FIG. 4 is a left elevational view thereof; FIG. 5 is a right elevational view thereof; FIG. 6 is a top plan view thereof; and, FIG. 7 is a bottom plan view thereof.

1 Claim, 7 Drawing Sheets



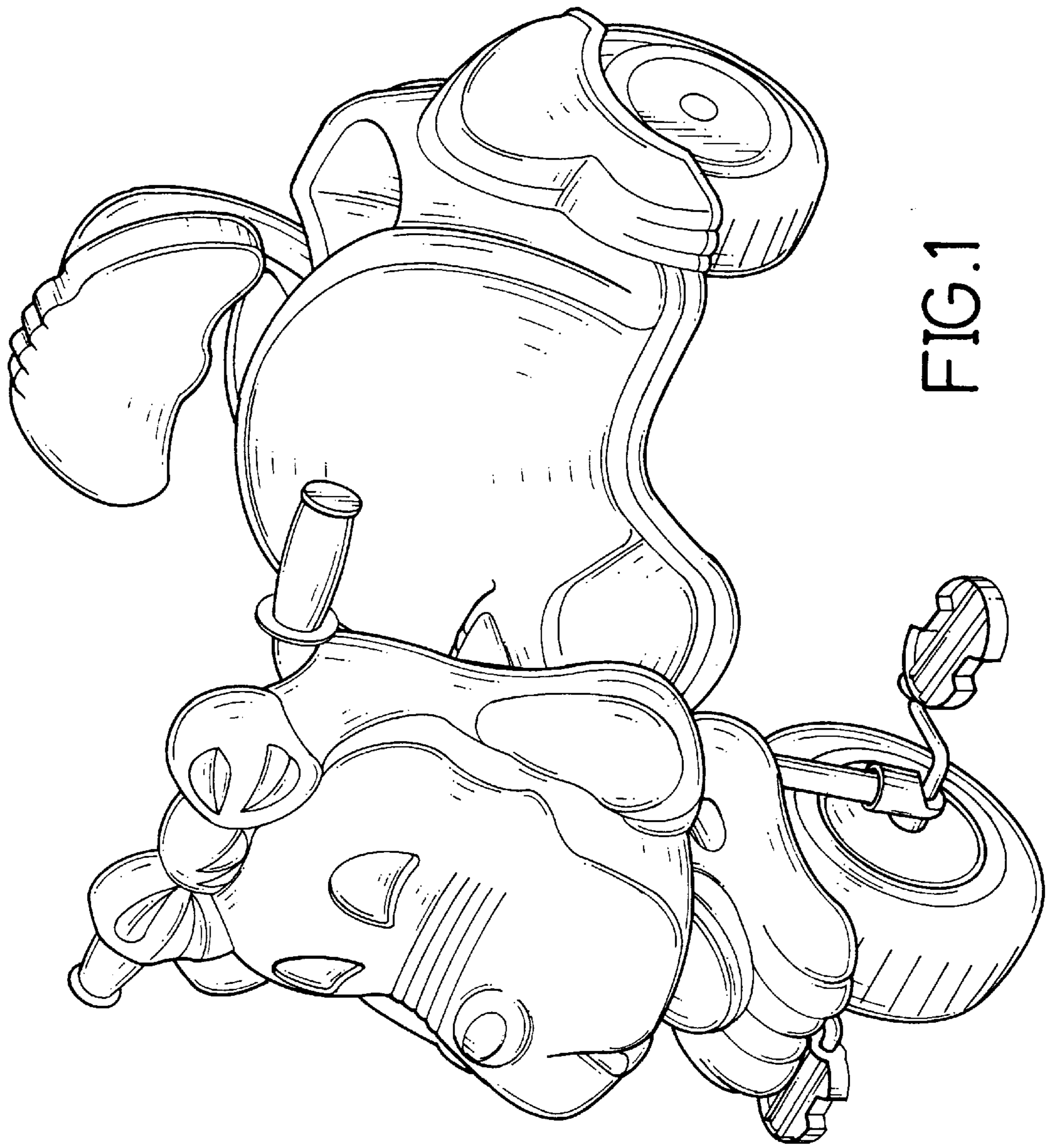


FIG. 1

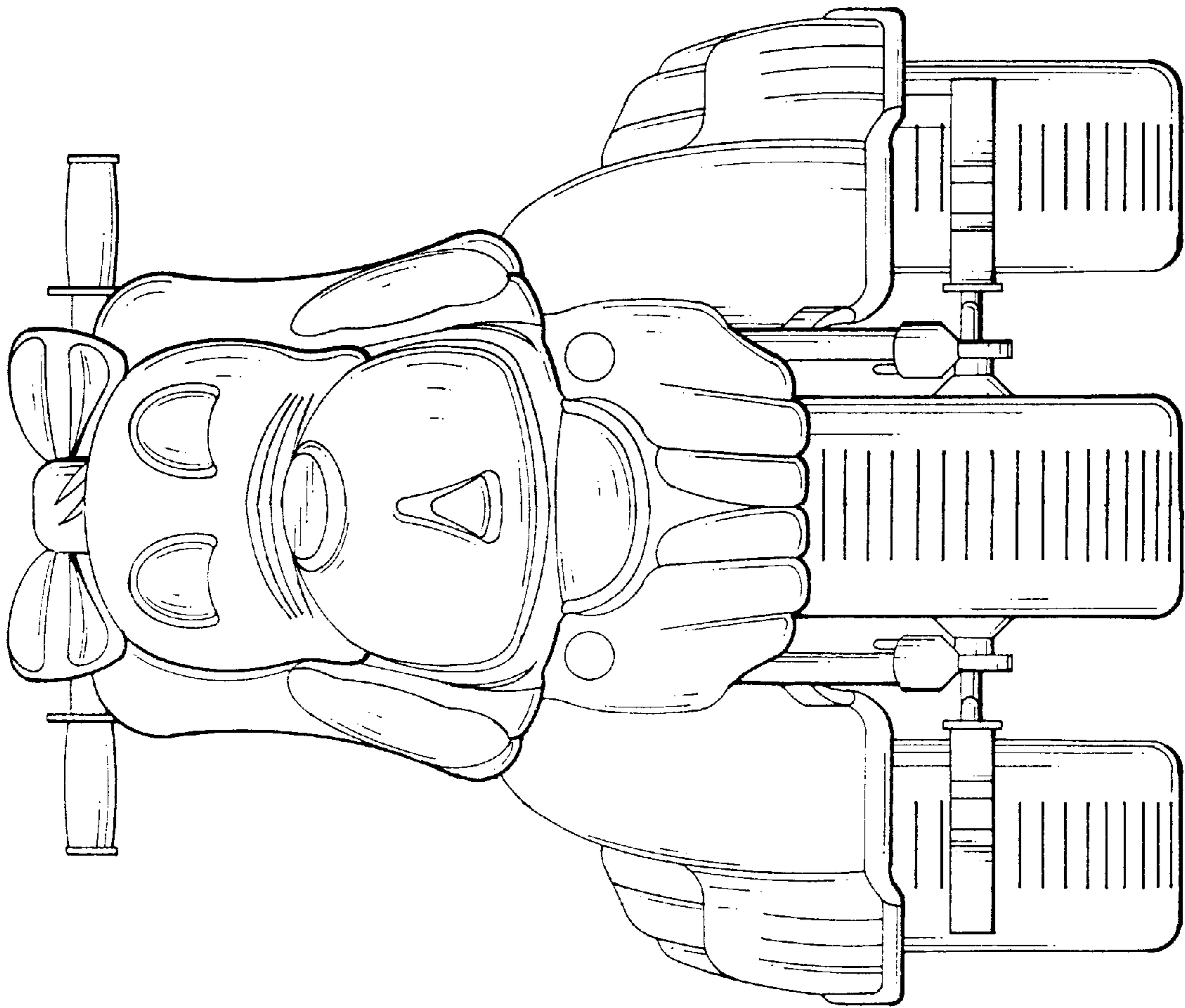


FIG. 2

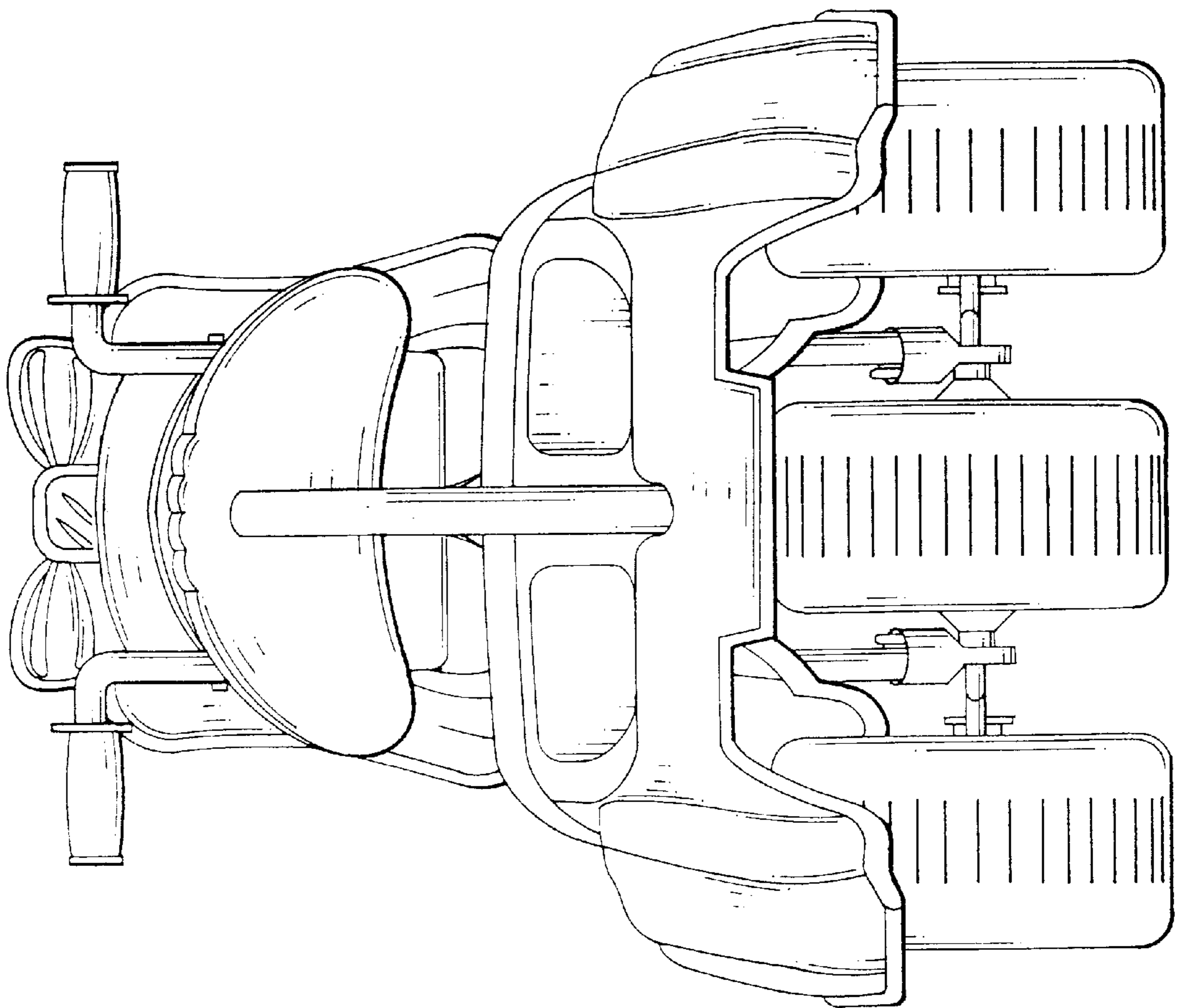


FIG. 3

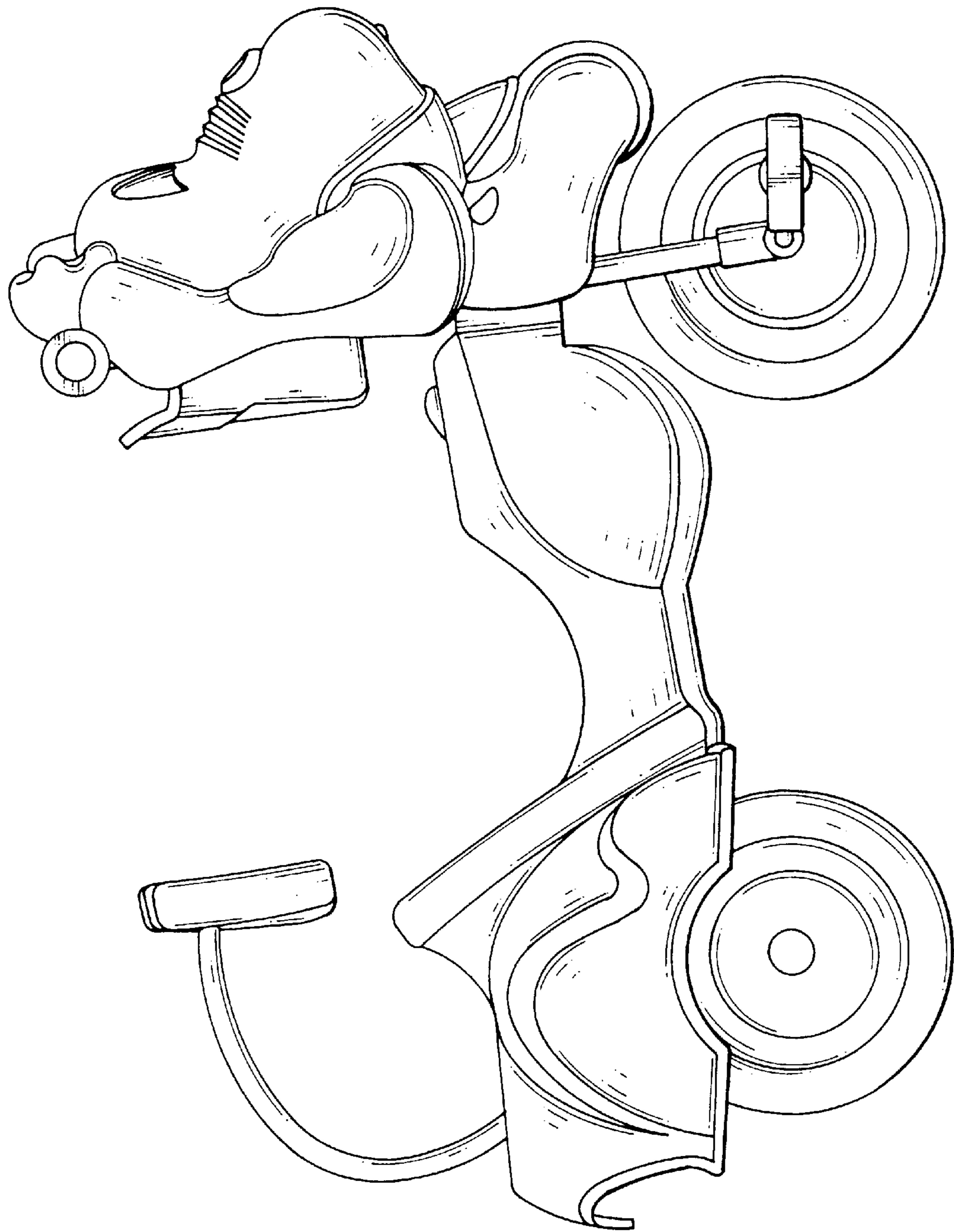


FIG.4

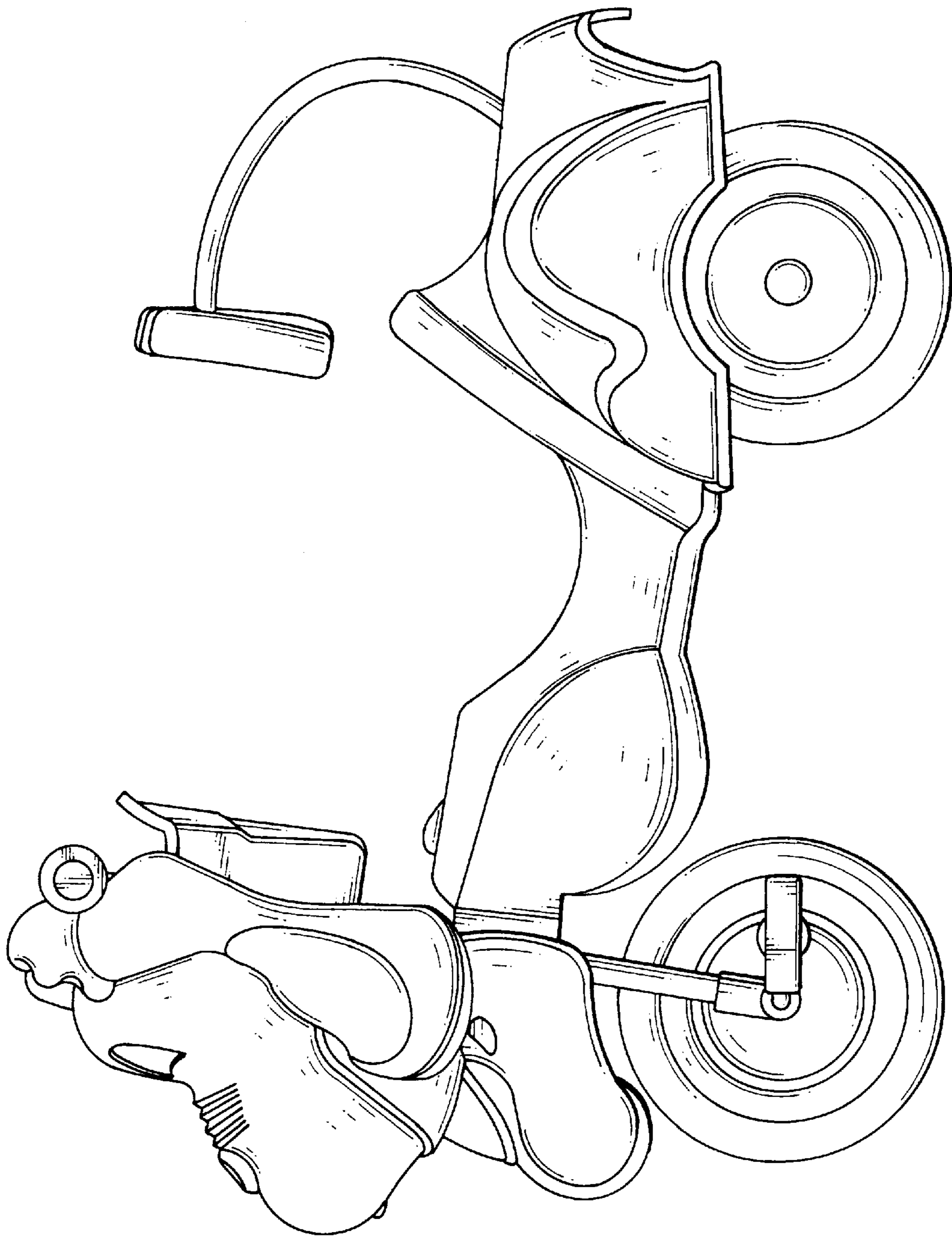


FIG. 5

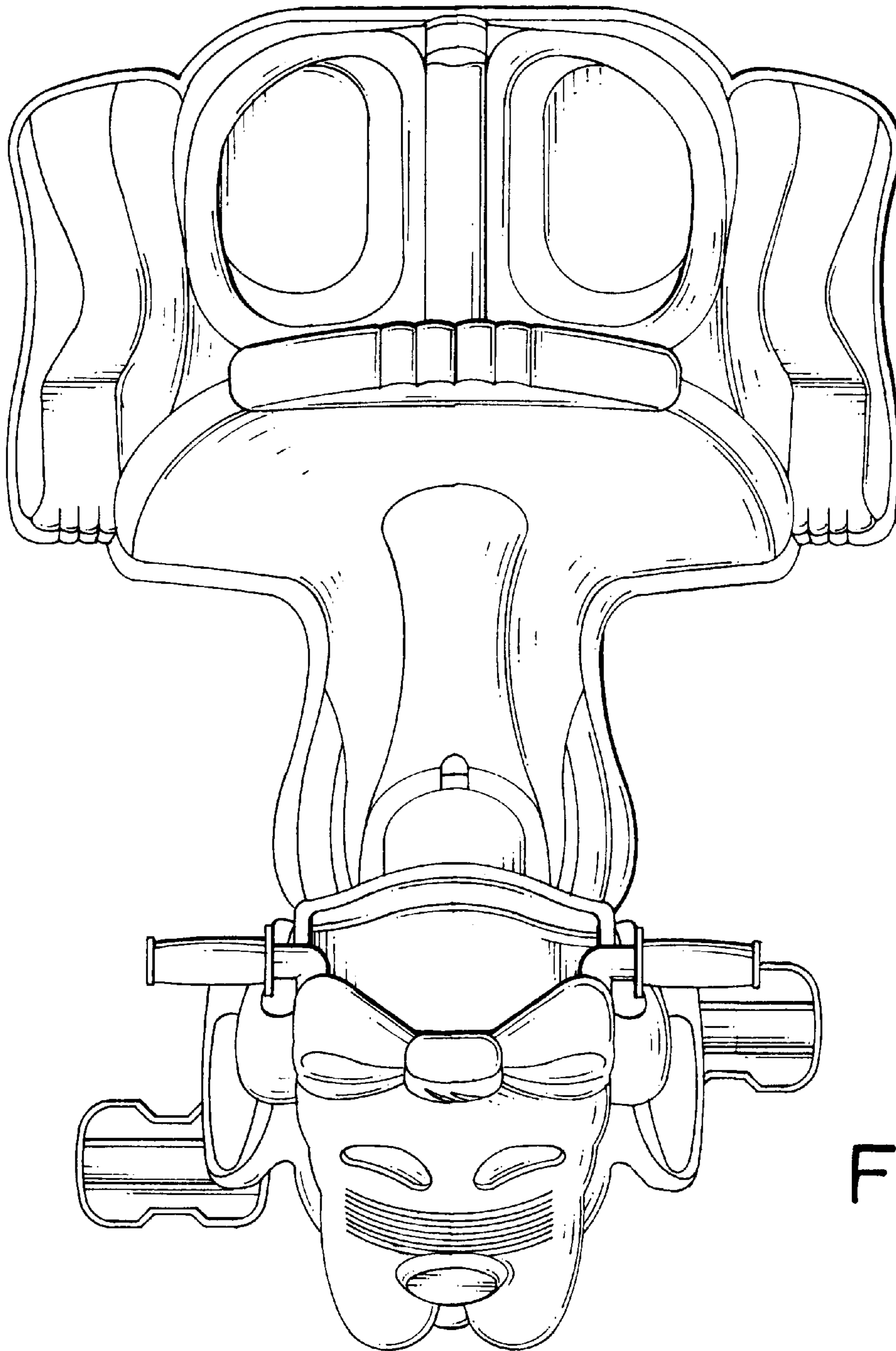


FIG. 6

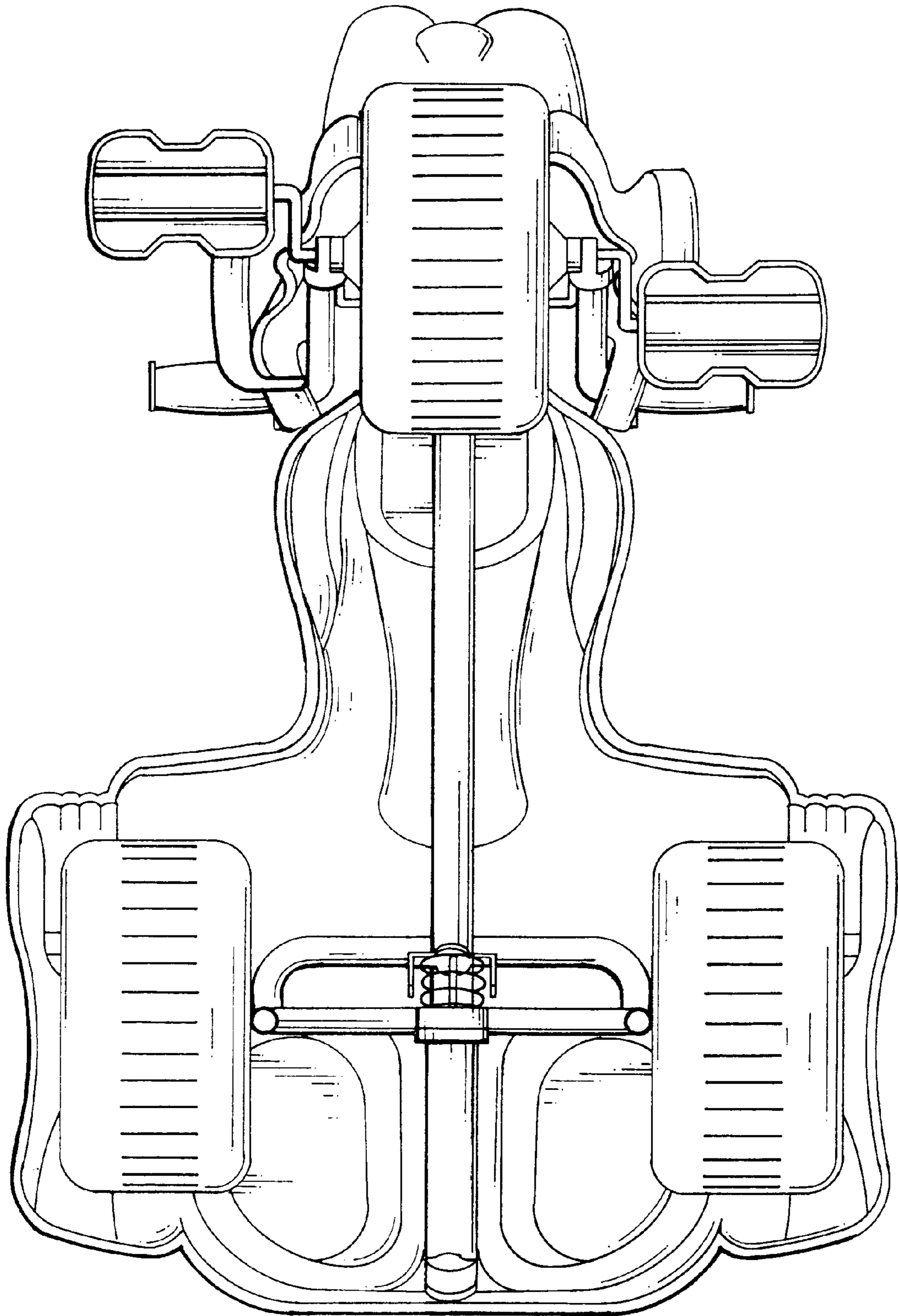


FIG. 7