



US00D431052S

# United States Patent [19]

Wilcox

[11] **Patent Number: Des. 431,052**

[45] **Date of Patent: \*\* Sep. 19, 2000**

[54] **GAMES ACCESSORY FOR HOLDING A HAND OF PLAYING CARDS OR TILES**

[76] Inventor: **Philip Wilcox**, 11 Gresley Road, Balby, Doncaster DN4 0LS, United Kingdom

[\*\*] Term: **14 Years**

[21] Appl. No.: **29/108,410**

[22] Filed: **Jul. 28, 1999**

### [30] Foreign Application Priority Data

Feb. 17, 1999 [GB] United Kingdom ..... 2081297

[51] **LOC (7) Cl.** ..... **21-01**

[52] **U.S. Cl.** ..... **D21/392; D21/396**

[58] **Field of Search** ..... D21/392-396; D19/90, 91; D20/44; 273/148 R, 150, 151, 148 A

### [56] References Cited

#### U.S. PATENT DOCUMENTS

D. 264,358 5/1982 Weltheroth ..... D21/392

D. 328,314 7/1992 MacEwan ..... D19/91

D. 347,451 5/1994 Kazakowitz ..... D21/392

D. 392,680 3/1998 Shaefer ..... D19/90

1,586,618 6/1926 Rosenh ..... 273/150

5,037,110 8/1991 Haskel ..... 273/157 A

*Primary Examiner*—Sandra L. Morris  
*Attorney, Agent, or Firm*—Trapani & Molldrem

### [57] CLAIM

The ornamental design for a games accessory for holding a hand of playing cards or tiles, as shown and described.

### DESCRIPTION

FIG. 1 is a rear perspective view of a games accessory for holding a hand of playing cards or tiles, showing my new design;

FIG. 2 is a front perspective view thereof;

FIG. 3 is a rear elevation thereof;

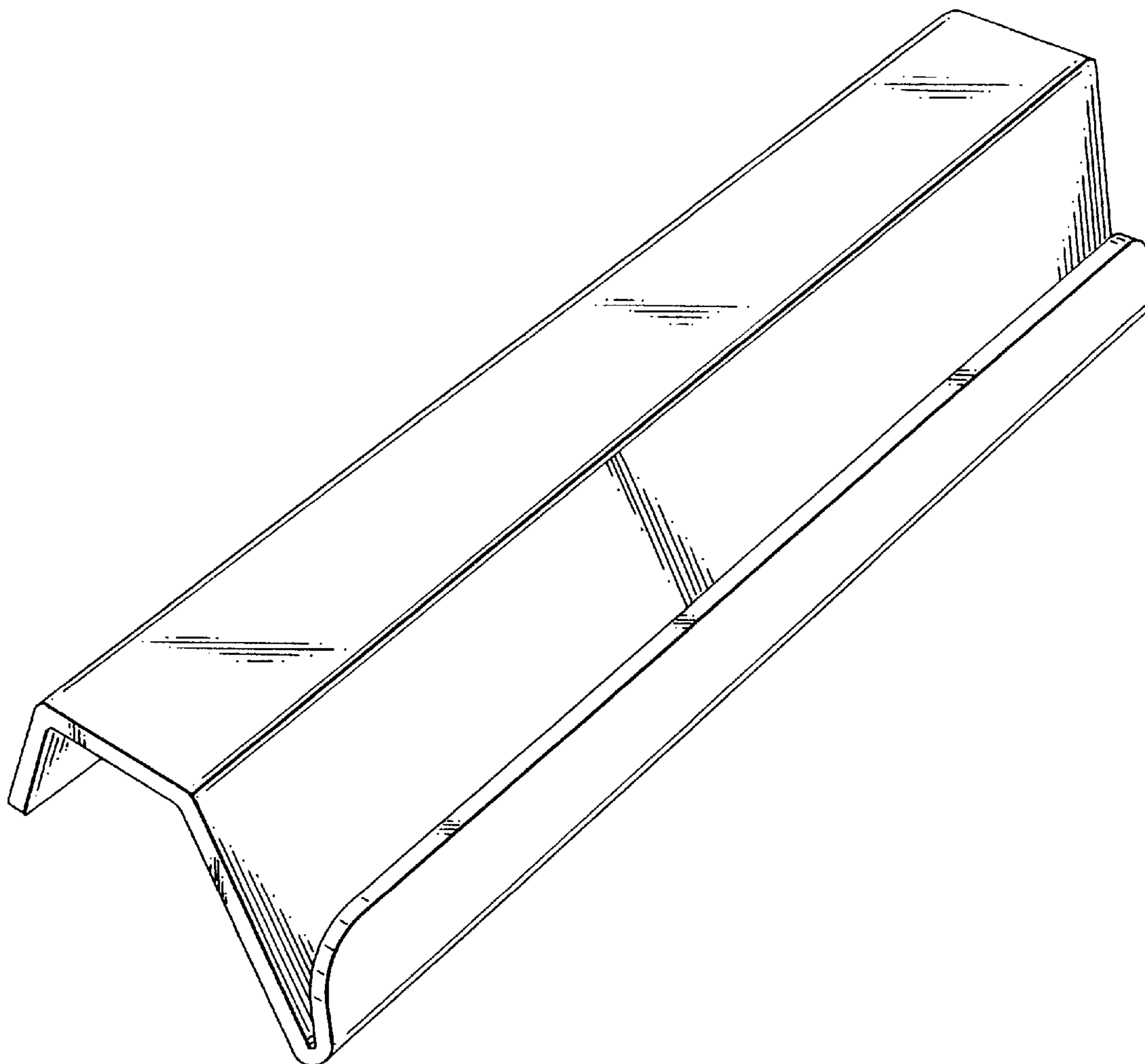
FIG. 4 is a front elevation thereof;

FIG. 5 is a left side elevation thereof, the right side elevation being a mirror image; and,

FIG. 6 is a top plan view thereof.

The underside of the games accessory does not form part of the design.

**1 Claim, 3 Drawing Sheets**



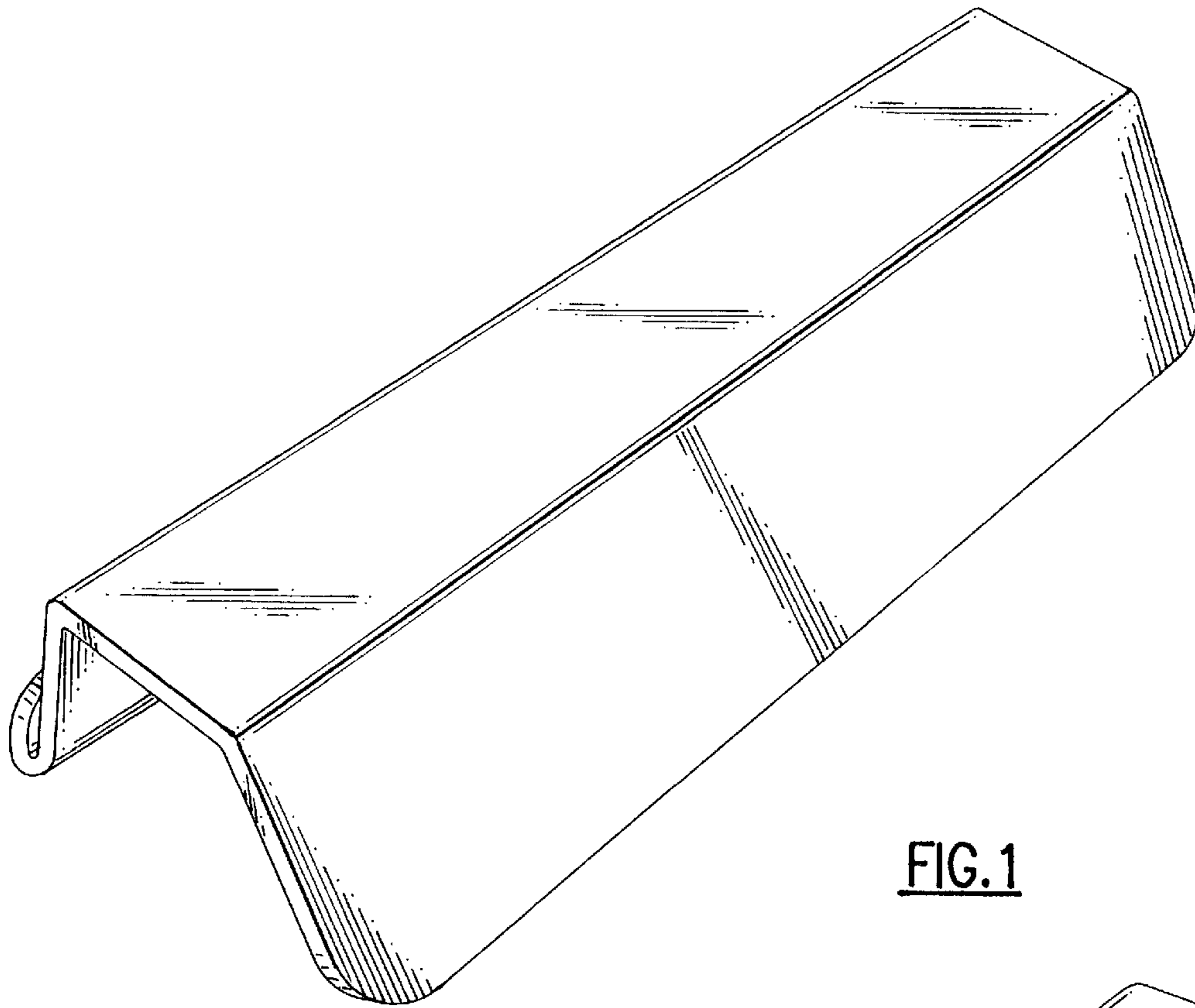


FIG. 1

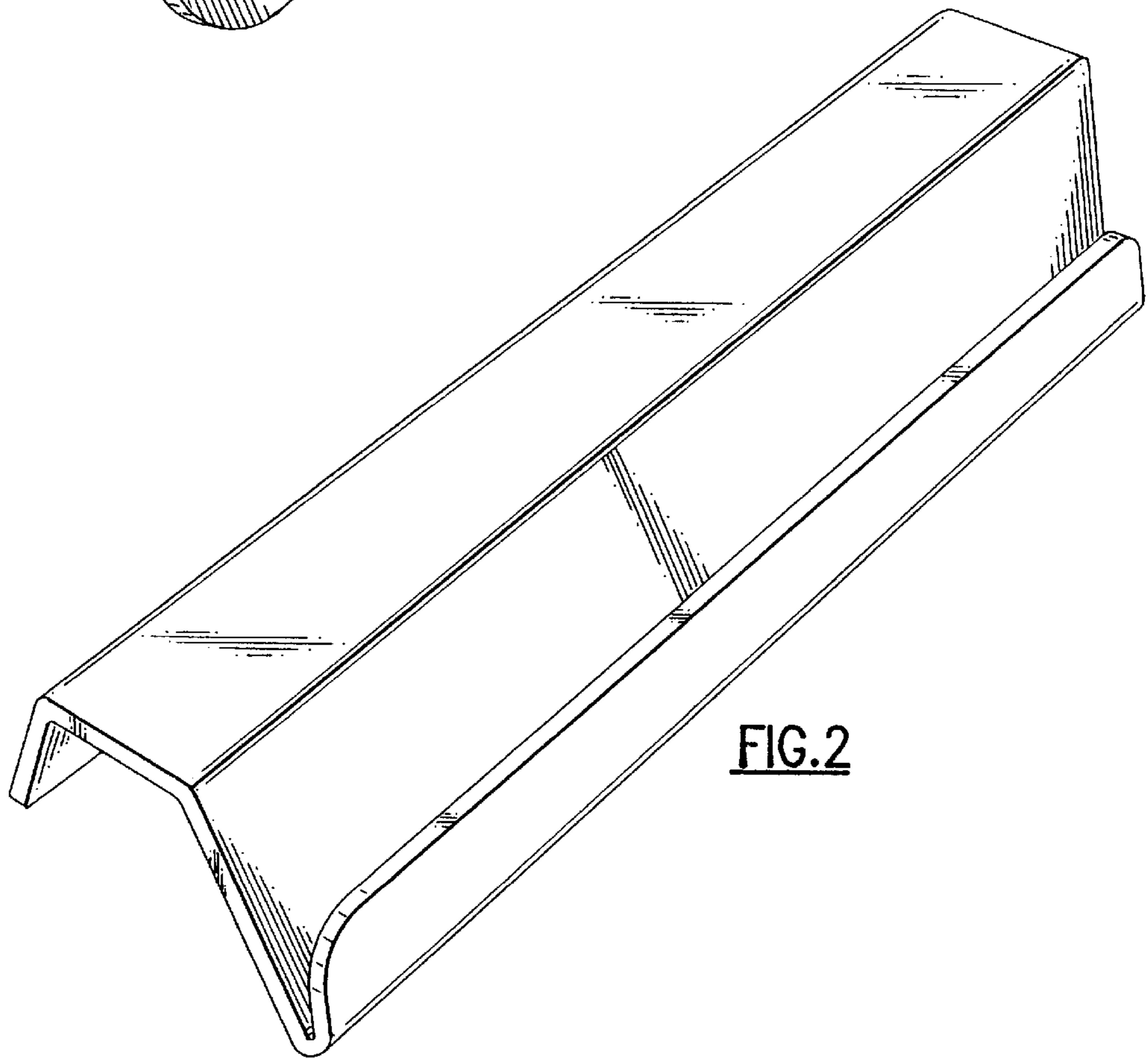


FIG. 2

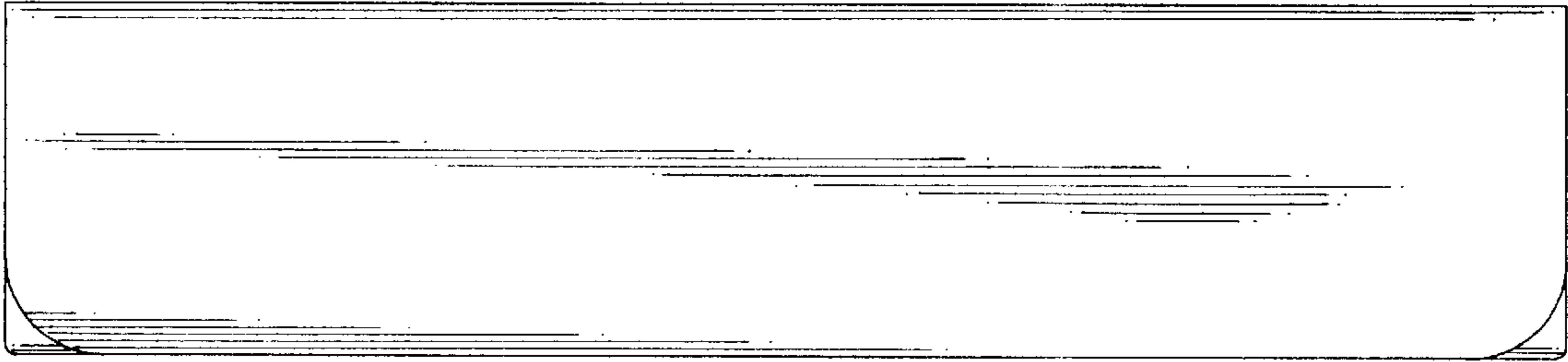


FIG. 3

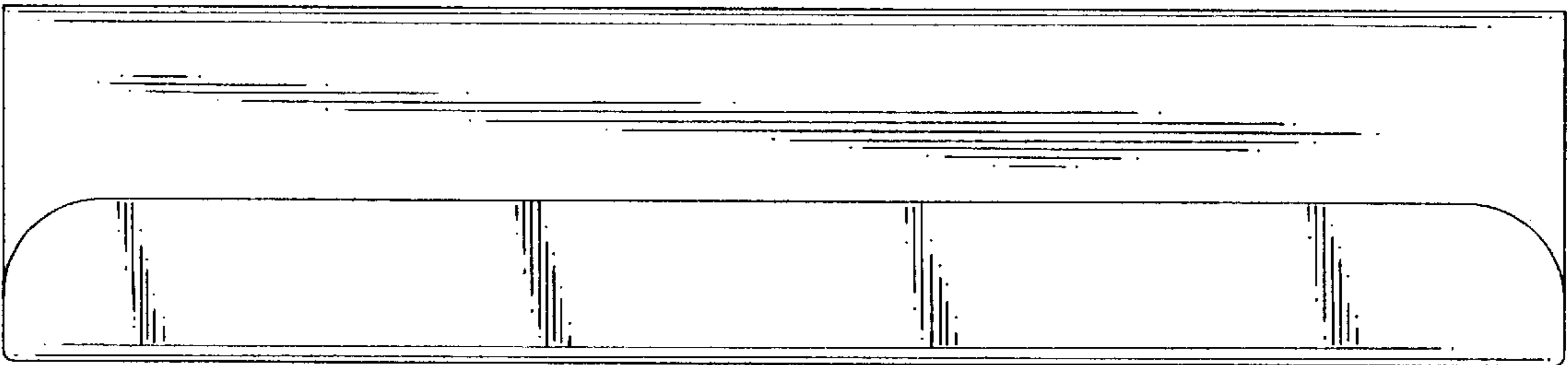


FIG. 4

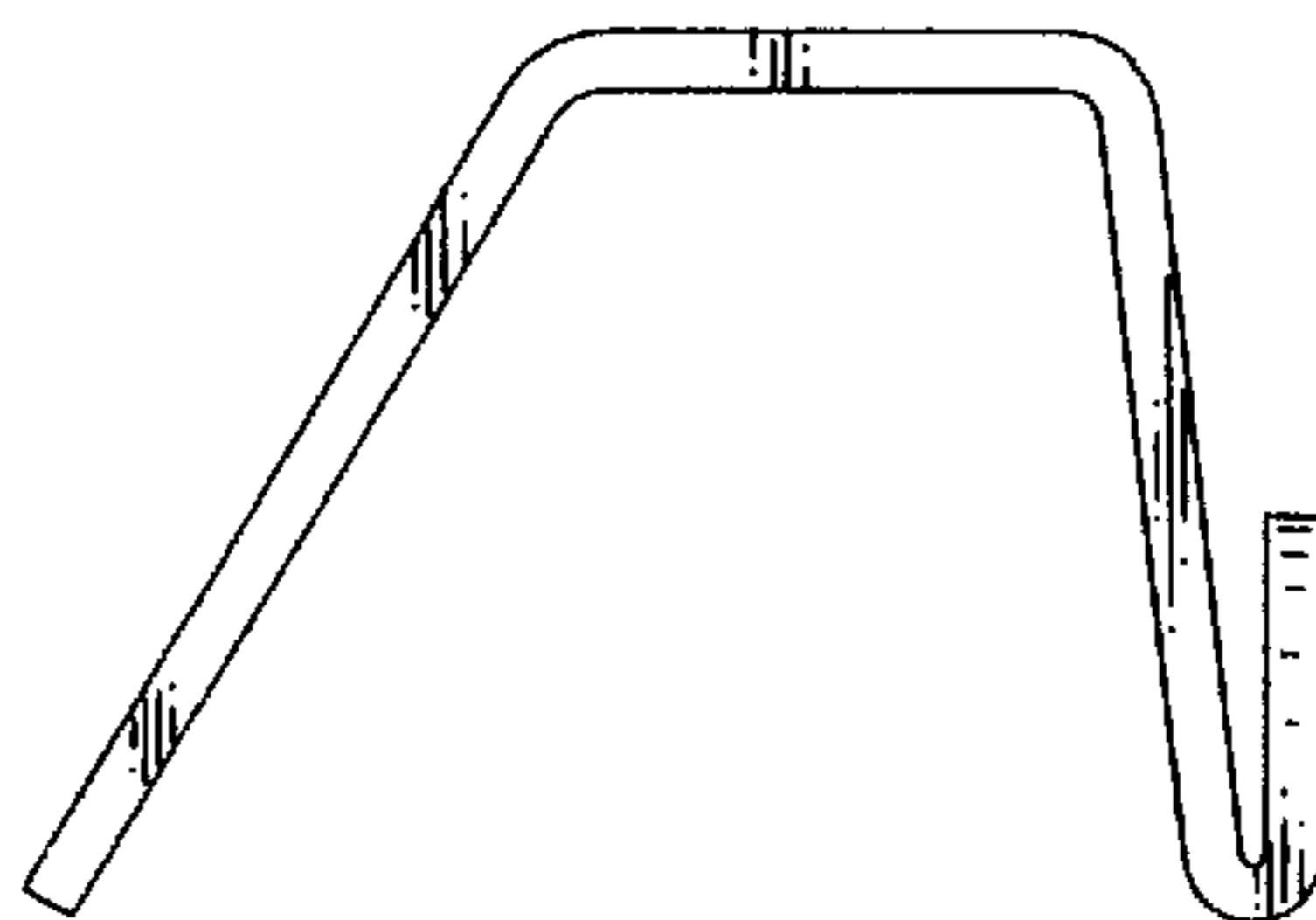


FIG. 5

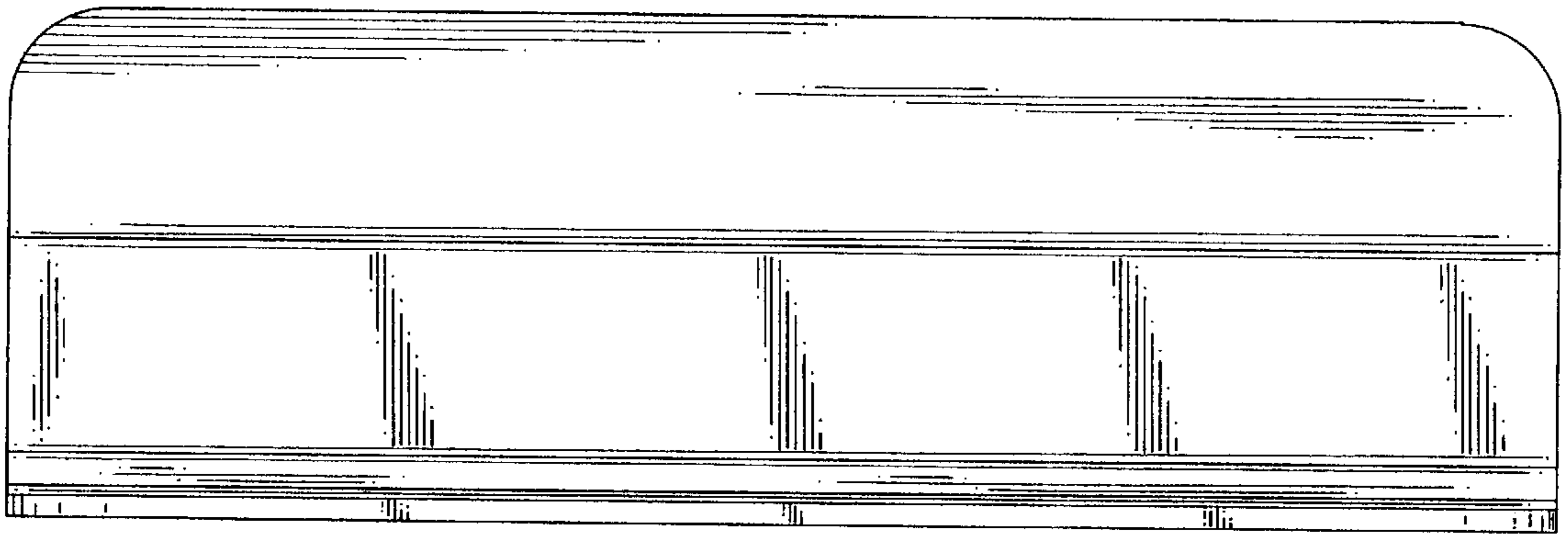


FIG.6