



US00D431047S

# United States Patent [19] Yokakowa

[11] Patent Number: **Des. 431,047**

[45] Date of Patent: **\*\* Sep. 19, 2000**

[54] **PRINTER**

[75] Inventor: **Koh Yokakowa**, Choufu, Japan

[73] Assignee: **Olympus Optical Co., Ltd.**, Tokyo, Japan

[\*\*] Term: **14 Years**

[21] Appl. No.: **29/092,910**

[22] Filed: **Aug. 31, 1998**

[30] **Foreign Application Priority Data**

Aug. 10, 1998 [JP] Japan ..... 10-22717

[51] **LOC (7) Cl.** ..... **14-02**

[52] **U.S. Cl.** ..... **D18/50**

[58] **Field of Search** ..... D18/50, 54-55,  
D18/36-37; 400/613, 613.1-613.4, 691-694,  
690.1, 690.4

[56] **References Cited**

**U.S. PATENT DOCUMENTS**

- D. 339,157 9/1993 Miyamoto et al. .... D18/50
- D. 355,926 2/1995 Mouri et al. .... D18/50
- D. 359,485 6/1995 Park ..... D18/50
- D. 391,929 3/1998 Inoue ..... D18/50

- D. 405,107 2/1999 Yokokawa ..... D18/50
- D. 409,234 5/1999 Inoue et al. .... D18/54
- D. 413,918 9/1999 Shimobayashi ..... D18/50

*Primary Examiner*—Cathy Anne MacCormac  
*Attorney, Agent, or Firm*—Laff, Whitesel & Saret, Ltd.; J. Warren Whitesel

[57] **CLAIM**

The ornamental design for printer, as shown and described.

**DESCRIPTION**

FIG. 1 is a top, front and right side of a printer showing my new design;  
FIG. 2 is a top, rear and left side view thereof;  
FIG. 3 is a top plan view thereof;  
FIG. 4 is a front elevational view thereof;  
FIG. 5 is a rear elevational view thereof;  
FIG. 6 is a bottom plan view thereof;  
FIG. 7 is a right side elevational view thereof;  
FIG. 8 is a left side elevational view thereof; and,  
FIG. 9 is another perspective view thereof showing the paper tray in an extended position.

The broken lines in FIG. 9 are for purposes of illustration only and form no part of the claimed design.

**1 Claim, 5 Drawing Sheets**

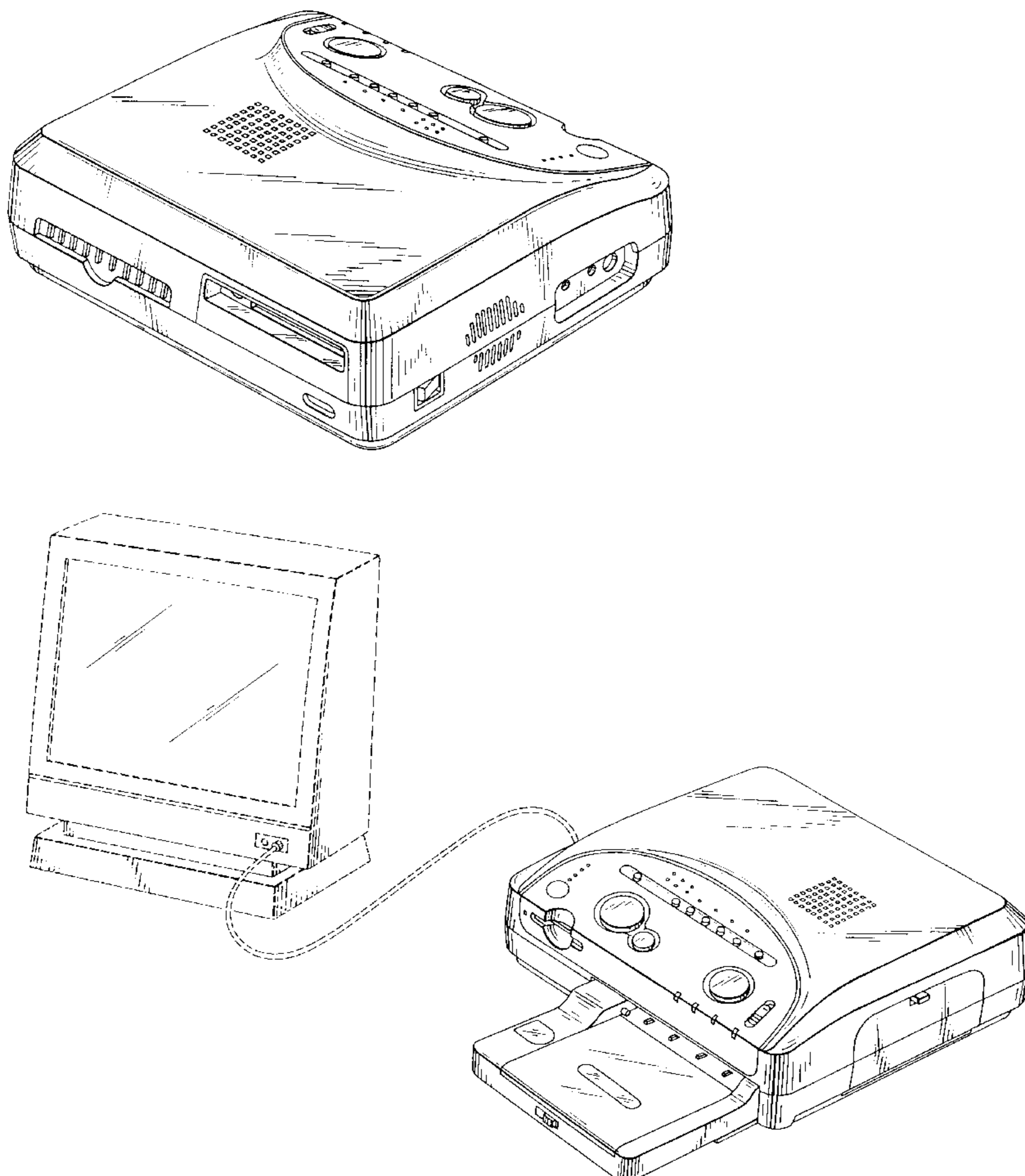


FIG.1

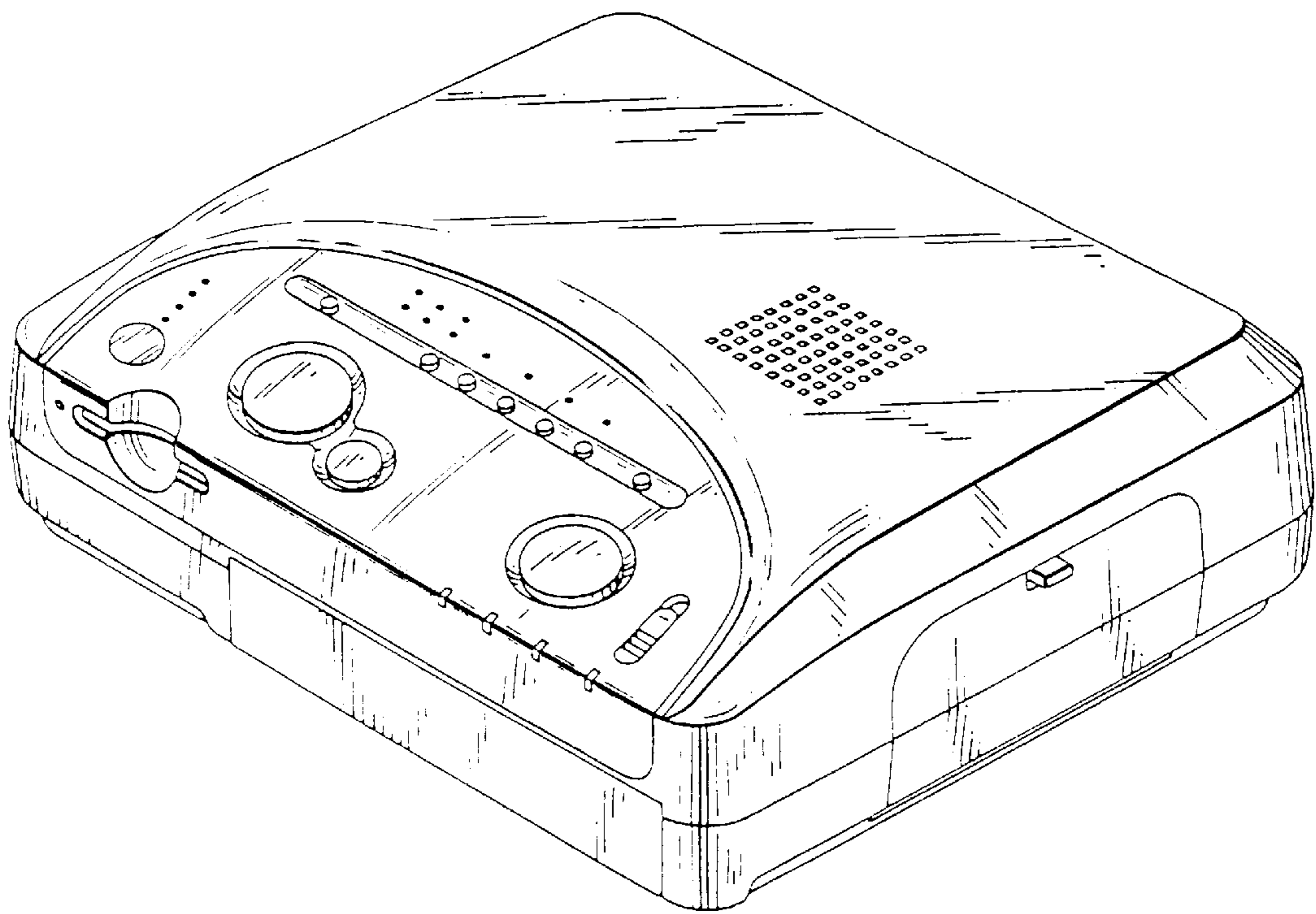


FIG. 2

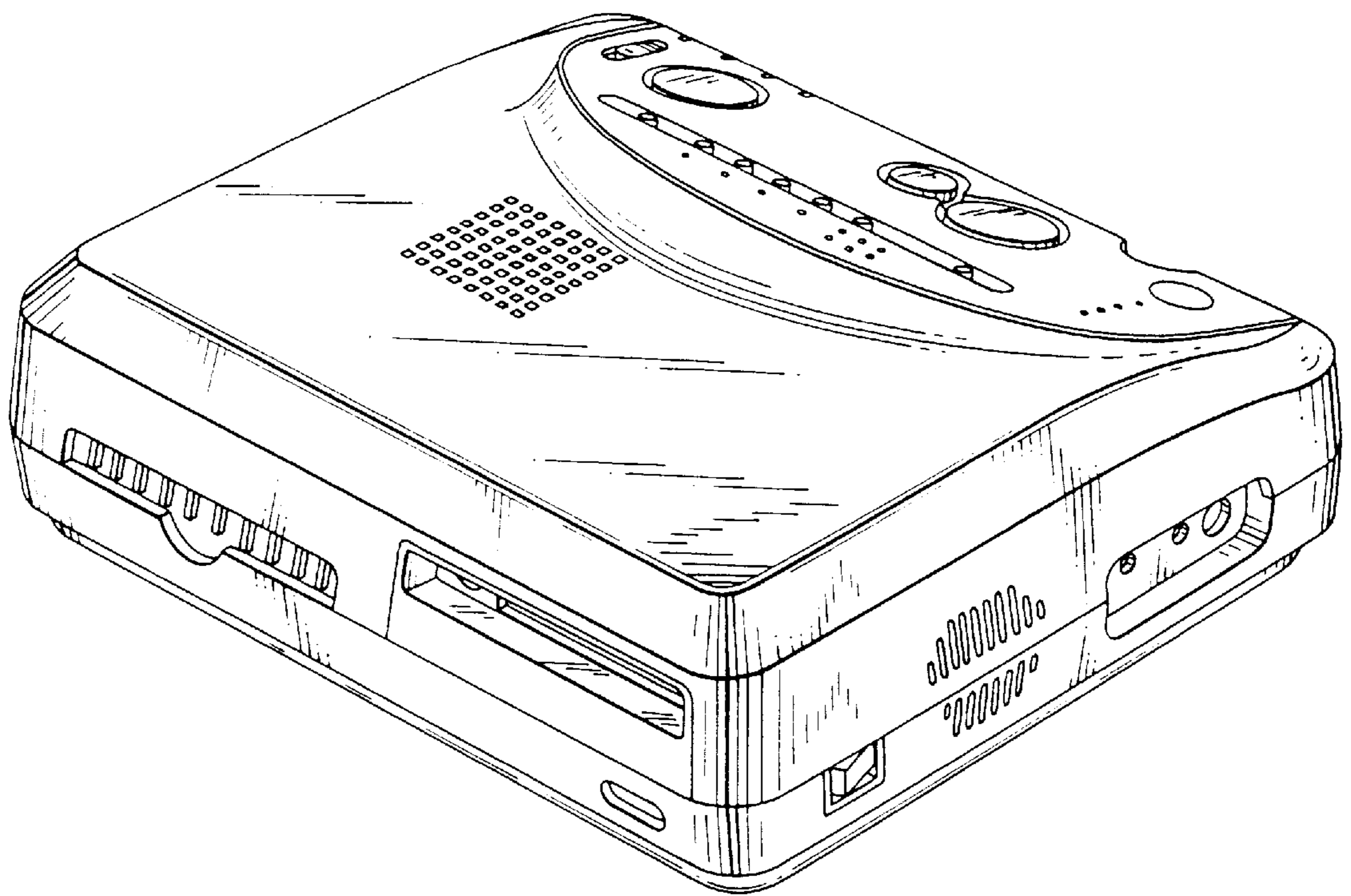


FIG. 3

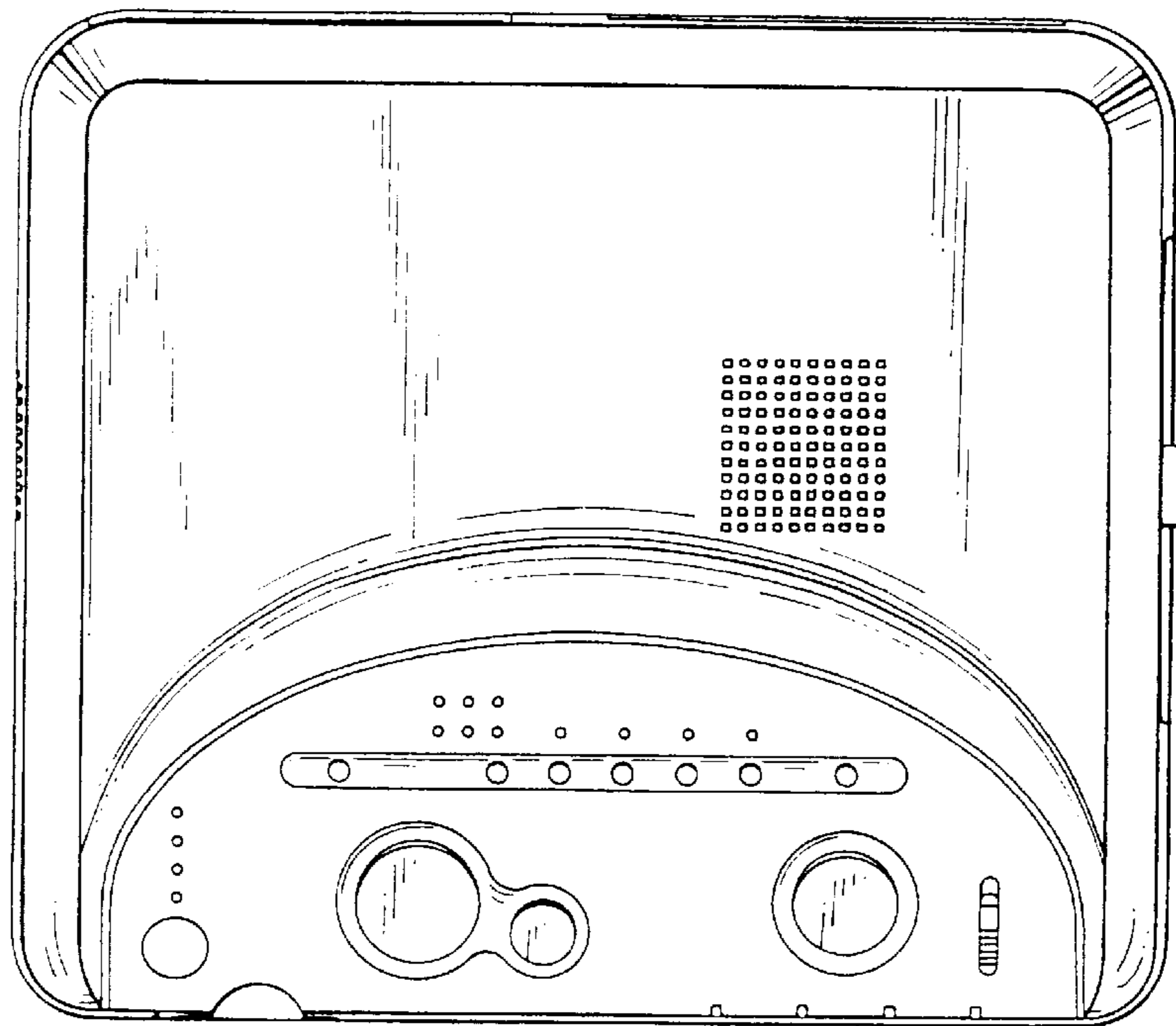


FIG. 4

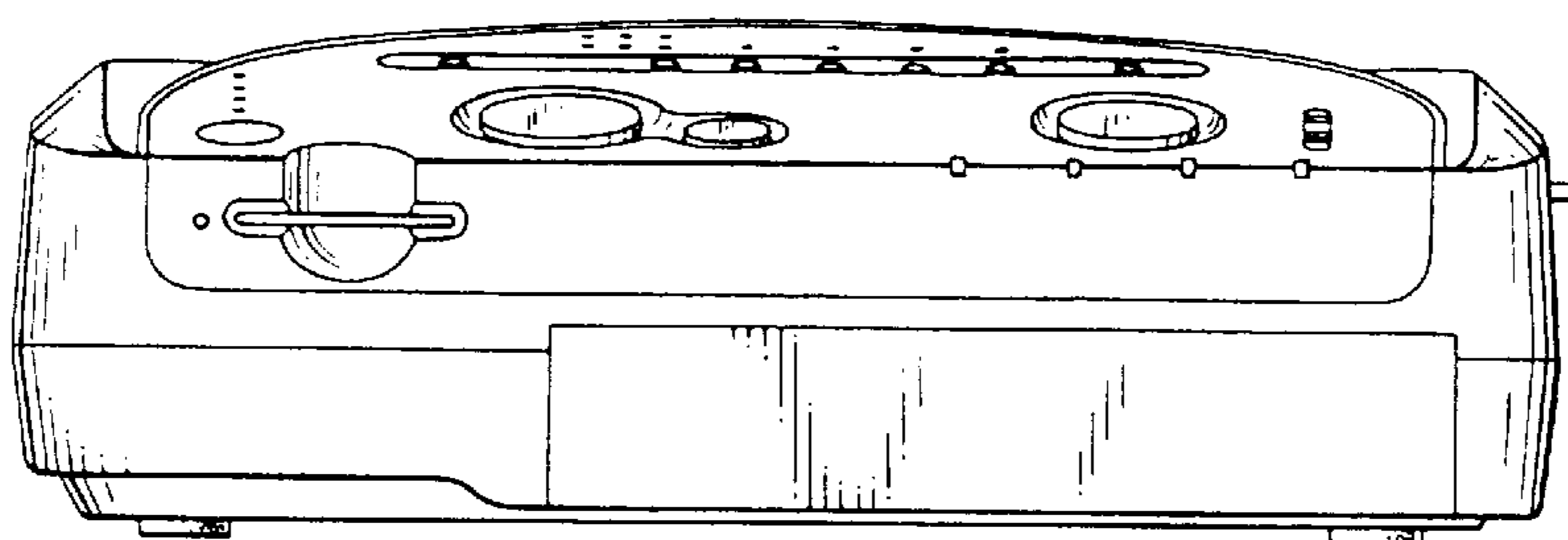


FIG. 5

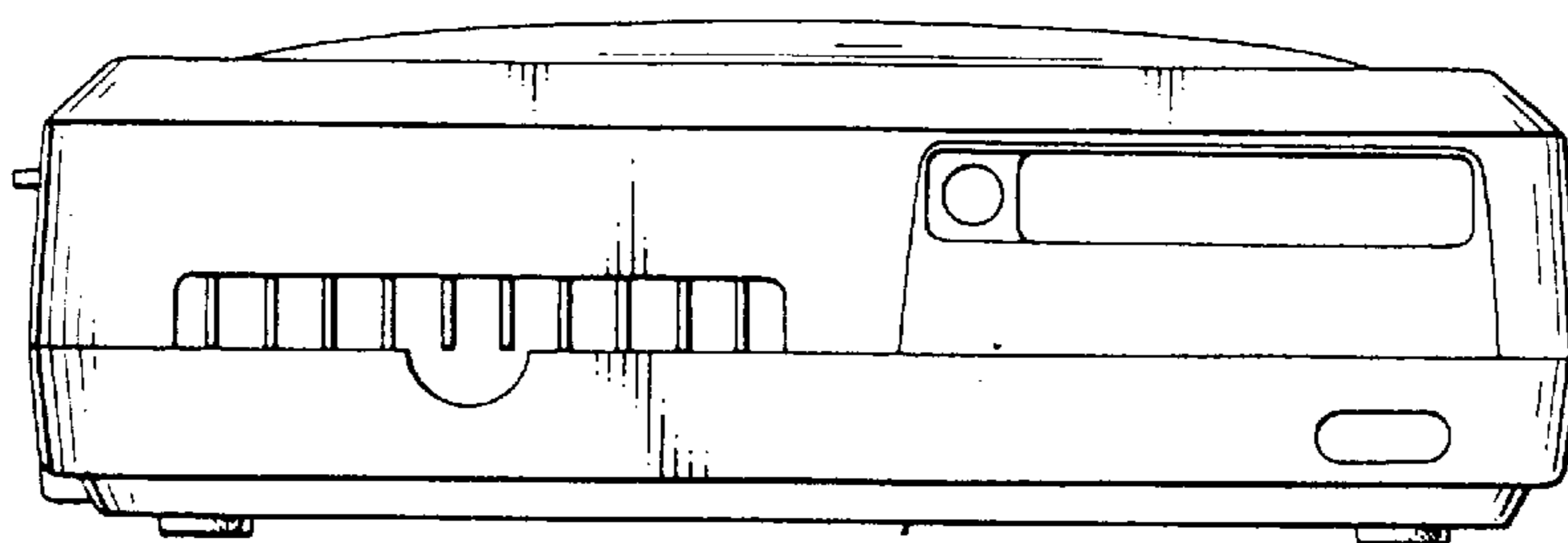




FIG. 6

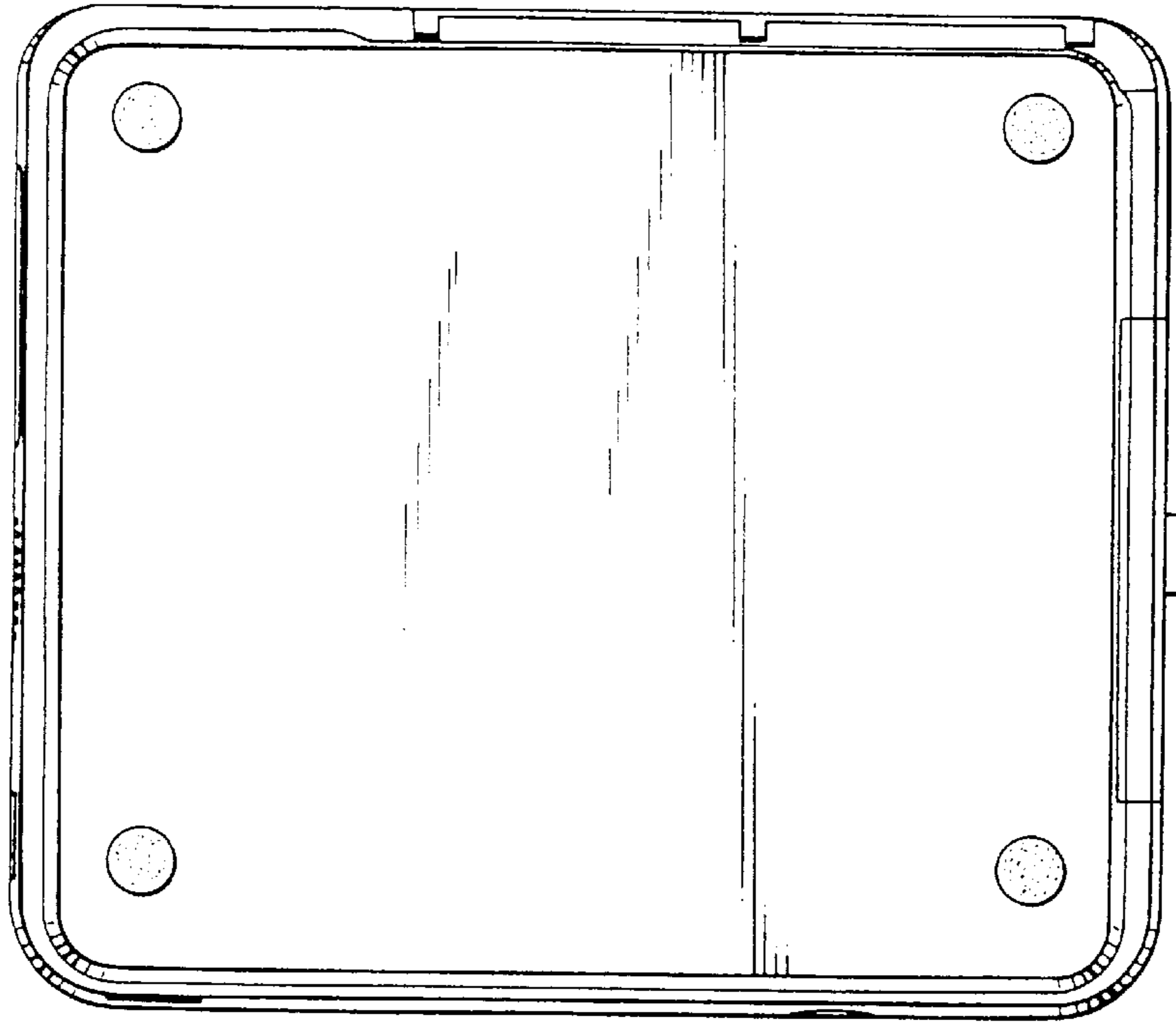


FIG. 7

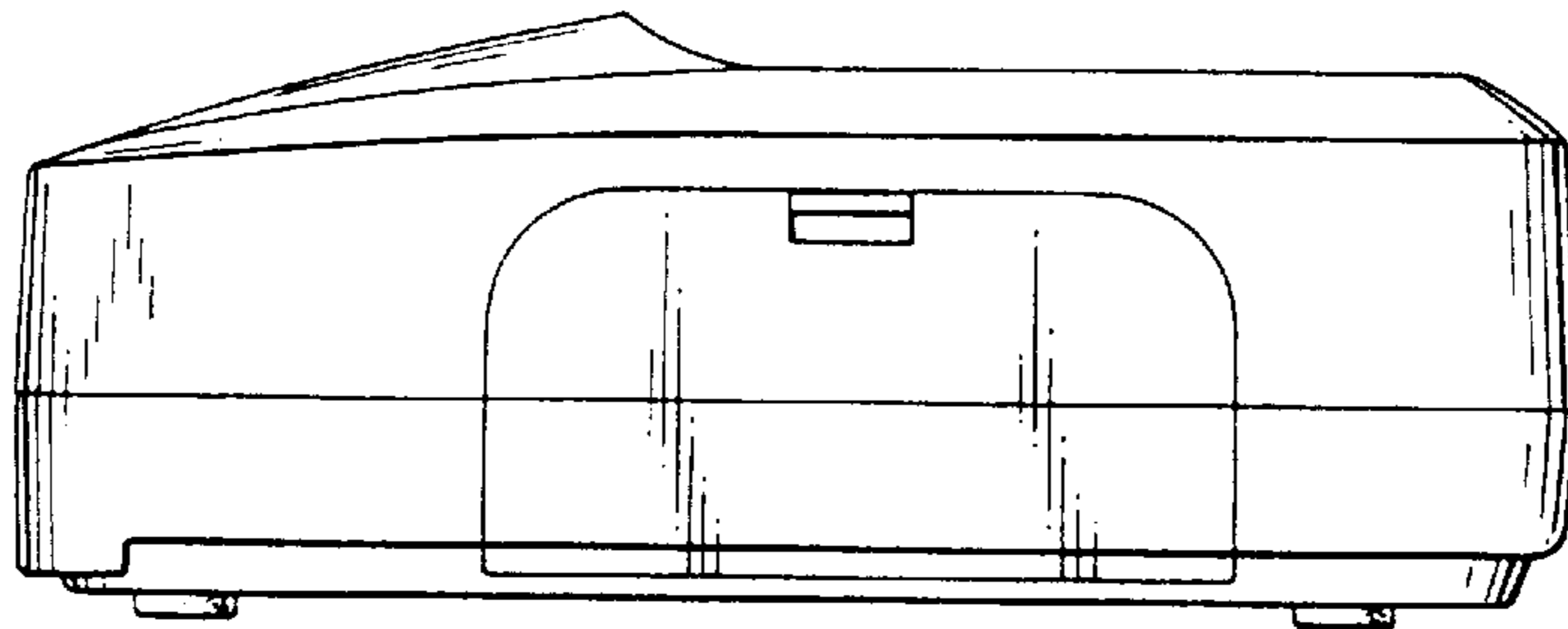


FIG. 8

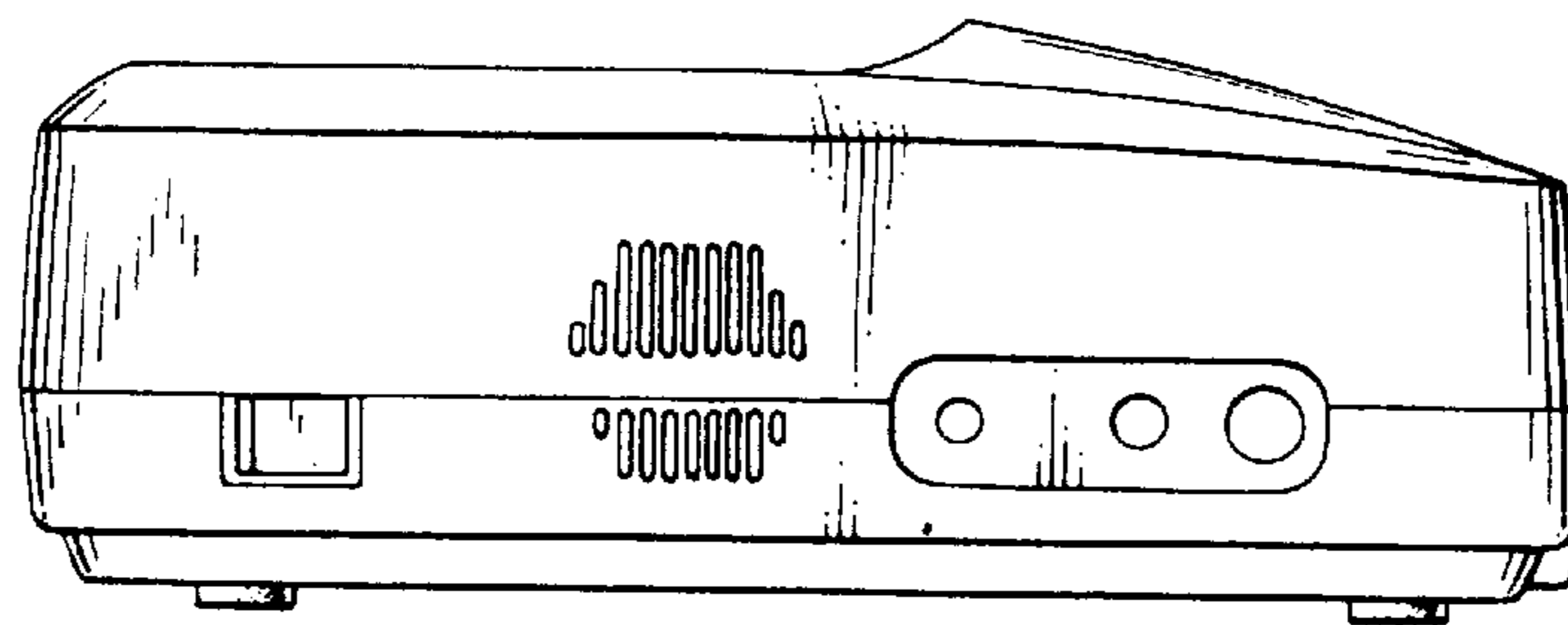


FIG. 9

