



US00D431042S

United States Patent [19] Lin

[11] **Patent Number: Des. 431,042**

[45] **Date of Patent: ** Sep. 19, 2000**

[54] **3-D GLASS**

[75] Inventor: **Ming-Yen Lin**, Taipei, Taiwan

[73] Assignee: **Artificial Parallax Electronics Corp.**,
Taipei, Taiwan

[**] Term: **14 Years**

[21] Appl. No.: **29/109,239**

[22] Filed: **Aug. 11, 1999**

[51] **LOC (7) Cl. 16-06**

[52] **U.S. Cl. D16/304; D16/300; D16/325**

[58] **Field of Search D16/101, 300-330,
D16/334-337; D29/109-110; 351/41, 44,
51, 52, 59-60, 47-48, 83, 111, 158; 2/436,
448, 449**

[56] **References Cited**

U.S. PATENT DOCUMENTS

- D. 228,028 7/1973 Leblanc D16/304
- D. 336,307 6/1993 Jones et al. D16/325

- D. 375,111 10/1996 Wielhouwer D16/304
- D. 377,036 12/1996 Leonardi D16/304
- 3,756,704 9/1973 Marks 351/60
- 4,400,067 8/1983 Joffe 351/59
- 4,508,526 4/1985 Dutcher 351/47
- 5,559,632 9/1996 Lukens 351/44

Primary Examiner—Raphael Barkai
Attorney, Agent, or Firm—Dougherty & Troxell

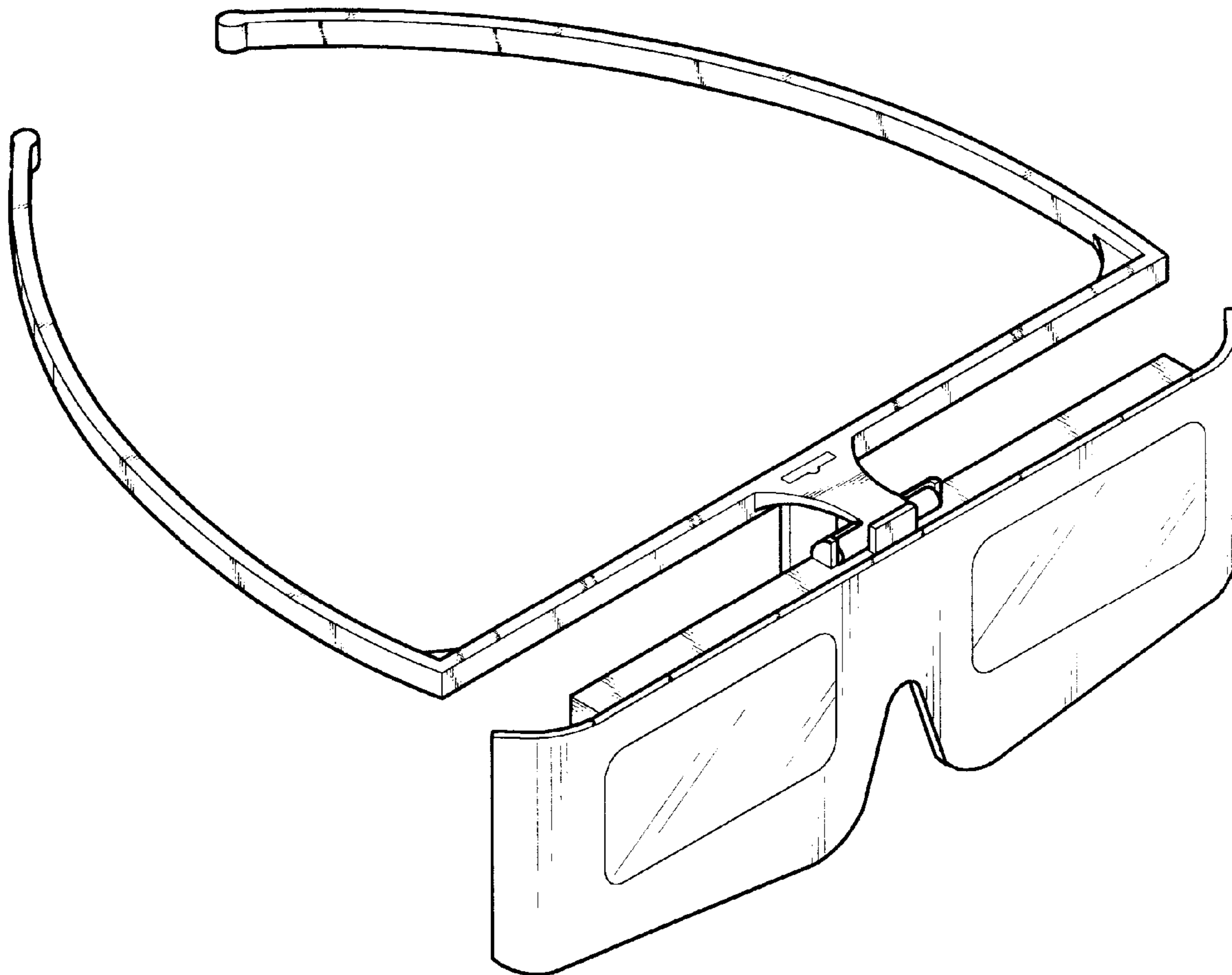
[57] **CLAIM**

The ornamental design for a “3-D glass”, as shown and described.

DESCRIPTION

FIG. 1 is a perspective view of a “3-D glass ” showing my design;
FIG. 2 is a front plan view thereof;
FIG. 3 is a rear plan view thereof;
FIG. 4 is a left side elevational view thereof;
FIG. 5 is a right side elevational view thereof;
FIG. 6 is a top elevational view thereof; and,
FIG. 7 is a bottom elevational view thereof.

1 Claim, 4 Drawing Sheets



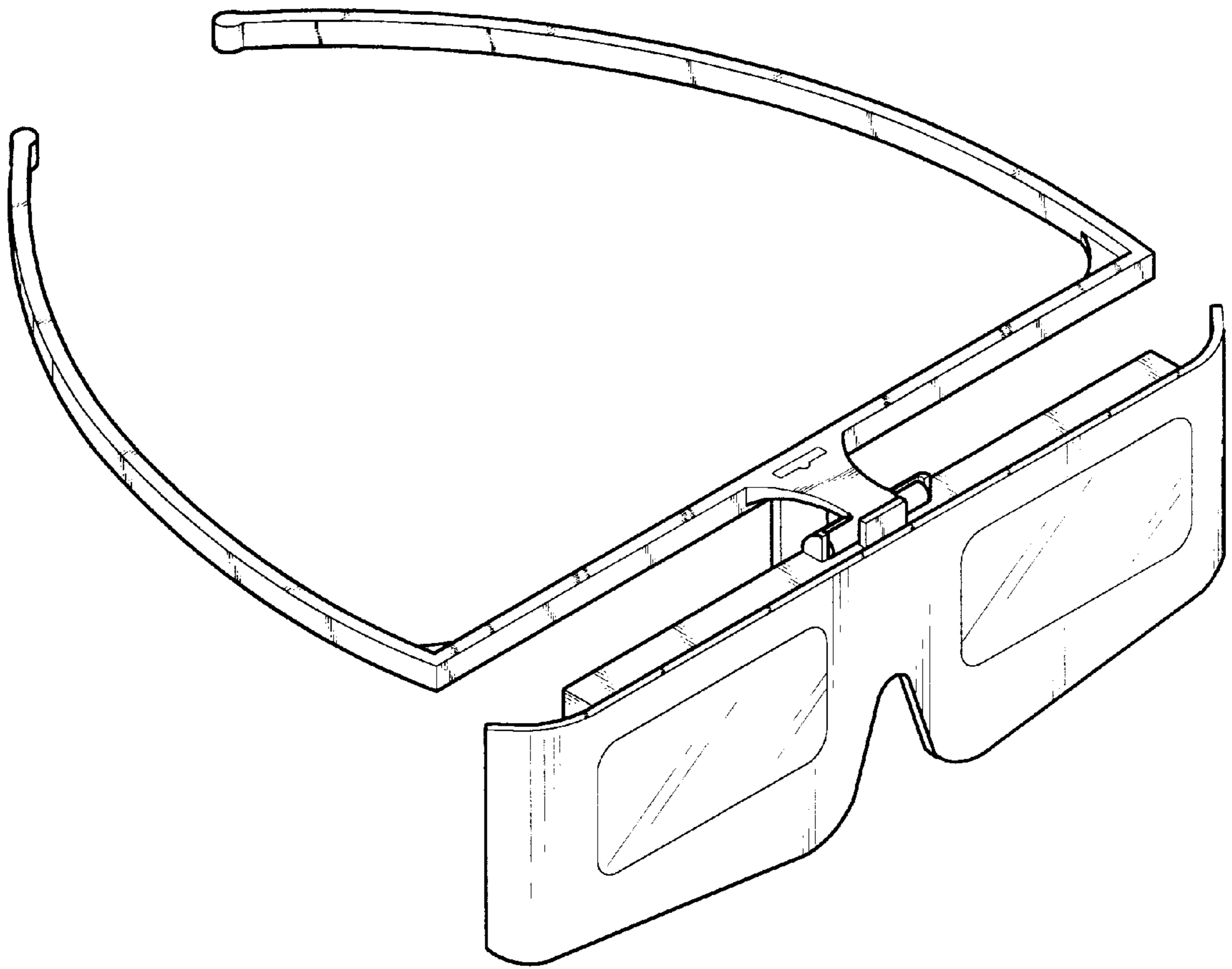


FIG. 1

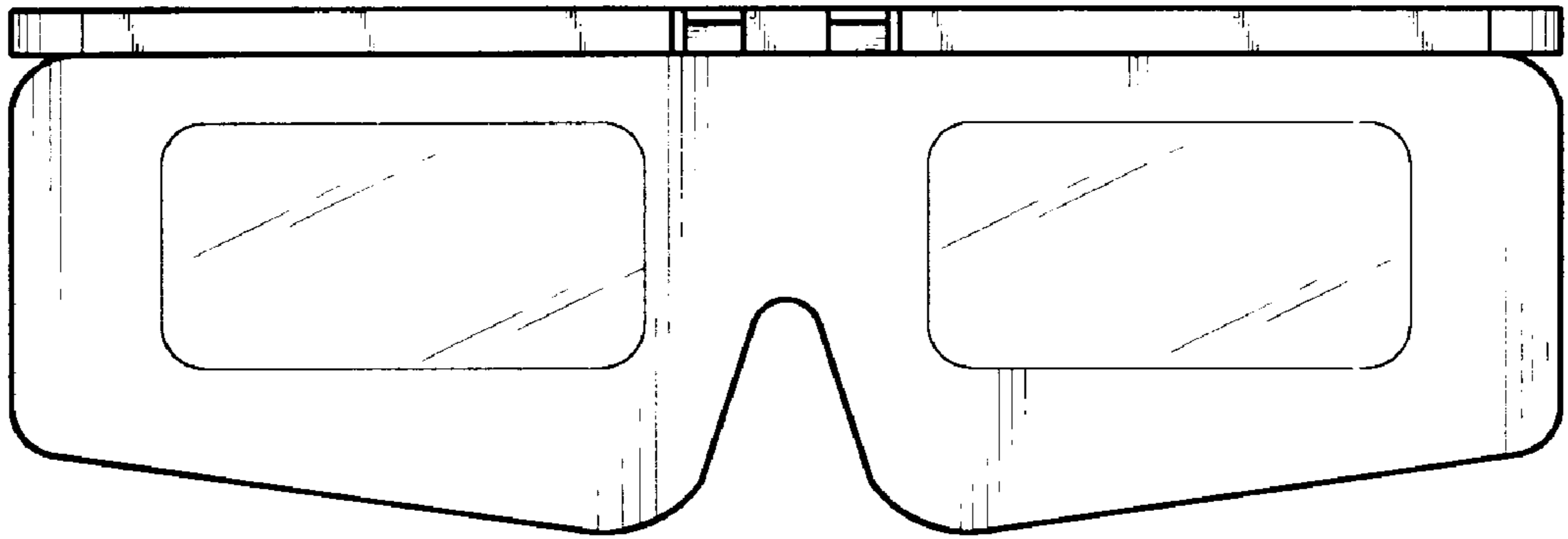


FIG. 2

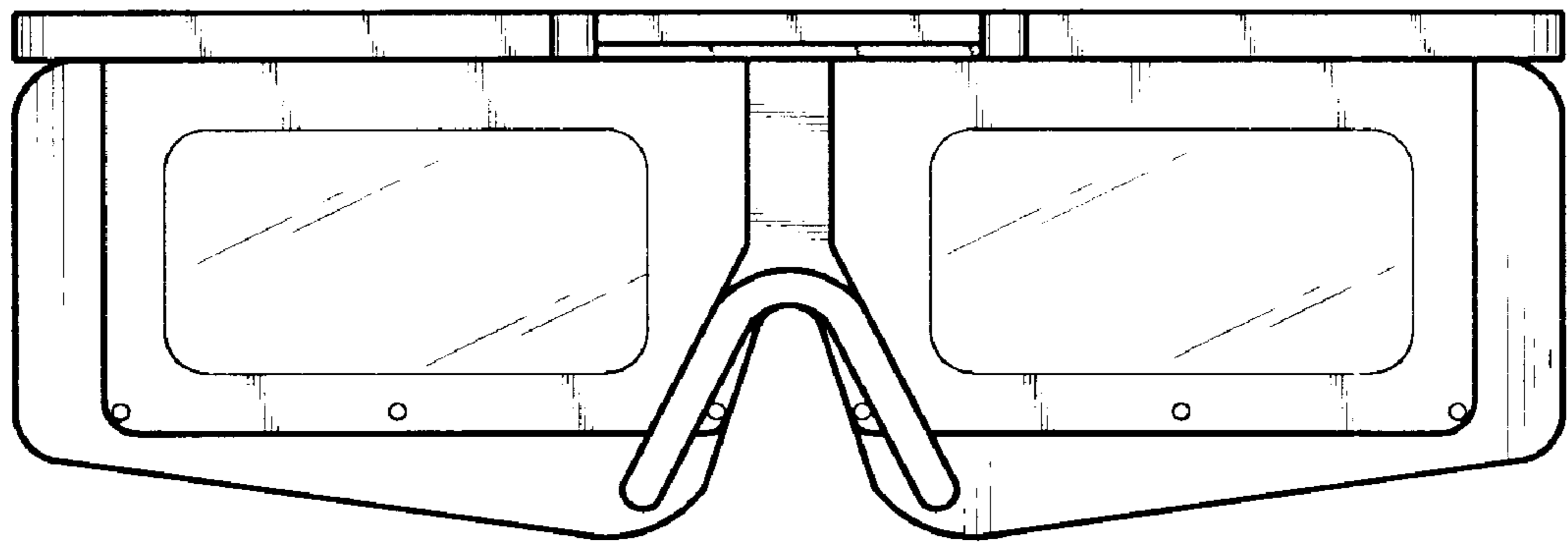


FIG. 3

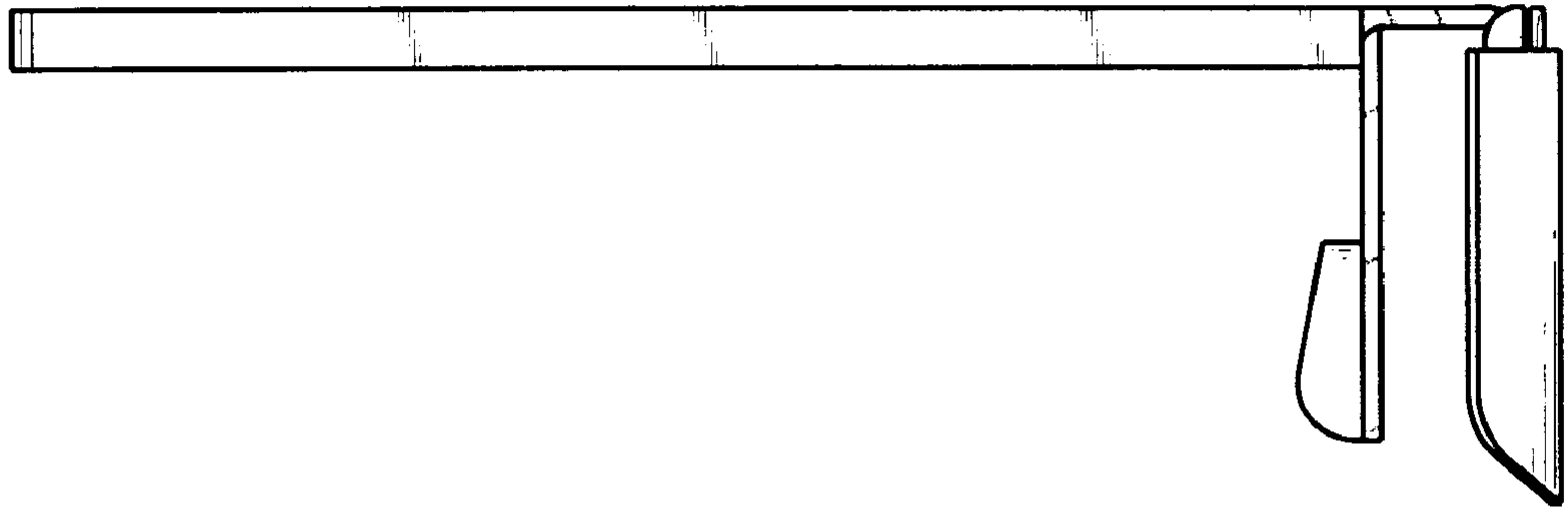


FIG. 4

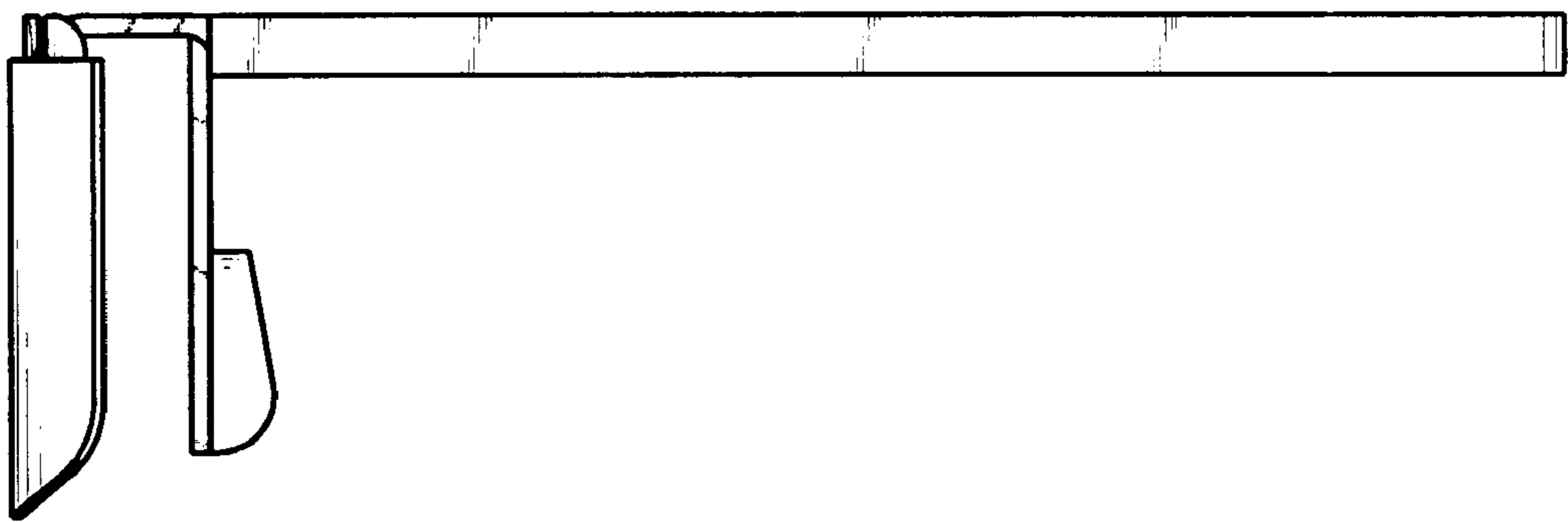


FIG. 5

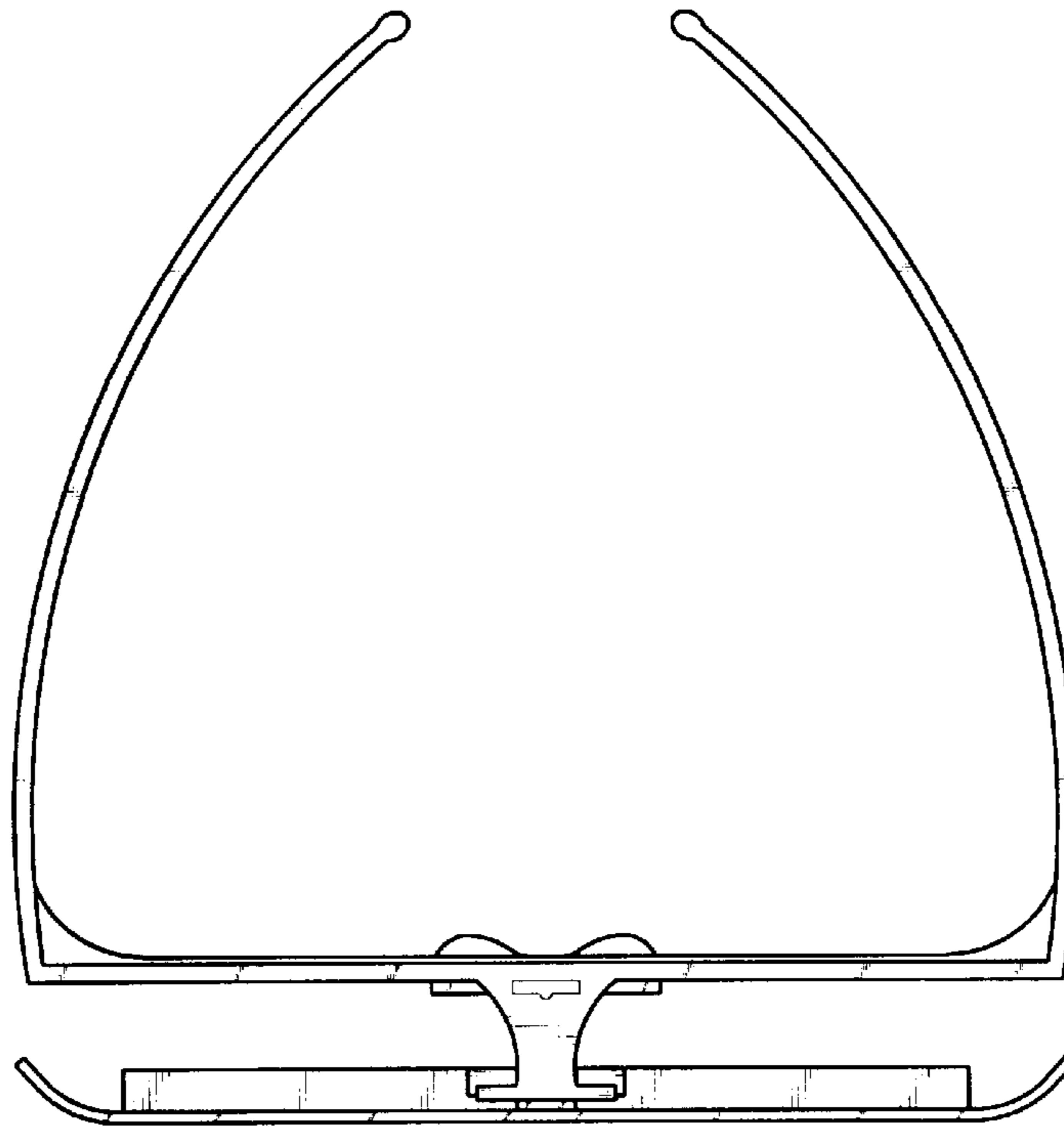


FIG. 6

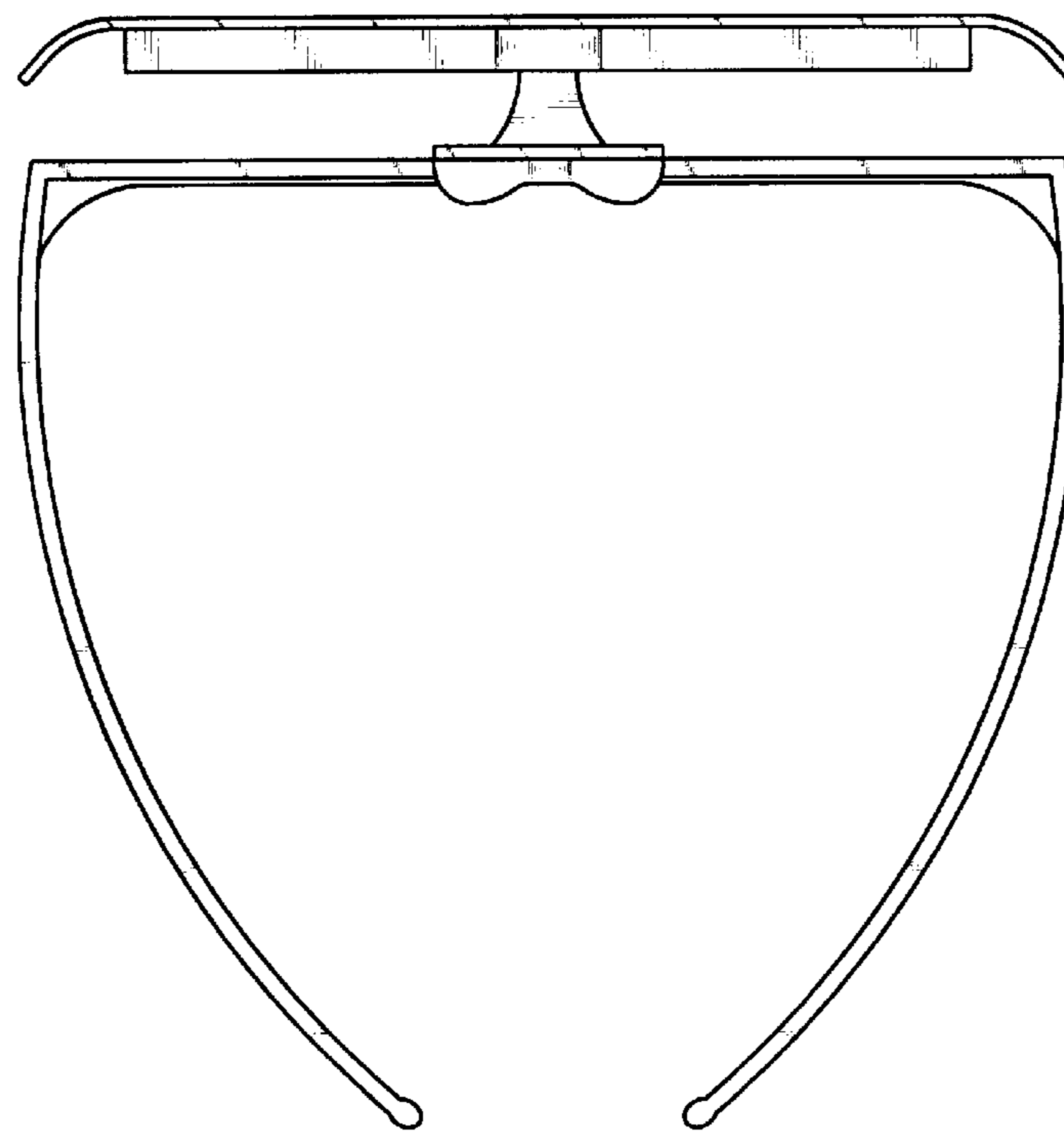


FIG. 7