



US00D431040S

United States Patent [19]

[11] Patent Number: **Des. 431,040**

Makabe et al.

[45] Date of Patent: **** Sep. 19, 2000**

[54] **CHUCK OF AN INDUSTRIAL ROBOT**

5,197,748 3/1993 Wu 279/4.12

[75] Inventors: **Yuji Makabe; Hiroshi Miyachi; Koji Hara**, all of Ibaraki, Japan

Primary Examiner—Antoine Duval Davis
Attorney, Agent, or Firm—Oblon, Spivak, McClelland, Maier & Neustadt, P.C.

[73] Assignee: **SMC Corporation**, Tokyo, Japan

[57] CLAIM

[**] Term: **14 Years**

The ornamental design for chuck of an industrial robot, as shown and described.

[21] Appl. No.: **29/111,483**

DESCRIPTION

[22] Filed: **Sep. 30, 1999**

[30] Foreign Application Priority Data

Mar. 31, 1999 [JP] Japan 11-8160

FIG. 1 is a bottom and front view of chuck of industrial robot showing our new design;

[51] **LOC (7) Cl.** **15-09**

FIG. 2 is a top and rear view thereof;

[52] **U.S. Cl.** **D15/140**

FIG. 3 is a front elevational view thereof;

[58] **Field of Search** D15/140; 279/4.12; 294/88, 119.1, 116; 318/568.1; 901/37

FIG. 4 is a rear elevational view thereof;

FIG. 5 is a top plan view thereof;

FIG. 6 is a bottom plan view thereof;

FIG. 7 is a left side elevational view thereof; and,

FIG. 8 is a right side elevational view thereof.

[56] References Cited

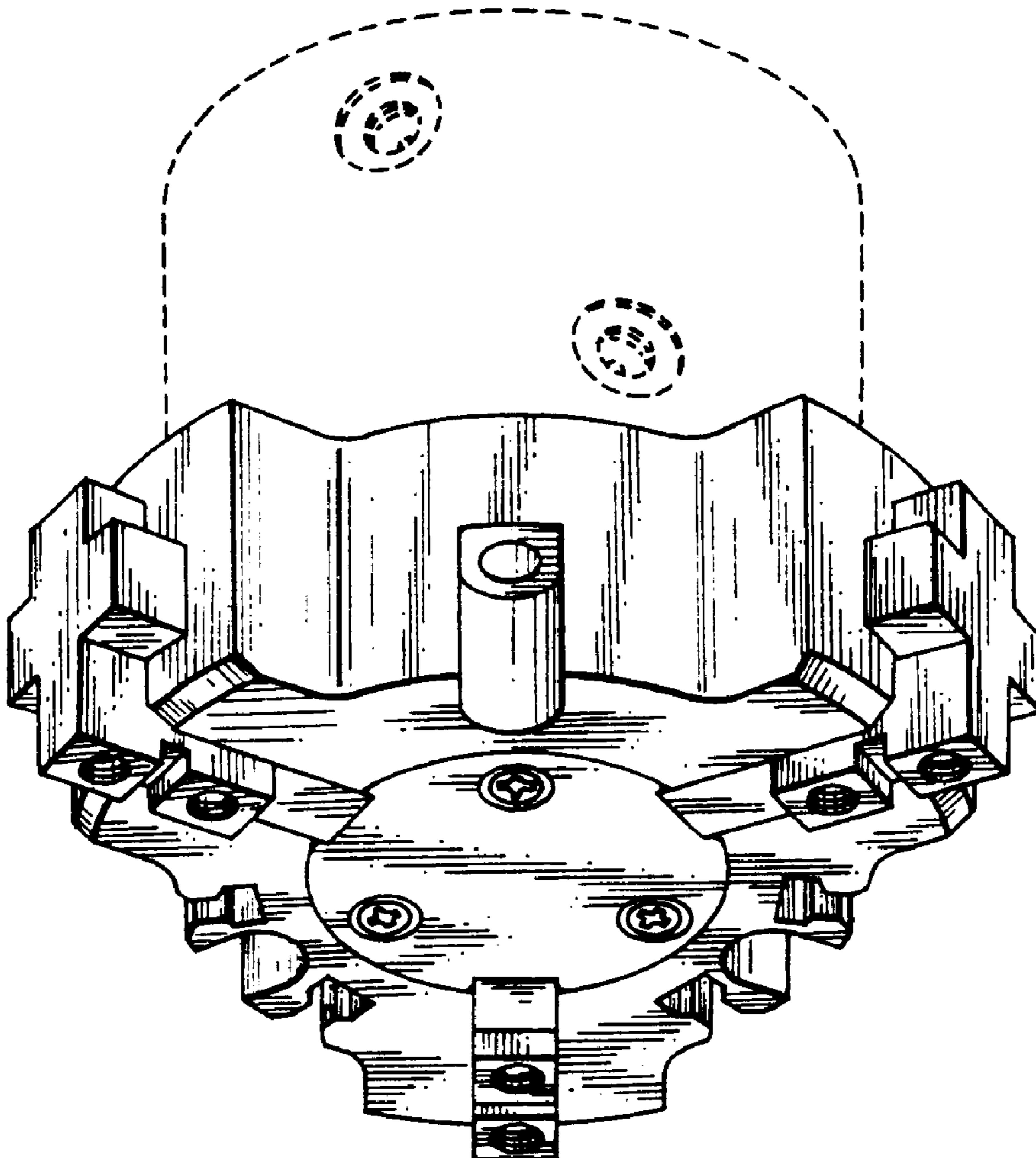
The broken lines showing of the body in the figures is for illustrative purposes only and forms no part of the claimed design.

U.S. PATENT DOCUMENTS

4,718,682 1/1988 Zillie et al. 279/88

4,763,401 8/1988 Marinomi et al. 279/4.12

1 Claim, 2 Drawing Sheets



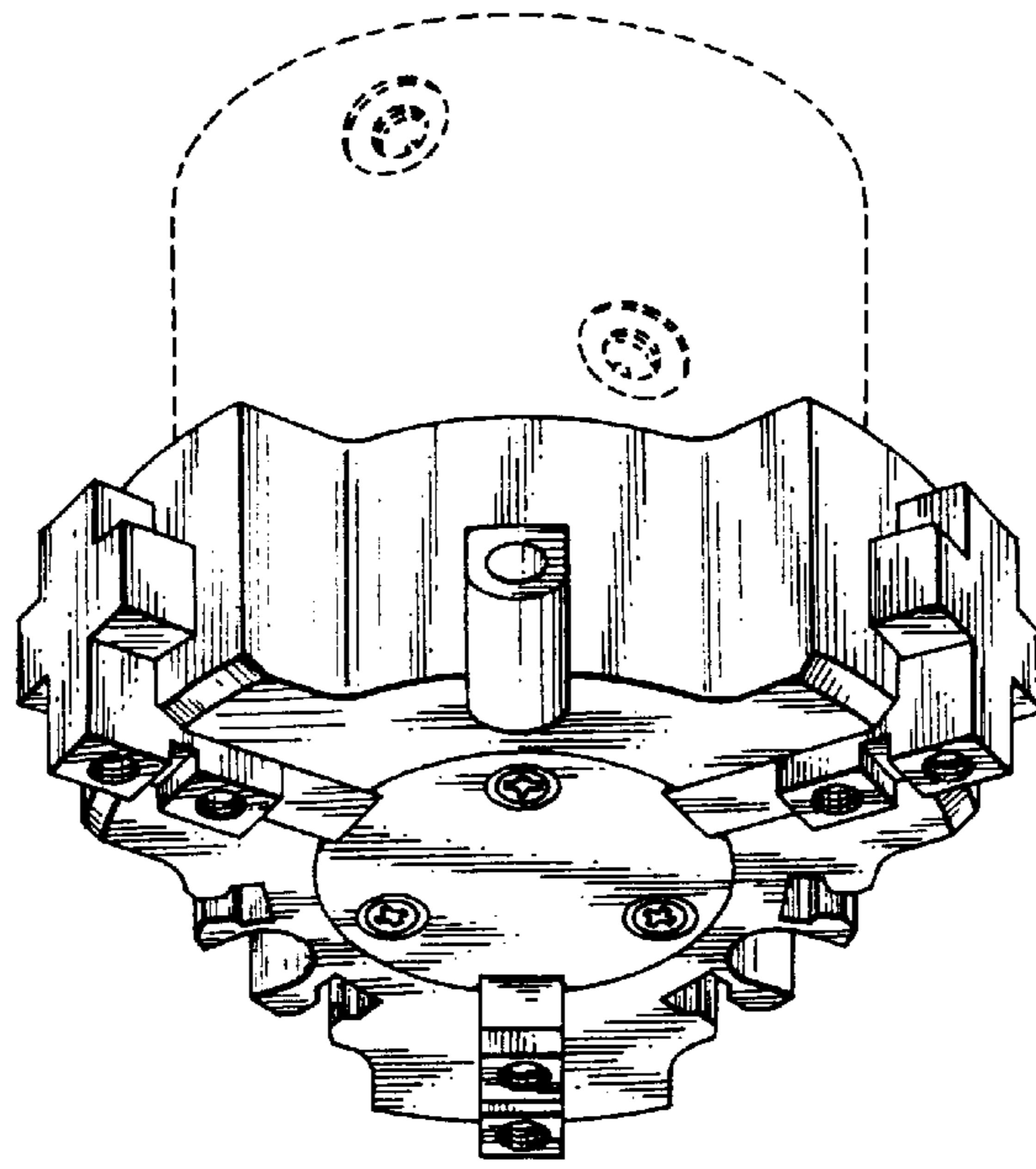


FIG. 1

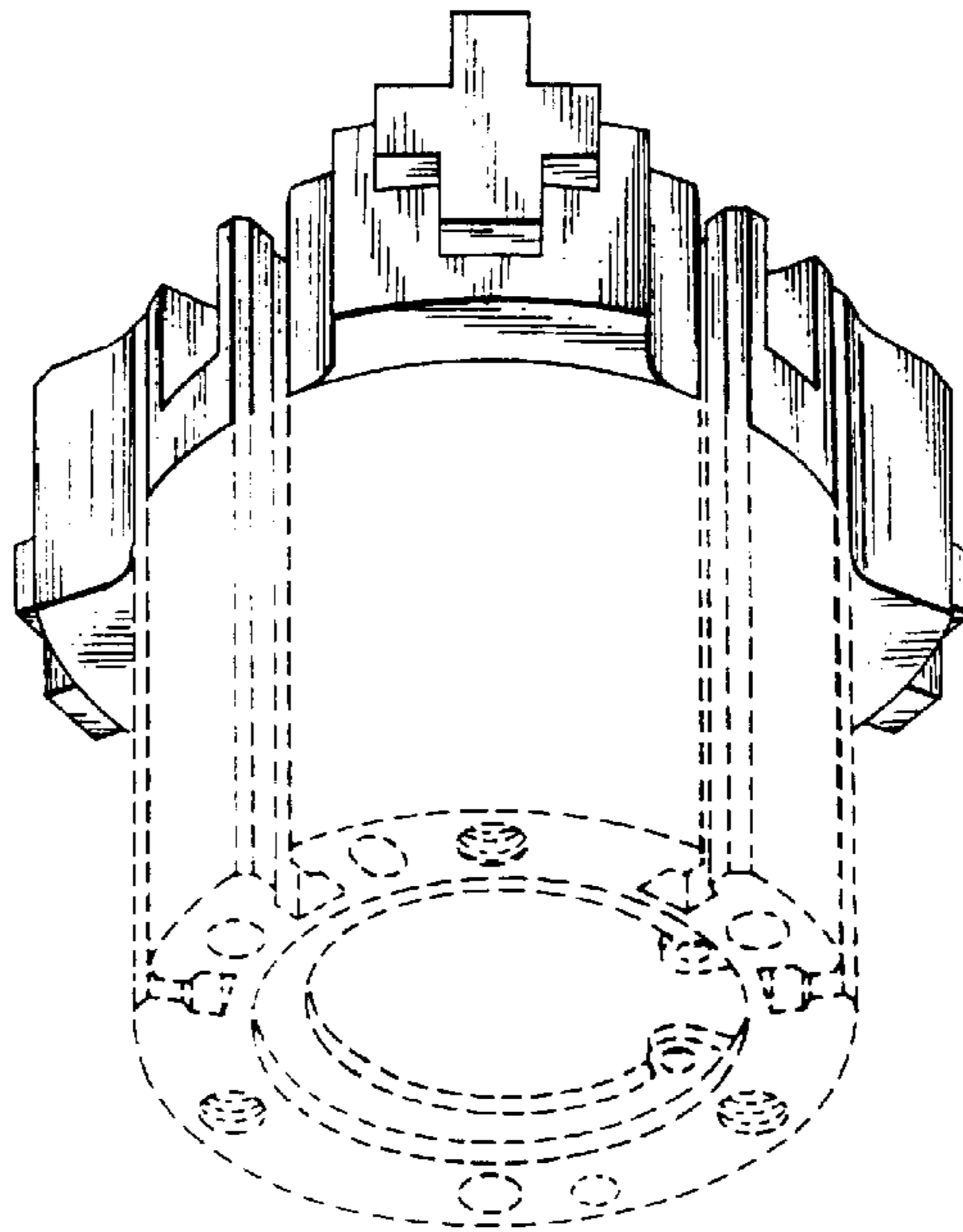


FIG. 2

FIG. 3

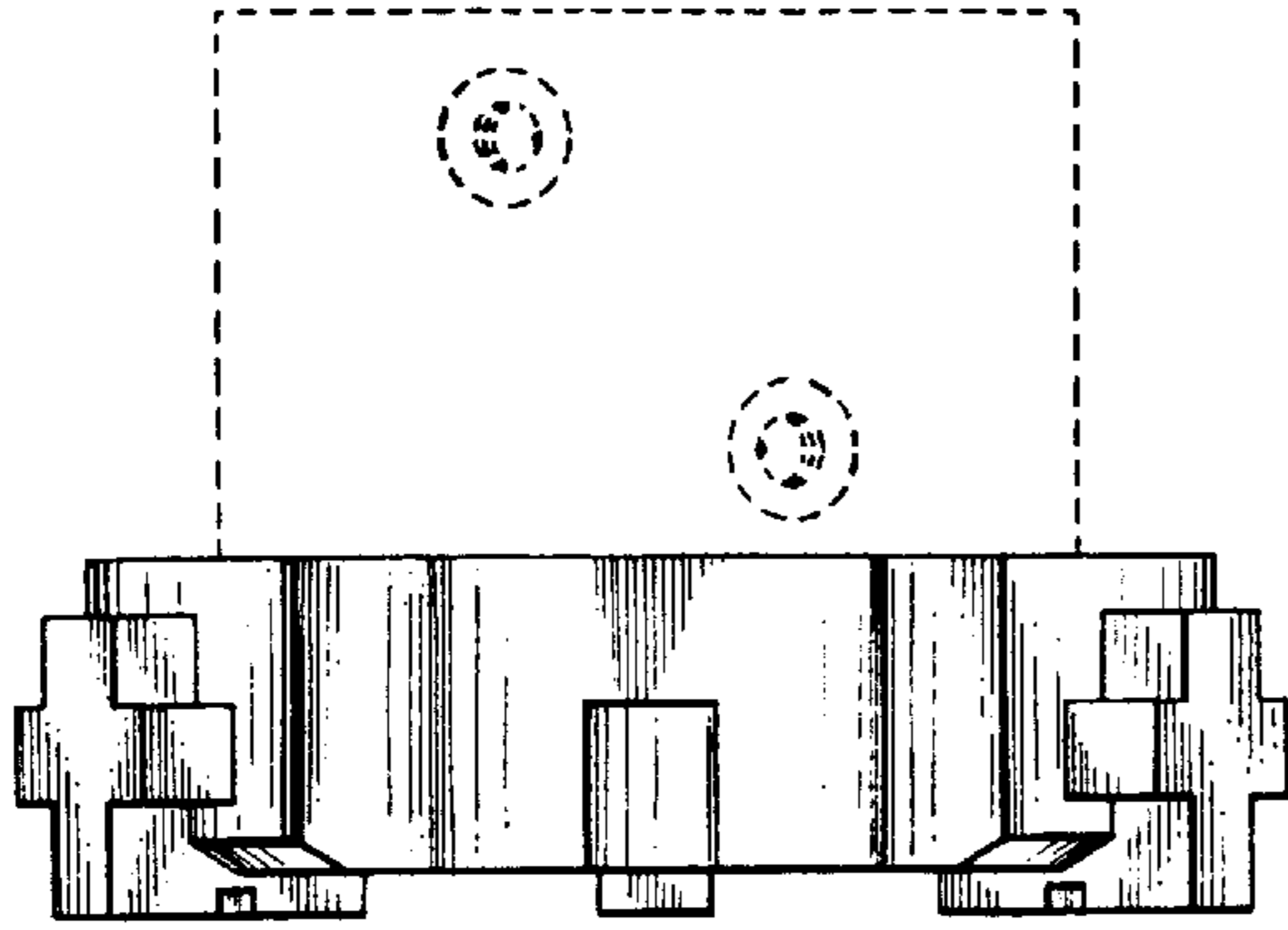


FIG. 4

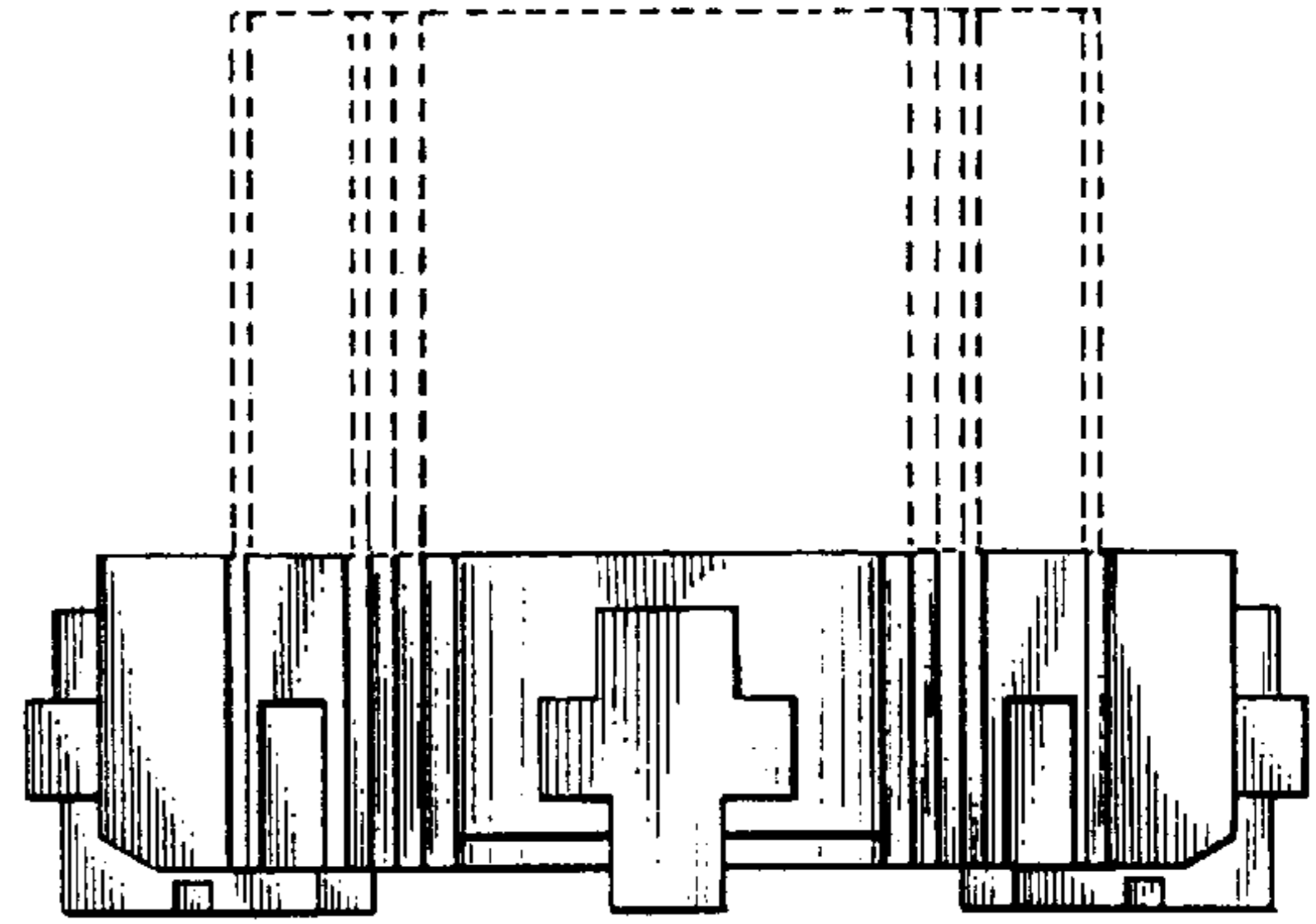


FIG. 5

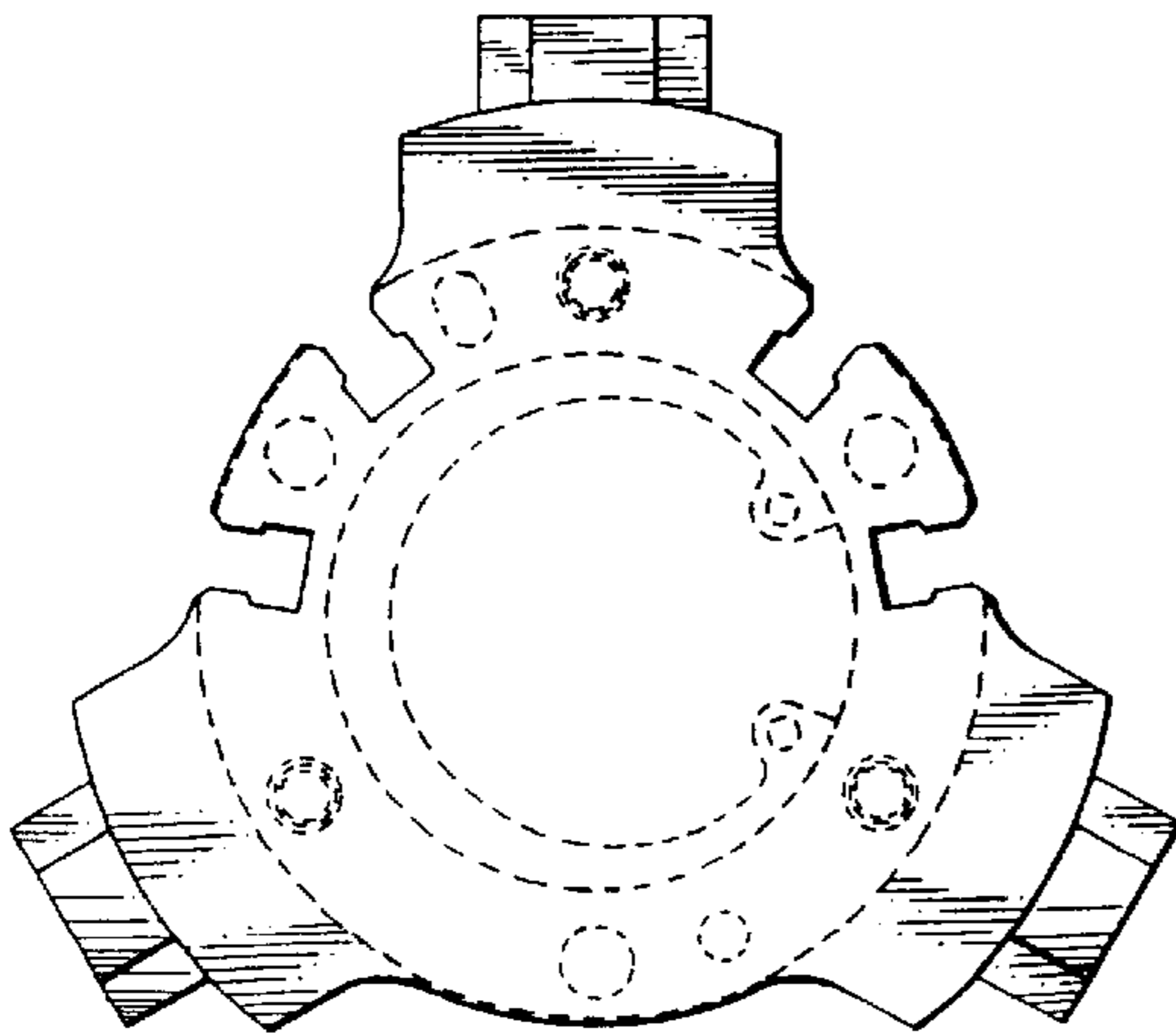


FIG. 6

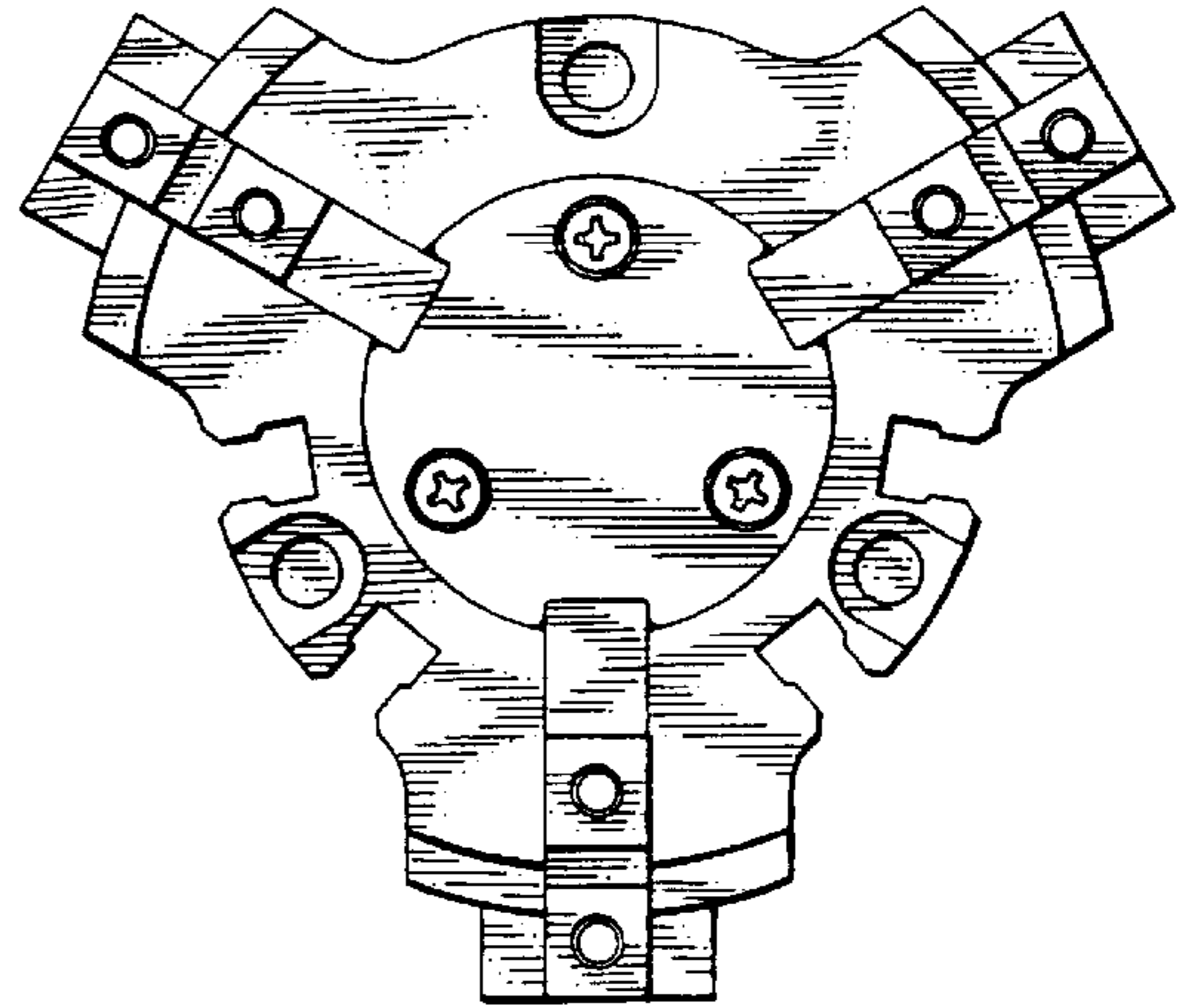


FIG. 7

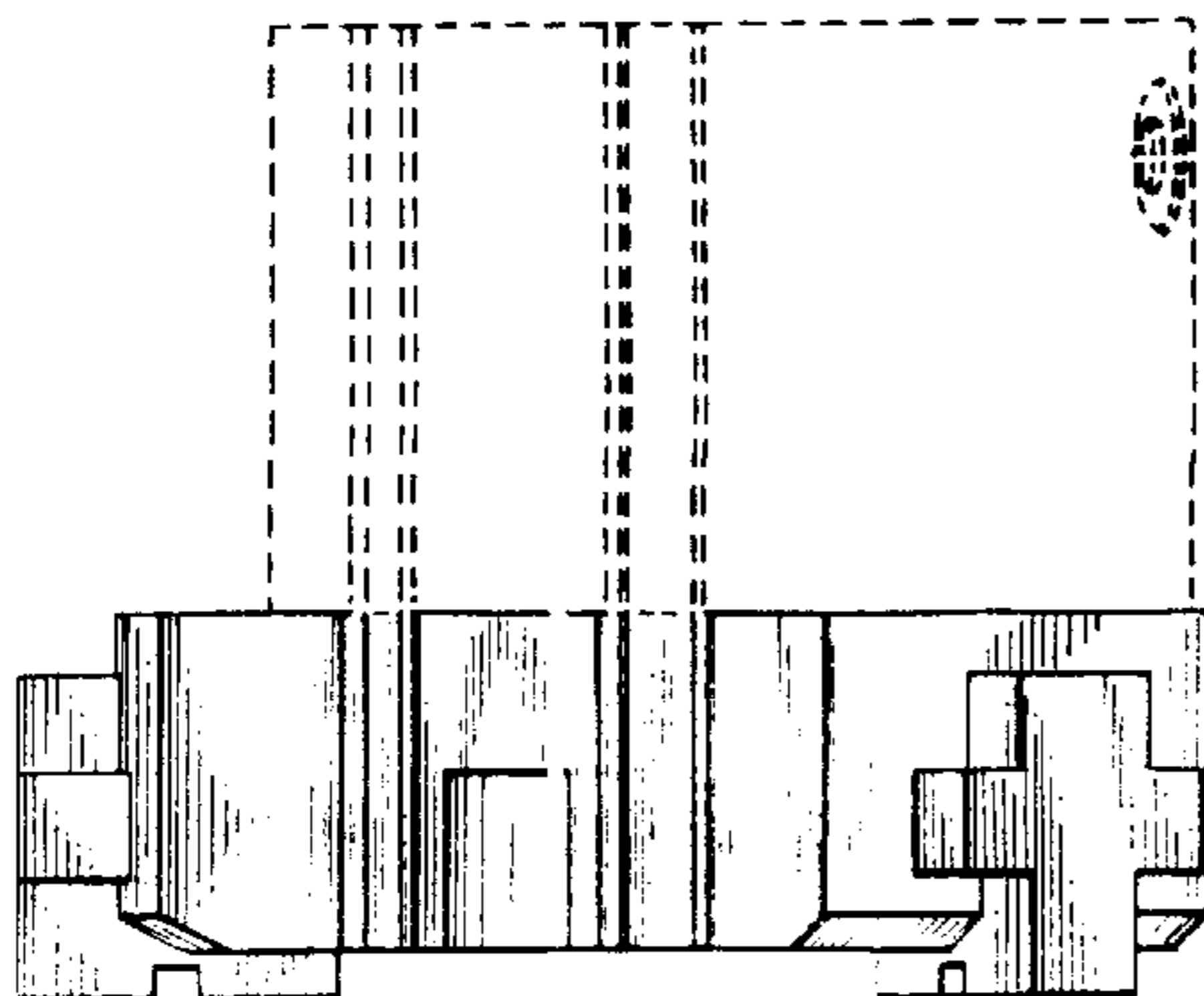


FIG. 8

