



US00D431038S

United States Patent [19]

[11] **Patent Number: Des. 431,038**

Faris et al.

[45] **Date of Patent: ** Sep. 19, 2000**

[54] **WINDOW FOR A COMPUTER DISPLAY SCREEN**

FOREIGN PATENT DOCUMENTS

0561517 9/1993 European Pat. Off. 3/33
0650114 4/1995 European Pat. Off. 3/16

[75] Inventors: **James P. Faris**, Santa Cruz; **Jeffrey E. Tycz**, Sunnyvale, both of Calif.

OTHER PUBLICATIONS

[73] Assignee: **Apple Computer, Inc.**, Cupertino, Calif.

“Building User Interfaces by Direct Manipulation”, Cardelli, Proceedings of the ACM SIGGRAPH Symposium on User Interface Software, ACM Press, 1988, pp. 152–166.
“Macintosh Graphics”, G. McComb and L.S. Smith, 1985, New American Library pp. 49–50, 107–108.

[**] Term: **14 Years**

“IBM OS/2 2.0 Presentation Manager Graphics Programming Guide”, 1992, pp. 5–1 to 5–5, 7–1 to 7–9.

[21] Appl. No.: **29/087,504**

“Reunion for Windows 3.0” User’s Guide, 1993, Leister Productions, p. 188.

[22] Filed: **May 4, 1998**

“Excel Quickstart” Guide, 1985, Que Corp., pp. 42 and 62.

Related U.S. Application Data

“Microsoft Publisher User’s Guide”, 1991, Microsoft Corp., p. 116.

[62] Division of application No. 29/038,515, May 5, 1995, abandoned.

“hDC Windows Express Editor” Manual, 1988, hDC Corp., p. 35.

[51] **LOC (7) Cl.** **14-02**

Claris MacDraw II, Claris Corp. 1988, p. 32.

[52] **U.S. Cl.** **D14/486**

“Business Filevision Manual”, 1985, Telos Software, p. 2.

[58] **Field of Search** D14/114, 114.1–114.9; D18/24–33; D20/11; D21/324–33; D19/6; 345/326, 339–58

Primary Examiner—M. H. Tung

Attorney, Agent, or Firm—Helene Plotka Workman

References Cited

[57] CLAIM

U.S. PATENT DOCUMENTS

The ornamental design for a window for a computer display screen, as shown and described.

D. 391,559	3/1998	Faris et al.	D14/114.1
D. 392,264	3/1998	Marshall, Jr. et al.	D14/114.1
D. 393,457	4/1998	Nay	D14/114.2
D. 393,635	4/1998	Coleman	D14/114.2
D. 402,284	12/1998	Coleman	D14/114.2
D. 404,385	1/1999	Hodgson	D14/114.2
4,831,556	5/1989	Oono	364/521
4,899,136	2/1990	Beard et al.	340/706
5,003,499	3/1991	Fujiwara et al.	364/523
5,179,700	1/1993	Aihara et al.	395/650
5,196,838	3/1993	Meier et al.	340/724
5,202,828	4/1993	Vertelney et al.	364/419
5,202,961	4/1993	Mills et al.	395/159
5,237,648	8/1993	Mills et al.	395/133
5,287,448	2/1994	Nicol et al.	395/159
5,299,307	3/1994	Young	395/161
5,327,529	7/1994	Fults et al.	395/155
5,396,621	3/1995	MacGregor et al.	395/161

DESCRIPTION

The file of this patent contains at least one drawing executed in color. Copies of this patent with color drawing(s) will be provided by the Patent and Trademark Office upon request and payment of the necessary fee.

FIG. 1 is a front view of window for a computer display screen;

FIG. 2 is a front view of a second embodiment thereof;

FIG. 3 is a front view of a third embodiment thereof;

FIG. 4 is a front view of a fourth embodiment thereof;

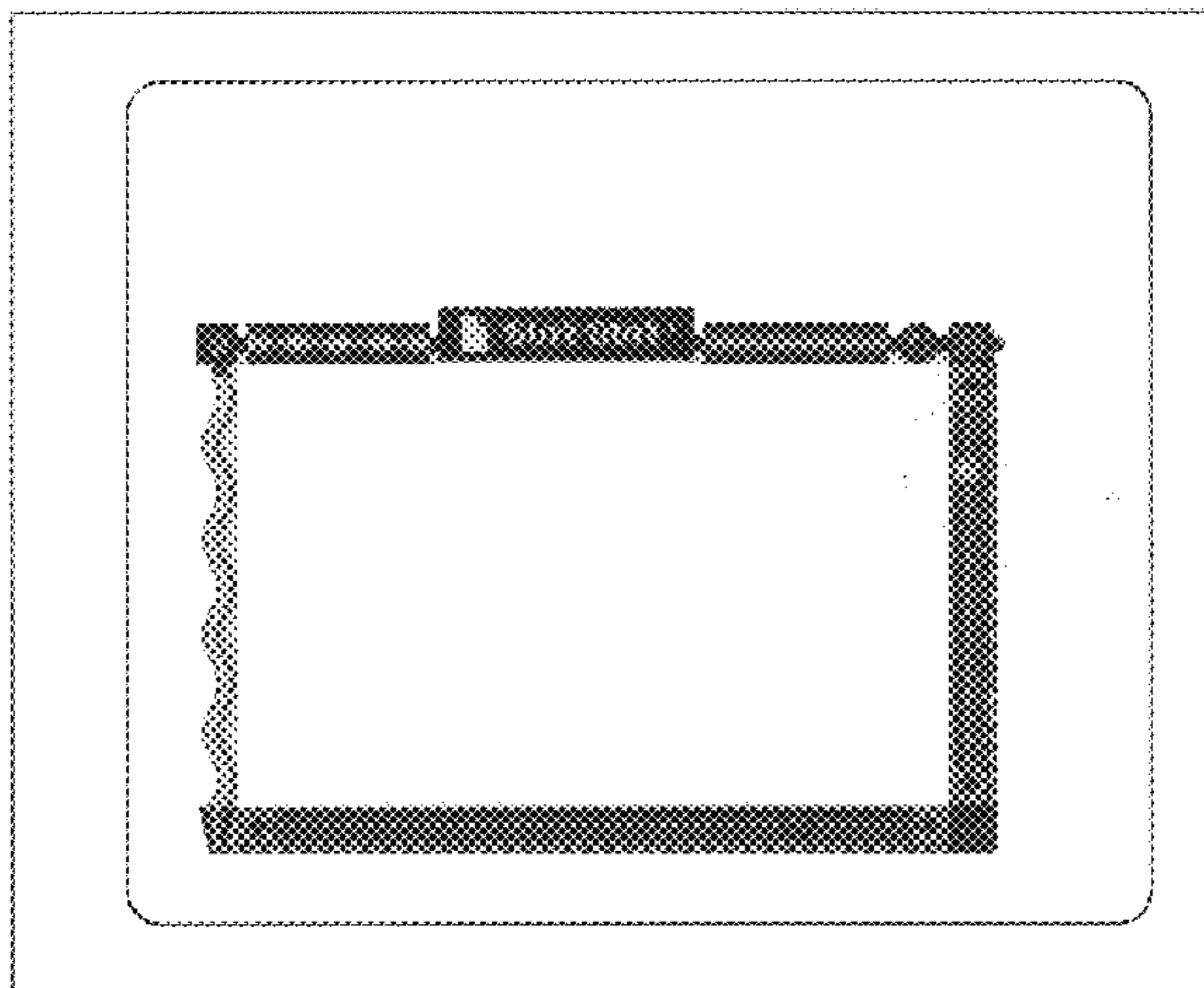
FIG. 5 is a front view of a fifth embodiment thereof; and,

FIG. 6 is a front view of a sixth embodiment thereof.

1 Claim, 6 Drawing Sheets

(List continued on next page.)

(2 of 6 Drawing Sheet(s) Filed in Color)



U.S. PATENT DOCUMENTS

5,410,681	4/1995	Jessen et al.	395/500	5,596,691	1/1997	Good et al.	395/140
5,438,659	8/1995	Notess et al.	395/155	5,600,778	2/1997	Swanson et al.	395/333
5,450,540	9/1995	Spohrer et al.	395/155	5,603,034	2/1997	Swanson	395/701
5,452,406	9/1995	Butler et al.	395/126	5,603,053	2/1997	Gough et al.	395/825
5,455,858	10/1995	Lin	379/355	5,621,876	4/1997	Odam et al.	395/765
5,467,448	11/1995	Hilton et al.	395/148	5,621,878	4/1997	Owens et al.	395/326
5,488,685	1/1996	Palmer et al.	395/157	5,627,954	5/1997	McFarland	395/139
5,513,306	4/1996	Mills et al.	395/148	5,634,102	5/1997	Capps	395/334
5,537,529	7/1996	Borovoy et al.	395/155	5,638,501	6/1997	Gough et al.	395/135
5,555,357	9/1996	Fernandes et al.	395/141	5,644,334	7/1997	Jones et al.	345/119
5,559,942	9/1996	Gough et al.	395/155	5,652,714	7/1997	Peterson et al.	364/550
5,566,295	10/1996	Cypher et al.	395/161	5,652,876	7/1997	Ashe et al.	395/500
				5,703,627	12/1997	Young	345/199

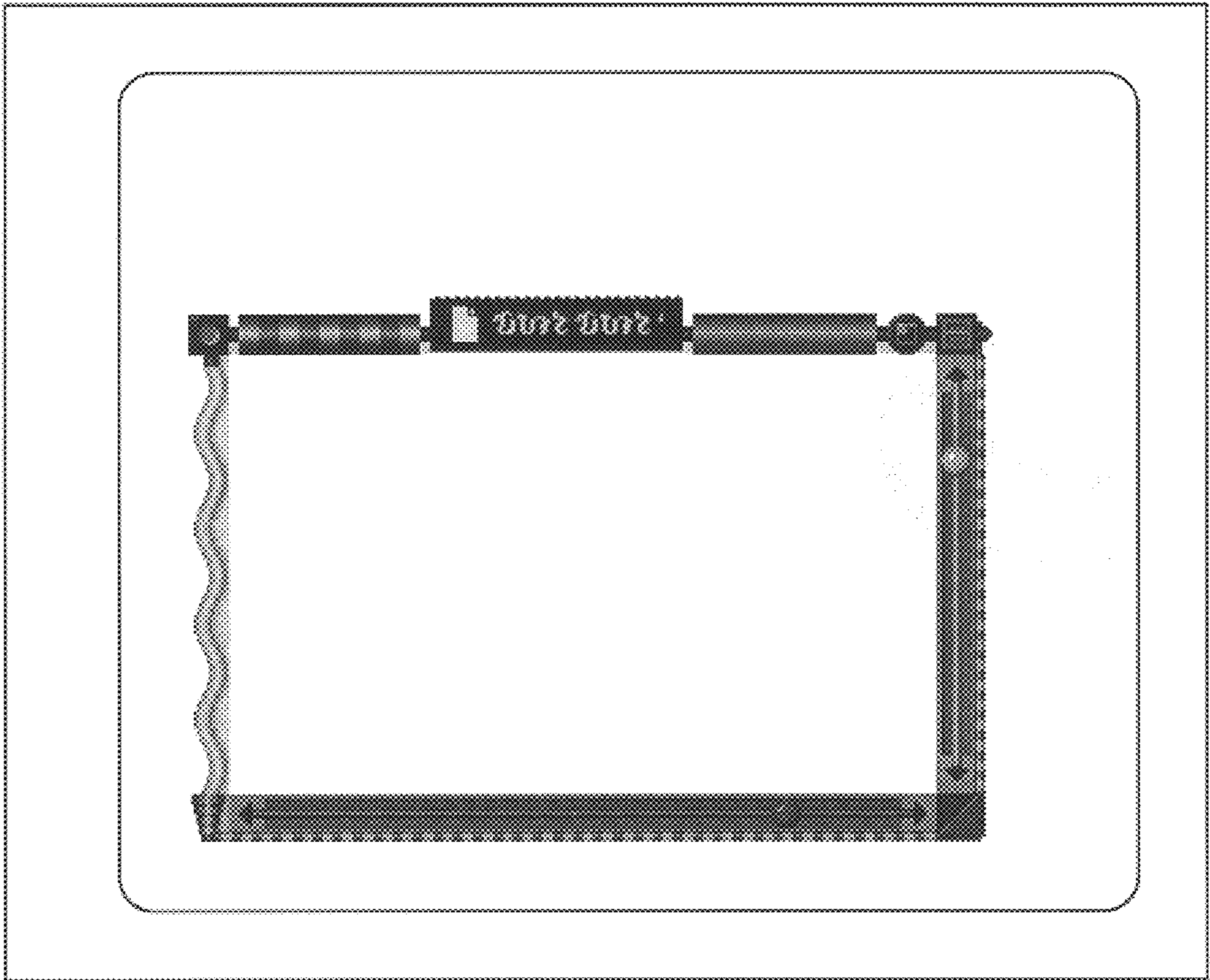


FIG. 1

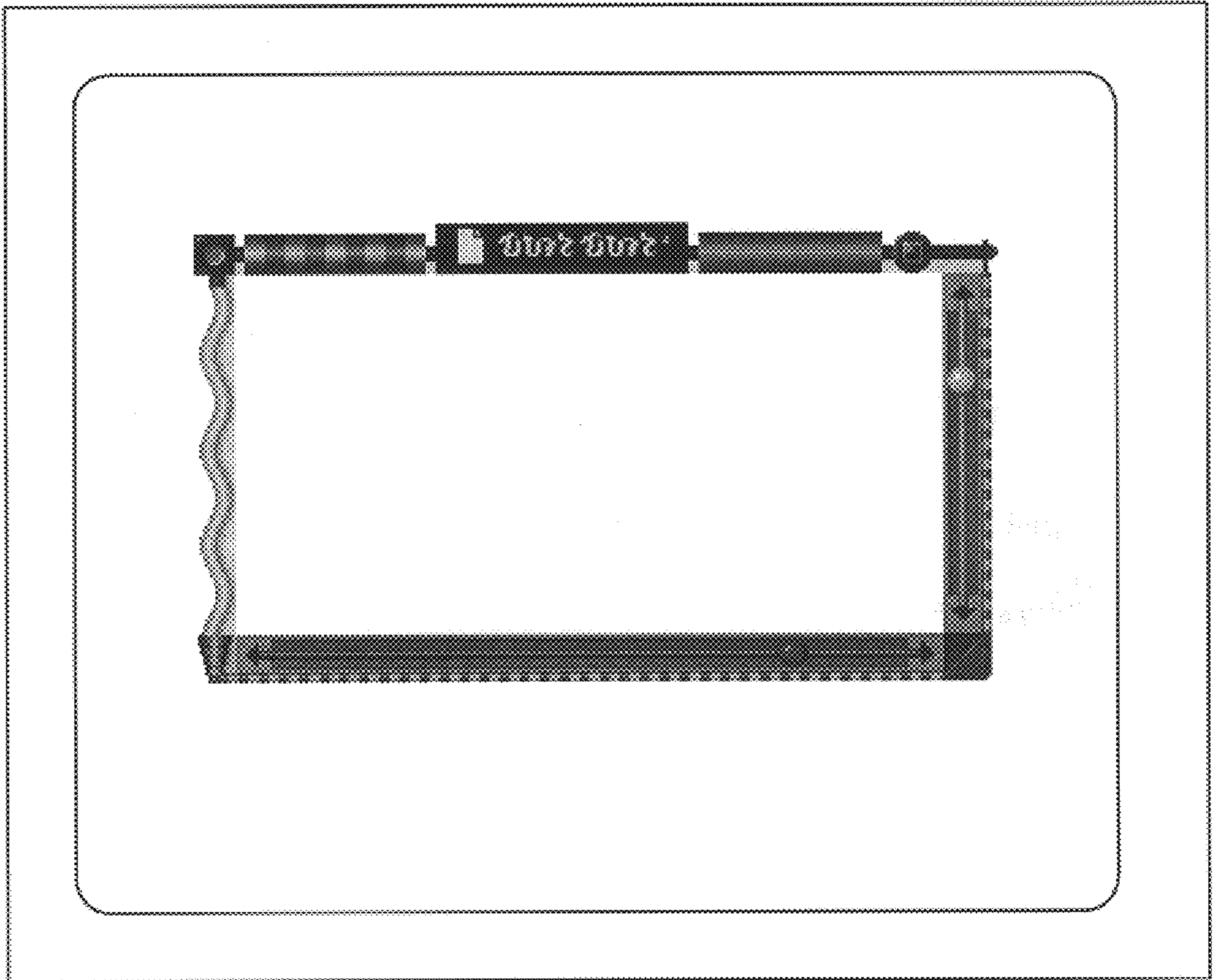


FIG. 2

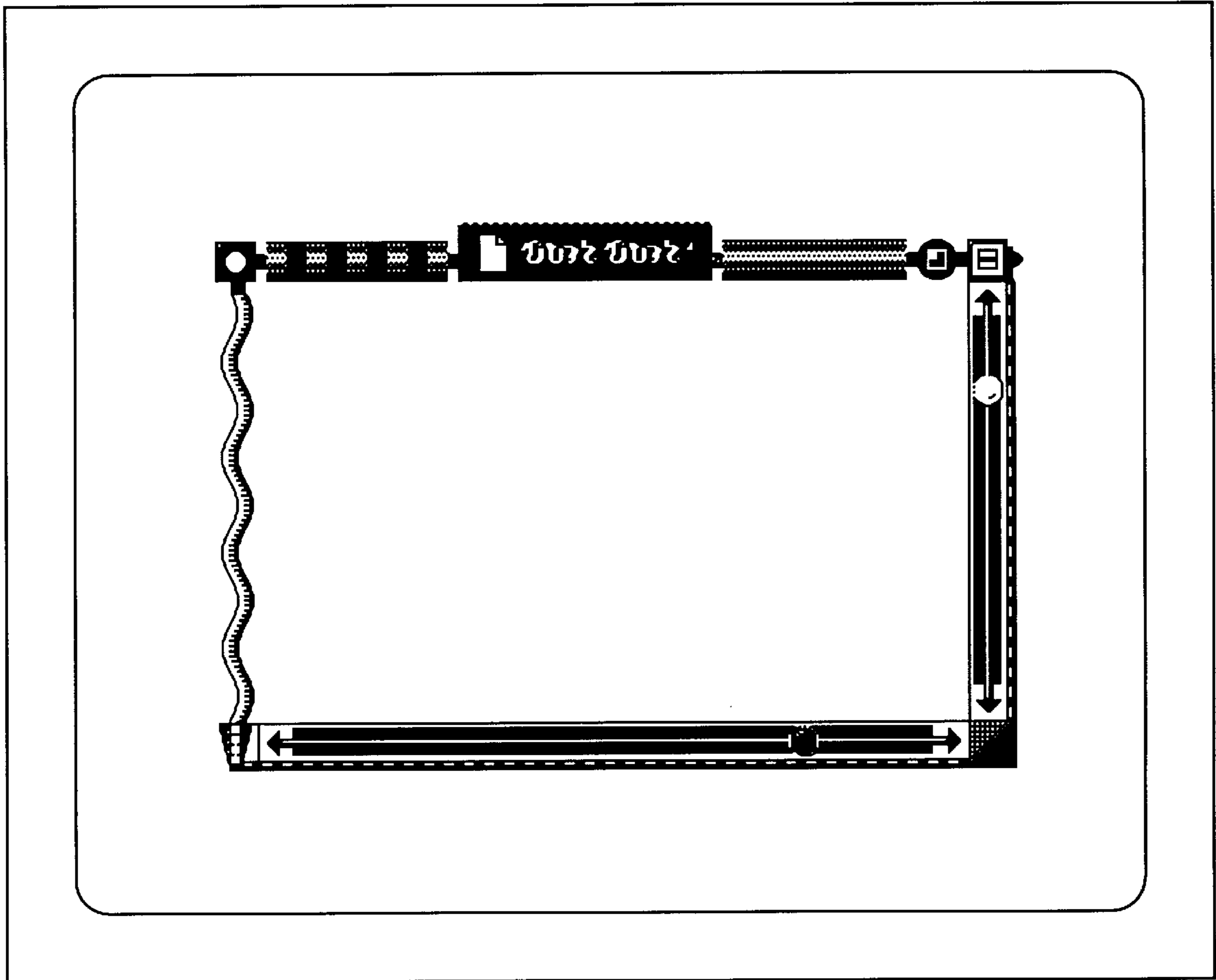


FIG. 3

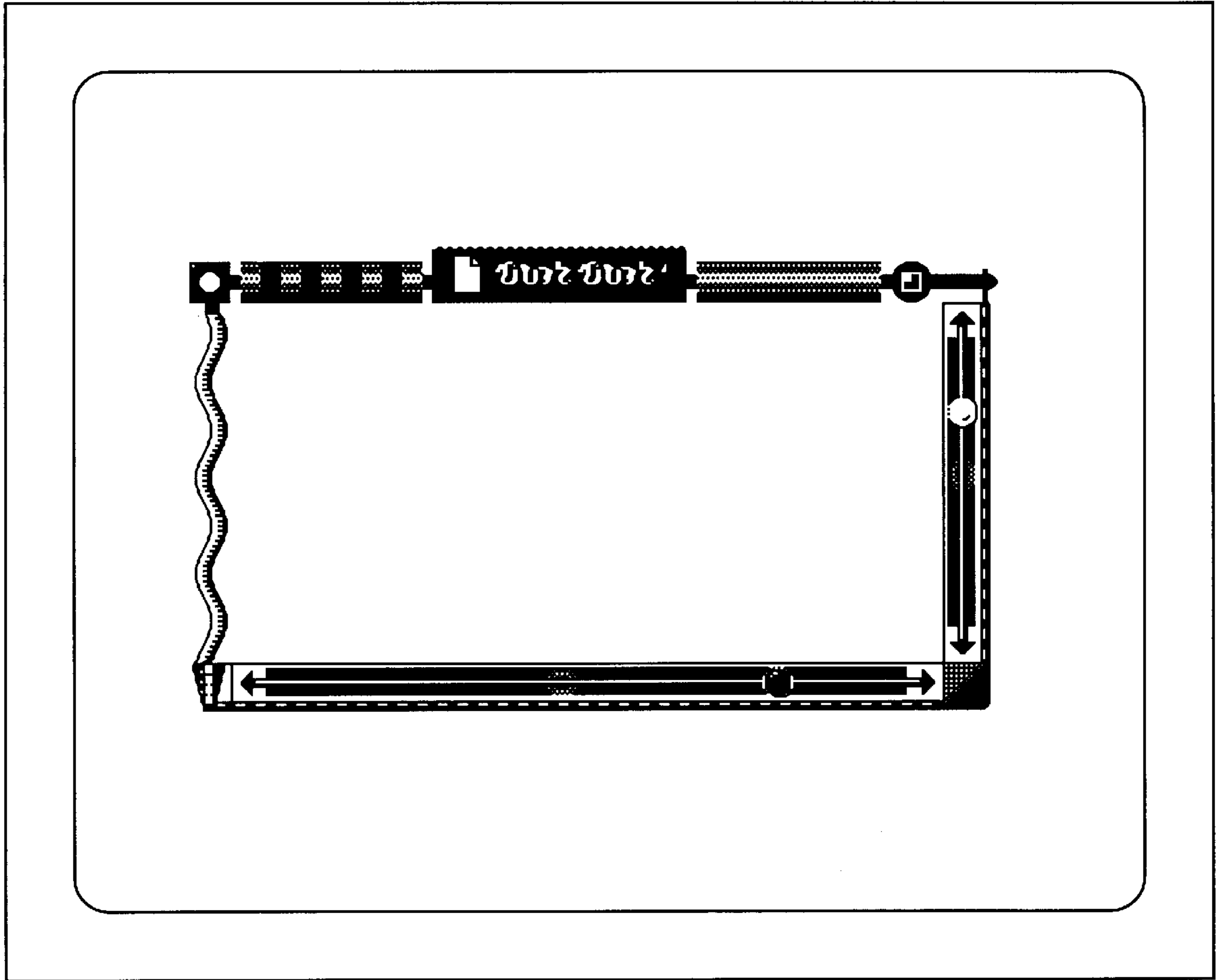


FIG. 4

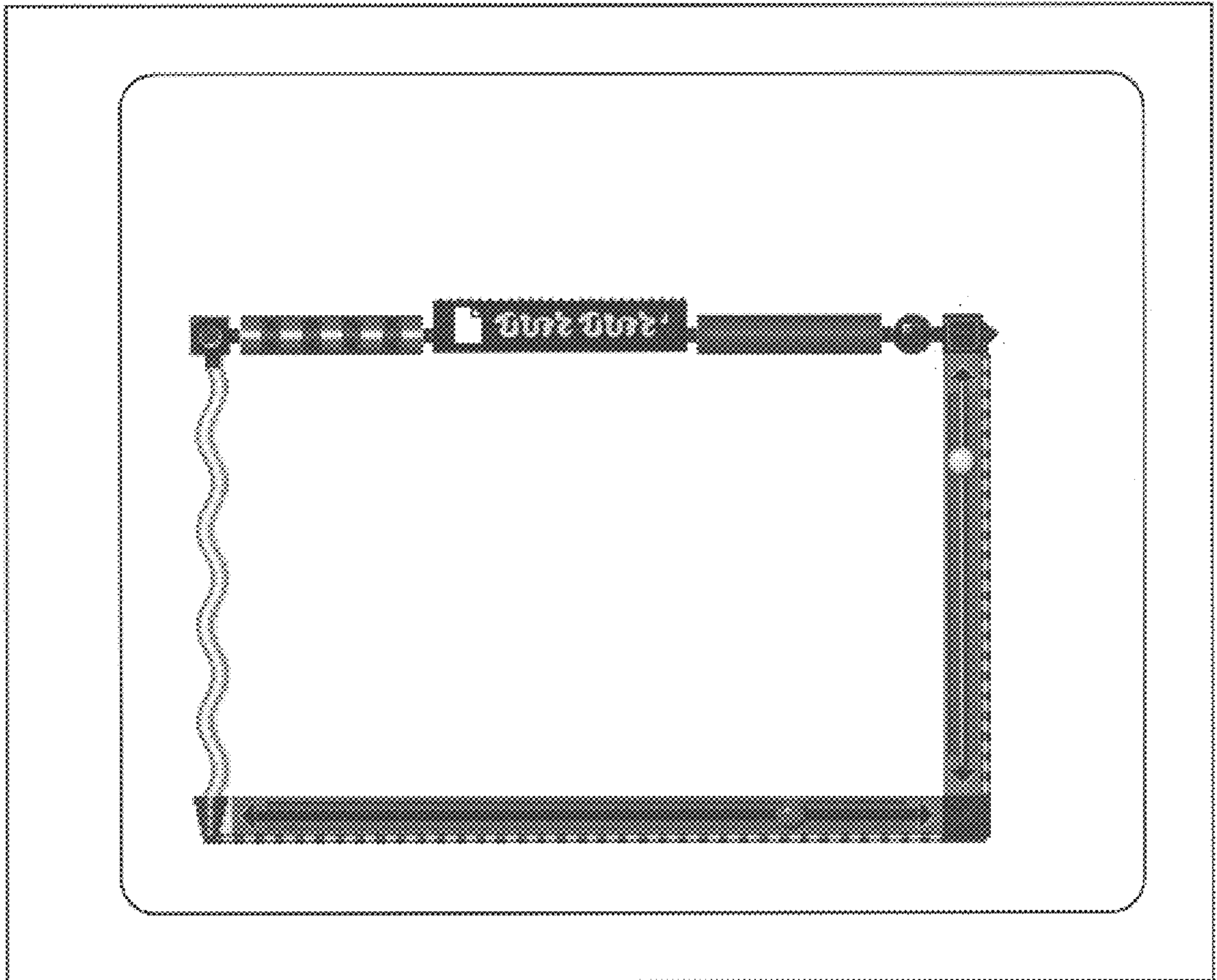


FIG. 5

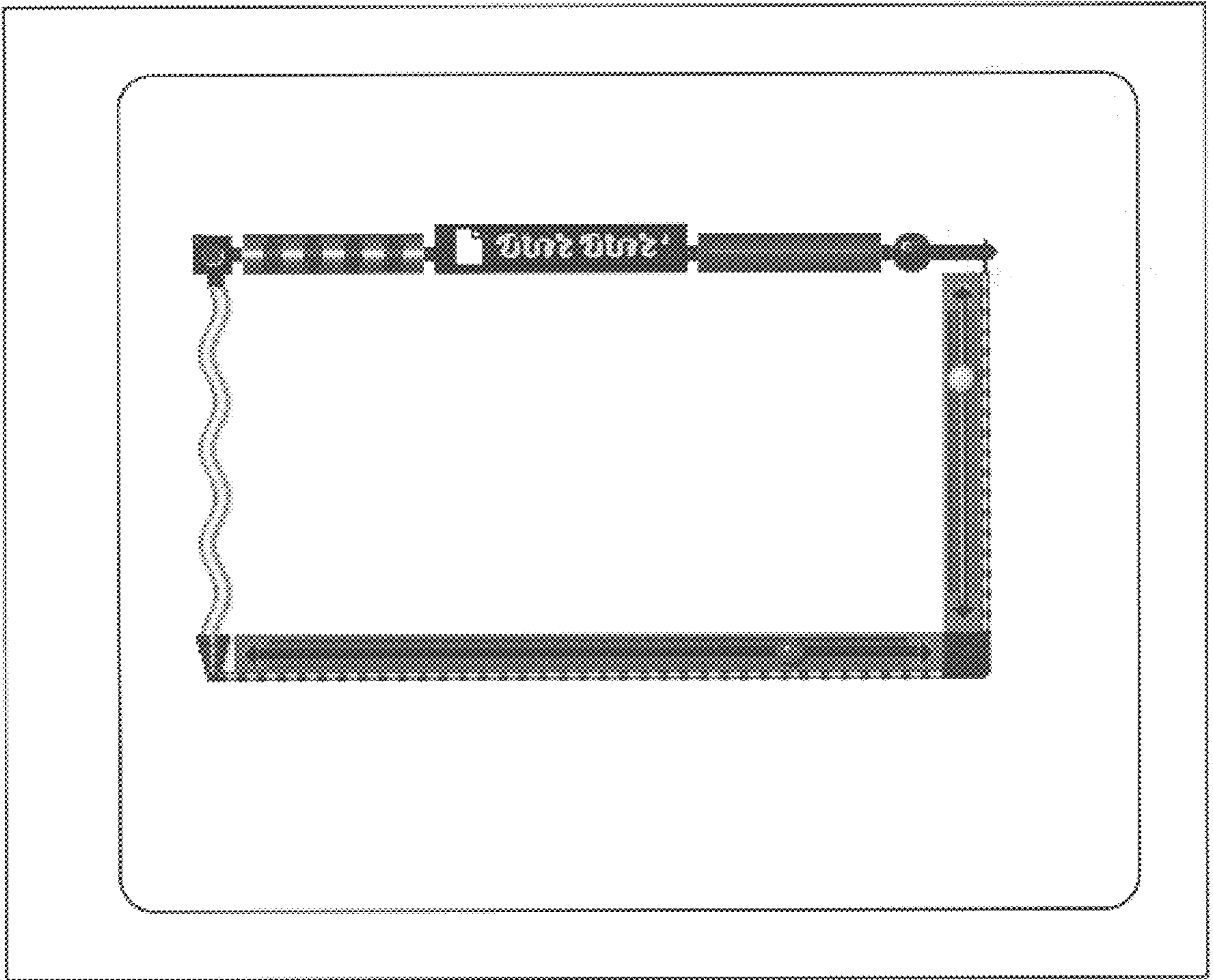


FIG. 6