



US00D431036S

United States Patent [19]

[11] **Patent Number: Des. 431,036**

Chapman et al.

[45] **Date of Patent: ** Sep. 19, 2000**

[54] **COMPACT DISC PIC**

[75] Inventors: **Marcia L. Chapman**, Chicago;
Gregory E. Severino, Downers Grove,
both of Ill.

[73] Assignee: **Florists' Transworld Delivery, Inc.**,
Downers Grove, Ill.

[**] Term: **14 Years**

[21] Appl. No.: **29/104,387**

[22] Filed: **May 4, 1999**

[51] **LOC (7) Cl.** **14-01**

[52] **U.S. Cl.** **D14/260; D20/41**

[58] **Field of Search** **D14/156, 260,**
D14/299; D20/10, 41, 43; 40/606, 607;
248/558

901,137	10/1908	Willis .	
1,674,005	6/1928	Eschenbach .	
1,822,787	2/1931	Slawson .	
1,979,932	11/1934	Beckett .	
2,563,159	8/1951	Clark .	
2,639,524	5/1953	Irving .	
2,791,851	5/1957	Richter	40/606
4,304,059	12/1981	Tisbo et al. .	
4,393,622	7/1983	Gallo, Sr. .	
4,726,132	2/1988	Ernest	50/606
5,735,075	4/1998	Honkawa et al. .	

Primary Examiner—Nanda Bondade
Attorney, Agent, or Firm—Bruce A. Tassan

[57] **CLAIM**

The ornamental design for a compact disc pic, as shown and described.

DESCRIPTION

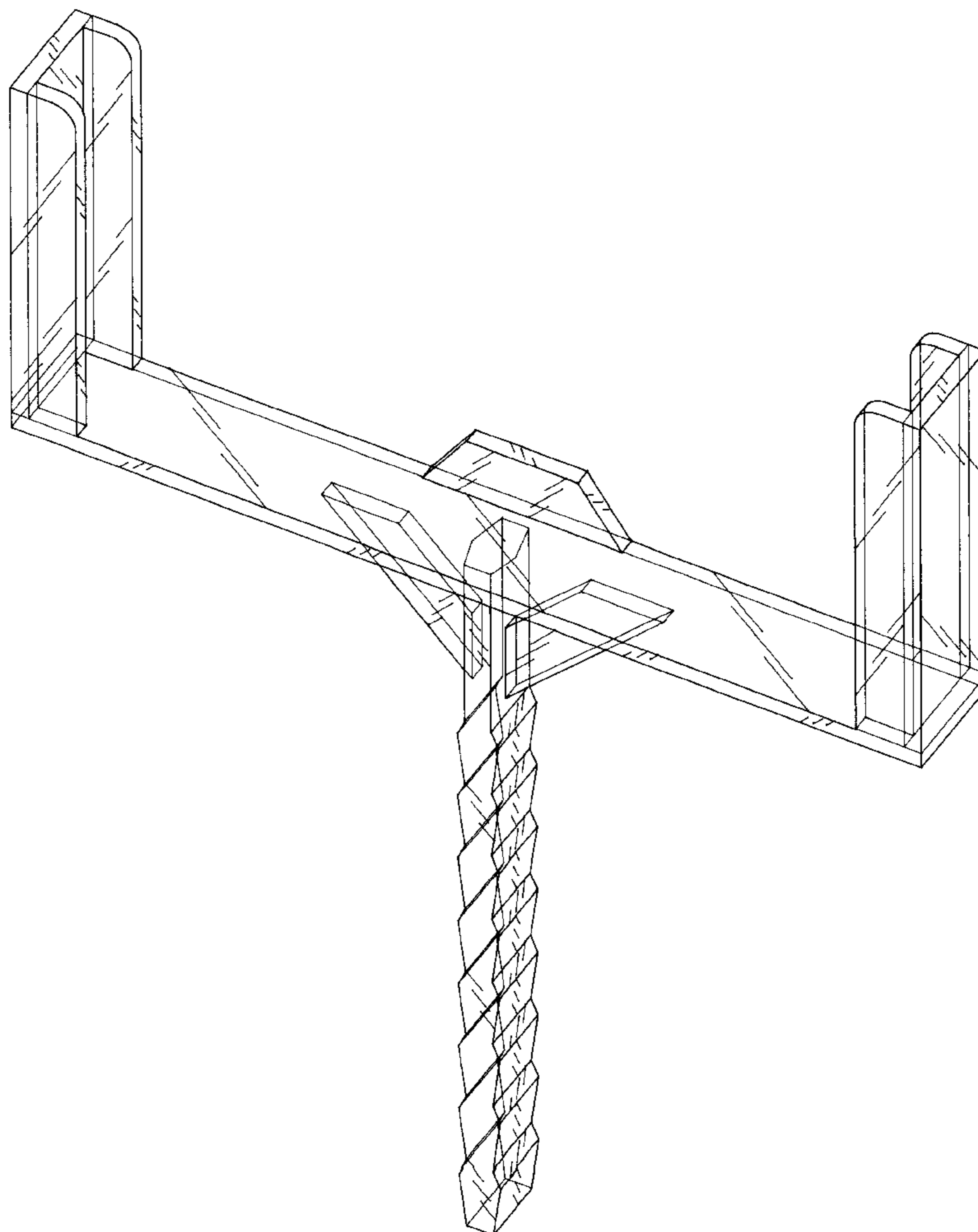
FIG. 1 is a perspective view of a compact disc pic showing our new design.
FIG. 2 is a front and back elevational view thereof.
FIG. 3 is a left elevational view thereof.
FIG. 4 is a right elevational view thereof.
FIG. 5 is a top plan view thereof; and,
FIG. 6 is a bottom plan view thereof.

[56] **References Cited**

U.S. PATENT DOCUMENTS

D. 186,779	12/1959	Borin .	
D. 237,994	12/1975	Davis	D20/41
D. 249,192	8/1978	Boecher, Jr.	D20/41
D. 265,746	8/1982	Robillard	D20/41
D. 342,285	12/1993	Boyar .	

1 Claim, 4 Drawing Sheets



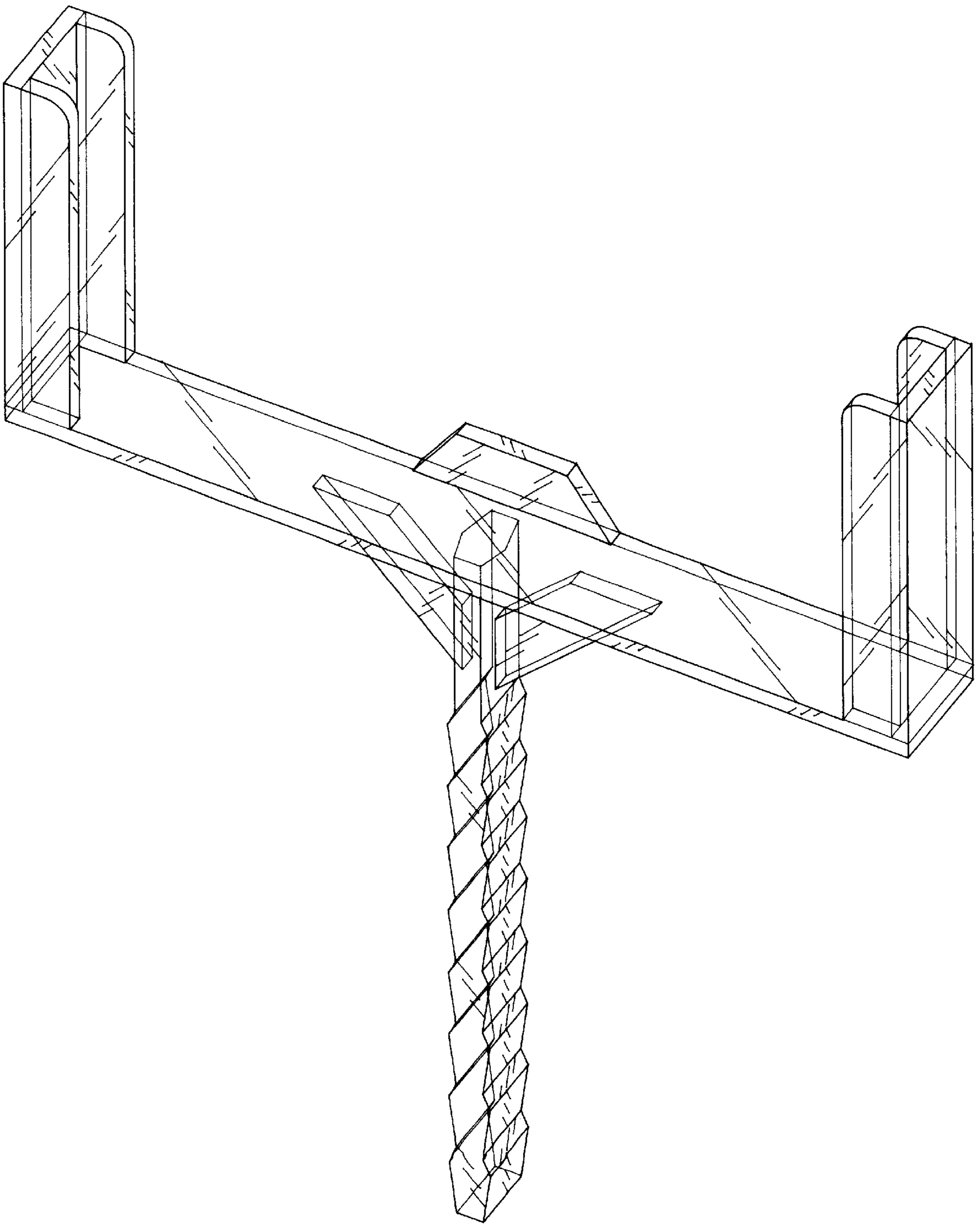


FIG. 1

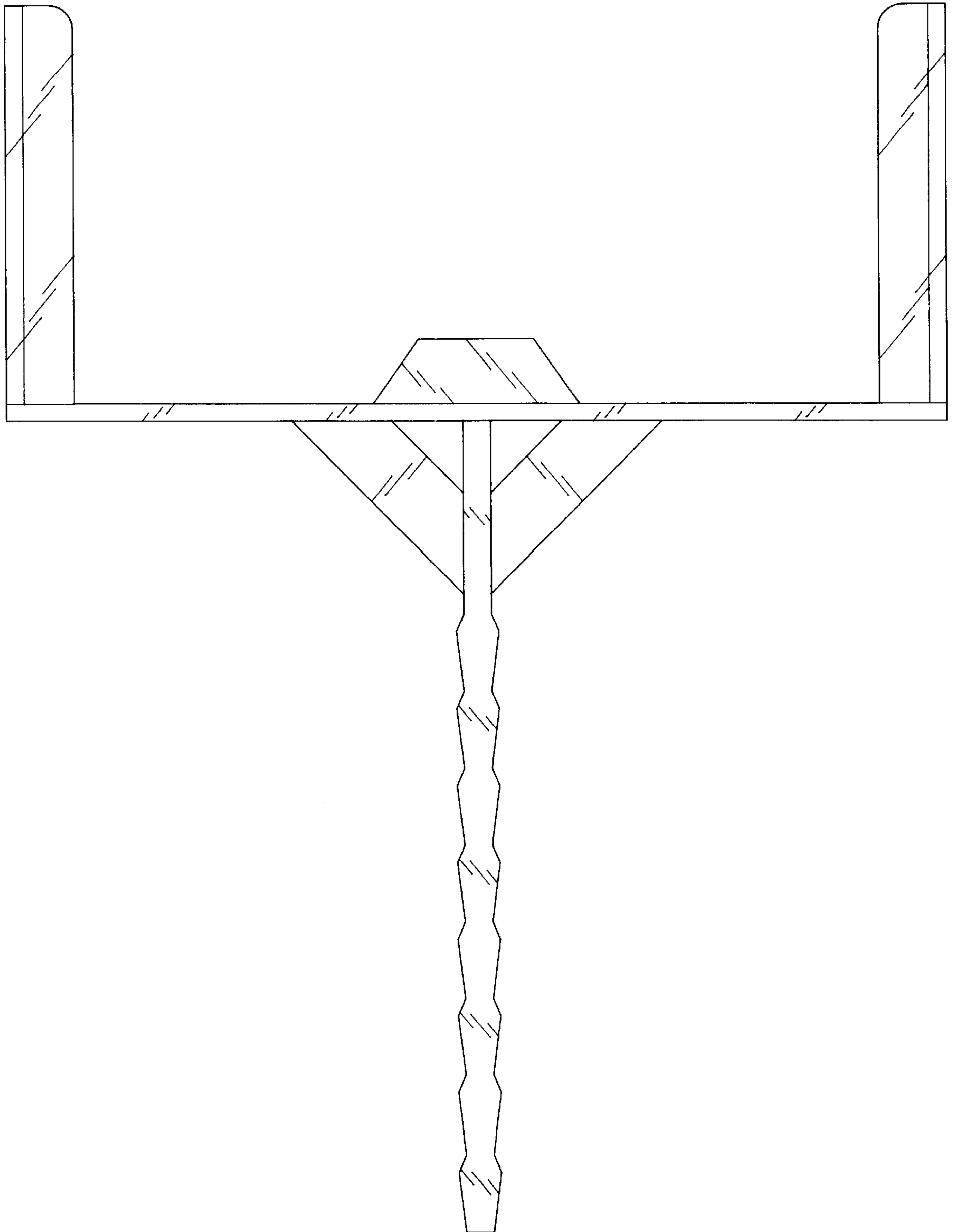


FIG. 2

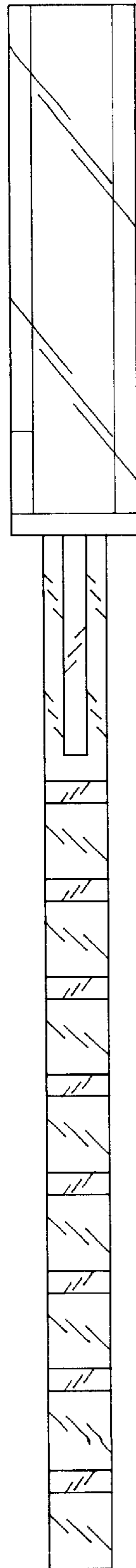


FIG. 3

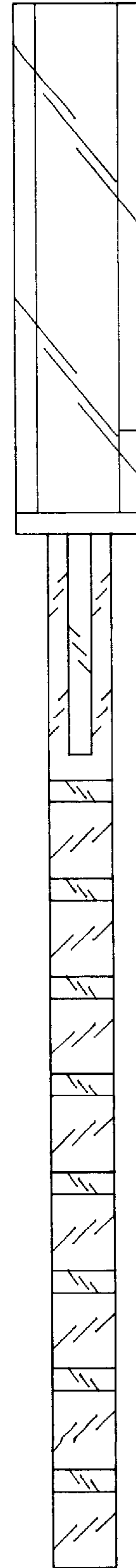


FIG. 4

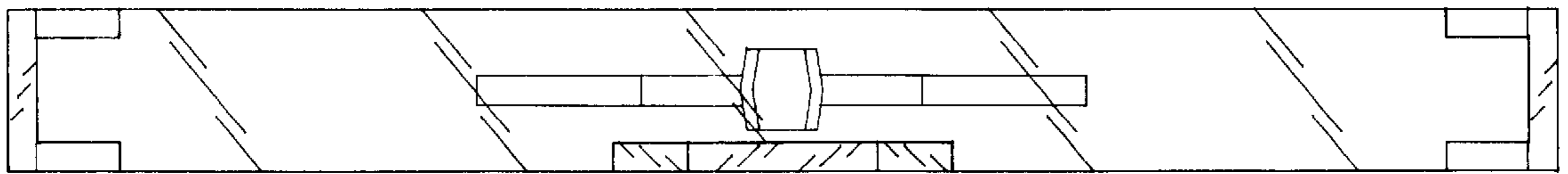


FIG. 5

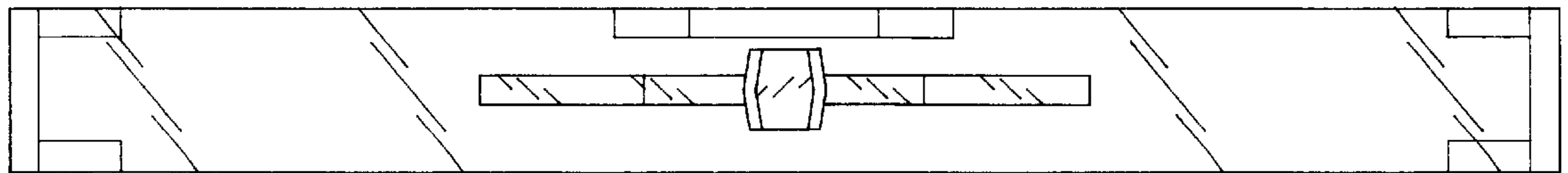


FIG. 6