



US00D431035S

United States Patent [19] Lehtomäki

[11] **Patent Number: Des. 431,035**
[45] **Date of Patent: ** Sep. 19, 2000**

[54] **CARD PHONE**

[75] Inventor: **Eeva Lehtomäki**, Helsinki, Finland

[73] Assignee: **Nokia Mobile Phones Limited**, Espoo, Finland

[**] Term: **14 Years**

[21] Appl. No.: **29/109,340**

[22] Filed: **Aug. 12, 1999**

[30] Foreign Application Priority Data

Feb. 12, 1999 [FI] Finland M19990127

[51] **LOC (7) Cl.** **14-03**

[52] **U.S. Cl.** **D14/242; D14/436**

[58] **Field of Search** D14/191, 140, D14/142, 107, 114, 240, 242, 137, 435, 436; 361/686; 379/419, 420, 428, 440, 441, 442; 455/550-575, 90; 439/131

[56] References Cited

U.S. PATENT DOCUMENTS

- D. 321,690 11/1991 Brenda et al. D14/191
- D. 321,691 11/1991 Brenda et al. D14/191
- D. 321,878 11/1991 Brenda et al. D14/191
- D. 345,980 4/1994 Scheid et al. D14/191
- D. 354,280 1/1995 Fenton D14/107
- D. 355,173 2/1995 Fenton et al. D14/107
- D. 355,412 2/1995 Rak et al. D14/107

- D. 361,332 8/1995 Scheid et al. D14/191
- D. 367,653 3/1996 Tajima D14/191
- D. 371,770 7/1996 Larson et al. 455/557
- D. 378,085 2/1997 Kerklaan et al. D14/114
- D. 411,202 6/1999 Flanagan, III et al. D14/242
- D. 415,479 10/1999 Yang et al. D14/114
- 5,336,099 8/1994 Aldous et al. 439/131
- 5,338,210 8/1994 Beckham et al. 439/131
- 5,594,952 1/1997 Virtuoso et al. 455/557
- 5,608,607 3/1997 Dittmer 361/686
- 5,913,174 6/1999 Casarez et al. 455/557
- 5,940,275 8/1999 Laity 361/737
- 6,007,195 12/1999 Kokubo 347/108

Primary Examiner—Jeffrey Asch
Attorney, Agent, or Firm—Brian T. Rivers

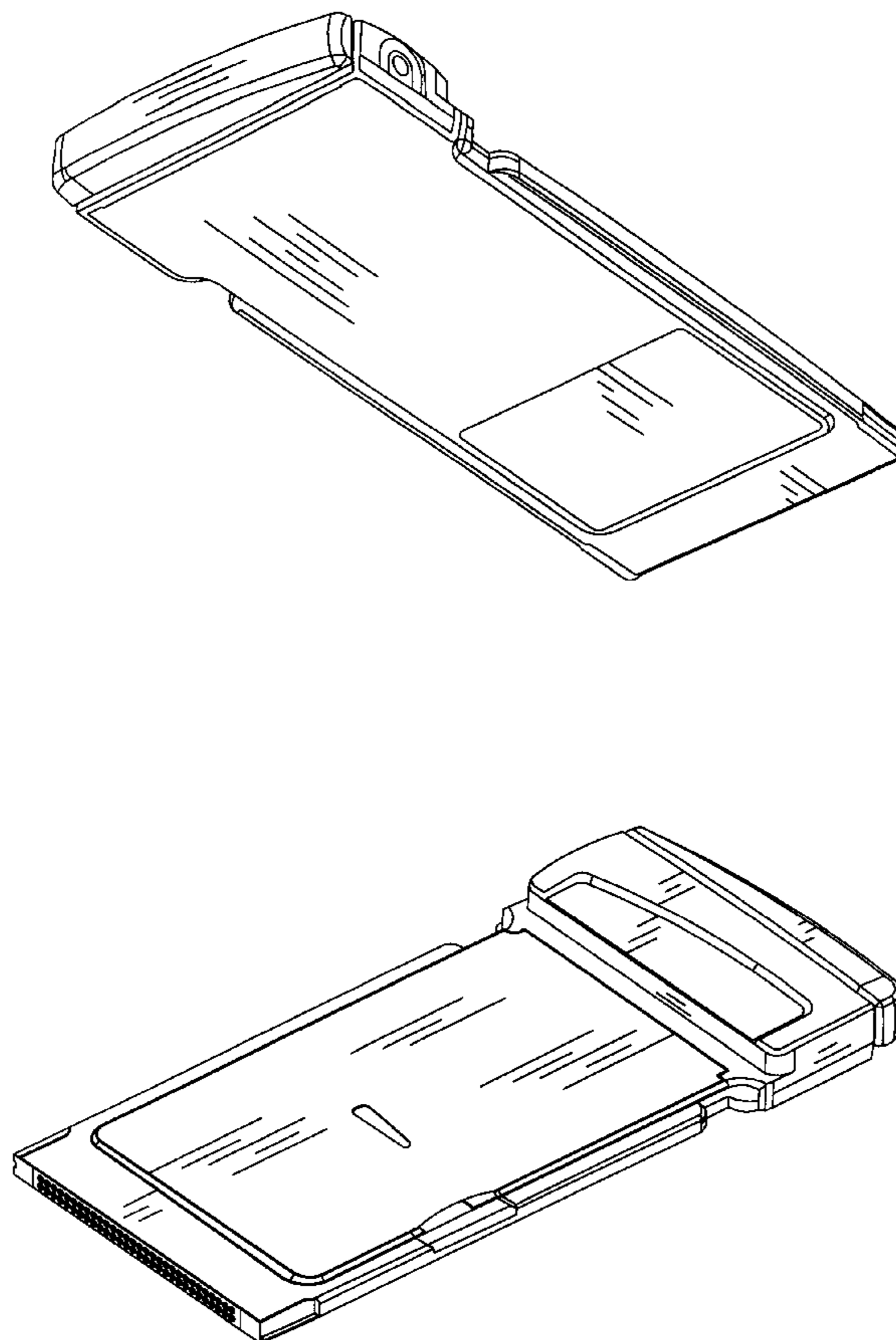
[57] CLAIM

The ornamental design for a card phone, as shown and described.

DESCRIPTION

FIG. 1 is a bottom plan view of the card phone; FIG. 2 is a right side, elevational view thereof; FIG. 3 is a front elevational view thereof; FIG. 4 is a left side, elevational view thereof; FIG. 5 is a top plan view thereof; FIG. 6 is a rear elevational view thereof; FIG. 7 is a top, left, rear elevational view thereof; and, FIG. 8 is a bottom, right, front perspective view thereof.

1 Claim, 3 Drawing Sheets



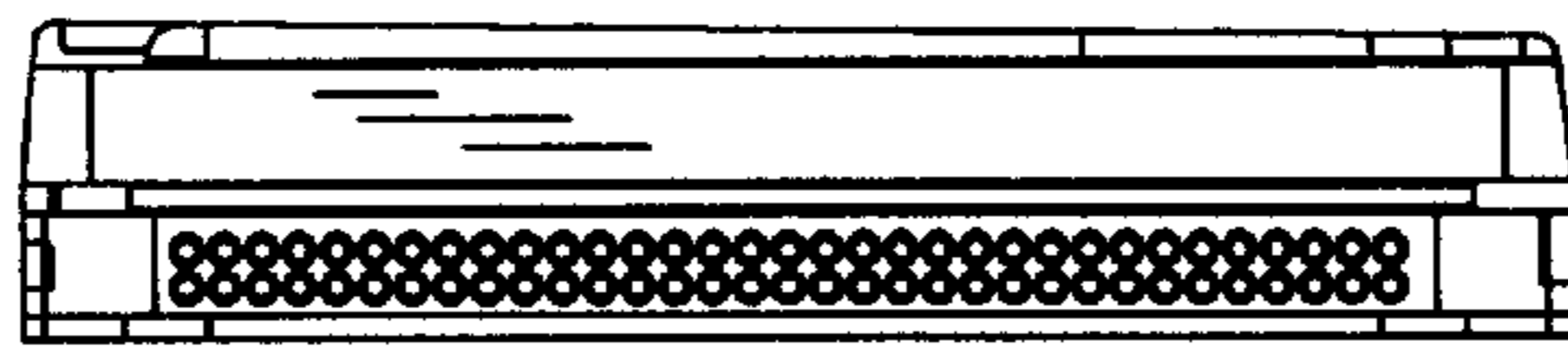


FIG. 1



FIG. 2

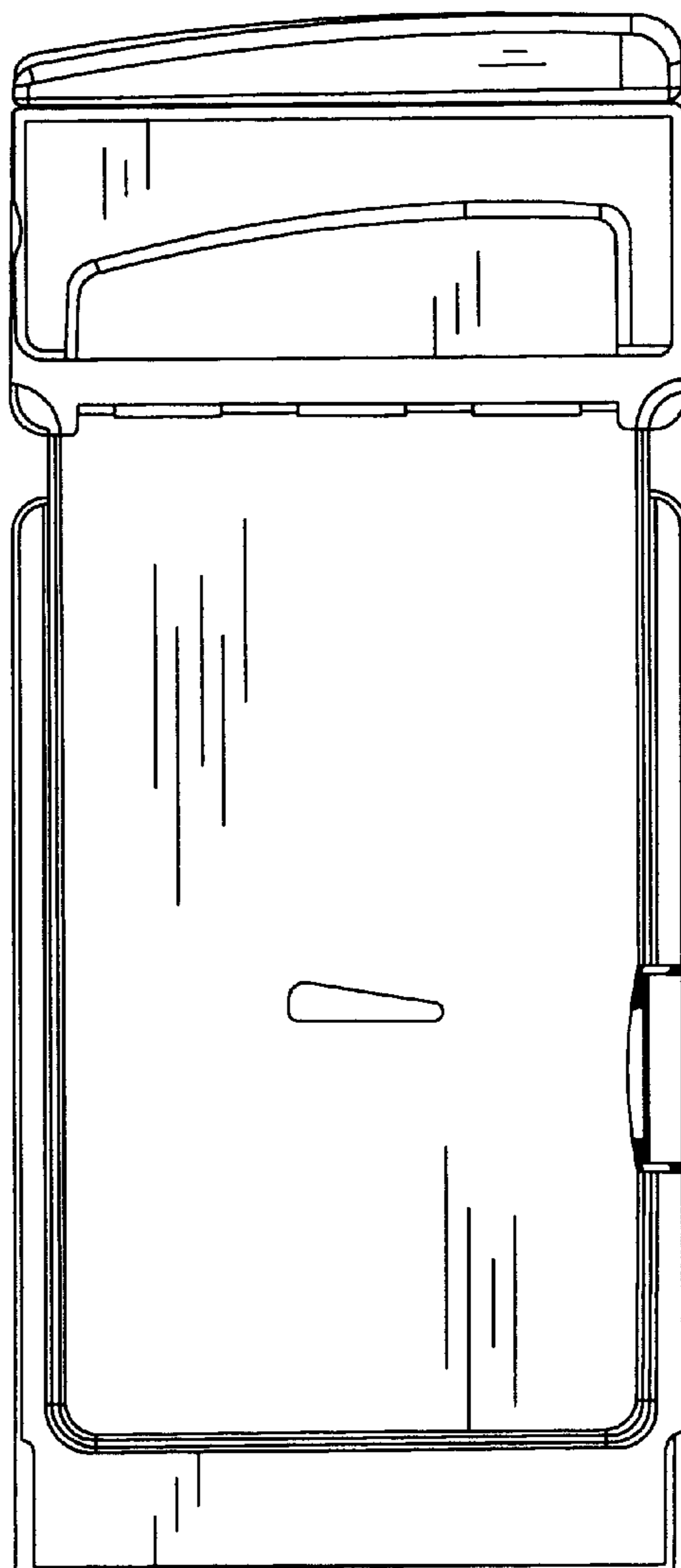


FIG. 3

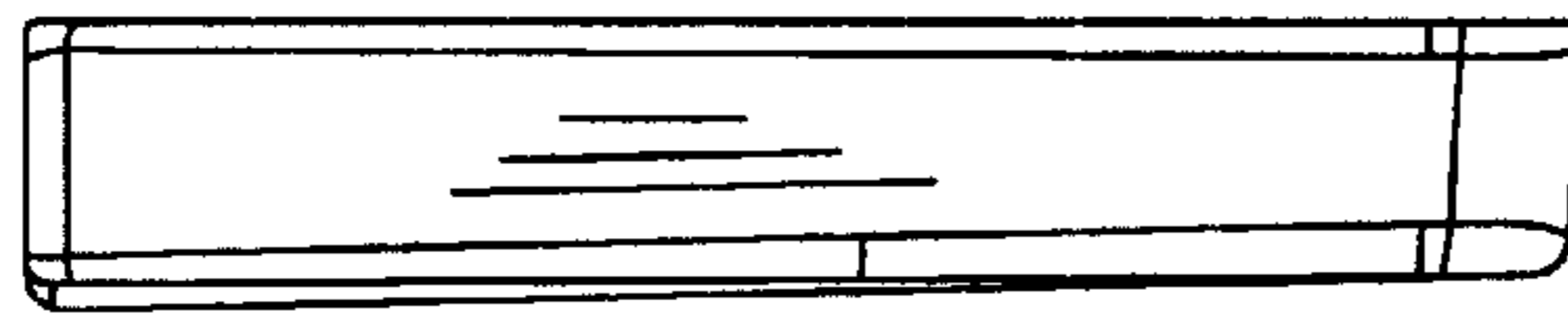


FIG. 5



FIG. 4

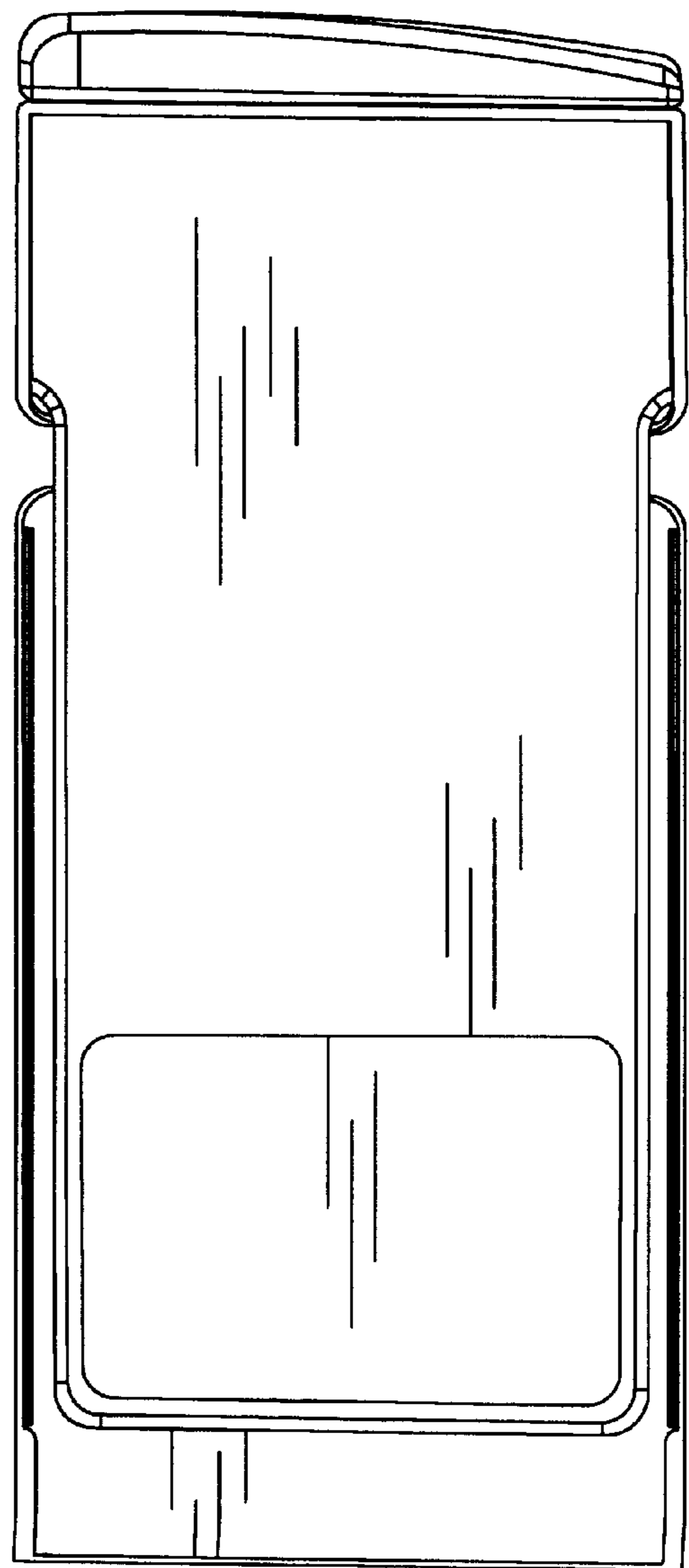


FIG. 6

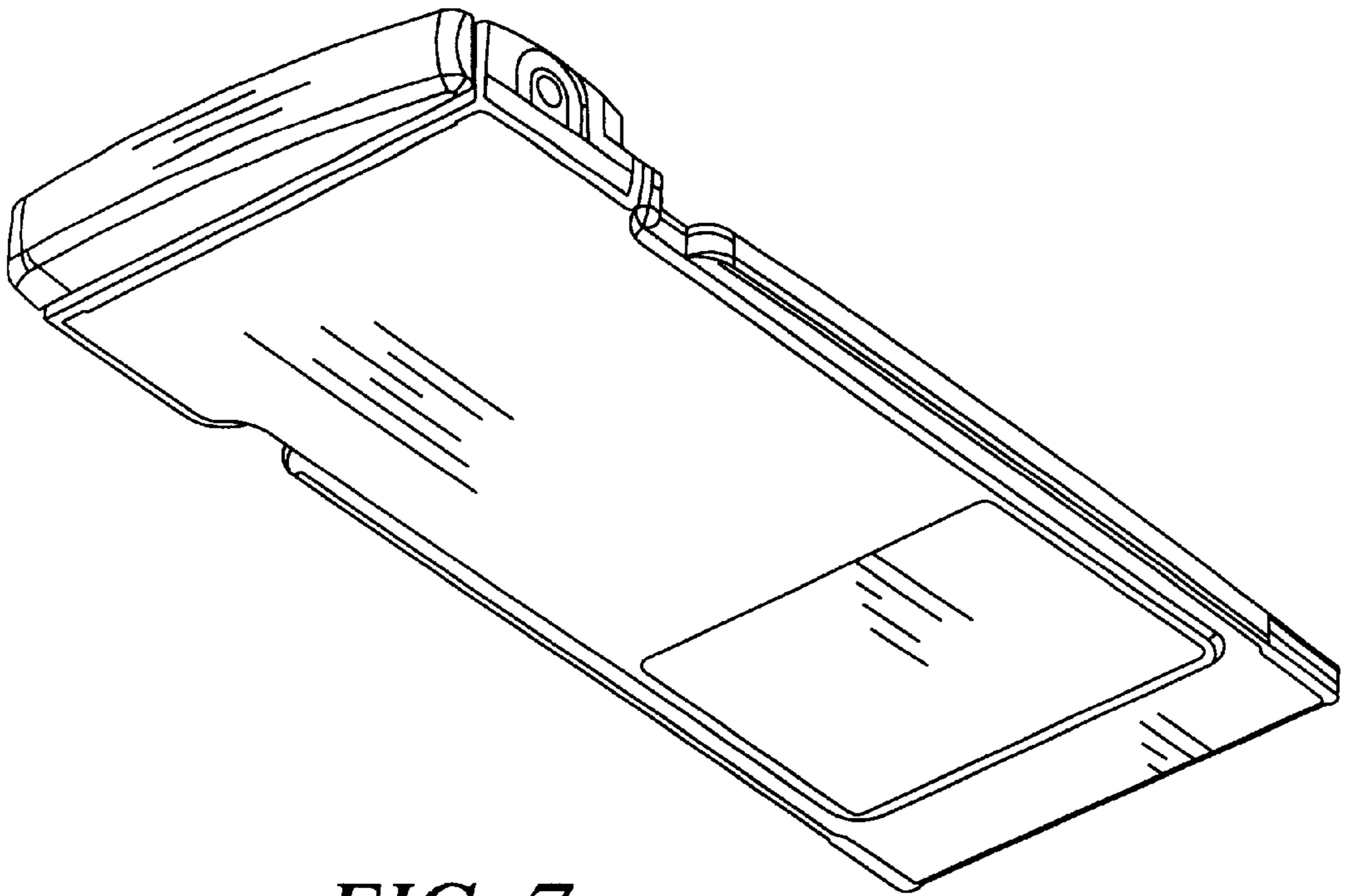


FIG. 7

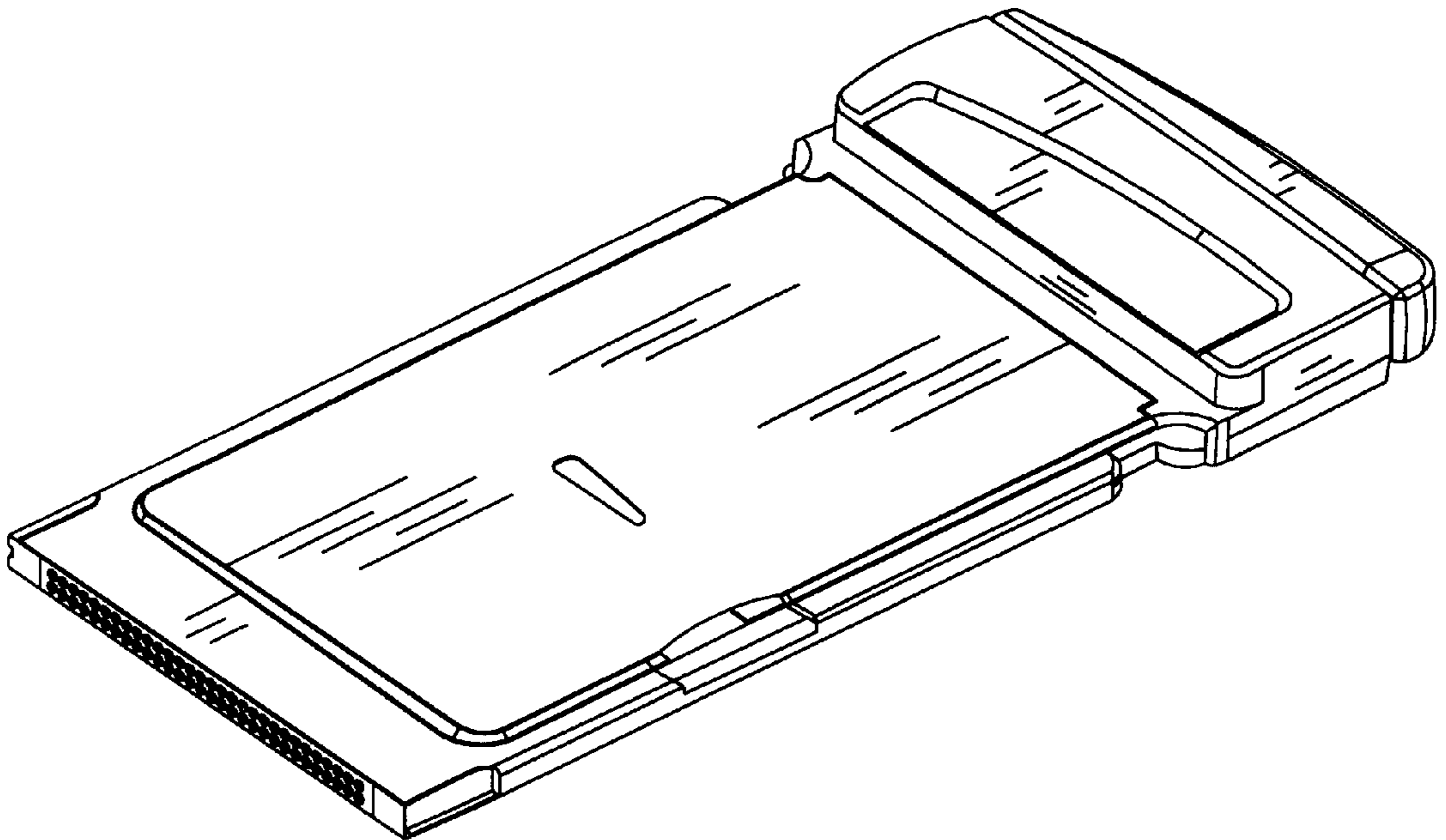


FIG. 8