



US00D431034S

United States Patent [19]

Crowe et al.

[11] Patent Number: **Des. 431,034**

[45] Date of Patent: **** Sep. 19, 2000**

[54] **BASE FOR CALLER ID DISPLAY**

[75] Inventors: **Clint Crowe**, Lakeside; **Alan Adamson**, San Diego, both of Calif.

[73] Assignee: **Teledex Corporation**, San Jose, Calif.

[**] Term: **14 Years**

[21] Appl. No.: **29/106,745**

[22] Filed: **Jun. 21, 1999**

[51] **LOC (7) Cl.** **14-03**

[52] **U.S. Cl.** **D14/240; D14/251**

[58] **Field of Search** D14/137, 138, D14/148, 147, 149-151, 140-142, 240, 100, 107, 352, 356-358, 114, 191, 351, 447; 379/433-436, 419, 420, 454, 455, 428, 440, 426, 142, 441, 442; D13/162, 164, 184; D10/2, 15; 455/550-575, 90; 349/58

[56] **References Cited**

U.S. PATENT DOCUMENTS

D. 247,822	5/1978	Hein et al.	D24/230
D. 349,501	8/1994	Fan	D14/240
D. 355,187	2/1995	Danielson et al.	D14/141
D. 370,911	6/1996	Mo	D14/149
D. 412,909	8/1999	Wang	D14/240
D. 418,516	1/2000	Shen et al.	D14/240
D. 420,009	2/2000	Dunn et al.	D14/240
D. 420,673	2/2000	Shen et al.	D14/240
4,292,474	9/1981	Morrell et al. .	
4,515,998	5/1985	Pinede et al.	379/454
4,517,420	5/1985	Haskins	379/426

4,741,033	4/1988	Utoh et al.	379/435
5,119,204	6/1992	Hashimoto et al.	349/58 X
5,121,427	6/1992	Gumb et al.	379/435
5,432,836	7/1995	Jarrett	379/435
6,019,338	2/2000	Brown et al.	379/435 X

Primary Examiner—Jeffrey Asch
Attorney, Agent, or Firm—Burns Doane Swecker & Mathis L.L.P.

[57] **CLAIM**

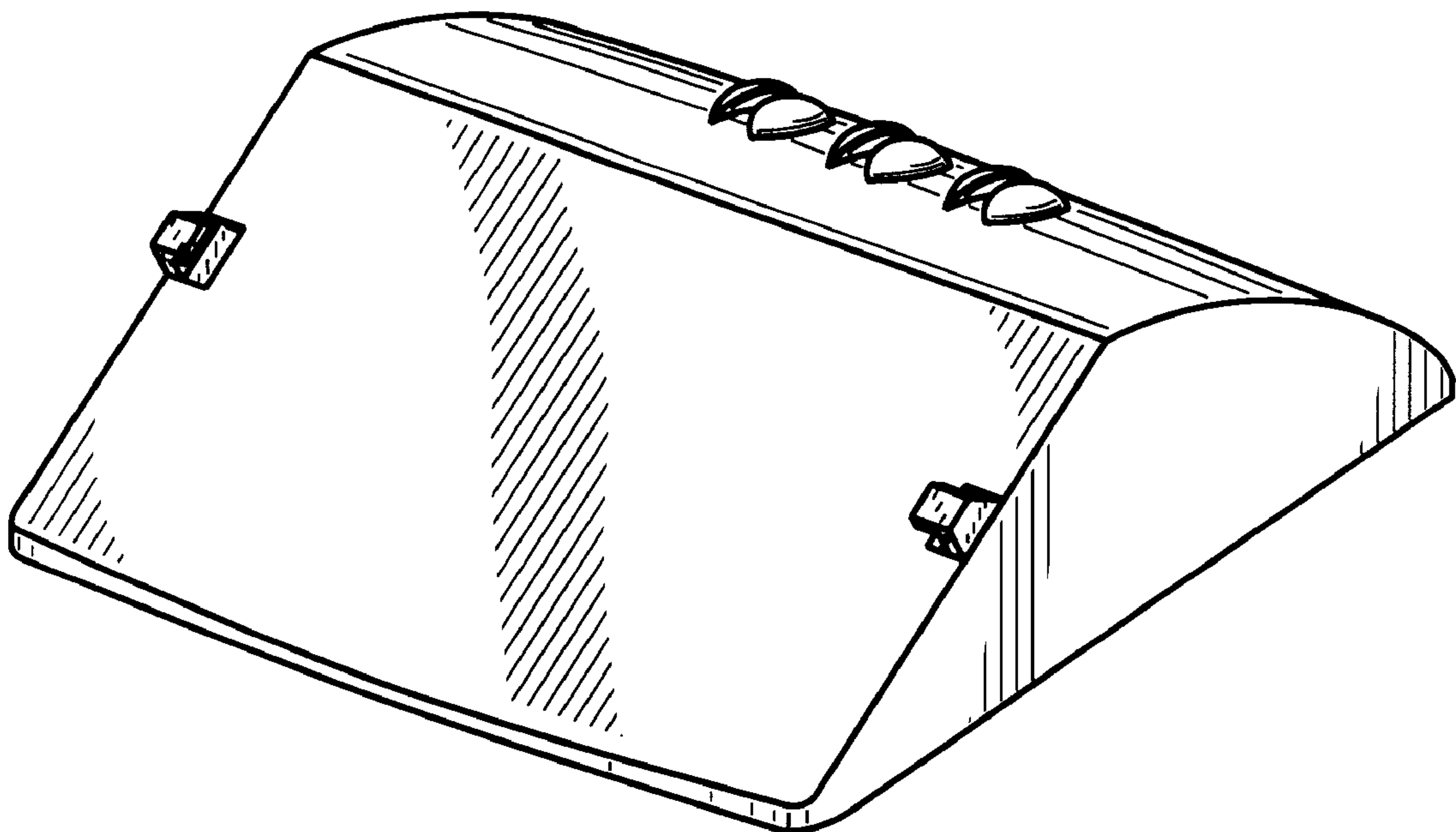
The ornamental design for a base for a caller ID display, as shown and described.

DESCRIPTION

FIG. 1 is a perspective view of the base for a caller ID display;
 FIG. 2 is a right side view thereof, the left-side view being a mirror image;
 FIG. 3 is a front view thereof;
 FIG. 4 is a back view thereof;
 FIG. 5 is a top view thereof;
 FIG. 6 is a perspective view of the base supporting a caller ID display in a first position;
 FIG. 7 is a right side view of the base supporting the caller ID display in the first position;
 FIG. 8 is a perspective view of the base supporting a caller ID display in a second position; and,
 FIG. 9 is a right side view of the base supporting the caller ID display in the second position.

The broken line showings in the views are for illustrative purposes only and form no part of the claimed design.
 The bottom surface is not a part of my claimed design.

1 Claim, 2 Drawing Sheets



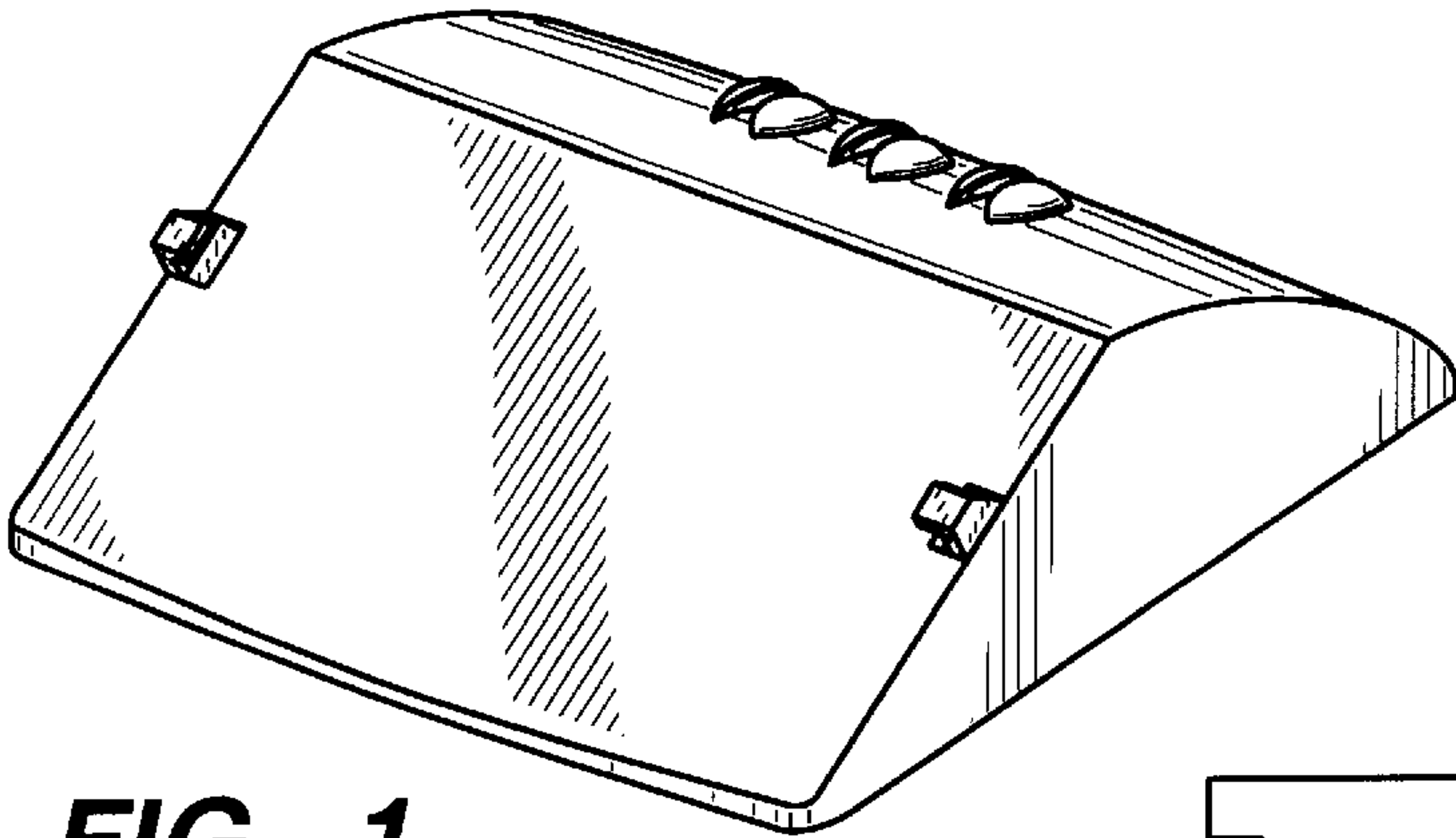


FIG._1

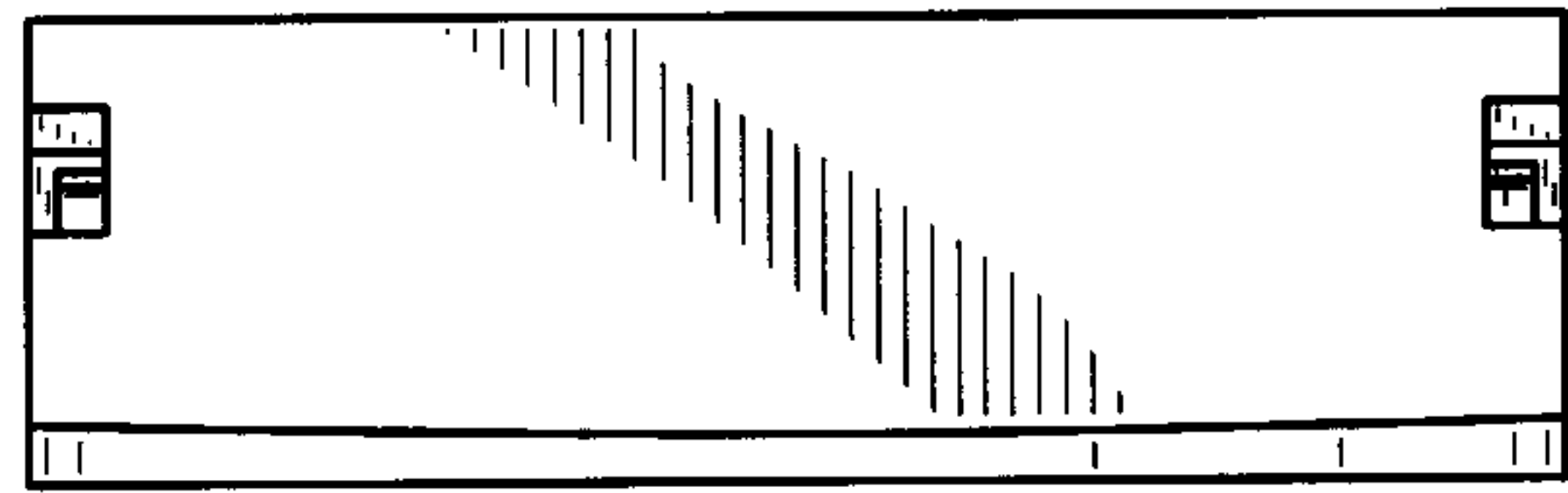


FIG._3

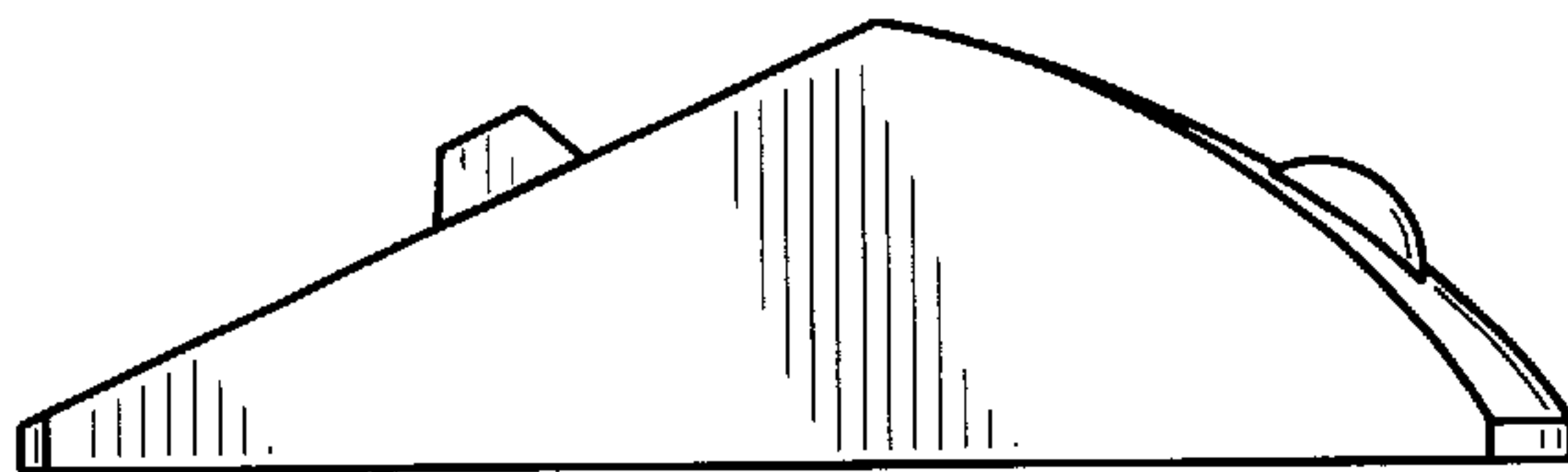


FIG._2

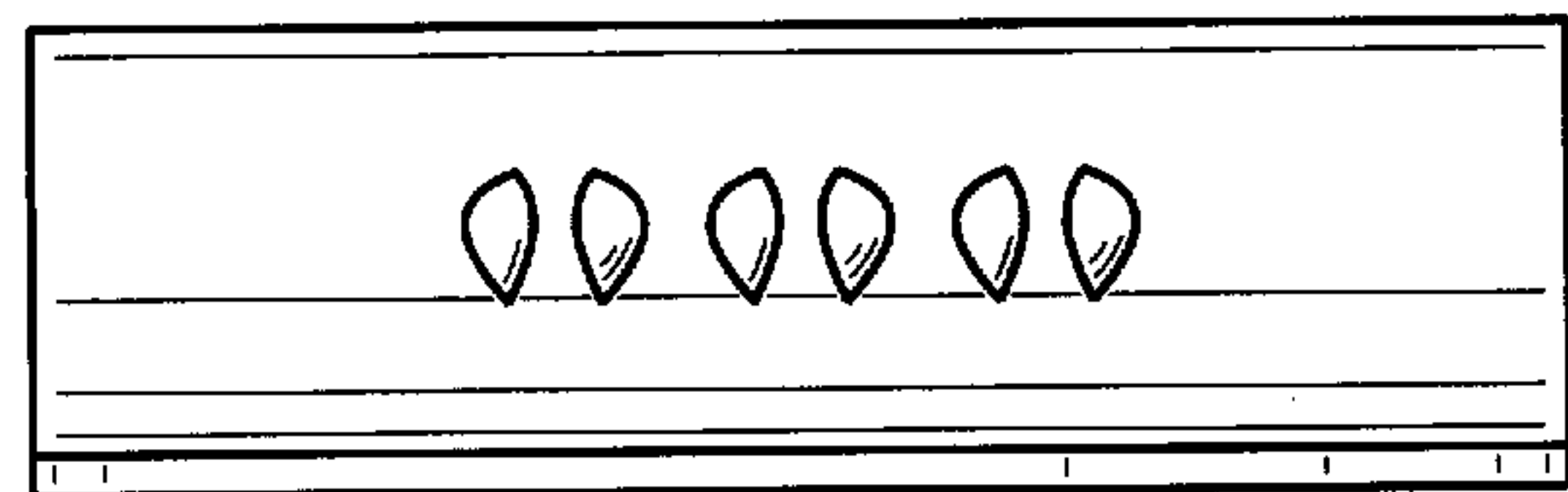


FIG._4

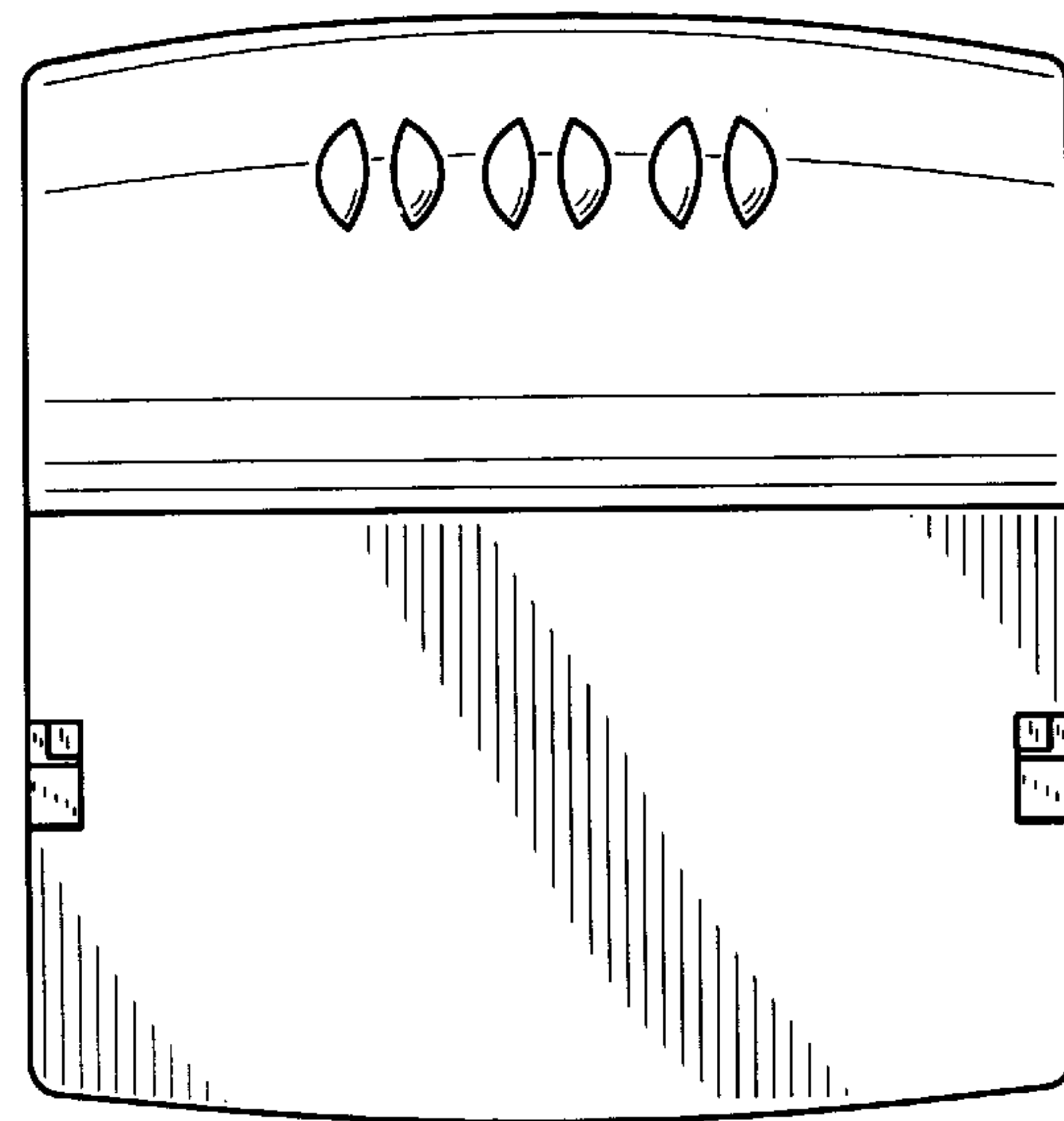


FIG._5

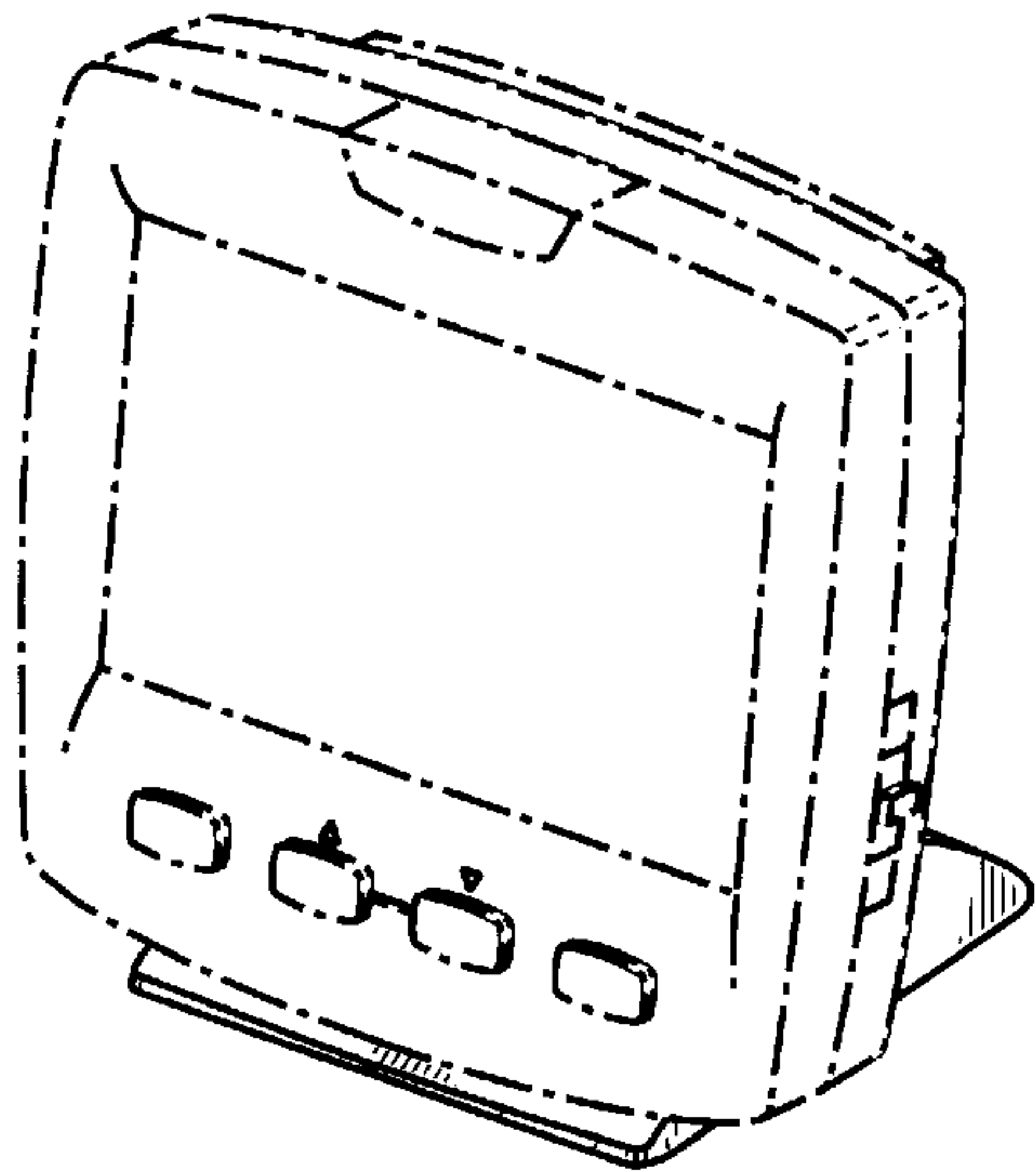


FIG._6

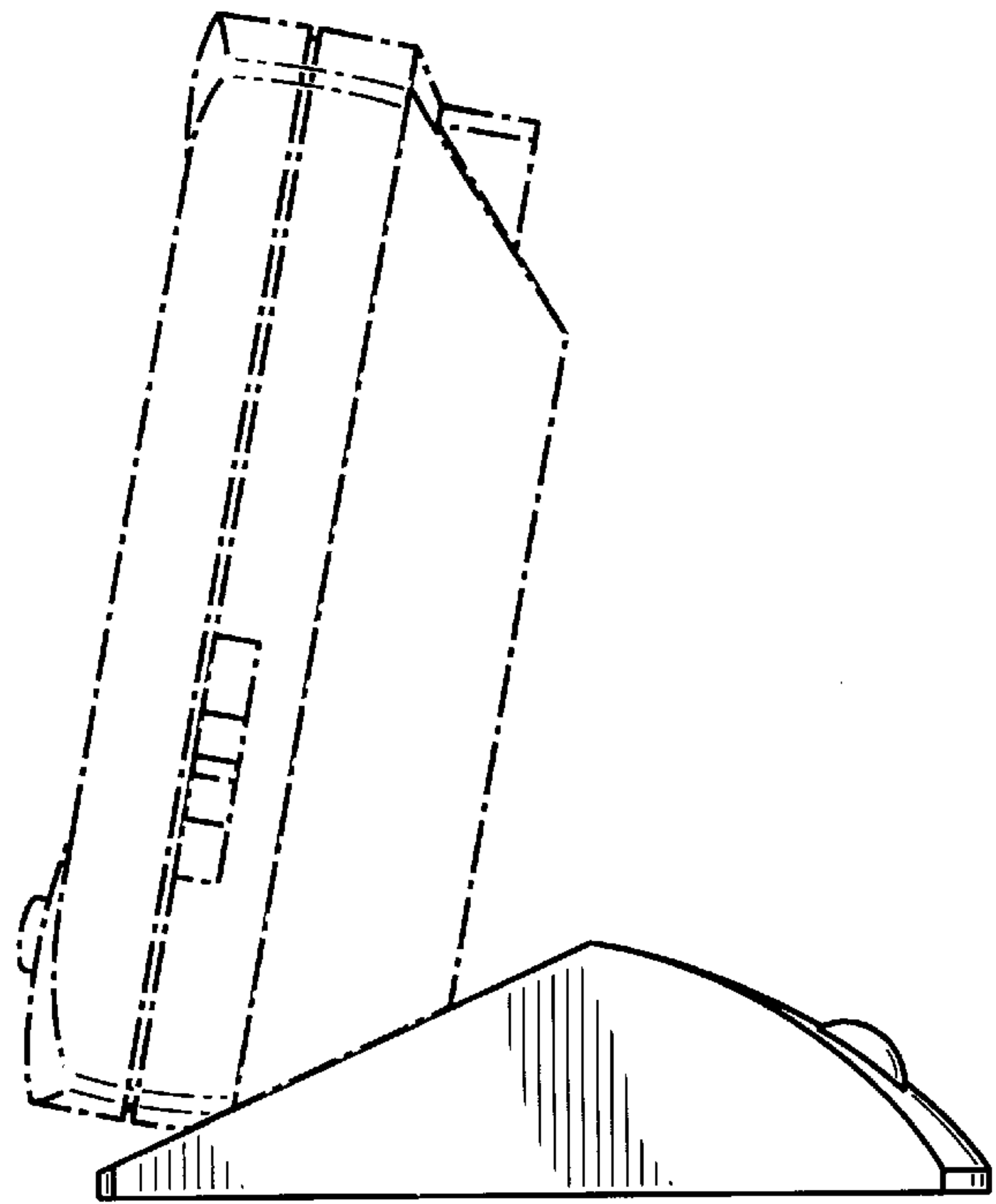


FIG._7

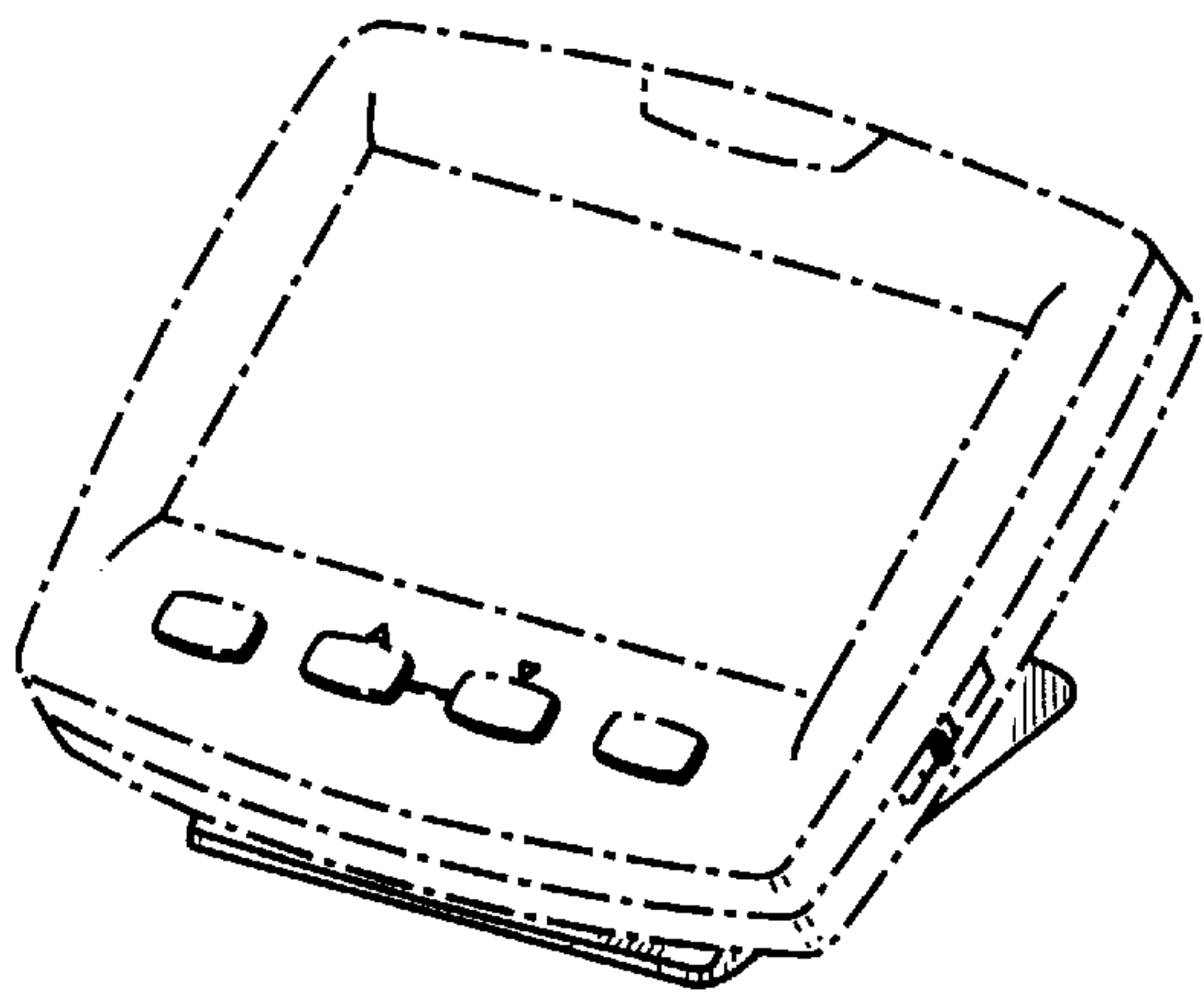


FIG._8

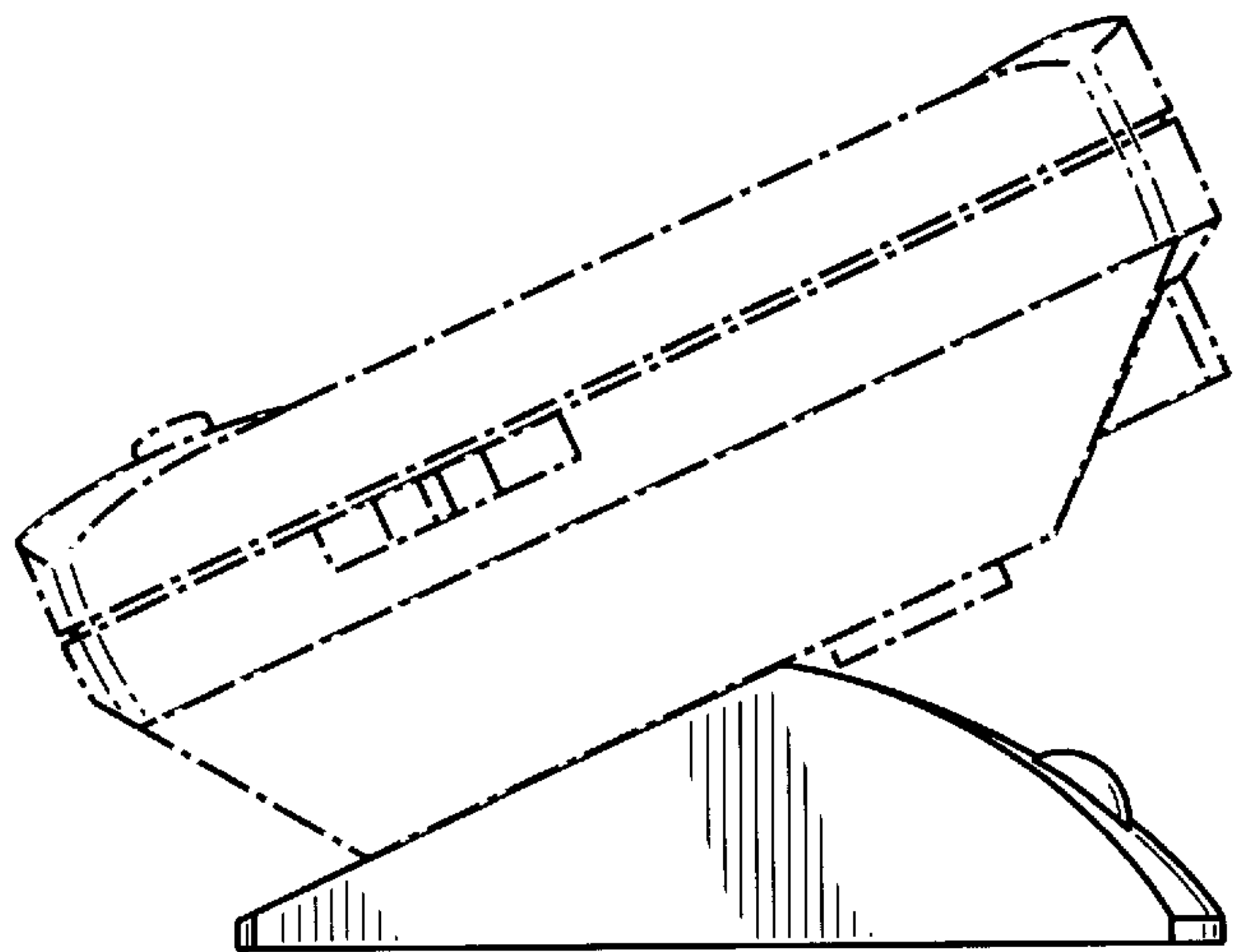


FIG._9