



US00D431033S

# United States Patent [19]

[11] **Patent Number: Des. 431,033**

**Takahashi et al.**

[45] **Date of Patent: \*\* Sep. 19, 2000**

[54] **AMPLIFIER**

[57] **CLAIM**

[75] Inventors: **Hitoshi Takahashi; Gen Fujiki**, both of Tokyo, Japan

The ornamental design for an amplifier, as shown and described.

[73] Assignee: **Sony Corporation**, Tokyo, Japan

**DESCRIPTION**

[\*\*] Term: **14 Years**

[21] Appl. No.: **29/100,892**

FIG. 1 is a perspective view of an amplifier showing our new design;

[22] Filed: **Feb. 19, 1999**

FIG. 2 is a top plan view thereof;

[51] **LOC (7) Cl.** ..... **14-03**

FIG. 3 is a bottom plan view thereof;

[52] **U.S. Cl.** ..... **14/188**

[58] **Field of Search** ..... D14/124, 162, D14/164, 168, 170-171, 188, 193, 198; 455/344, 347, 350, 351

FIG. 4 is a left side elevational view thereof;

FIG. 5 is a right side elevational view thereof;

[56] **References Cited**

**U.S. PATENT DOCUMENTS**

- D. 367,275 2/1996 Ito et al. .... D14/188
- D. 391,258 2/1998 Ito et al. .... D14/188
- D. 391,259 2/1998 Ito et al. .... D14/168 X

FIG. 6 is a front elevational view thereof;

FIG. 7 is a rear elevational view thereof; and,

**OTHER PUBLICATIONS**

Catalog "90"; Sony; Nov. 1998; p. 140.

FIG. 8 is a perspective view thereof, wherein the lid portion is in the open position; the broken line showing of the inside of the amplifier lid is for illustrative purposes only and forms no part of the claimed design.

*Primary Examiner*—Nanda Bondade  
*Attorney, Agent, or Firm*—Ronald P. Kananen; Rader, Fishman & Grauer PLLC

**1 Claim, 5 Drawing Sheets**

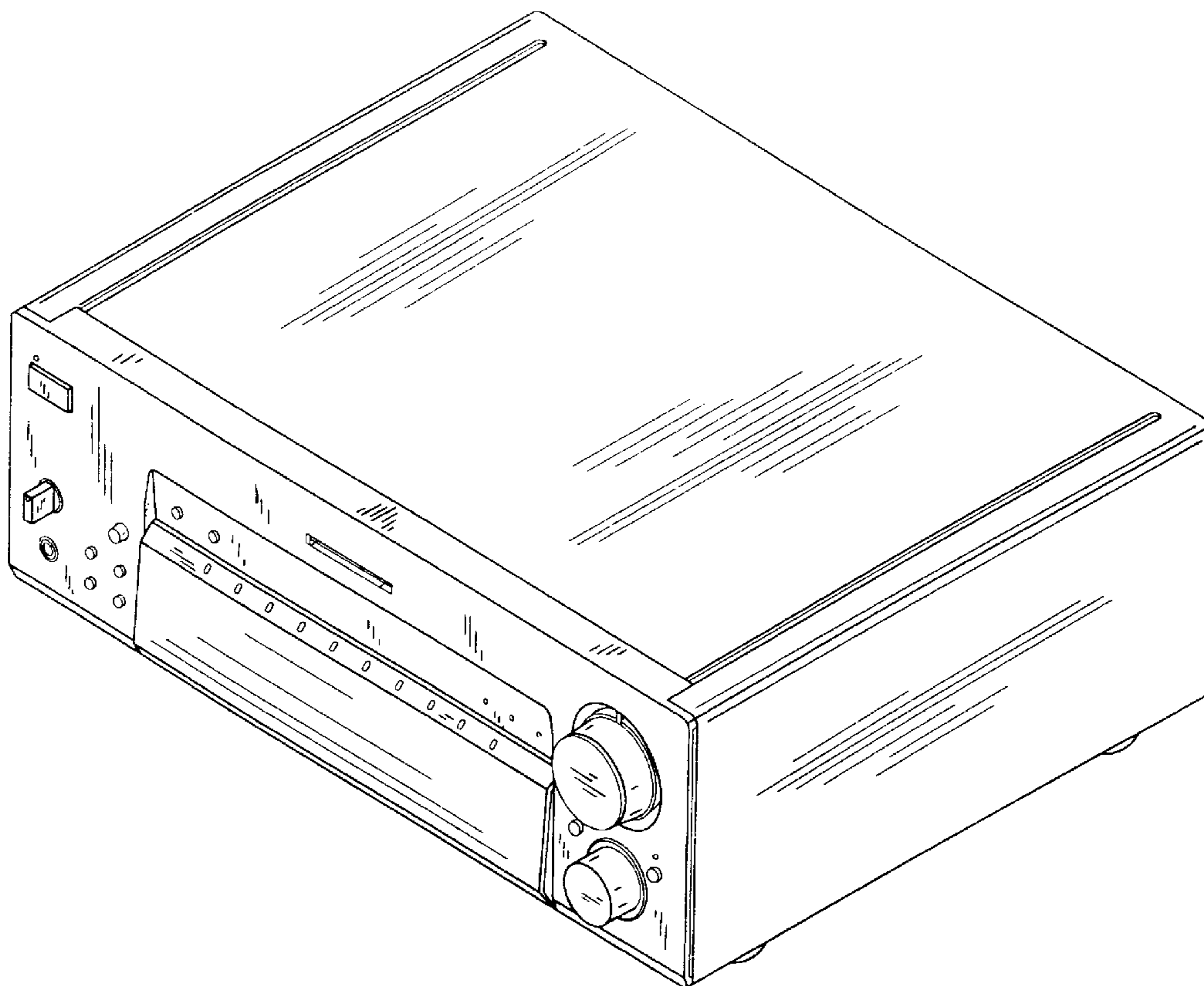


FIG. 1

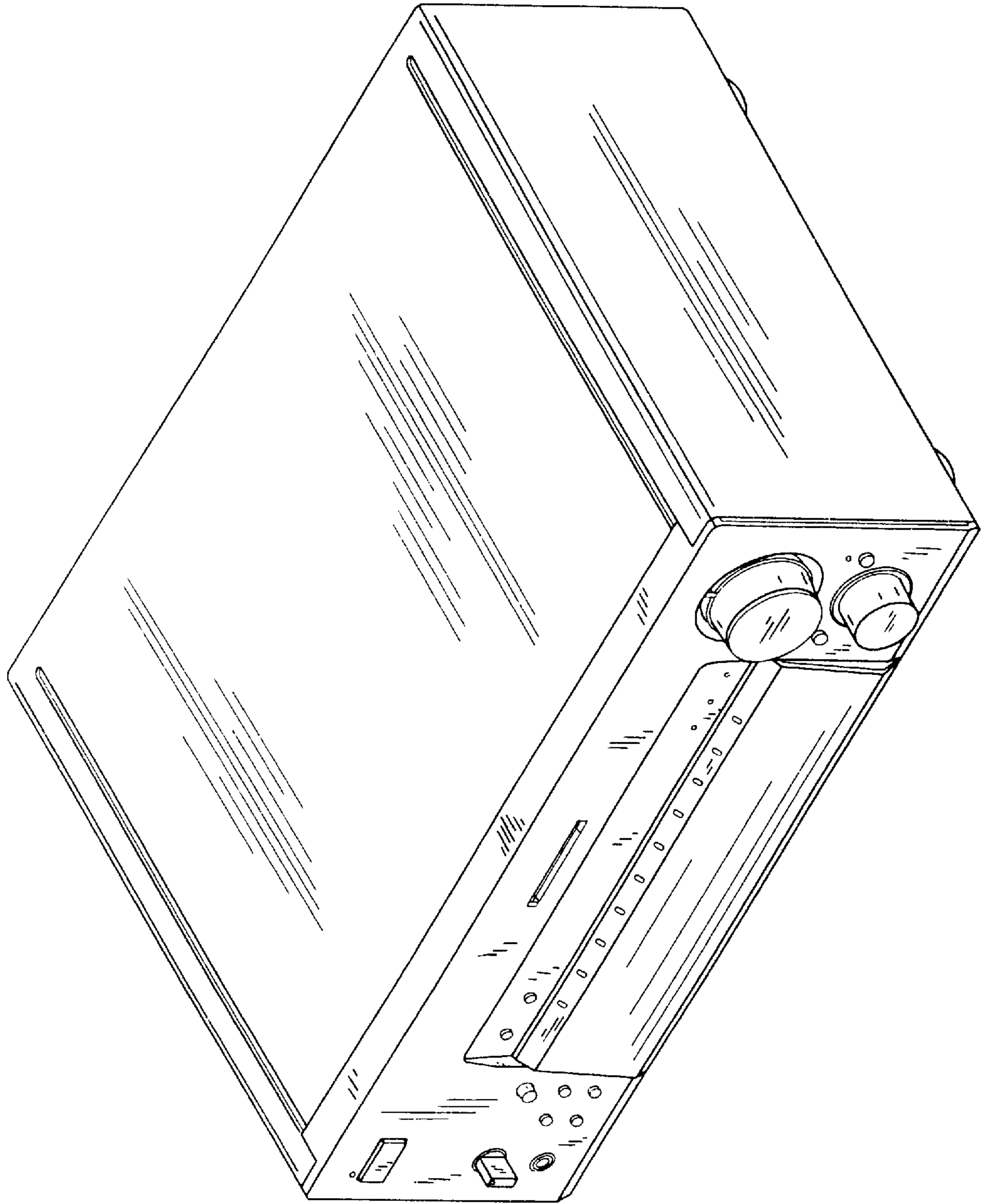


FIG. 3

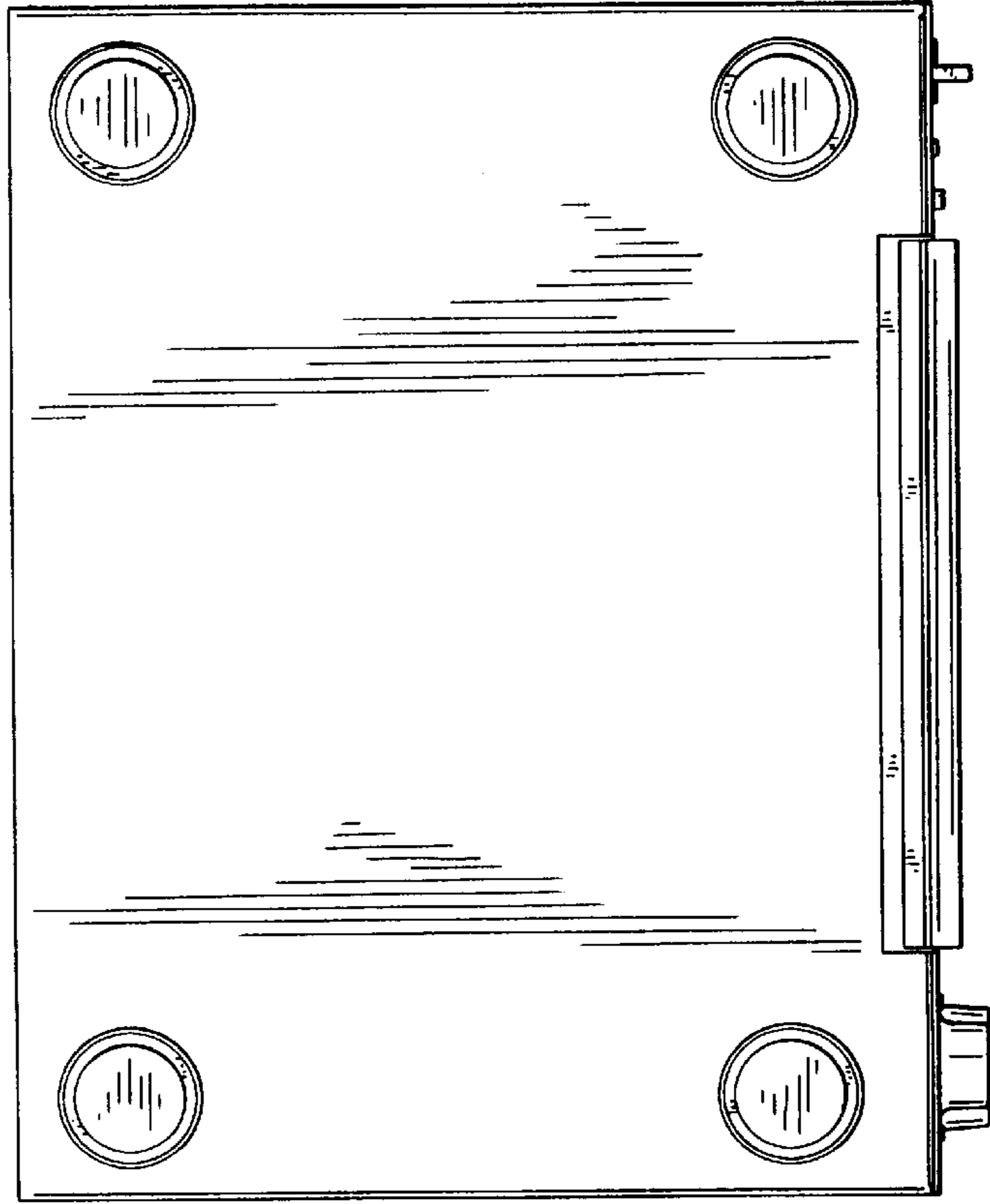


FIG. 2

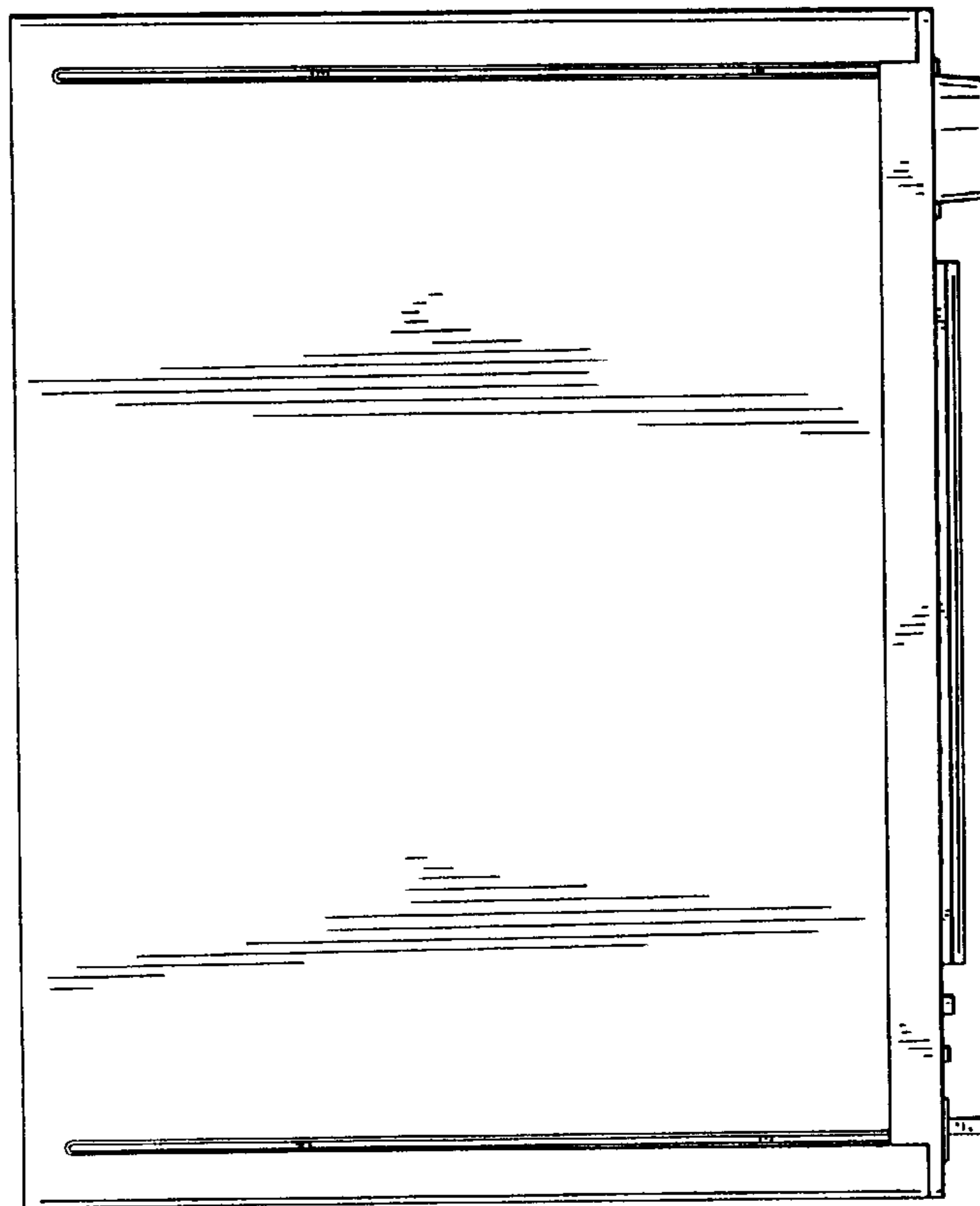


FIG. 5

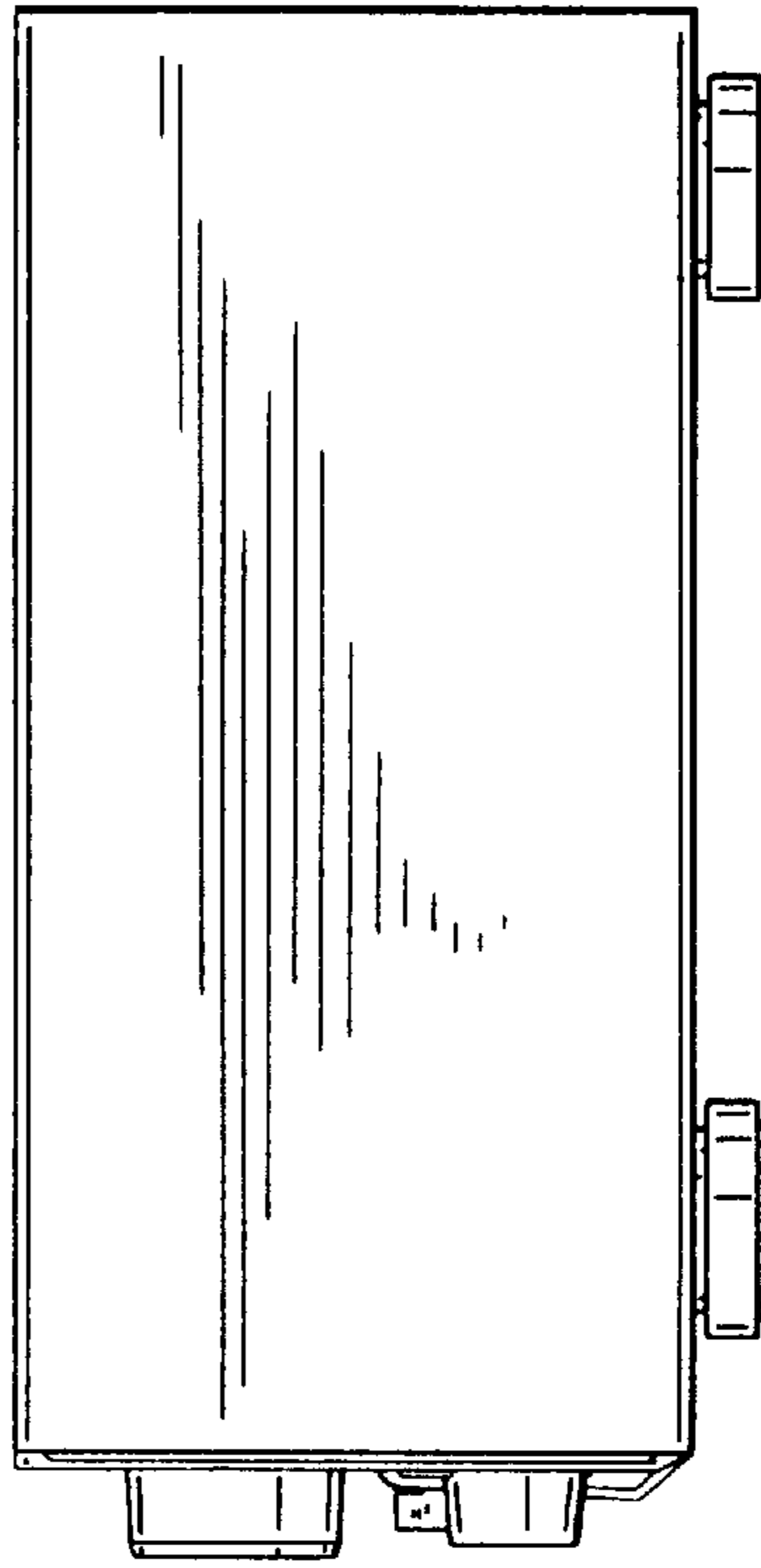


FIG. 4

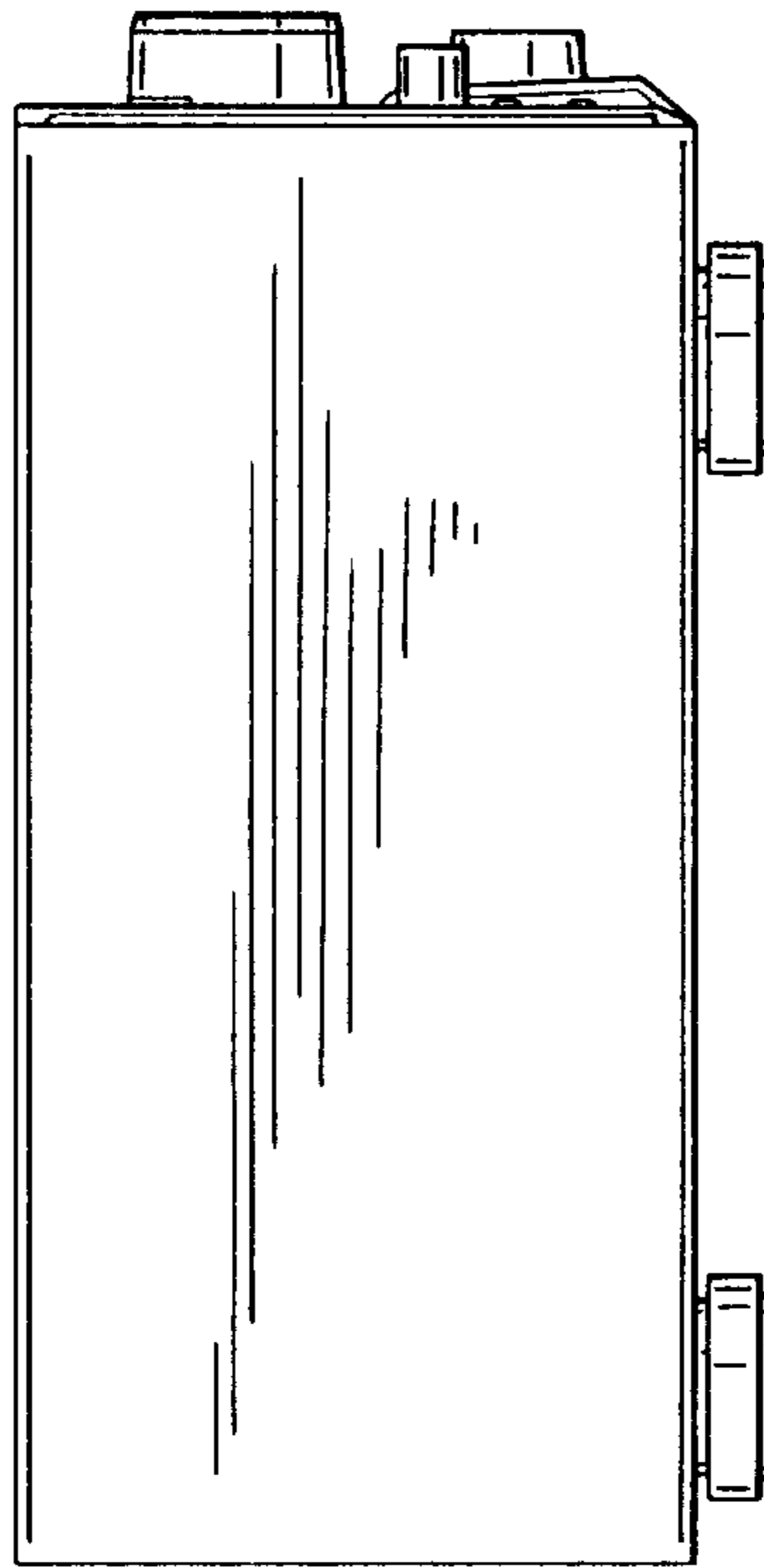


FIG. 7

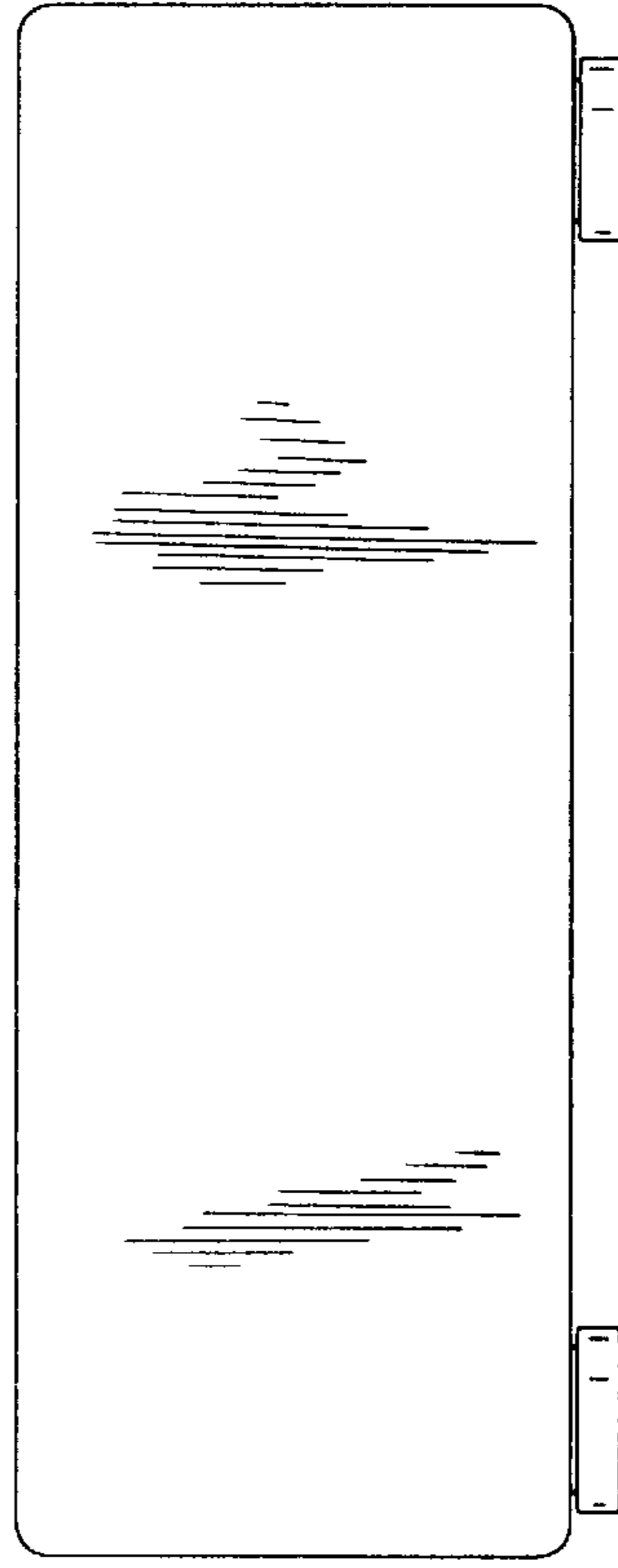


FIG. 6

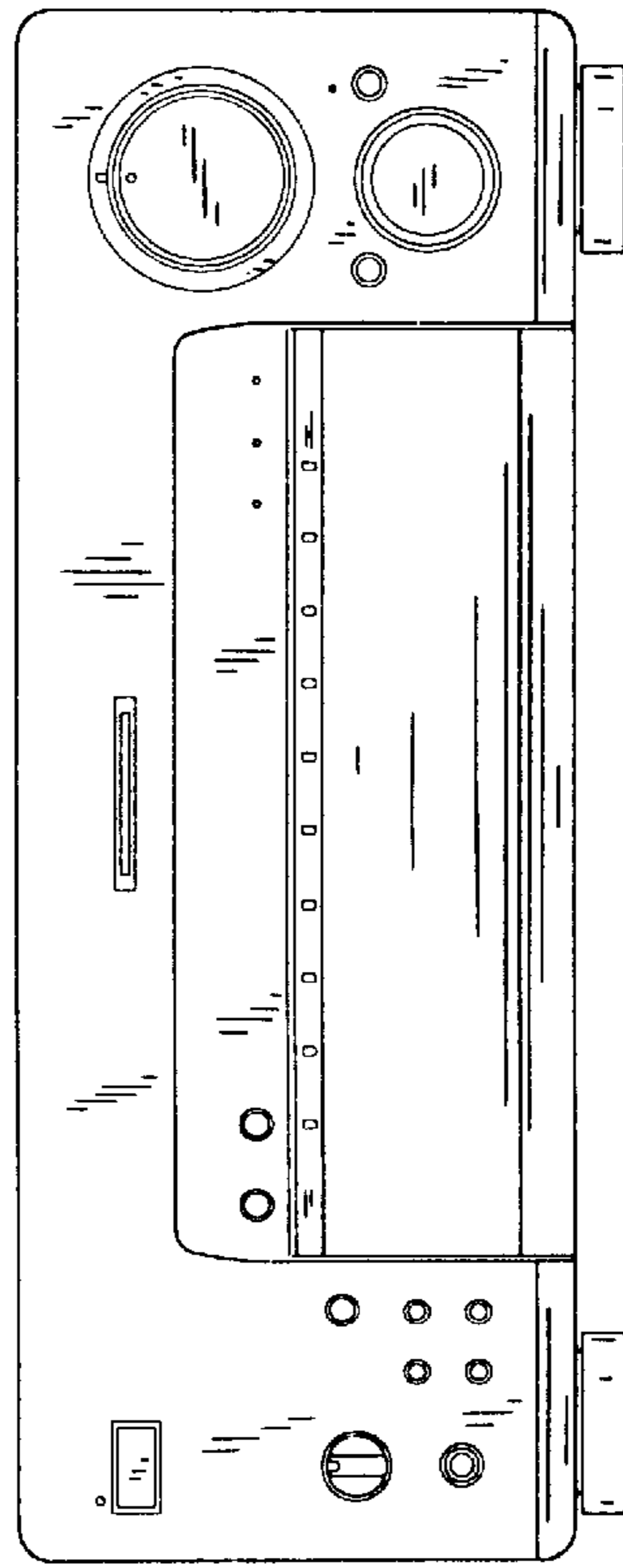




FIG. 8

