



US00D431028S

United States Patent [19]

Monaco et al.

[11] Patent Number: Des. 431,028

[45] Date of Patent: ** Sep. 19, 2000

[54] MOUNTING MASK OF A FRONT PIECE FOR AN INSTRUMENT CONTAINER FOR CONDITIONING AND REFRIGERATING UNITS

[75] Inventors: Frank Anthony Monaco, Rome; Stefano Dal Farra, Belluno, both of Italy

[73] Assignee: Invensys Climate Controls SpA, Via dell'Artigiano, Italy

[**] Term: 14 Years

[21] Appl. No.: 29/113,663

[22] Filed: Nov. 10, 1999

Related U.S. Application Data

[62] Division of application No. 29/100,168, Feb. 5, 1999.

Foreign Application Priority Data

Jul. 8, 1998 [HK] The Hong Kong Special Administrative Region of the People's Republic of China DM/044 877

[51] LOC (7) Cl. 13-03

[52] U.S. Cl. D13/162

[58] Field of Search D10/46, 50, 57; D13/162-164, 184; 62/81, 126, 127, 129, 130, 179, 180, 186, 187, 229, 230, 408; 236/37, 94; 165/11.1; 364/184, 187

[56] References Cited

U.S. PATENT DOCUMENTS

D. 418,515	1/2000	Tucker et al.	D14/240
5,809,790	9/1998	Kwon	62/89
5,924,295	7/1999	Park	62/126
5,960,857	10/1999	Oswalt et al.	165/11.1
5,992,165	11/1999	Kim et al.	62/187

Primary Examiner—Antoine Duval Davis
Attorney, Agent, or Firm—Antonelli, Terry, Stout & Kraus, LLP

[57] CLAIM

The ornamental design for a mounting mask of a front piece for an instrument container for conditioning and refrigerating units, as shown.

DESCRIPTION

FIG. 1 is a perspective view of a mounting mask of a front piece for an instrument container for conditioning and refrigerating units;
FIG. 2 is a front view of the mask of FIG. 1;
FIG. 3 is a rear view of the mask of FIG. 1;
FIG. 4 is a top view of the mask of FIG. 1;
FIG. 5 is a bottom view of the mask of FIG. 1;
FIG. 6 is a first side view of the mask of FIG. 1; and,
FIG. 7 is a second side view of the mask of FIG. 1.

1 Claim, 3 Drawing Sheets

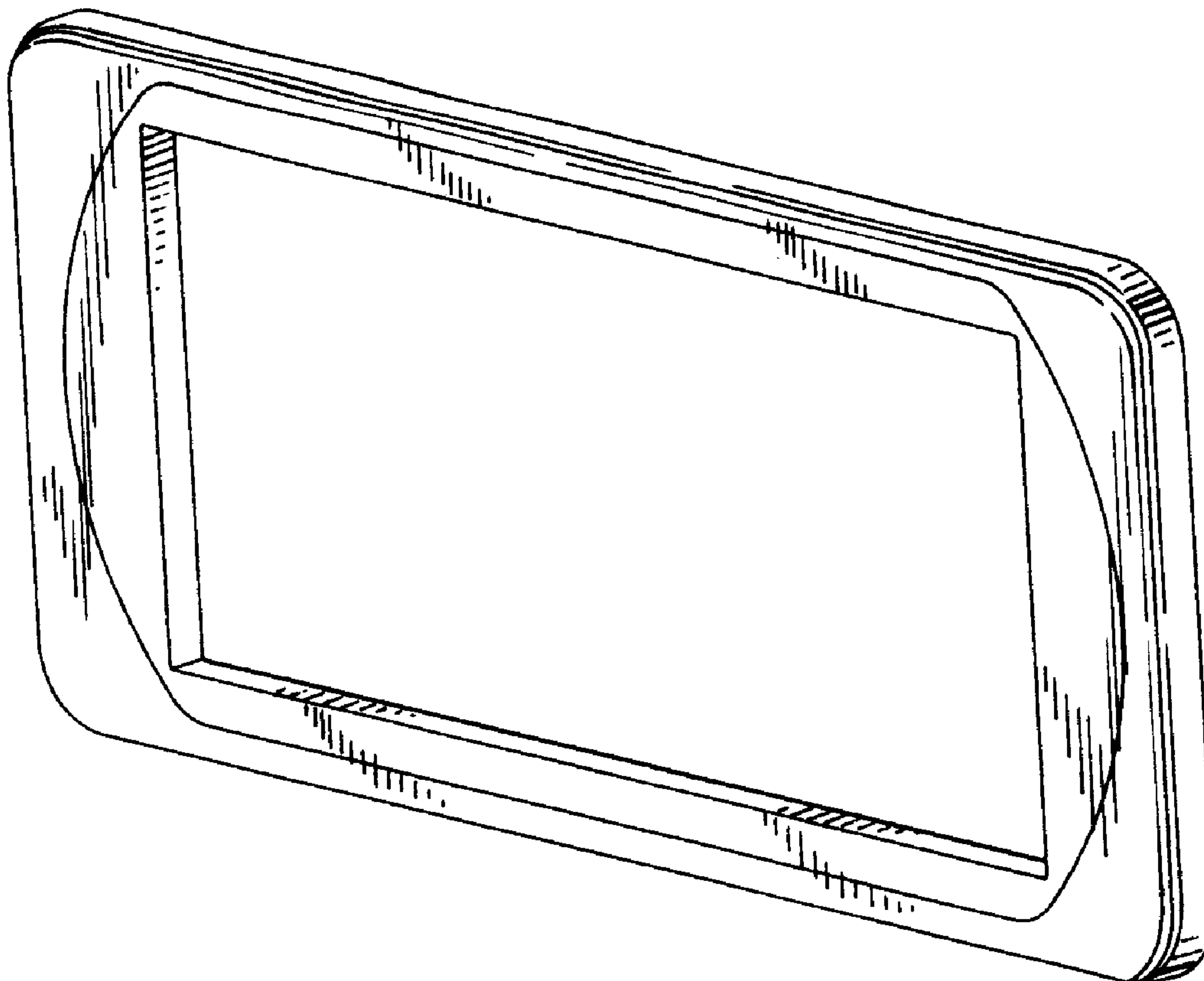


FIG. 1

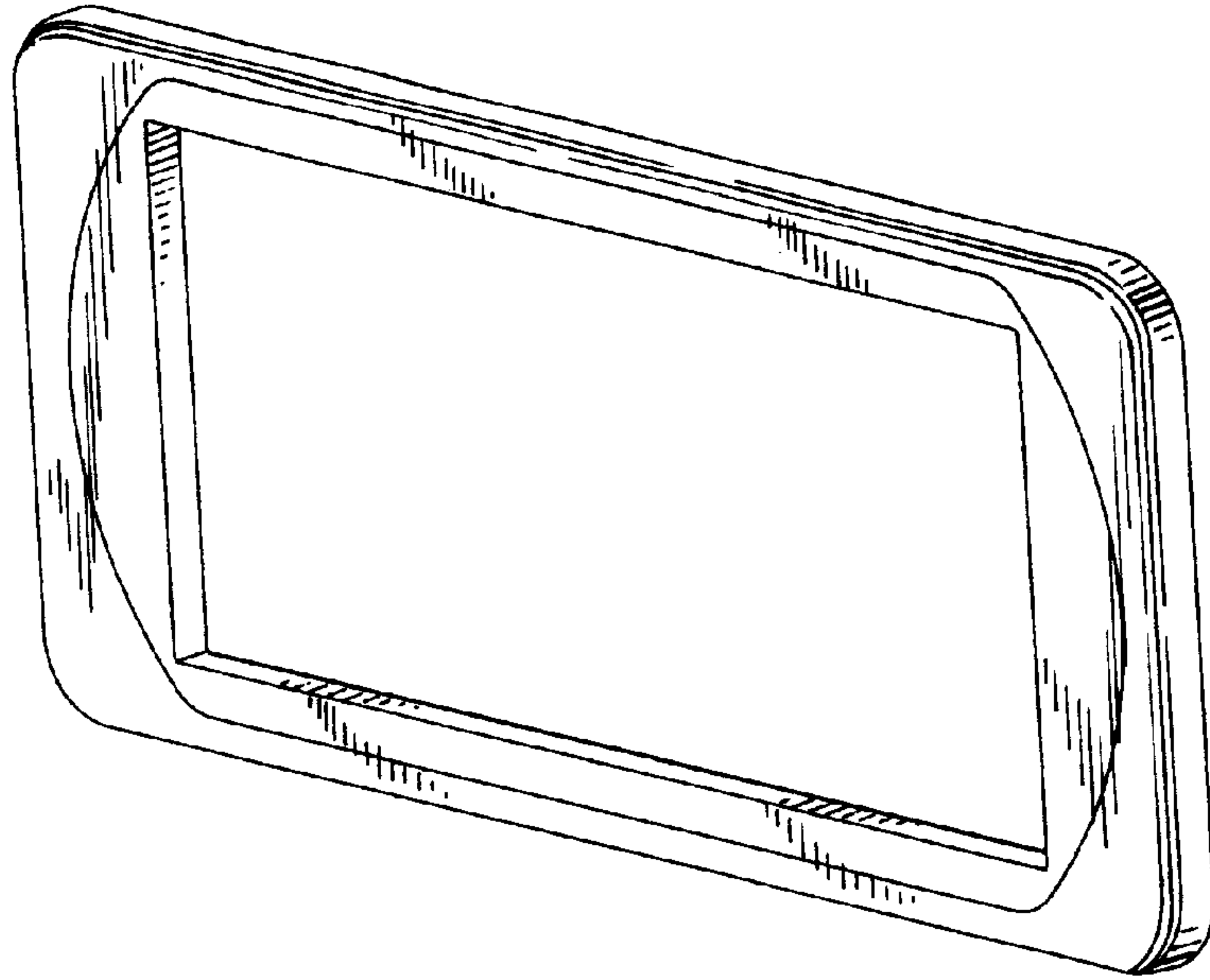


FIG. 2

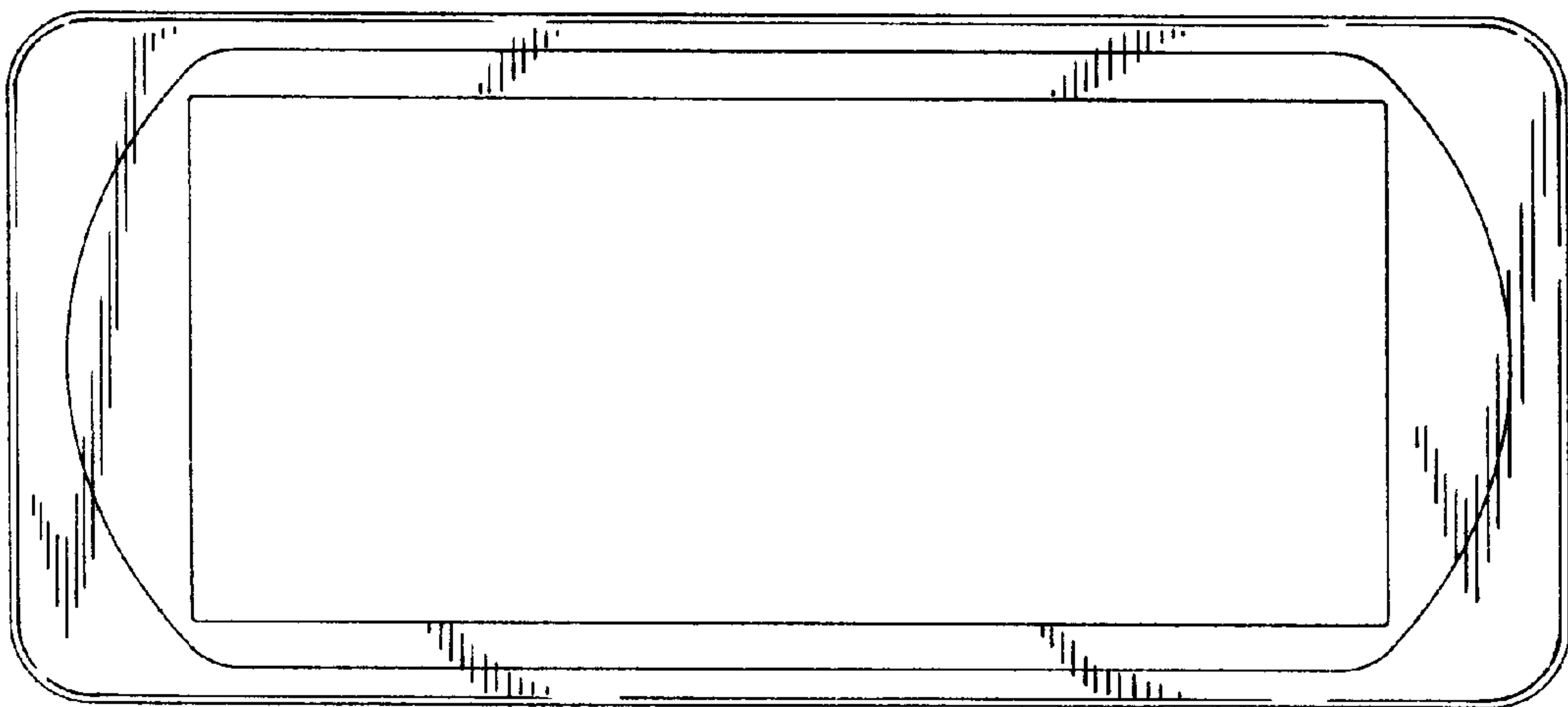


FIG. 3

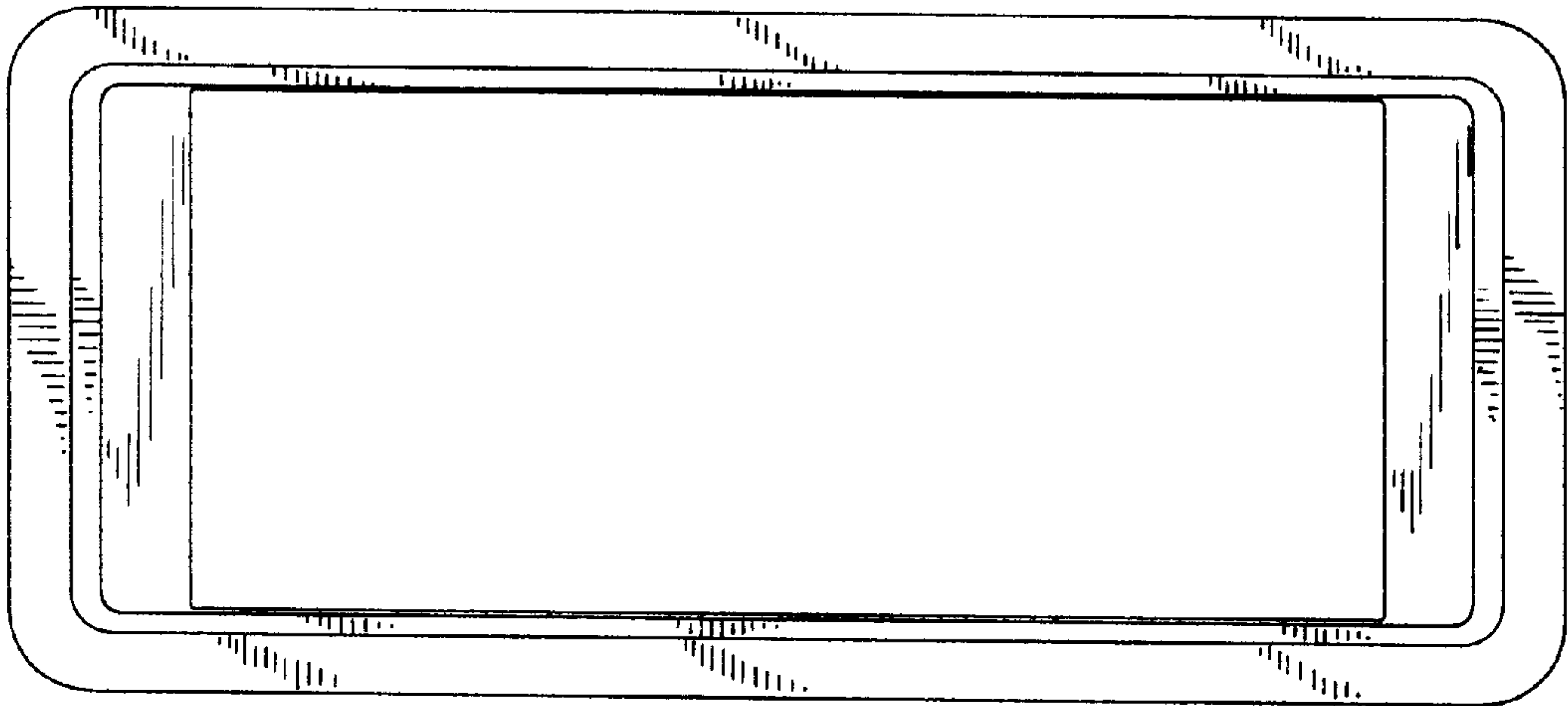


FIG. 4

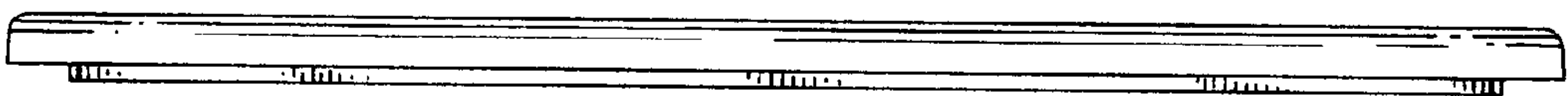


FIG. 5

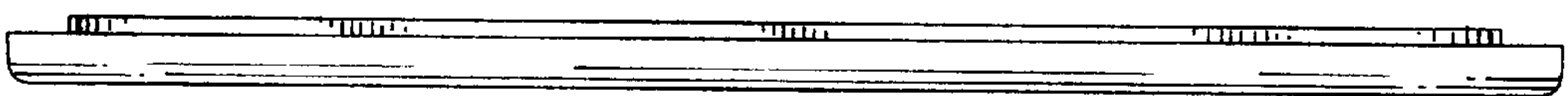


FIG. 6

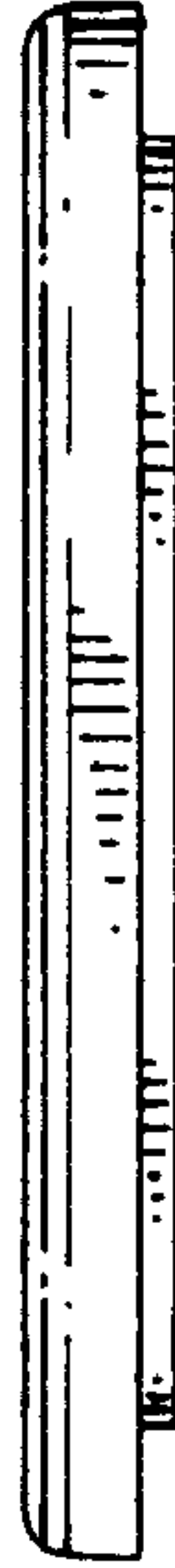


FIG. 7

