



US00D431027S

United States Patent [19] Armstrong

[11] **Patent Number: Des. 431,027**

[45] **Date of Patent: ** Sep. 19, 2000**

[54] **ELECTRICAL LOAD CONTROL MODULE**

[75] **Inventor: Steven Armstrong, Anaheim Hills, Calif.**

[73] **Assignee: Emhart Inc., Newark, Del.**

[**] **Term: 14 Years**

[21] **Appl. No.: 29/108,366**

[22] **Filed: Jul. 26, 1999**

[51] **LOC (7) Cl. 13-03**

[52] **U.S. Cl. D13/162**

[58] **Field of Search D13/162, 165, D13/166, 137.1, 137.3; 200/42.01, 38 FB, 38 D, 38 DA, 52 R, 51 R**

- D. 315,893 4/1991 Cheng .
- D. 323,297 1/1992 Zeller .
- D. 325,380 4/1992 Rao et al. .
- D. 352,472 11/1994 Chen .
- D. 352,667 11/1994 Chen .
- D. 379,966 6/1997 Gallagher .
- D. 389,073 1/1998 Schmidt et al. .
- 3,997,742 12/1976 Marquis 200/38 FB
- 4,297,546 10/1981 Koch 200/38 DA X
- 5,903,226 5/1999 Suman et al. .
- 5,909,087 6/1999 Bryde et al. .

Primary Examiner—Brian N. Vinson
Attorney, Agent, or Firm—Harness, Dickey & Pierce, P.L.C.

[57] CLAIM

The ornamental design for an electrical load control module, as shown and described.

DESCRIPTION

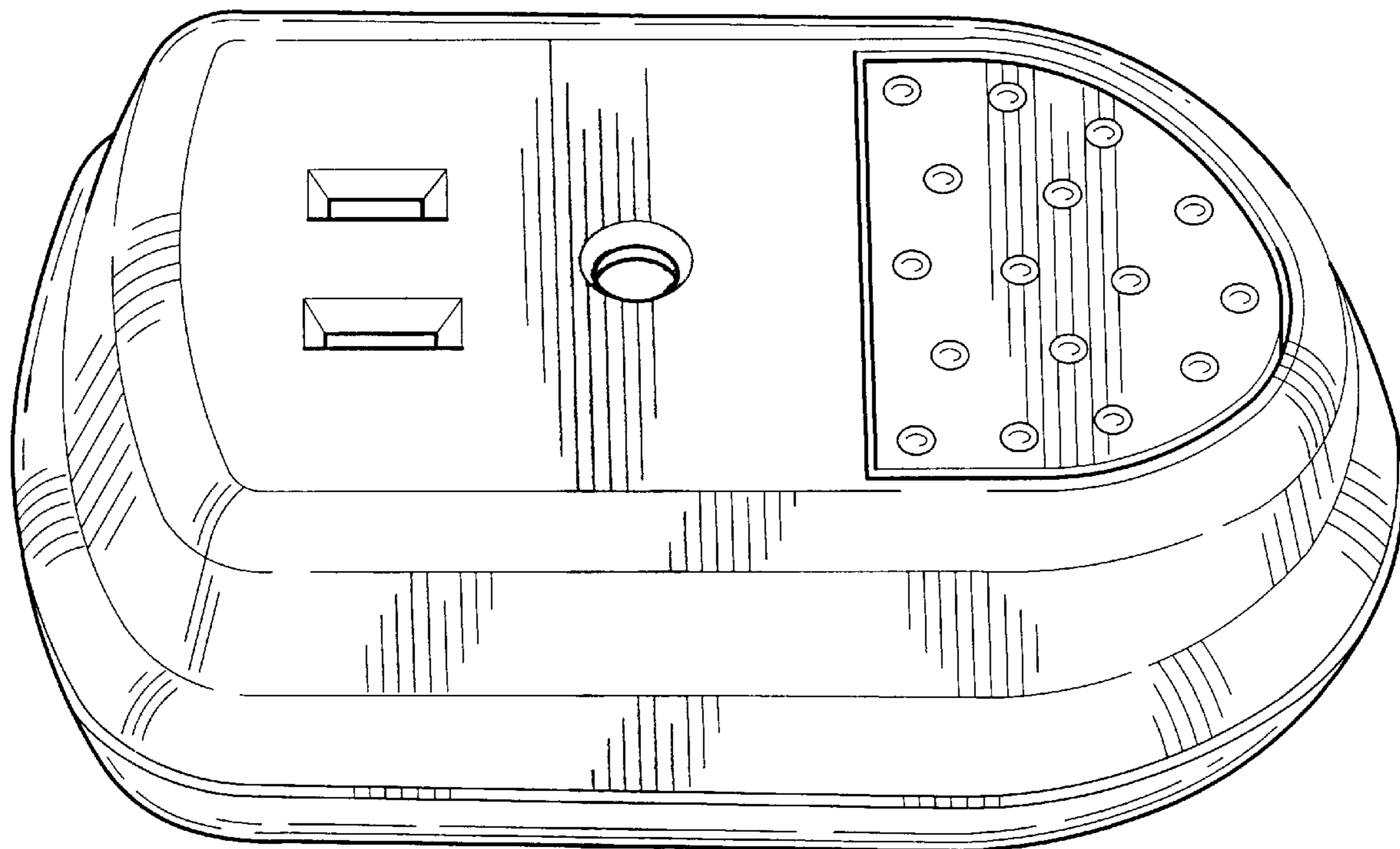
FIG. 1 is a front perspective view of the module; FIG. 2 is a rear perspective view of the module; FIG. 3 is a front plan view of the module; FIG. 4 is a side elevational view of the module; FIG. 5 is a top end elevational view of the module; FIG. 6 is a bottom end elevational view of the module; and, FIG. 7 is a rear plan view of the module.

1 Claim, 7 Drawing Sheets

[56] References Cited

U.S. PATENT DOCUMENTS

- D. 268,753 4/1983 Fenne .
- D. 280,894 10/1985 Dickey .
- D. 285,787 9/1986 Schwartz .
- D. 299,127 12/1988 Boguss .
- D. 310,063 8/1990 Cheng .
- D. 311,726 10/1990 Brown, Jr. et al. .
- D. 314,368 2/1991 Schwartz .



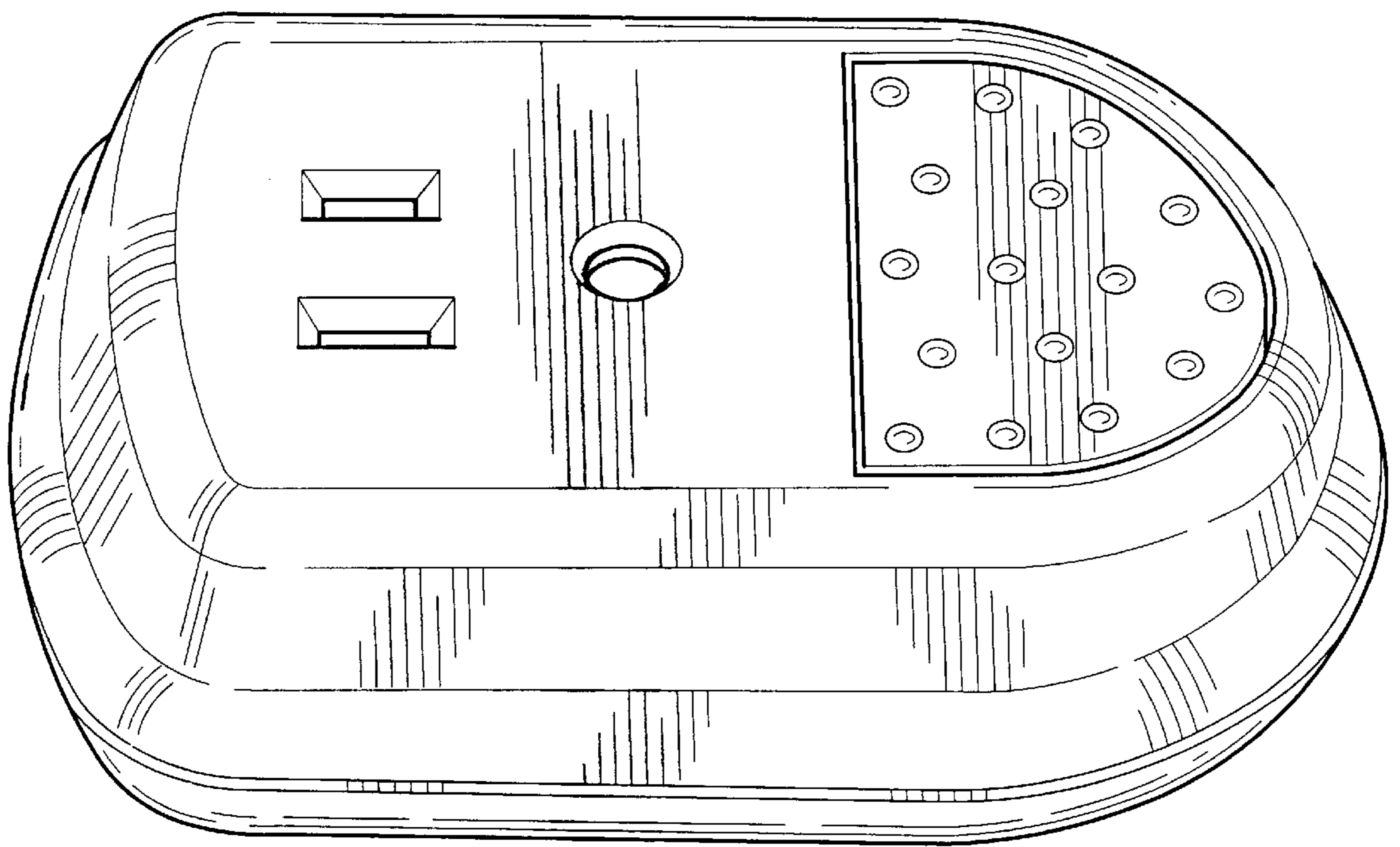


Figure - 1

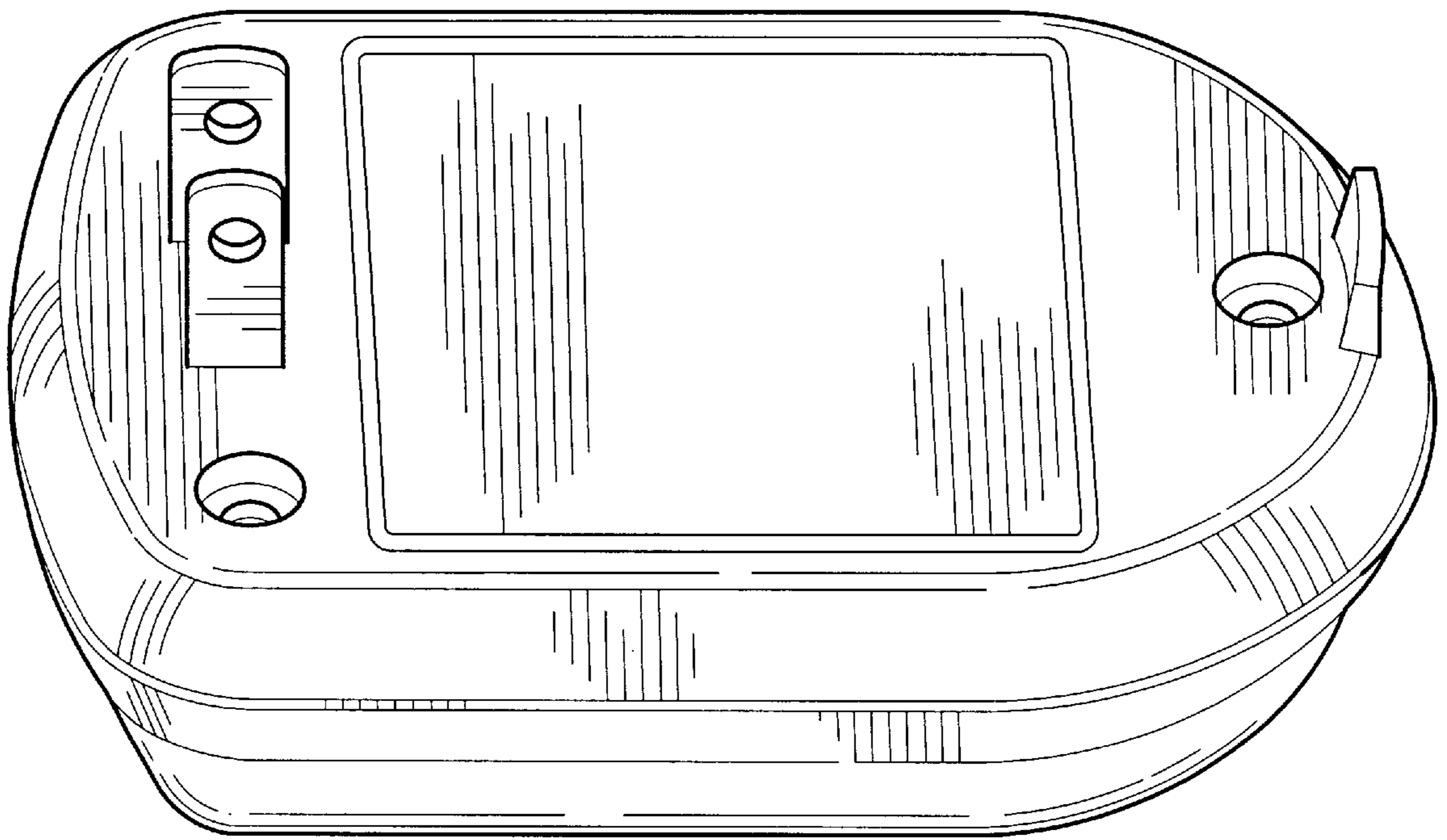


Figure - 2

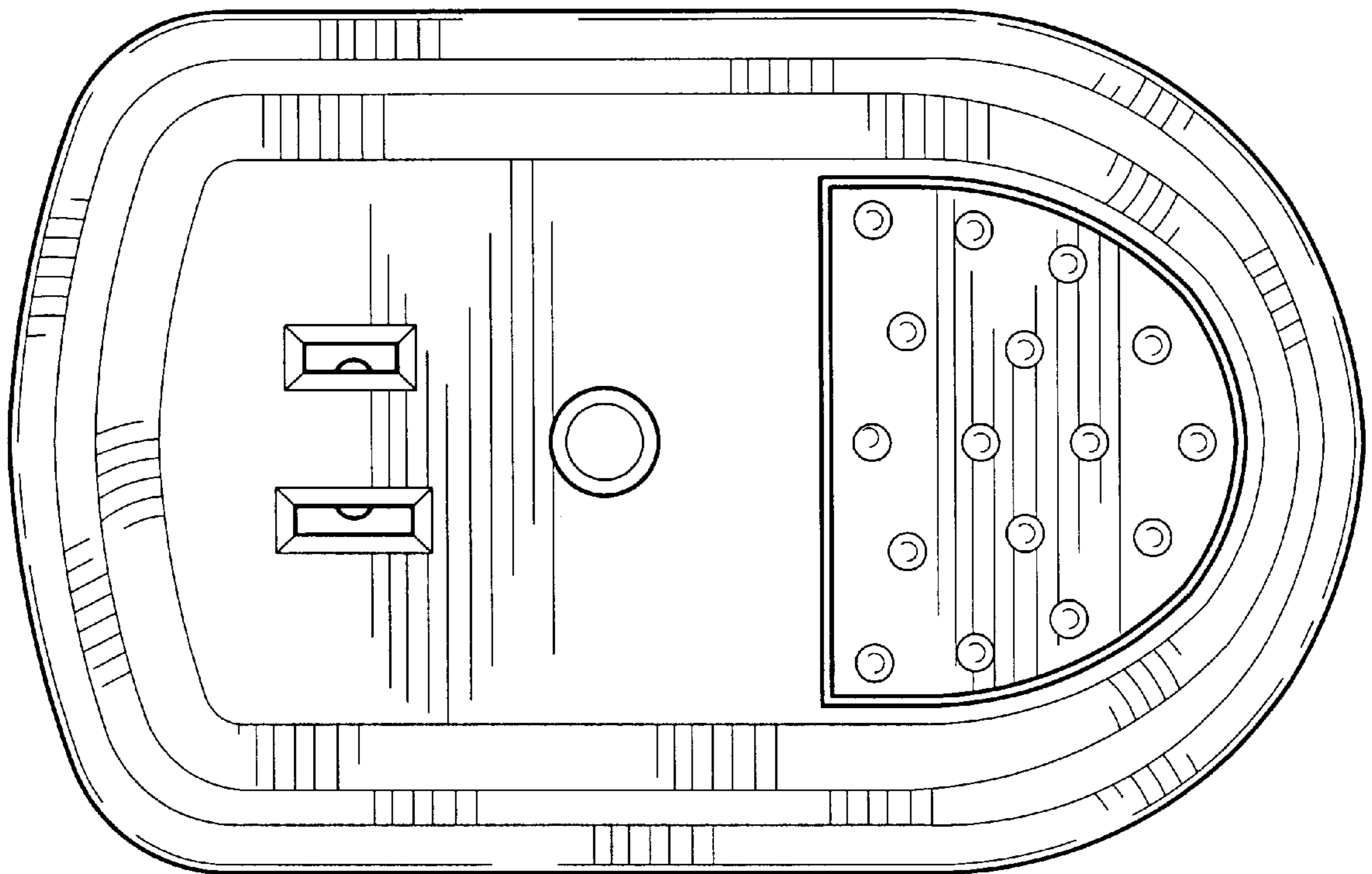


Figure - 3

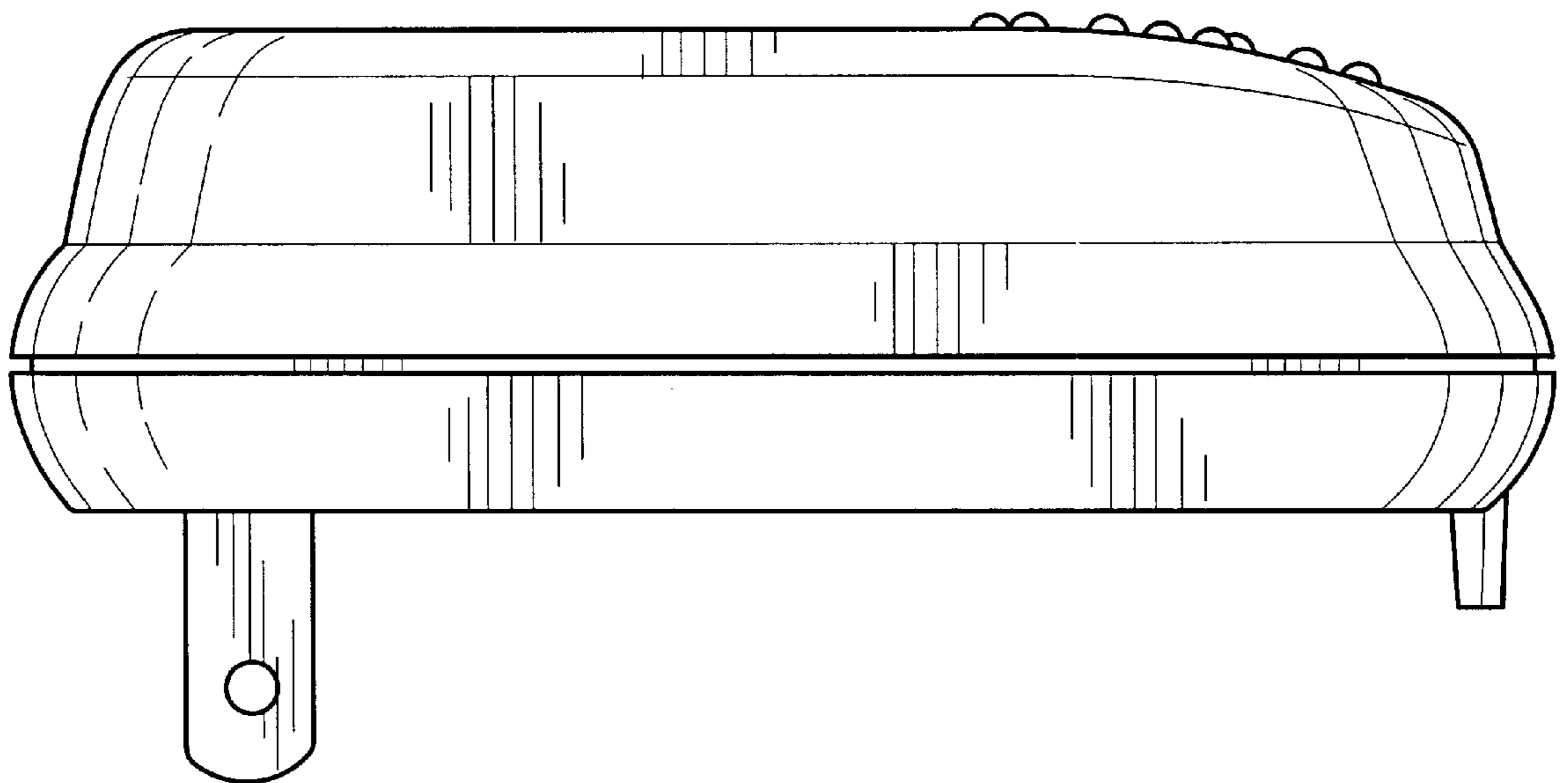


Figure - 4

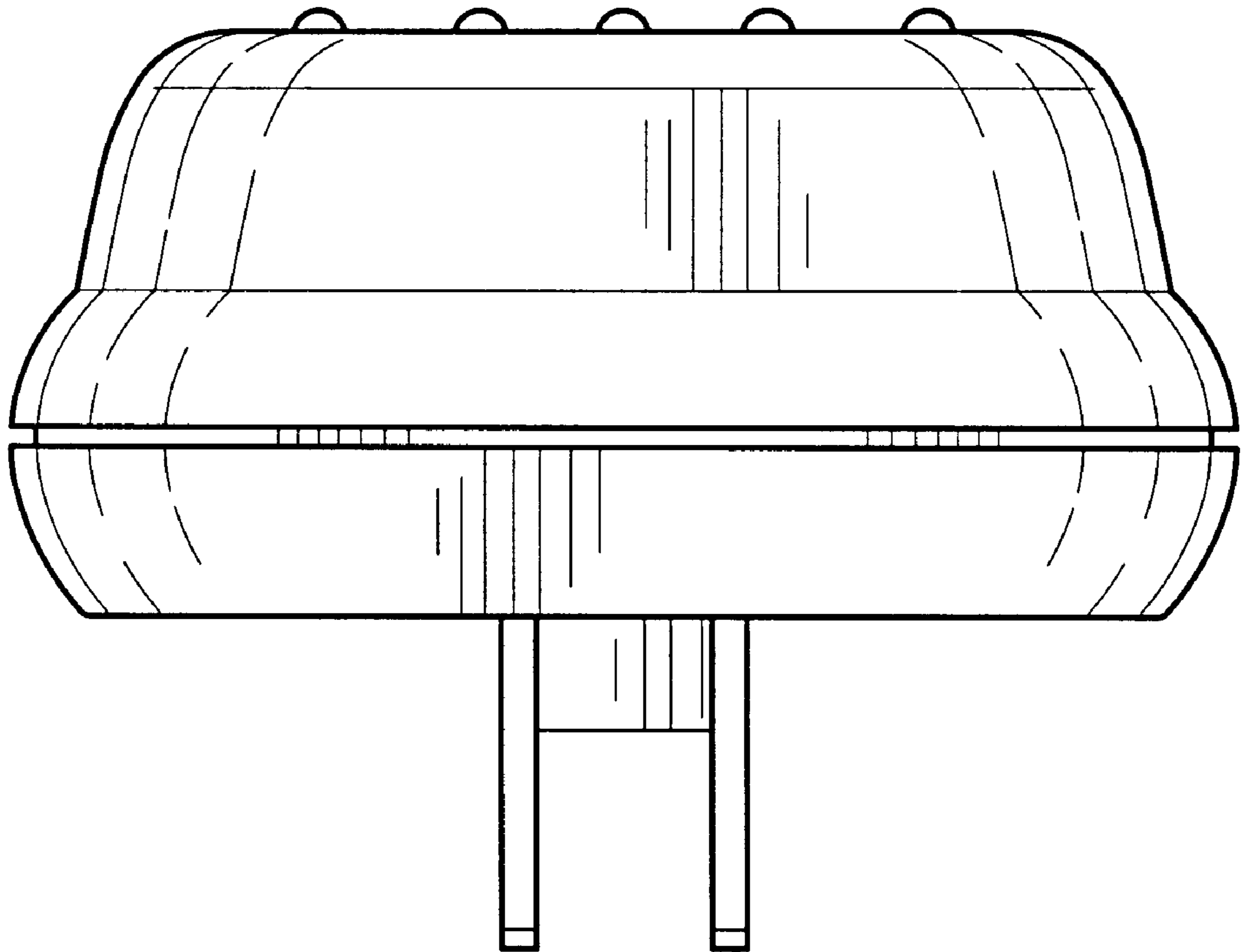


Figure - 5

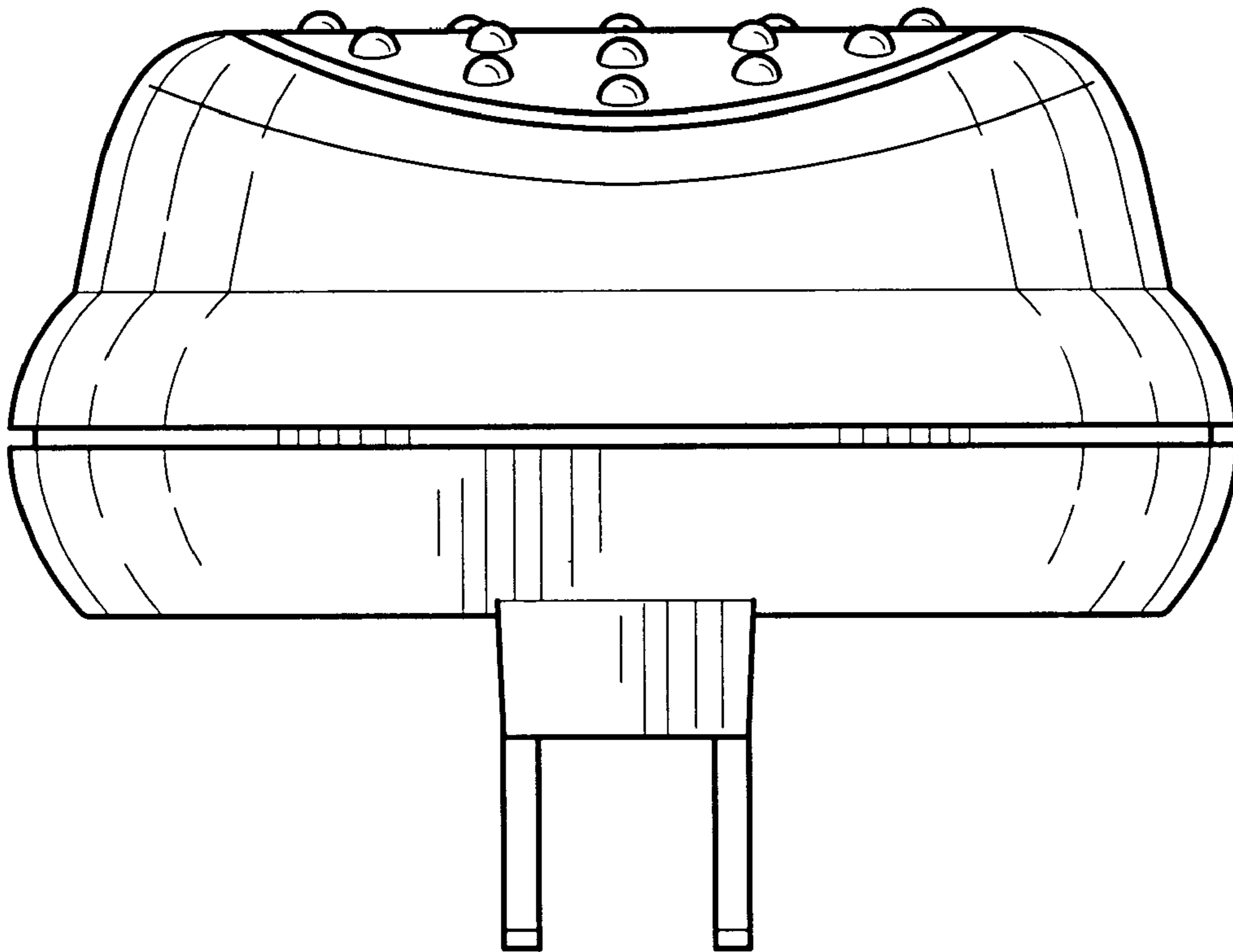


Figure - 6

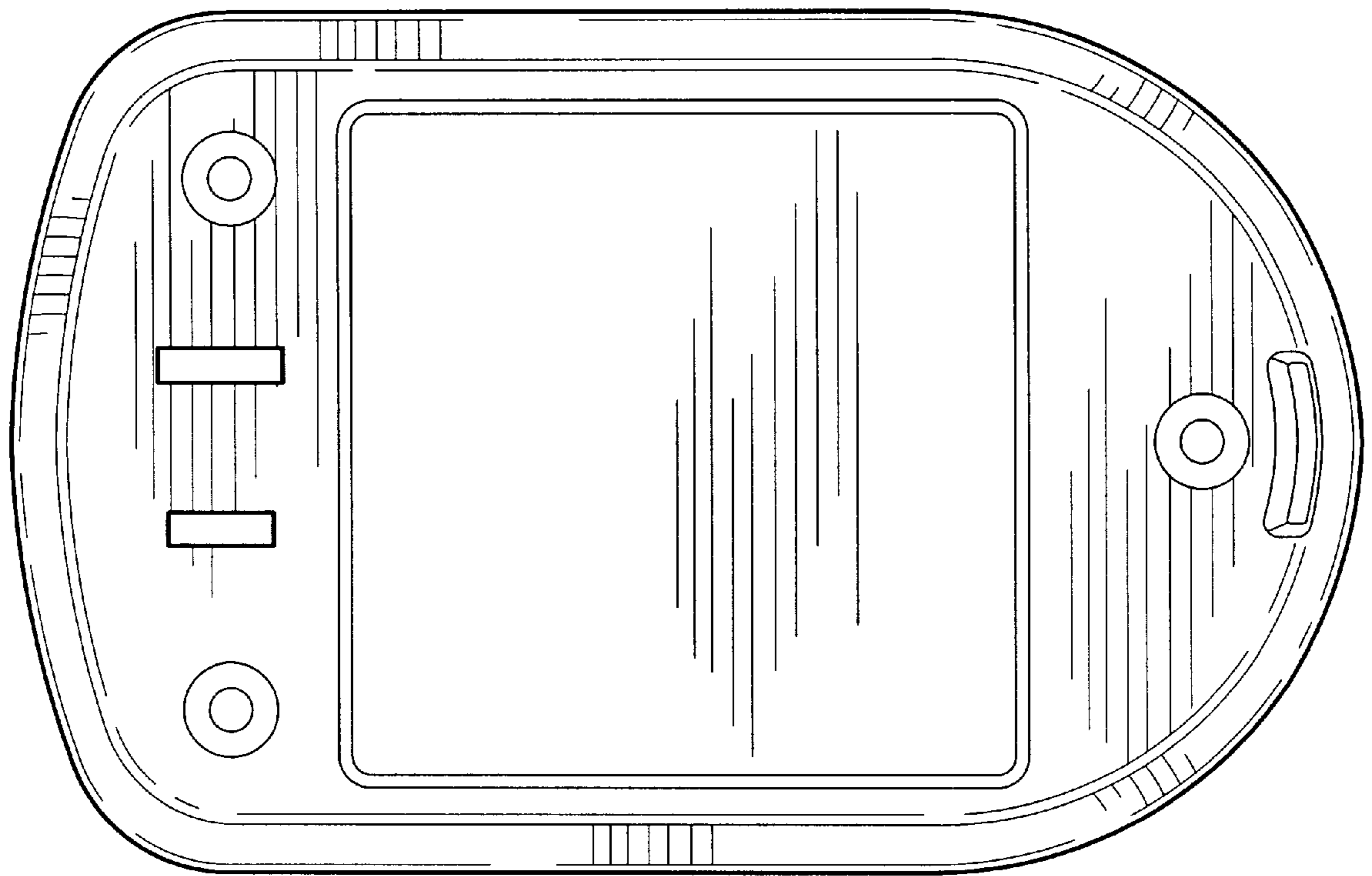


Figure - 7