



US00D431026S

United States Patent [19]

[11] **Patent Number: Des. 431,026**

Berkowitz et al.

[45] **Date of Patent: ** Sep. 19, 2000**

[54] **HORIZONTALLY EXTENDING ELECTRONIC COMPONENT AND CABLE CONTAINER FOR A COMPUTER TABLE**

[75] Inventors: **Rick Berkowitz**, St. Louis; **Elliott W. Baum**, Maryland Heights; **Lucian N. Chirea**, St. Louis, all of Mo.

[73] Assignee: **Berco Industries, Inc.**, St. Louis, Mo.

[**] Term: **14 Years**

[21] Appl. No.: **29/111,429**

[22] Filed: **Sep. 27, 1999**

[51] **LOC (7) Cl. 13-03**

[52] **U.S. Cl. D13/155; D13/199**

[58] **Field of Search D13/155, 199; D8/356; 174/48; 248/58, 68.1; 312/223.1, 223.2, 223.3, 223.6; 220/812-816, 830**

[56] **References Cited**

U.S. PATENT DOCUMENTS

D. 389,034	1/1998	Lewis	D8/356
D. 401,224	11/1998	Mollenkopf et al.	D13/155
4,406,379	9/1983	Anderson et al.	220/829
5,231,562	7/1993	Pierce et al.	174/48 X
5,640,912	6/1997	Diffrient	312/223.6 X
5,971,508	10/1999	Deimen et al.	312/223.6

OTHER PUBLICATIONS

2 pages from Spec Furniture catalog for training tables.
2 pages Powerway with Cableway VECTA.
Johnson Tables Seminar Training 2 pages.

3 pages showing electrical systems for tables.

Falcon Mats Multiple Application Table System 6 pages.

Tutor Table System 3 pages.

Versteel 2 pages.

A higher Level of Performance a page.

Bretford Environments PowerTrak and Power House 4 pages.

Primary Examiner—Joel Sincavage

Attorney, Agent, or Firm—Paul M Denk

[57] **CLAIM**

The ornamental design for a horizontally extending electronic component and cable container for a computer table, as shown and described.

DESCRIPTION

FIG. 1 is an isometric view of the horizontally extending electronic component and cable container for a computer table;

FIG. 2 is a top view thereof;

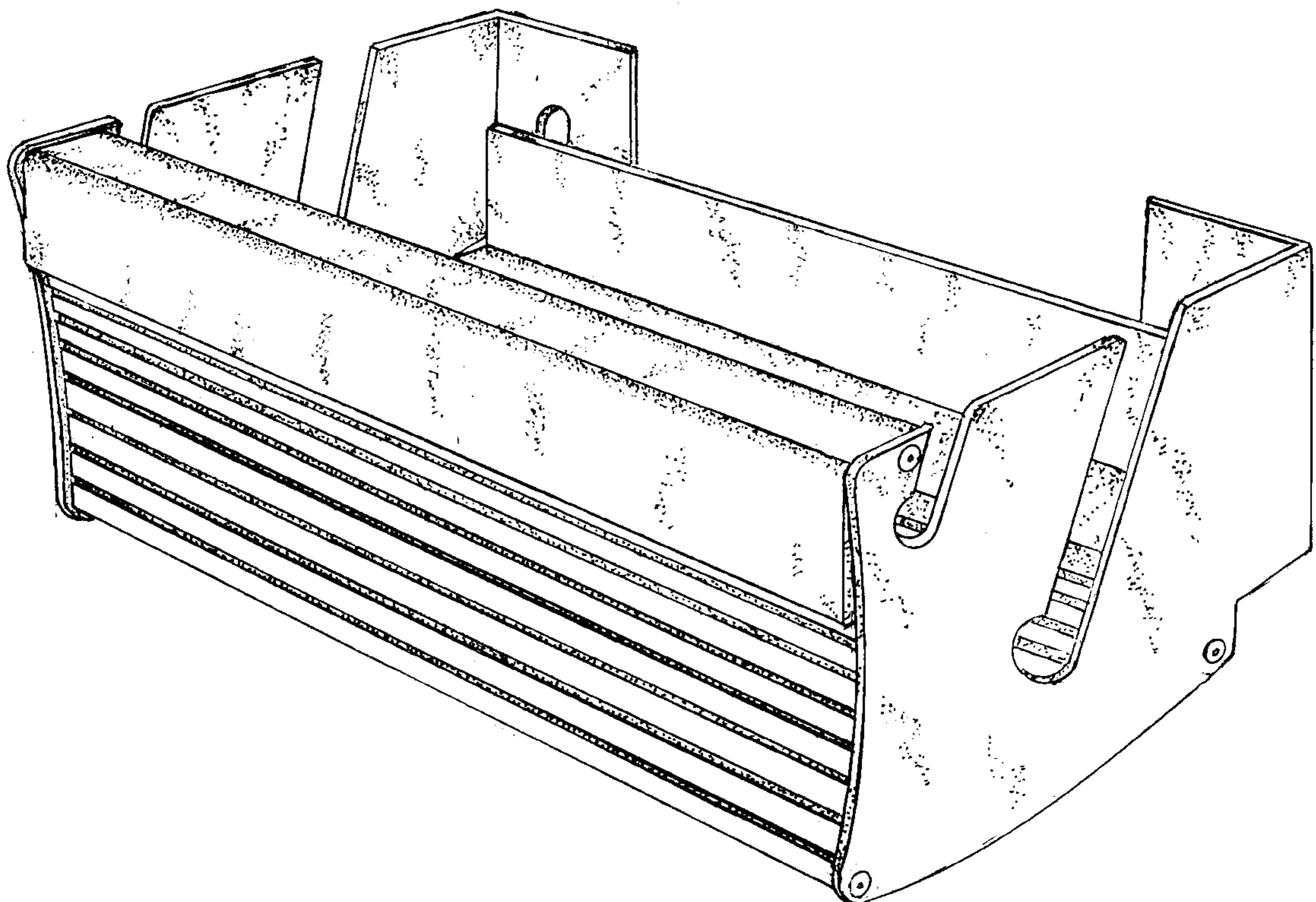
FIG. 3 is a bottom view thereof;

FIG. 4 is a front view thereof;

FIG. 5 is a rear view thereof; and,

FIG. 6 is a right side view, the left side being a mirror image thereof.

1 Claim, 3 Drawing Sheets



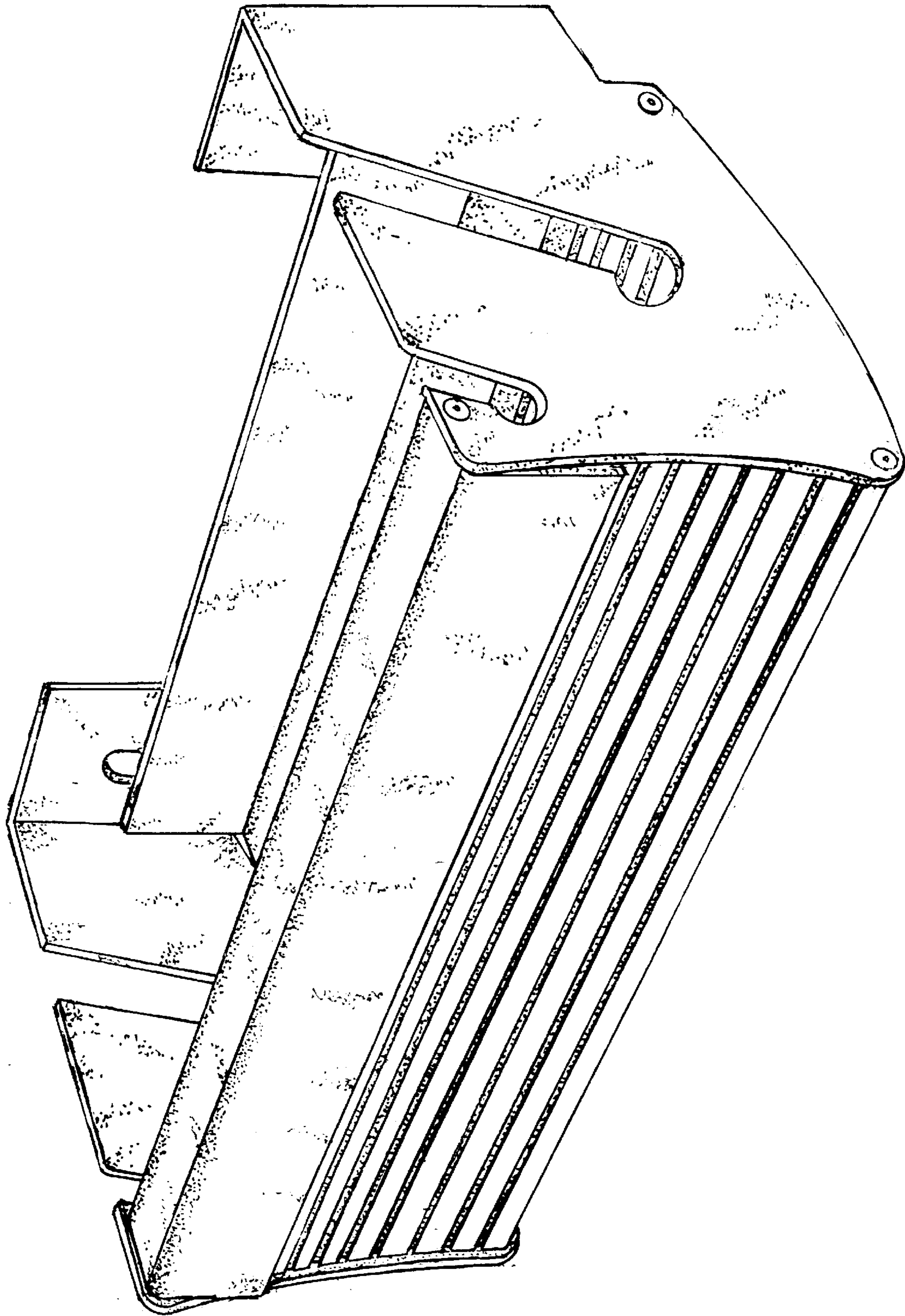


FIG.1

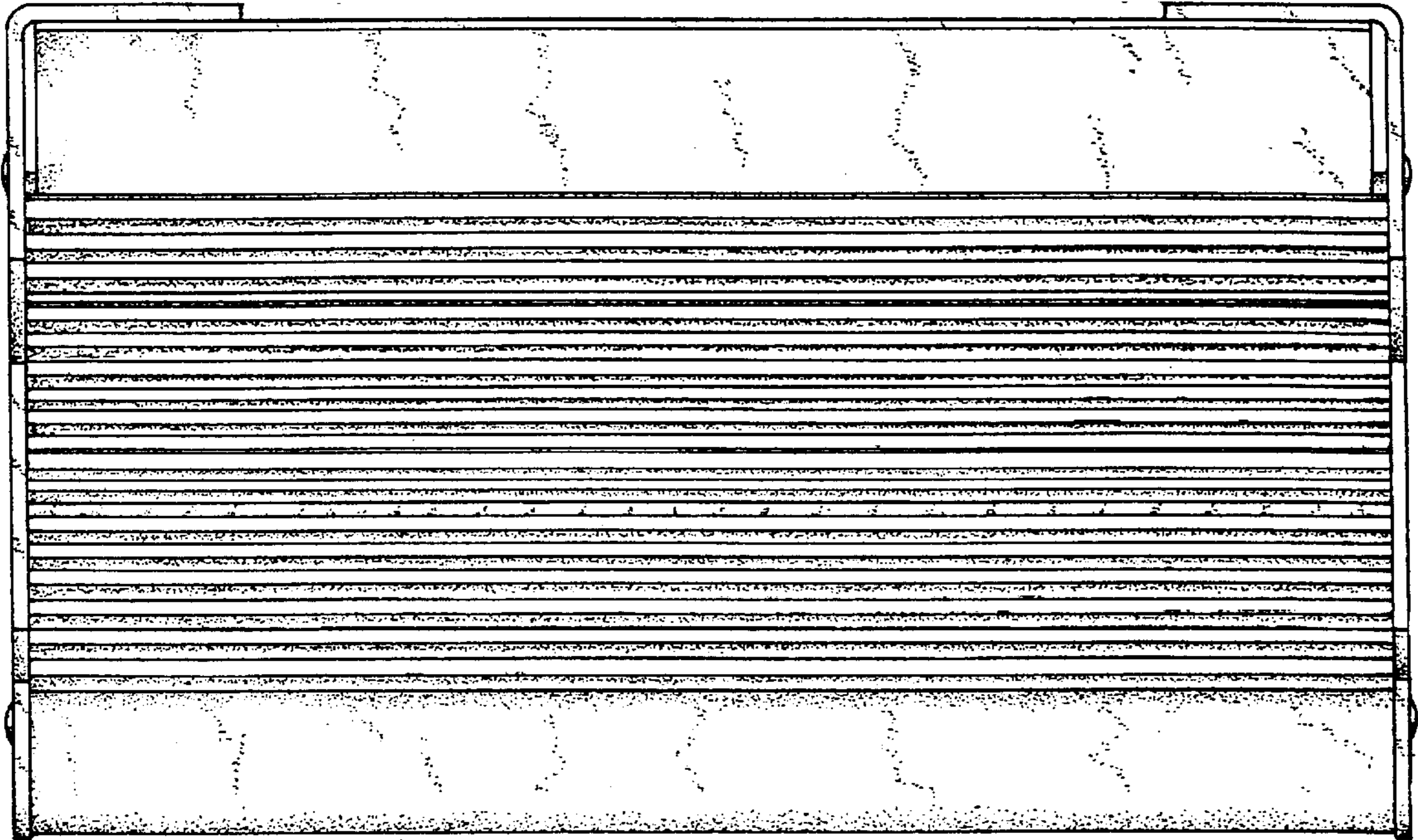


FIG. 2

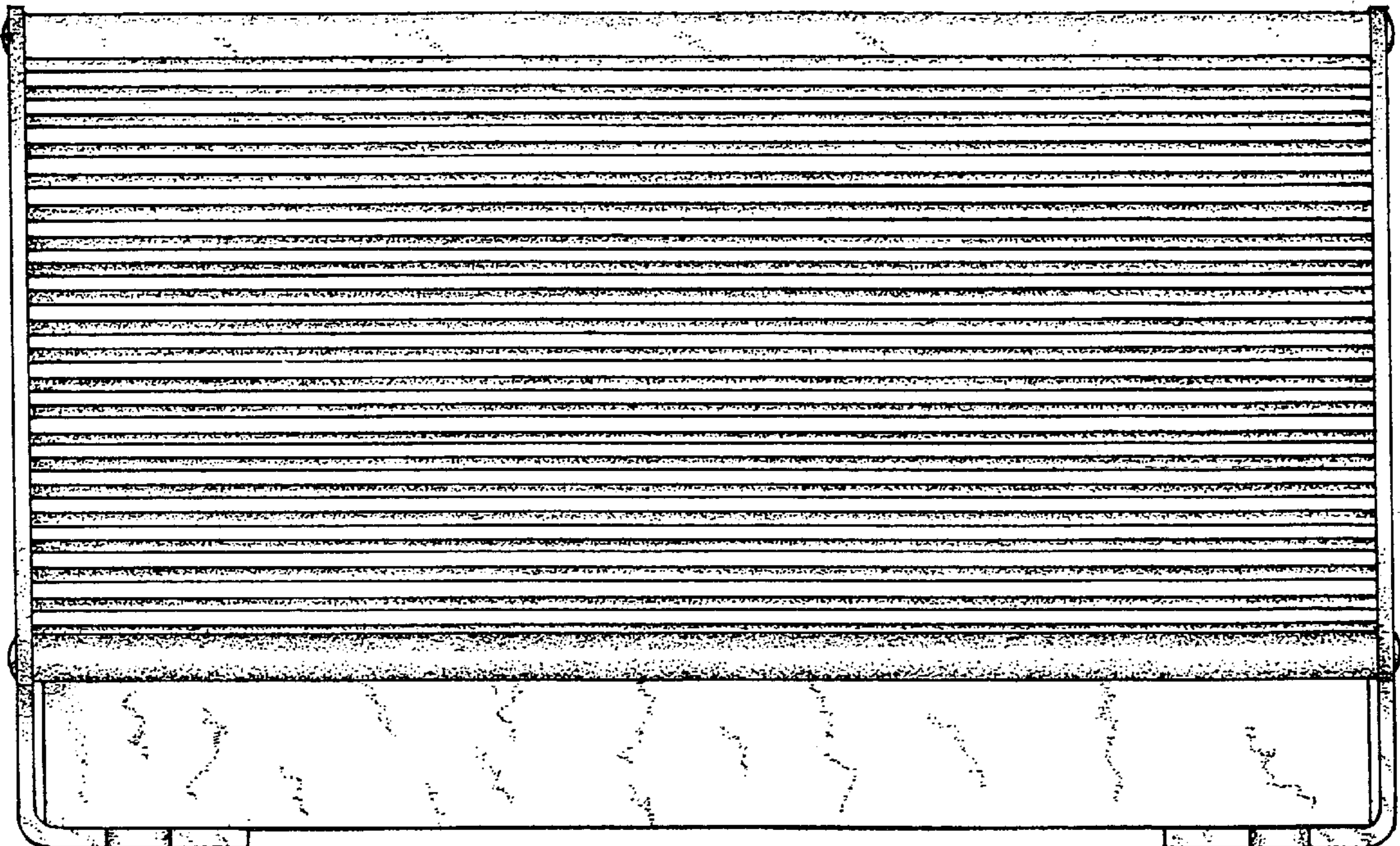


FIG. 3

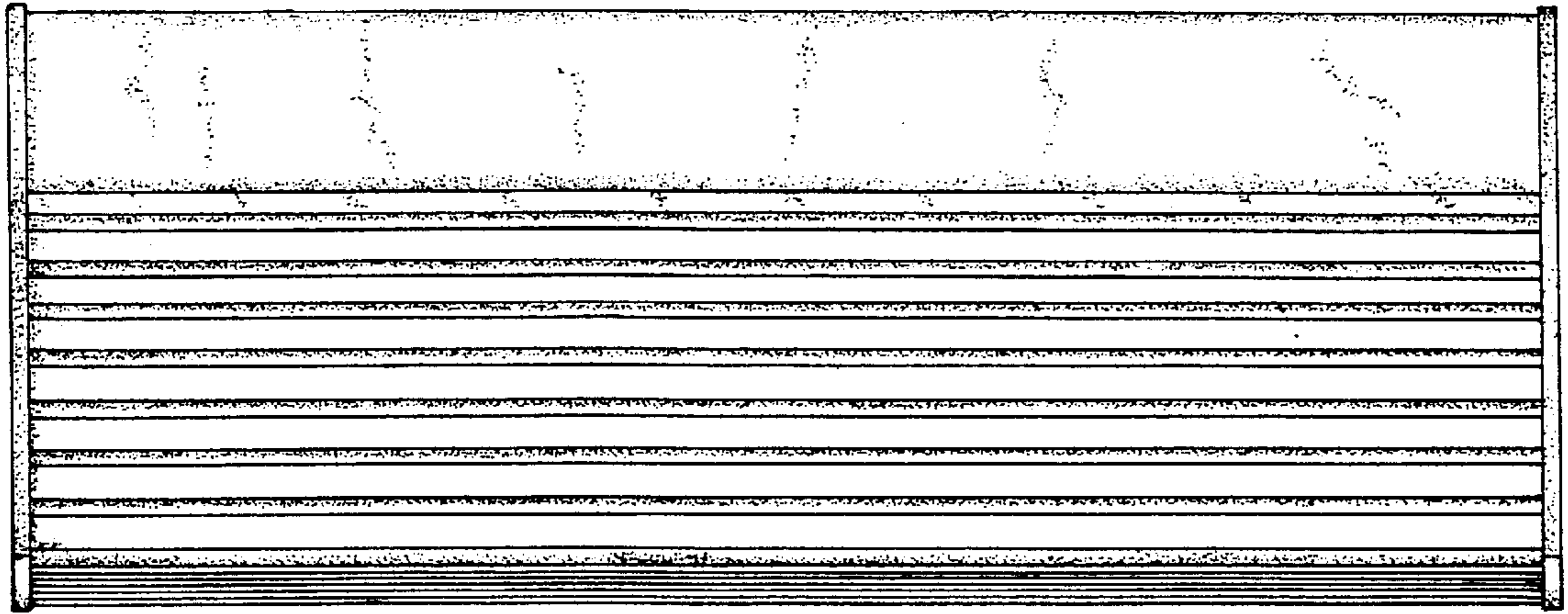


FIG. 4

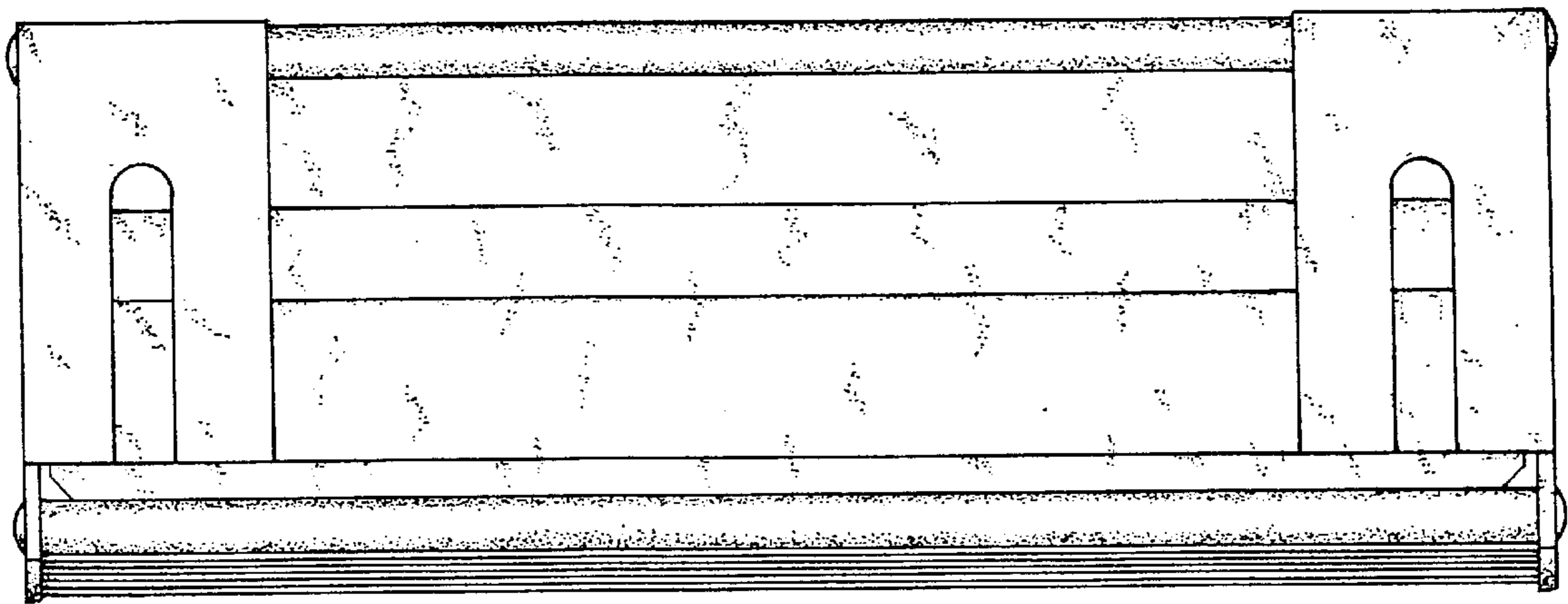


FIG. 5

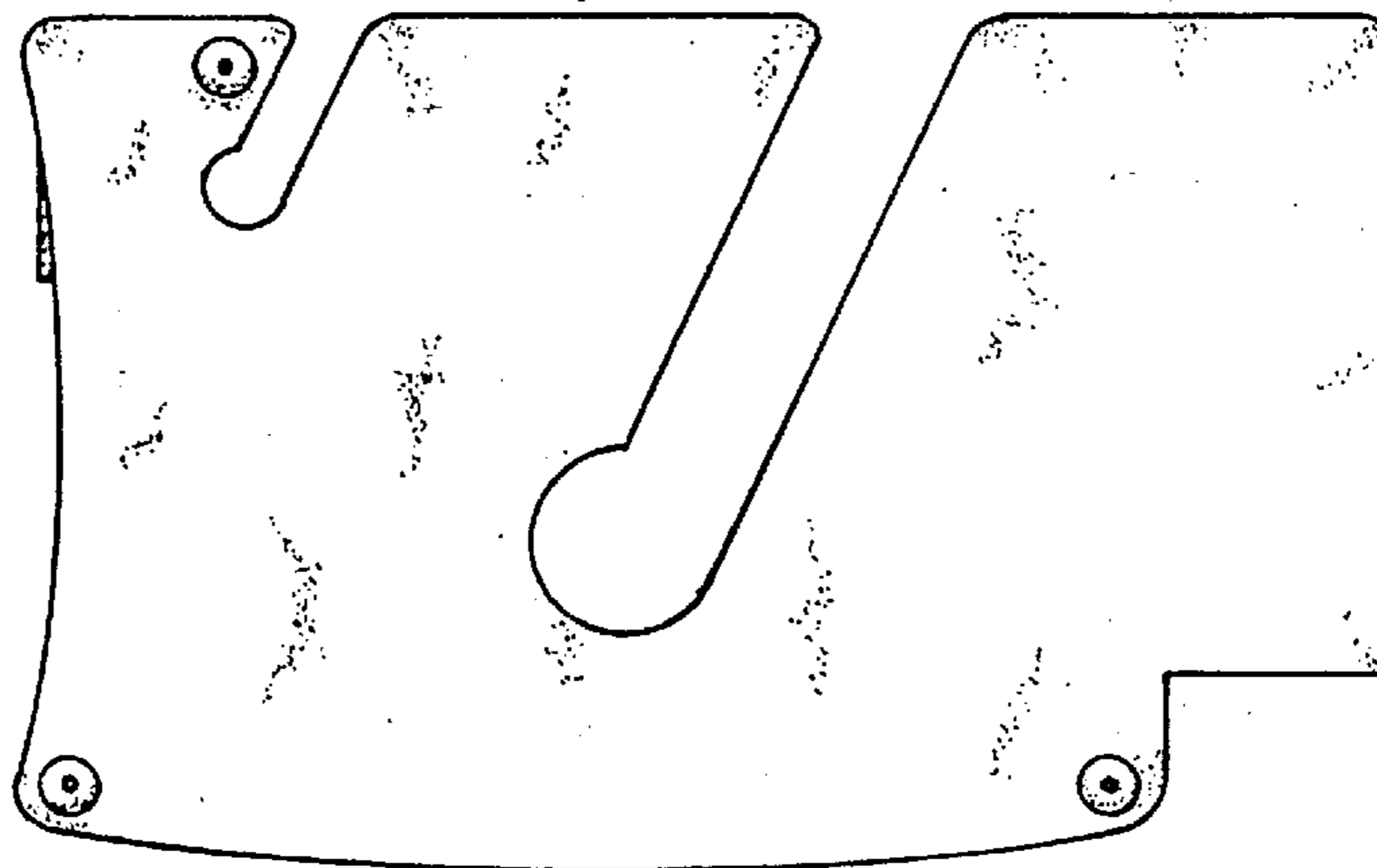


FIG. 6