



US00D431025S

United States Patent [19] Lok

[11] **Patent Number: Des. 431,025**

[45] **Date of Patent: ** Sep. 19, 2000**

[54] **ELECTRICAL CONNECTOR**

D. 409,570	5/1999	Wu	D13/147
5,865,646	2/1999	Ortega et al.	439/607
6,056,600	5/2000	Watanabe et al.	439/607

[75] Inventor: **Gordon Lok**, La Habra, Calif.

[73] Assignee: **Hon Hai Precision Ind. Co., Ltd.**,
Taiepi Hsien, Taiwan

Primary Examiner—Joel Sincavage
Attorney, Agent, or Firm—Wei Te Chung

[**] Term: **14 Years**

[57] **CLAIM**

[21] Appl. No.: **29/119,647**

The ornamental design for an electrical connector, as shown.

[22] Filed: **Mar. 3, 2000**

DESCRIPTION

[51] **LOC (7) Cl.** **13-03**

[52] **U.S. Cl.** **D13/147**

[58] **Field of Search** D13/146, 147;
439/607-610, 660, 686, 79

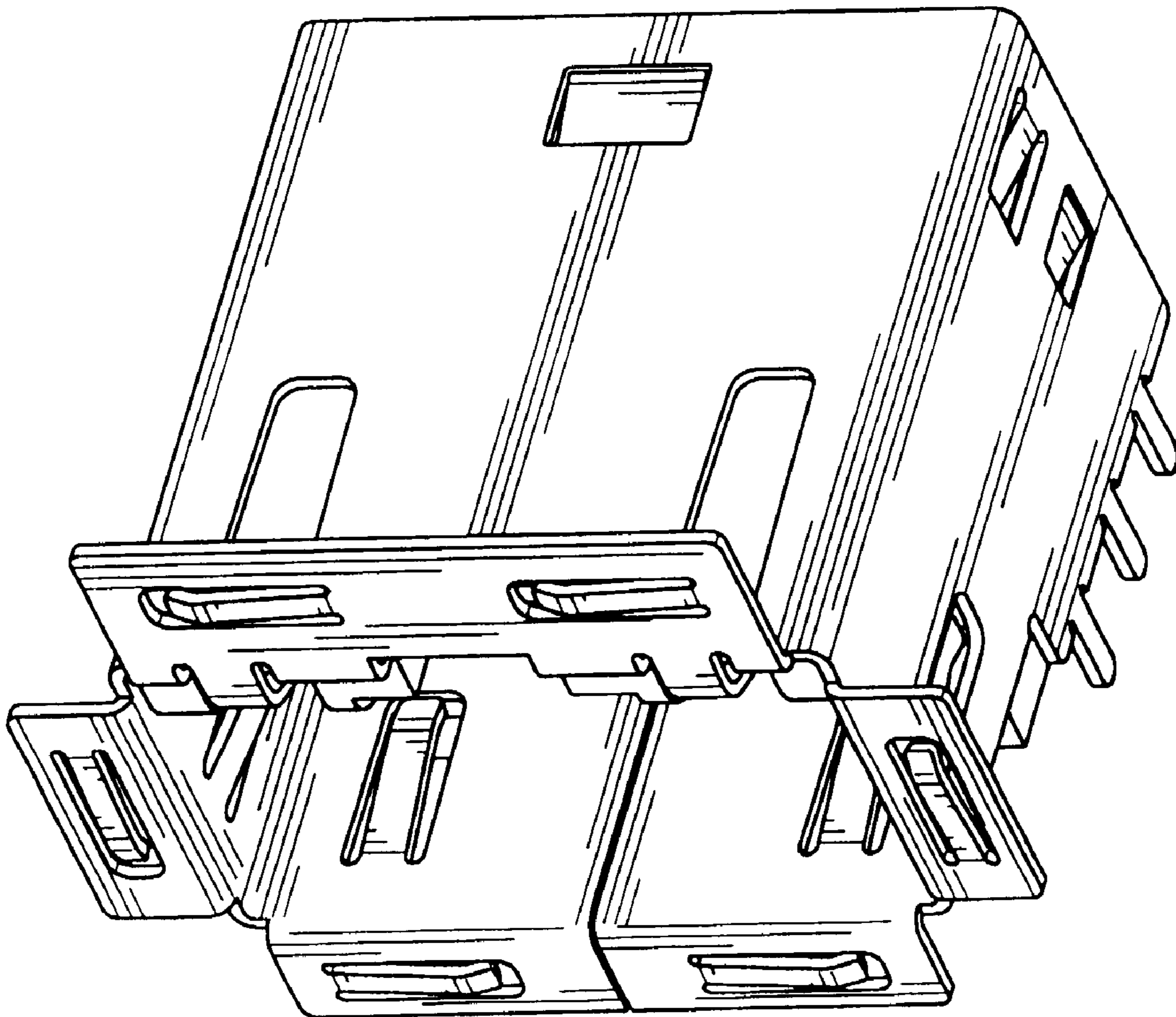
FIG. 1 is a front, top and right side perspective view of an electrical connector showing my new design; FIG. 2 is a front elevational view thereof; FIG. 3 is a rear elevational view thereof; FIG. 4 is a left side elevational view thereof; FIG. 5 is a right side elevational view thereof; FIG. 6 is a top plan view thereof; and, FIG. 7 is a bottom plan view thereof.

[56] **References Cited**

U.S. PATENT DOCUMENTS

D. 344,492	2/1994	Nakamura	D13/147
D. 399,489	10/1998	Nishio et al.	D13/147

1 Claim, 7 Drawing Sheets



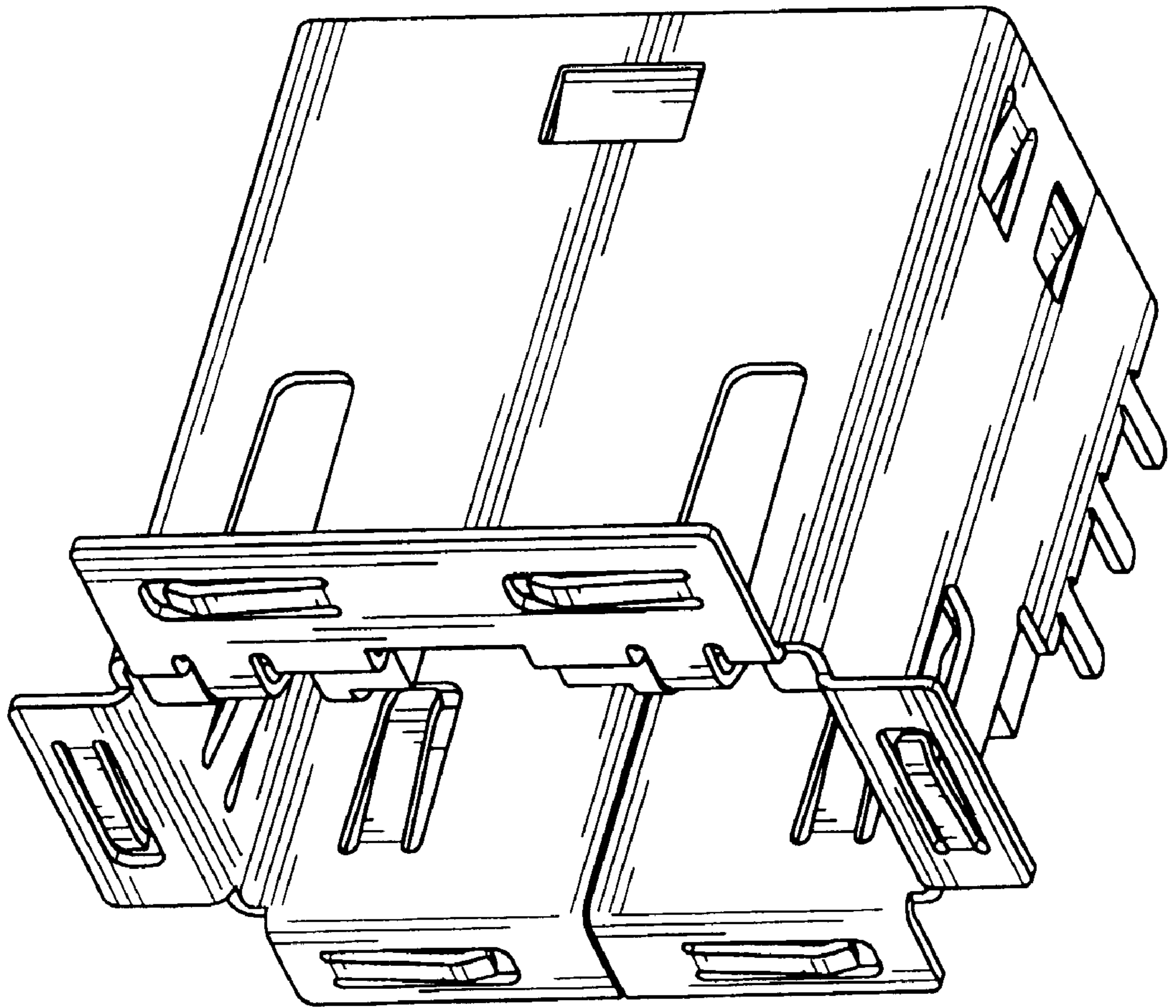


FIG. 1

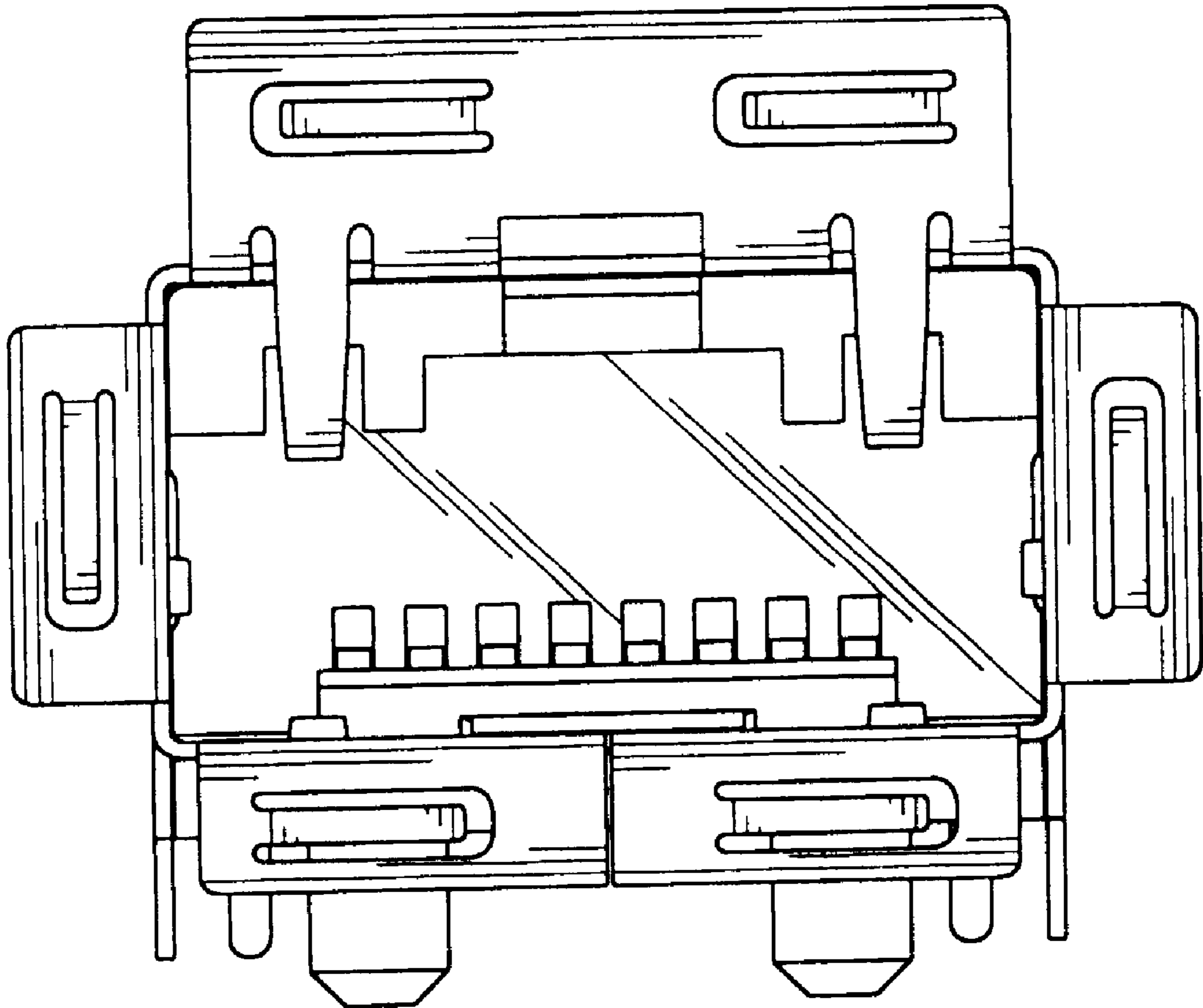


FIG. 2

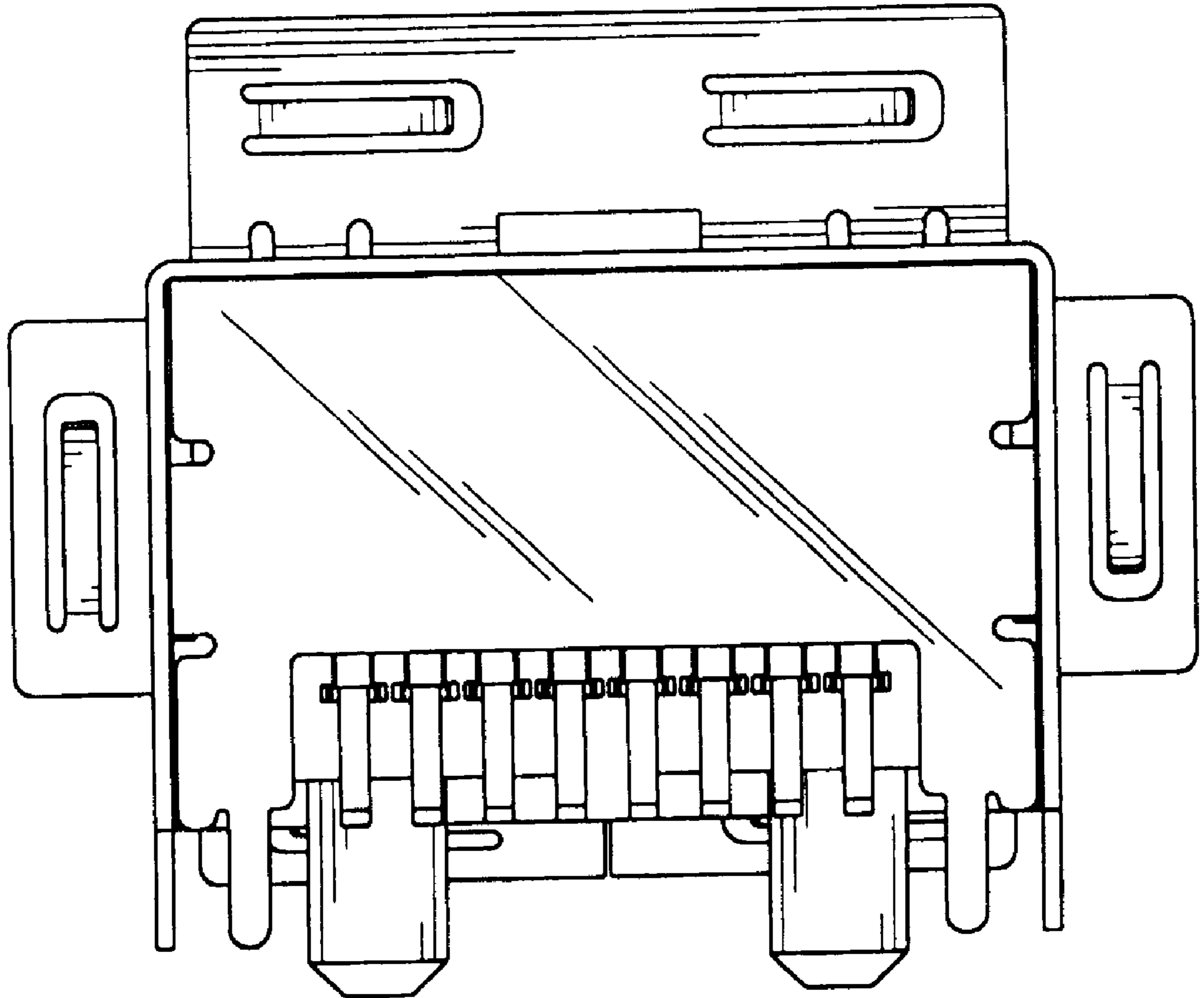


FIG. 3

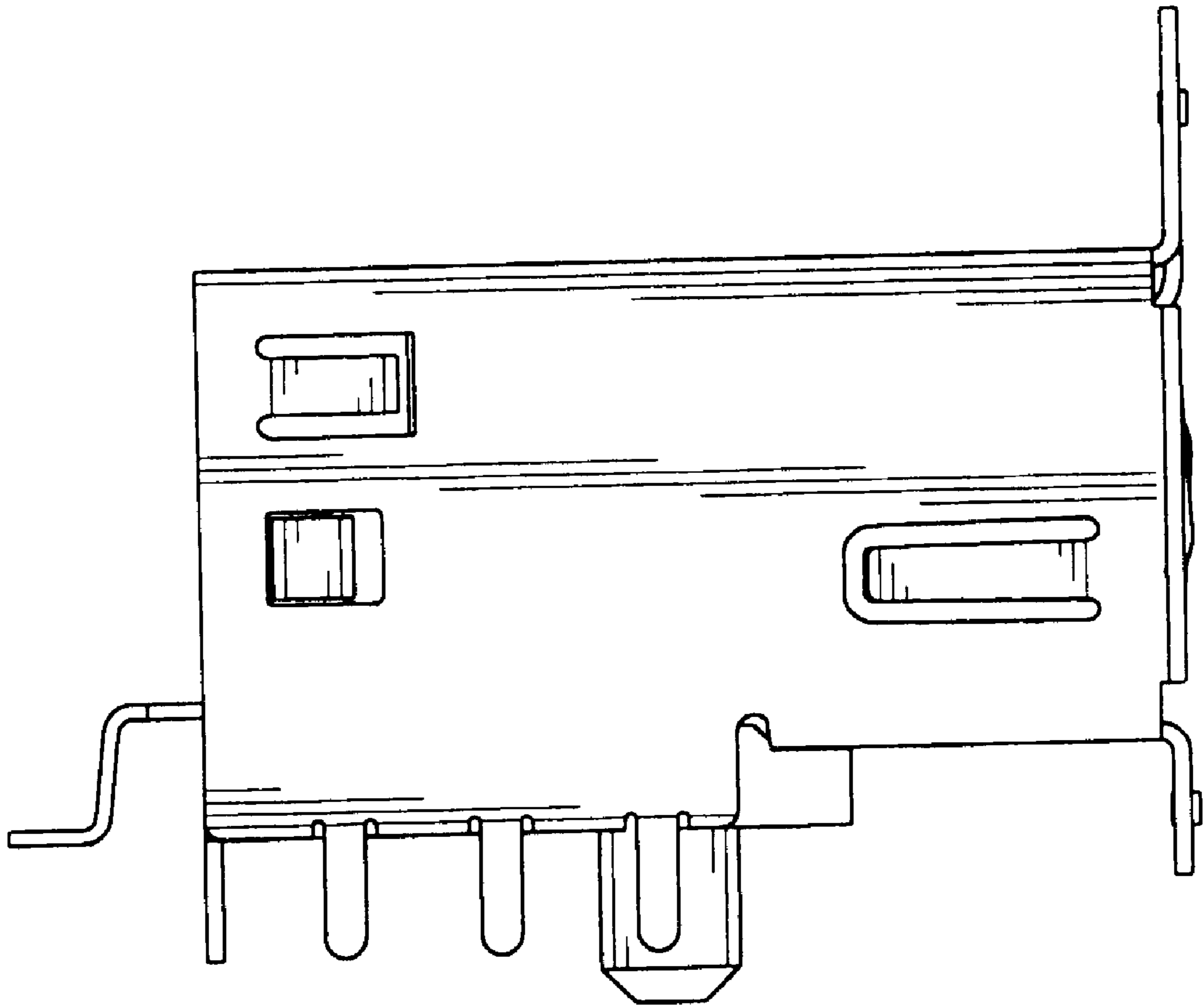


FIG. 4

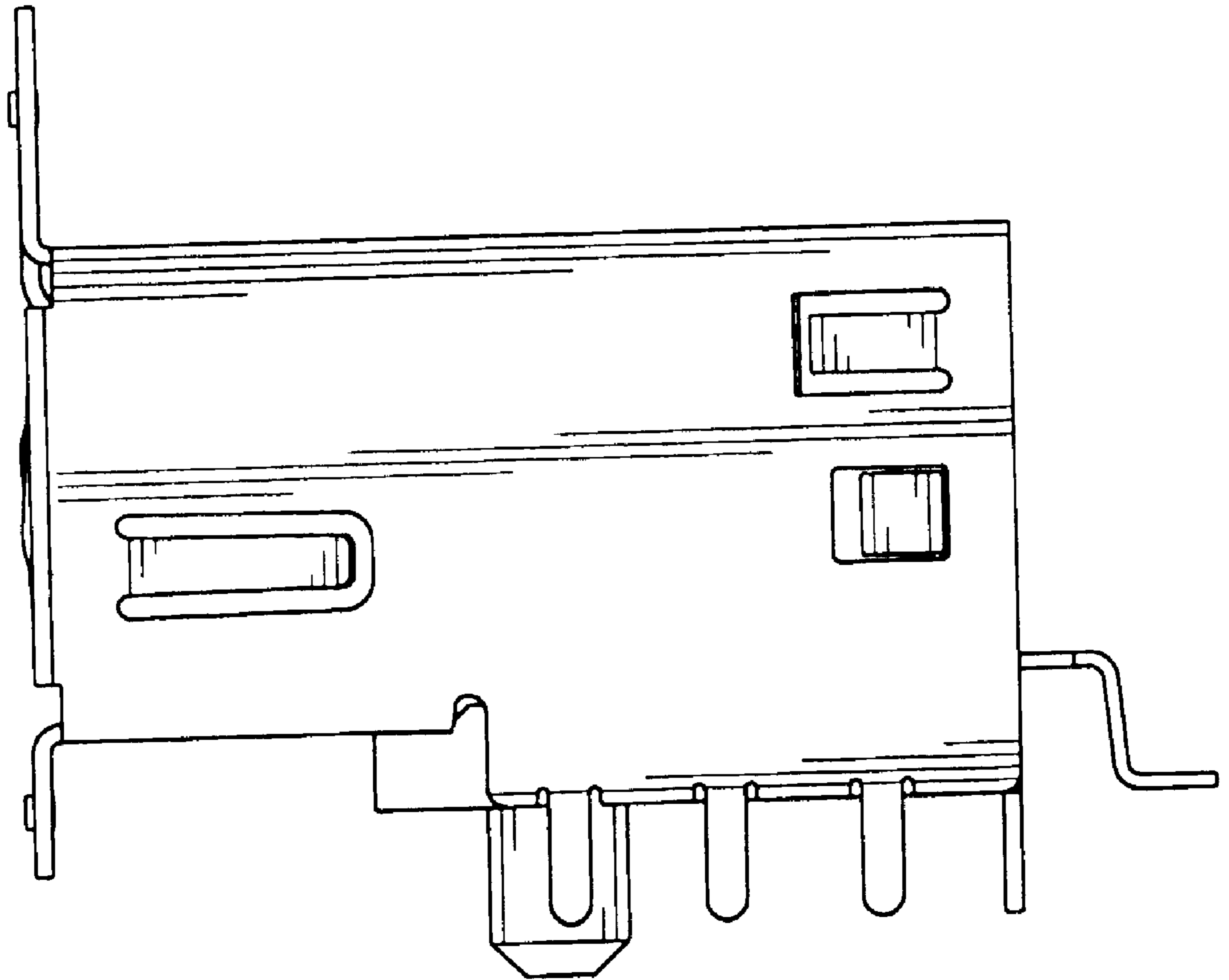


FIG. 5

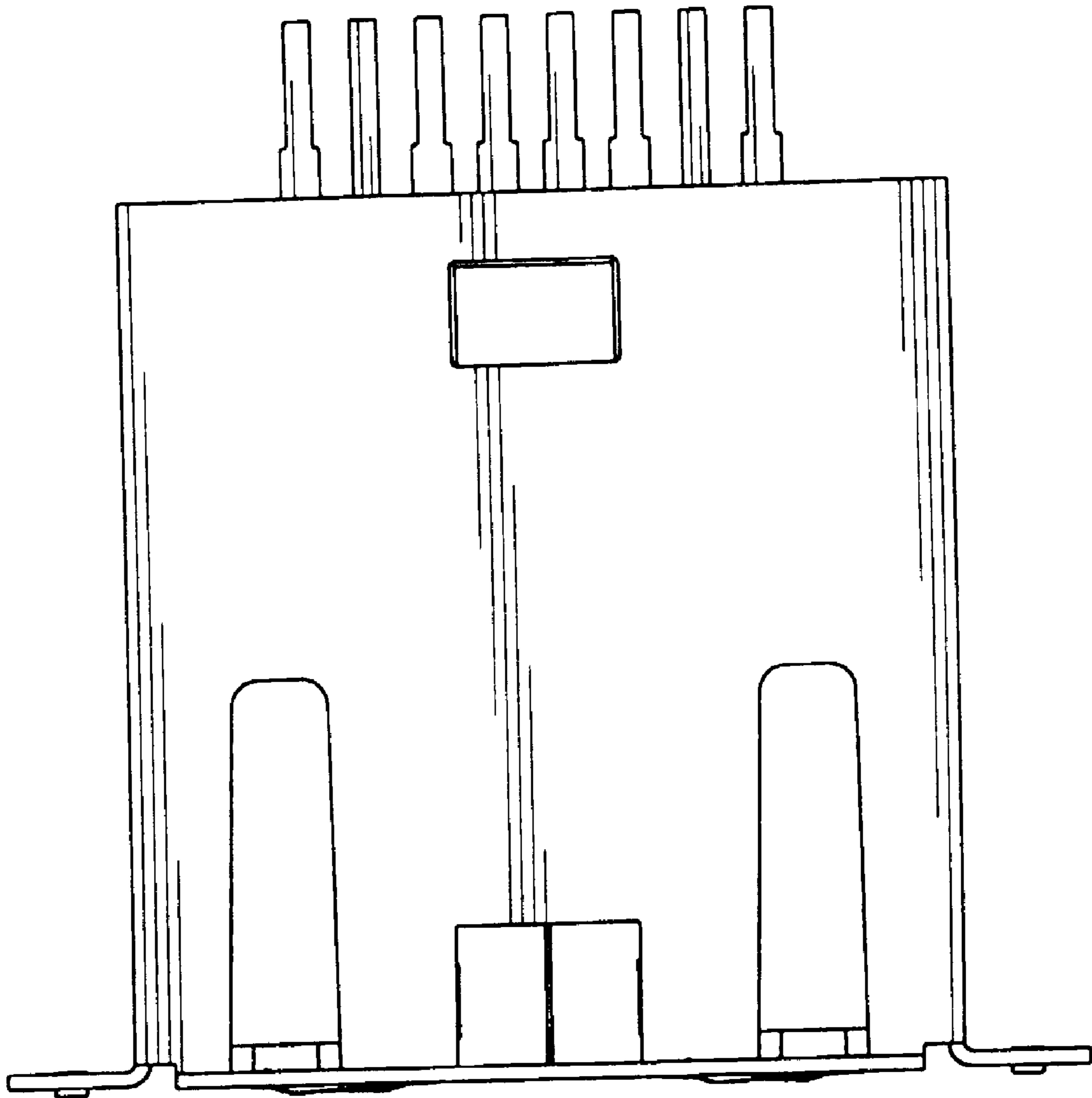


FIG. 6

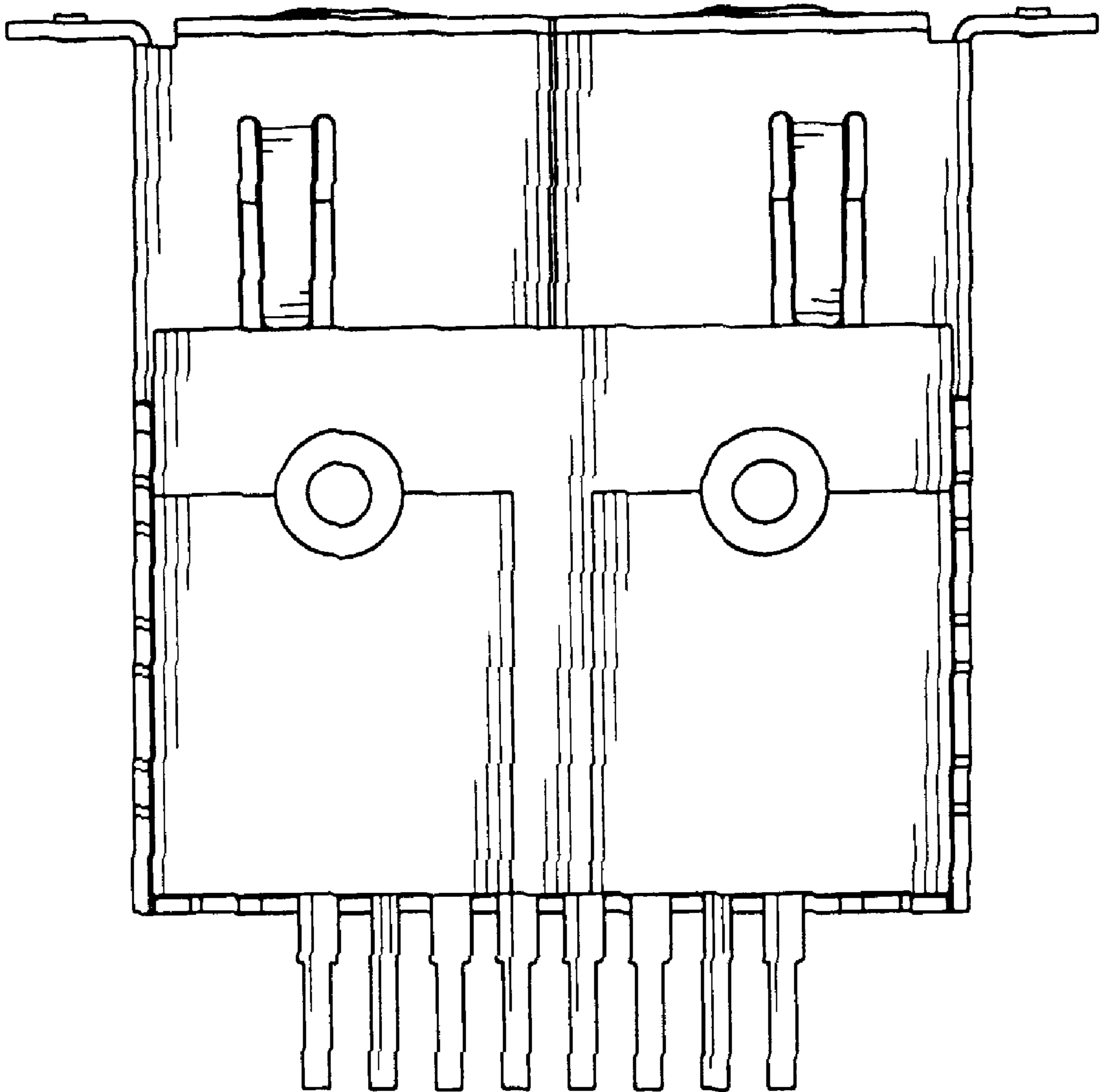


FIG. 7