



US00D431024S

United States Patent [19] Lok

[11] **Patent Number: Des. 431,024**

[45] **Date of Patent: ** Sep. 19, 2000**

[54] **STACKED CONNECTOR**

[75] Inventor: **Gordon Lok**, La Habra, Calif.

[73] Assignee: **Hon Hai Precision Ind. Co., Ltd.**,
Taipei Hsien, Taiwan

[**] Term: **14 Years**

[21] Appl. No.: **29/116,189**

[22] Filed: **Dec. 28, 1999**

[51] **LOC (7) Cl.** **13-03**

[52] **U.S. Cl.** **D13/147**

[58] **Field of Search** D13/146, 147;
439/607-610, 76.1, 79, 83, 541.5

[56] **References Cited**

U.S. PATENT DOCUMENTS

- D. 411,174 6/1999 Huang D13/147
- D. 414,161 9/1999 Huang D13/147
- D. 414,162 9/1999 Huang D13/147

- 5,085,590 2/1992 Galloway 439/607 X
- 5,336,109 8/1994 Hillbish et al. 439/541.5
- 5,823,822 10/1998 Tan et al. 439/541.5
- 6,033,258 3/2000 Huang et al. 439/541.5

Primary Examiner—Joel Sincavage
Attorney, Agent, or Firm—Wei Te Chuhg

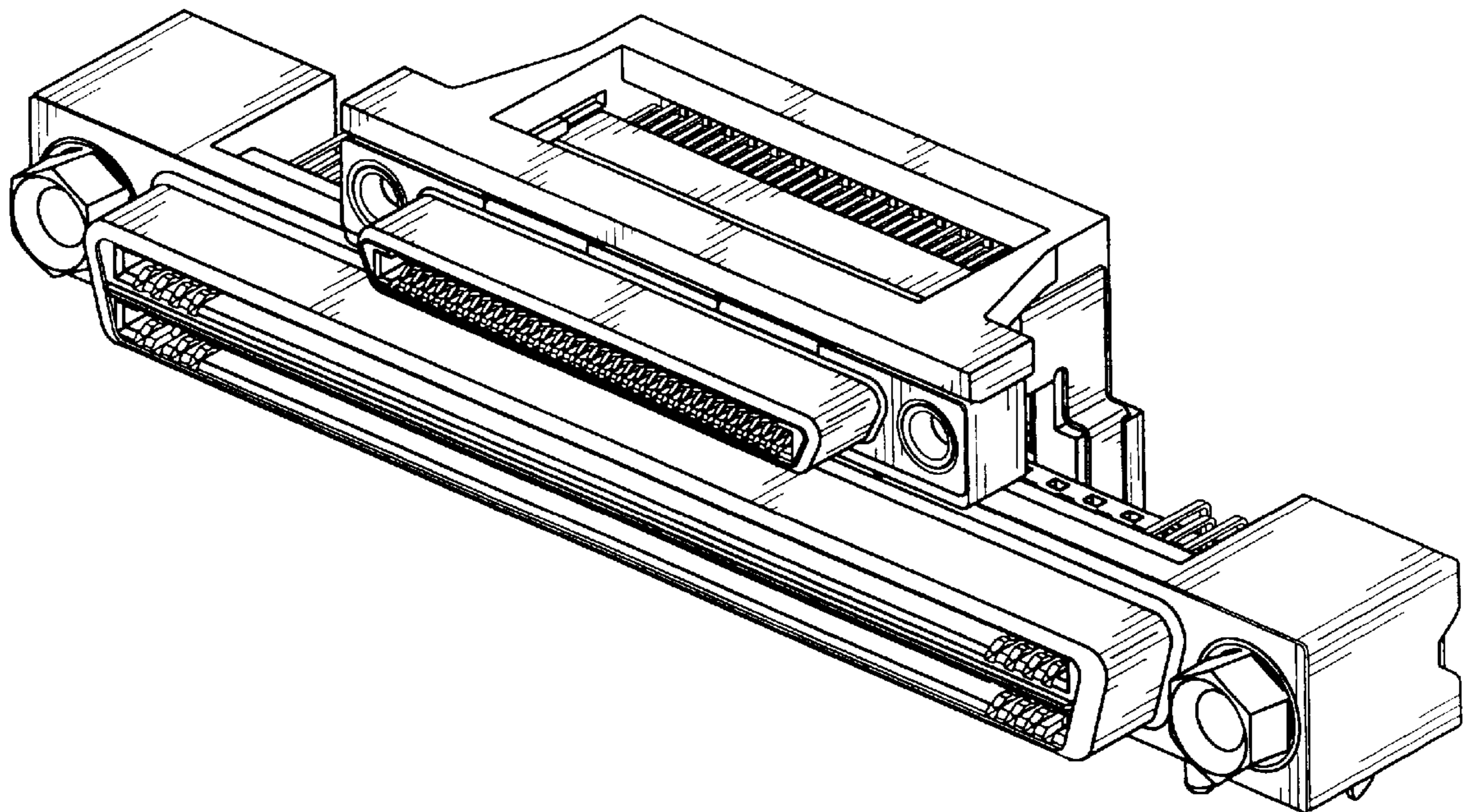
[57] **CLAIM**

The ornamental design for a stacked connector, as shown.

DESCRIPTION

FIG. 1 is a front, top and right side perspective view of a stacked connector showing my new design; FIG. 2 is a front elevational view thereof; FIG. 3 is a rear elevational view thereof; FIG. 4 is a left side elevational view thereof; FIG. 5 is a right side elevational view thereof; FIG. 6 is a top plan view thereof; and, FIG. 7 is a bottom plan view thereof.

1 Claim, 6 Drawing Sheets



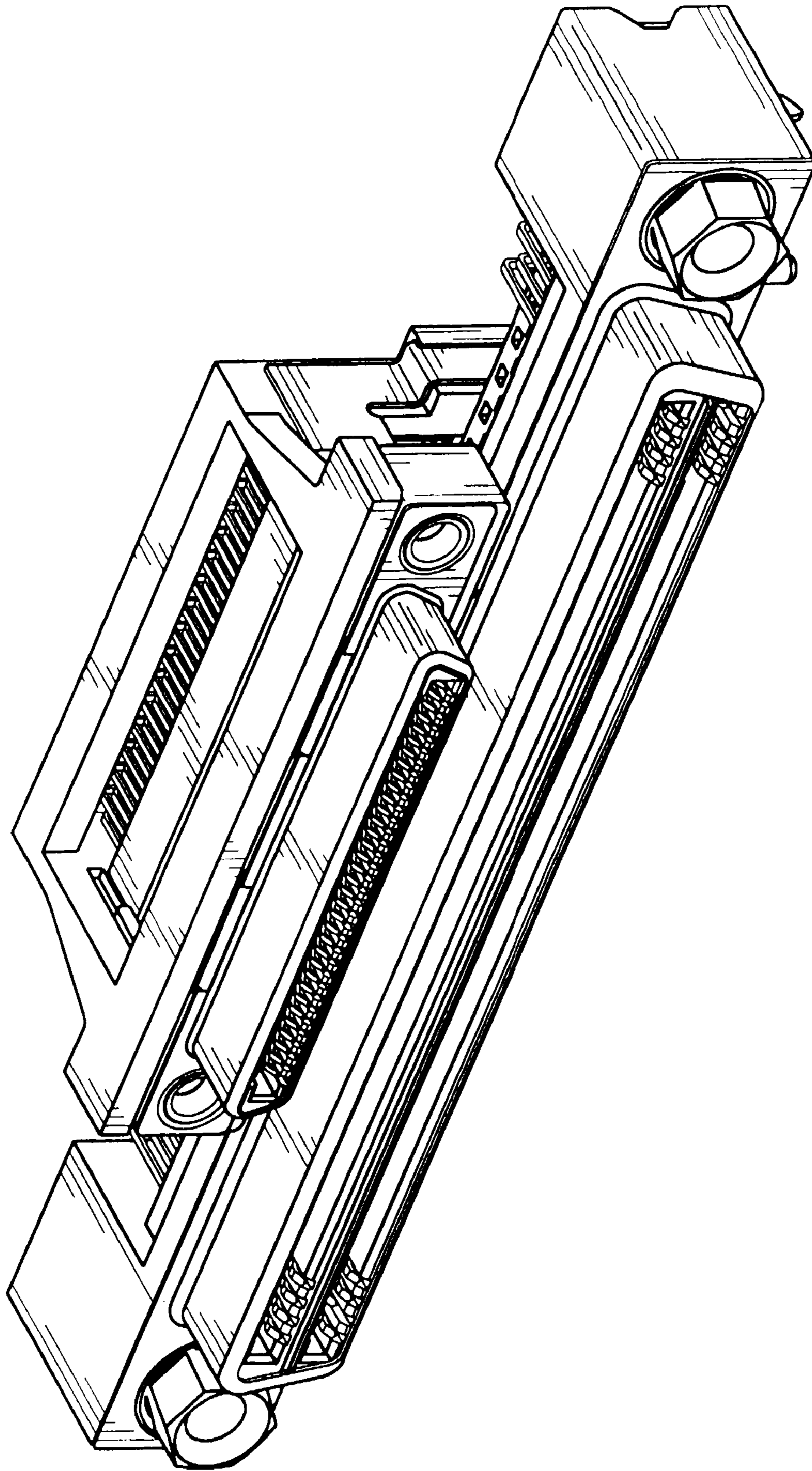


FIG. 1

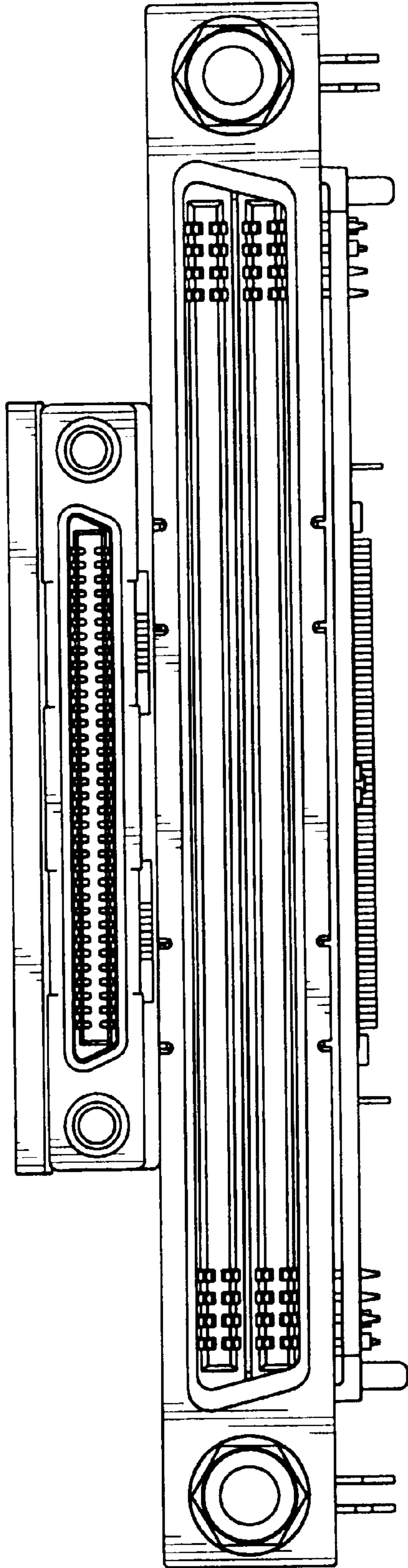


FIG. 2

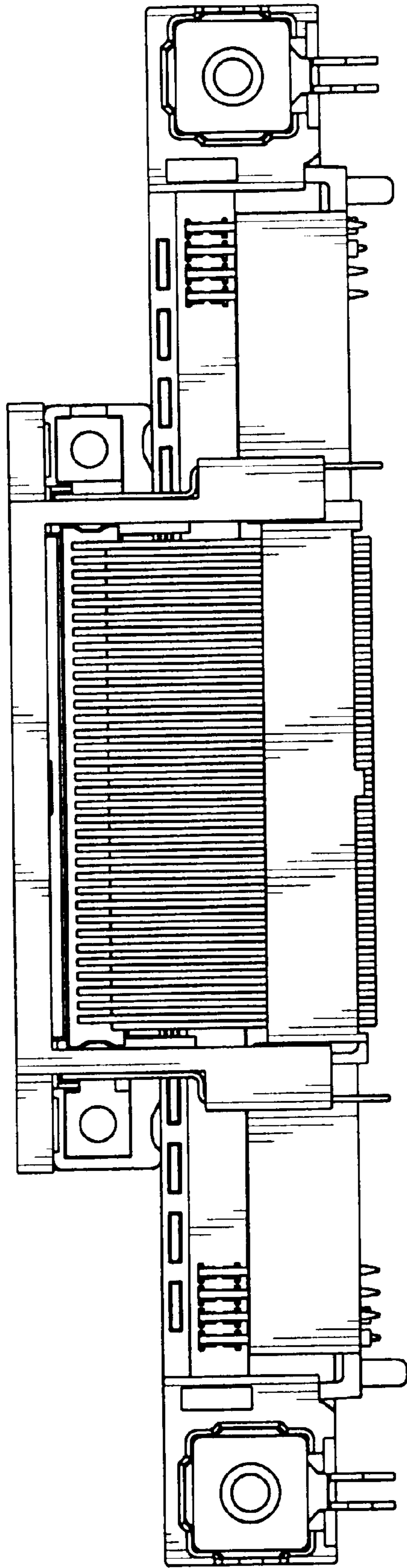


FIG. 3

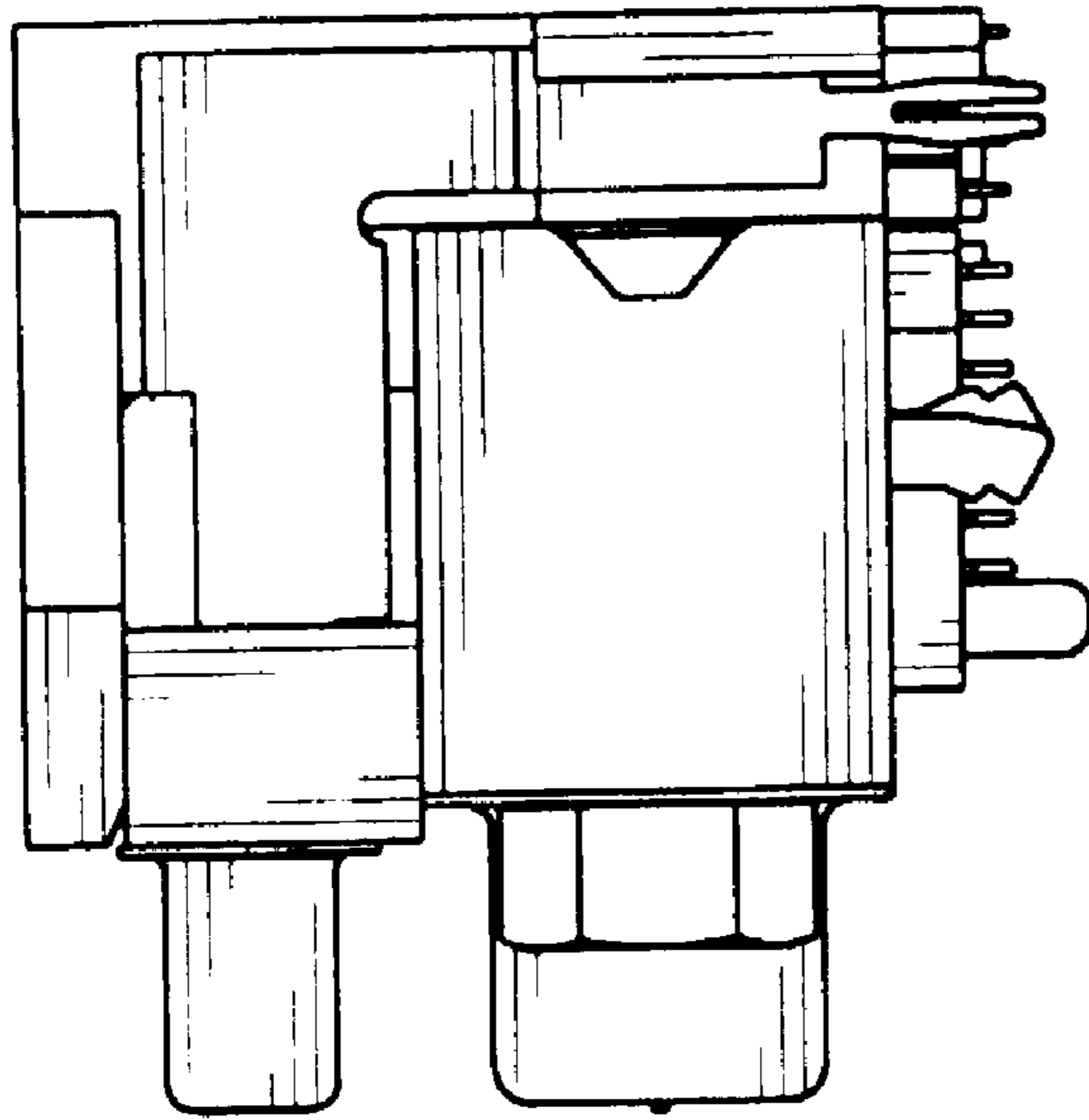


FIG. 5

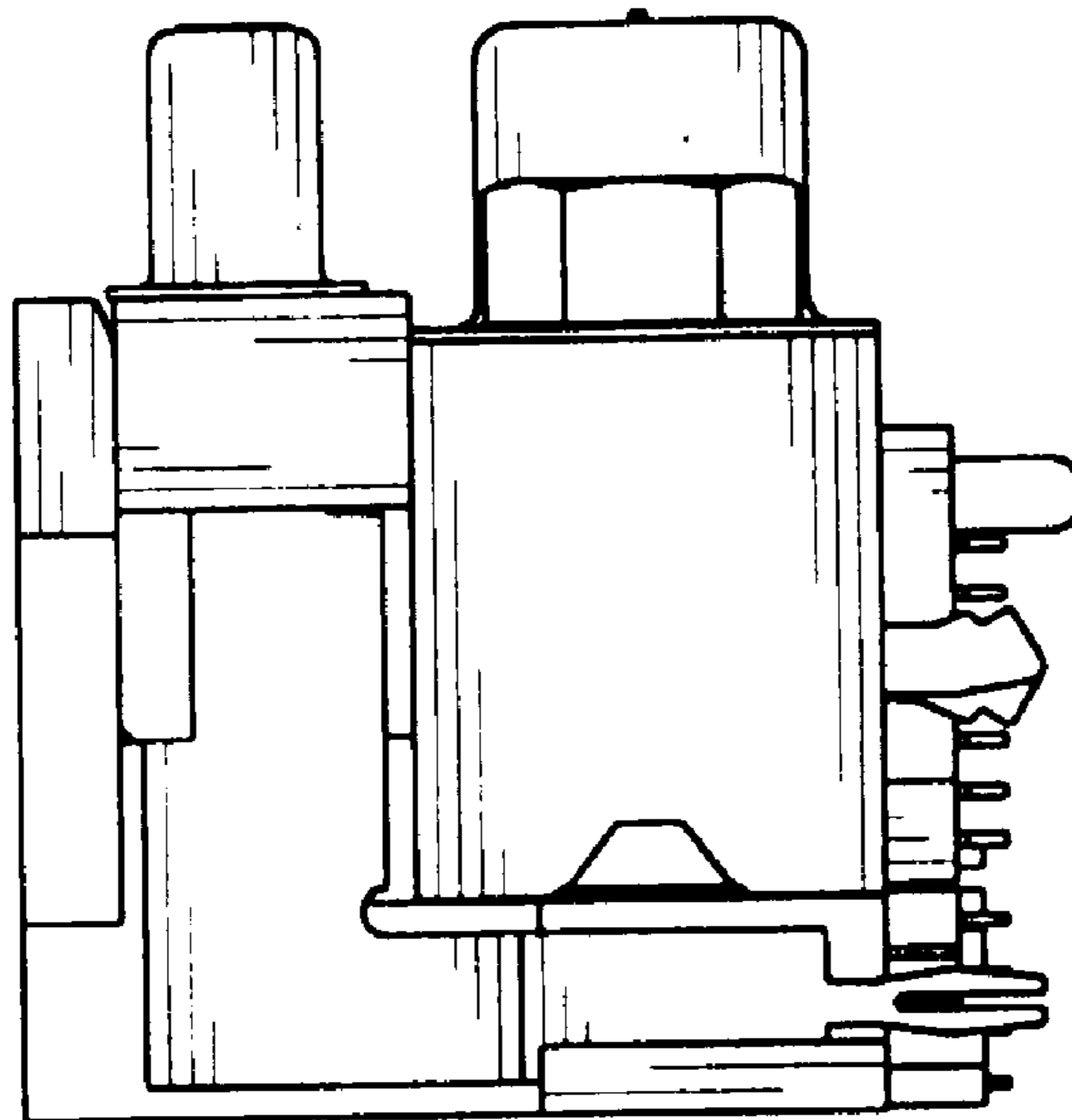


FIG. 4

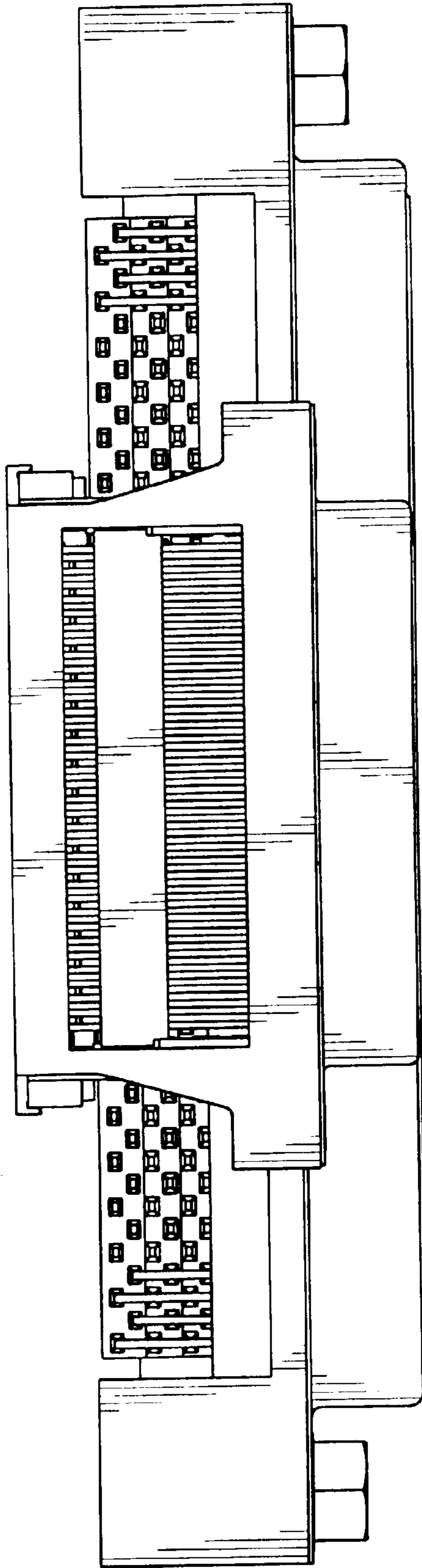


FIG. 6

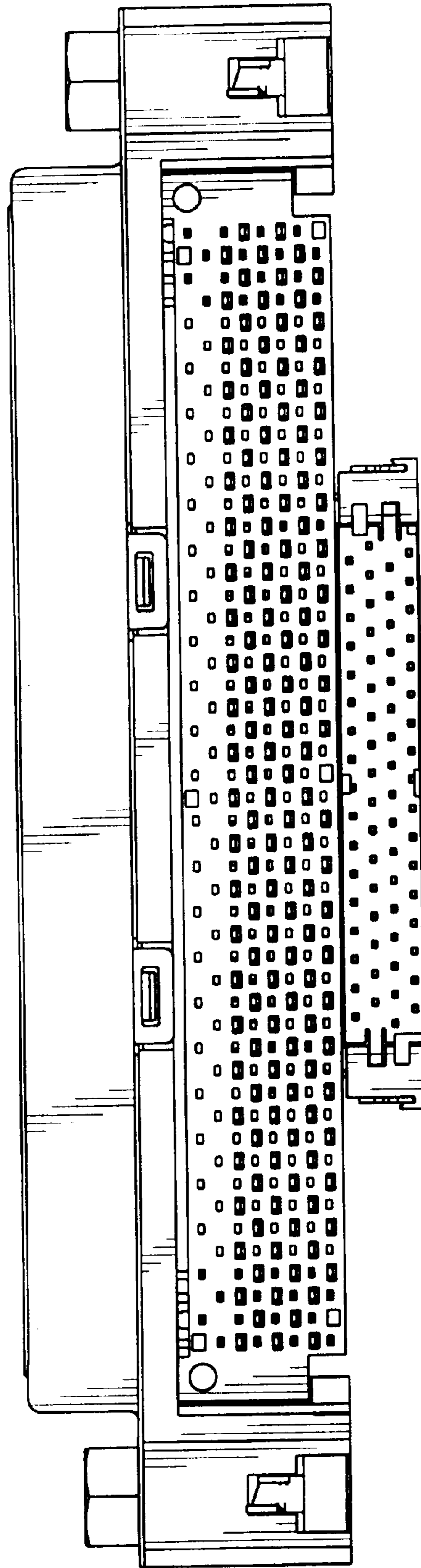


FIG. 7