



US00D431019S

United States Patent [19]

[11] Patent Number: Des. 431,019

Richter

[45] Date of Patent: ** Sep. 19, 2000

[54] STEERING WHEEL MOUNTABLE LAP TOP TABLE

[76] Inventor: Herbert Richter, Drosselweg 8, 75331, Engelbrand, Germany

[**] Term: 14 Years

[21] Appl. No.: 29/110,660

[22] Filed: Sep. 13, 1999

[51] LOC (7) Cl. 12-16

[52] U.S. Cl. D12/426.1; D6/406.4

[58] Field of Search D12/400, 426.1, D12/415, 420, 423-425; D6/406.1-406.6, 396, 419, 420, 429; D19/75, 78, 92; 108/44-45; 248/917-921, 441.1, 450-453, 445, 444.7, 447.1; 224/276

[56] References Cited

U.S. PATENT DOCUMENTS

D. 312,358	11/1990	Horne	D6/406
D. 319,357	8/1991	Horne	D6/406
D. 335,226	5/1993	Horne	D6/406
D. 360,318	7/1995	Kinnard, Sr. et al.	D6/406
D. 365,219	12/1995	Tange	D6/406
2,856,251	10/1958	Garrison	108/44 X
4,375,881	3/1983	Mitchell	248/441.1
4,974,805	12/1990	Douglas	248/447.1

4,995,637	2/1991	Muraishi	108/44 X
5,060,581	10/1991	Malinski	108/44
5,177,665	1/1993	Frank et al.	108/44 X
5,193,777	3/1993	Faulstich	248/441.1
5,386,785	2/1995	Naor	108/44
5,487,521	1/1996	Callahan	248/441.1

Primary Examiner—Doris V. Coles
Assistant Examiner—Stacia Cadmus
Attorney, Agent, or Firm—Klaus J. Bach

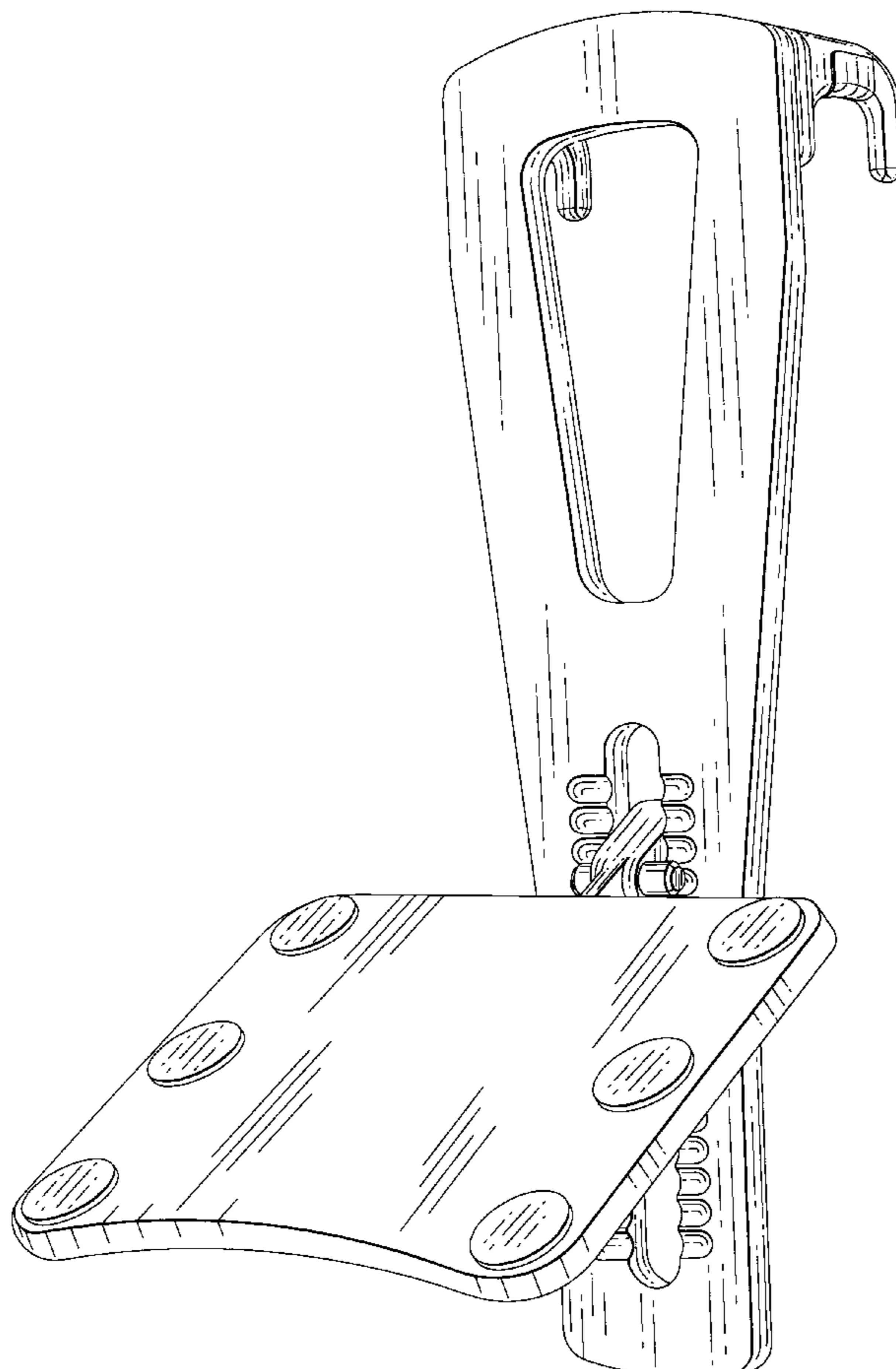
[57] CLAIM

The ornamental design for a steering wheel mountable lap top table, as shown and described.

DESCRIPTION

FIG. 1 is a perspective view of the steering wheel mountable lap top table with height adjustable table plate;
FIG. 2 is a front view of the steering wheel mountable lap top table shown in FIG. 1;
FIG. 3 is a side view of the steering wheel mountable lap top table shown in FIG. 2;
FIG. 4 is a top view of the steering wheel mountable lap top table shown in FIG. 2;
FIG. 5 is a bottom view of the steering wheel mountable lap top table shown in FIG. 2; and,
FIG. 6 is a back view of the steering wheel mountable lap top table shown in FIG. 2.

1 Claim, 6 Drawing Sheets



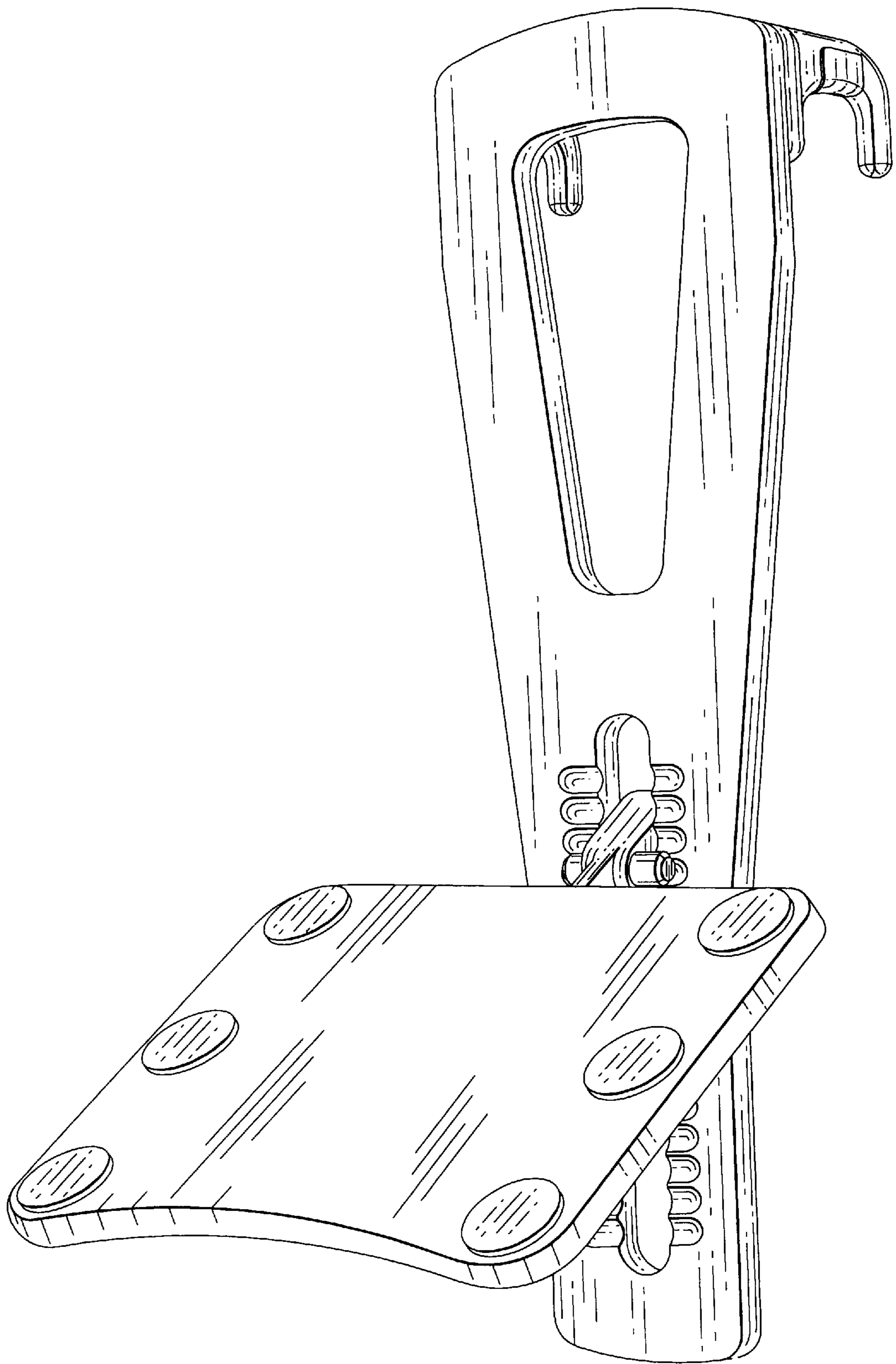


FIG. 1

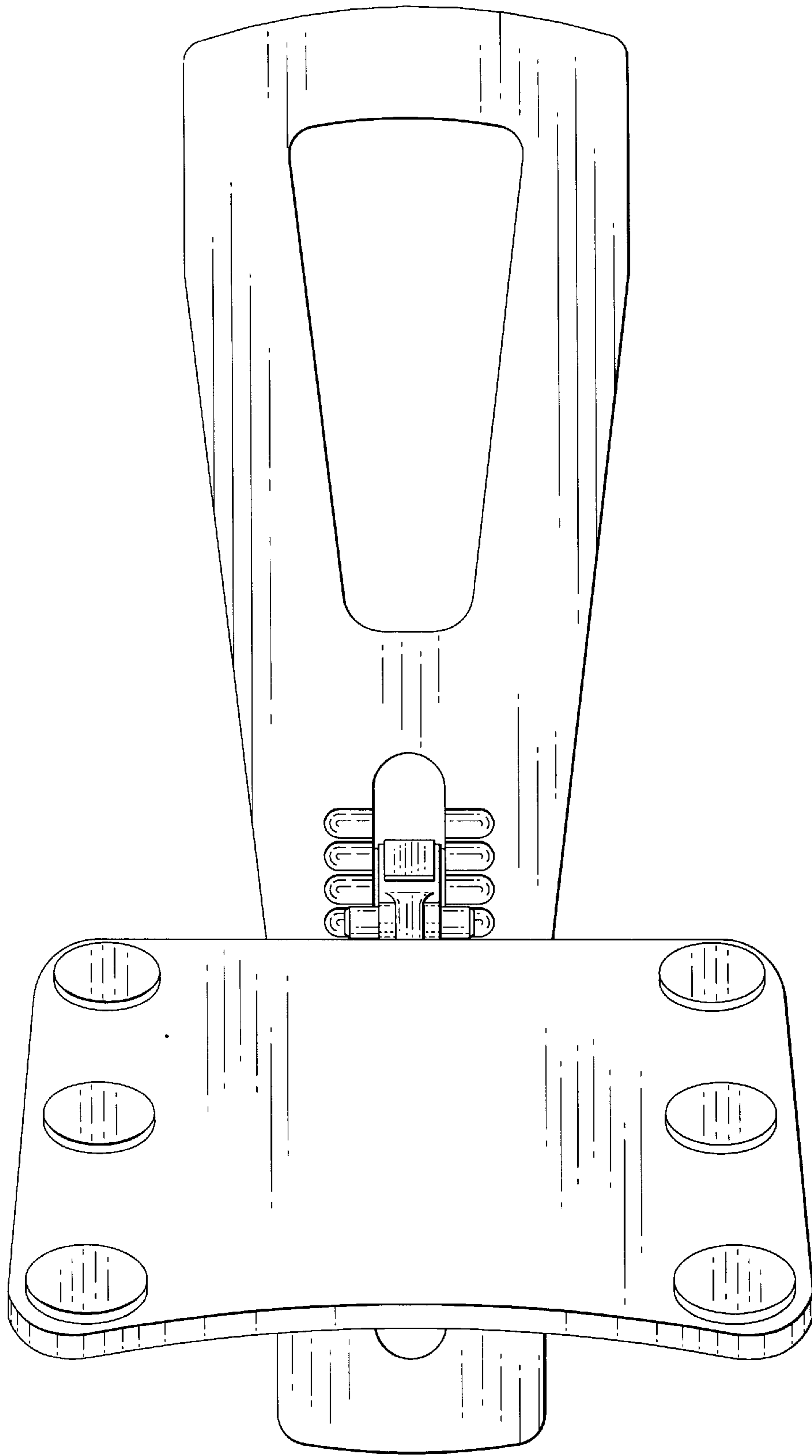


FIG. 2

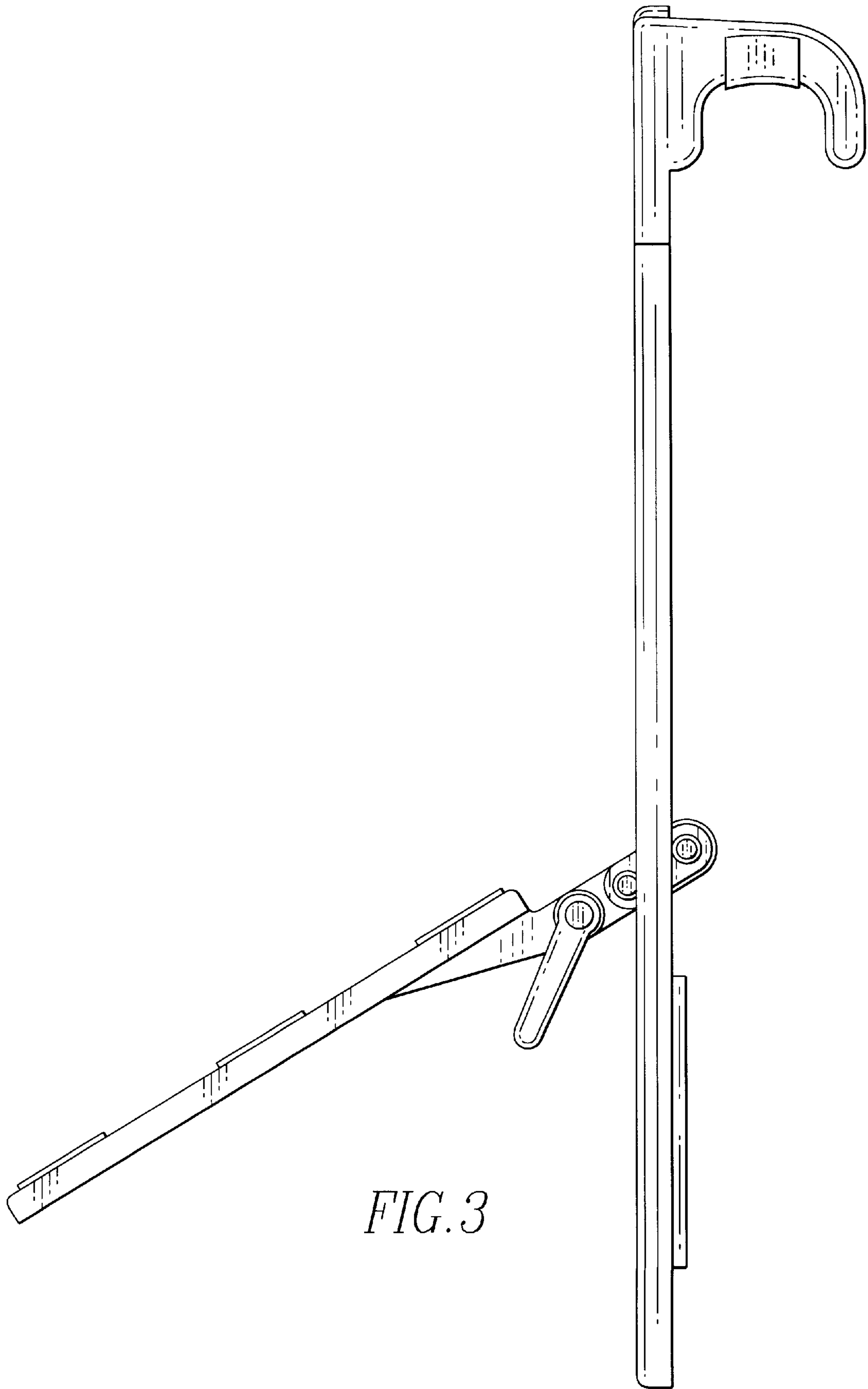


FIG. 3

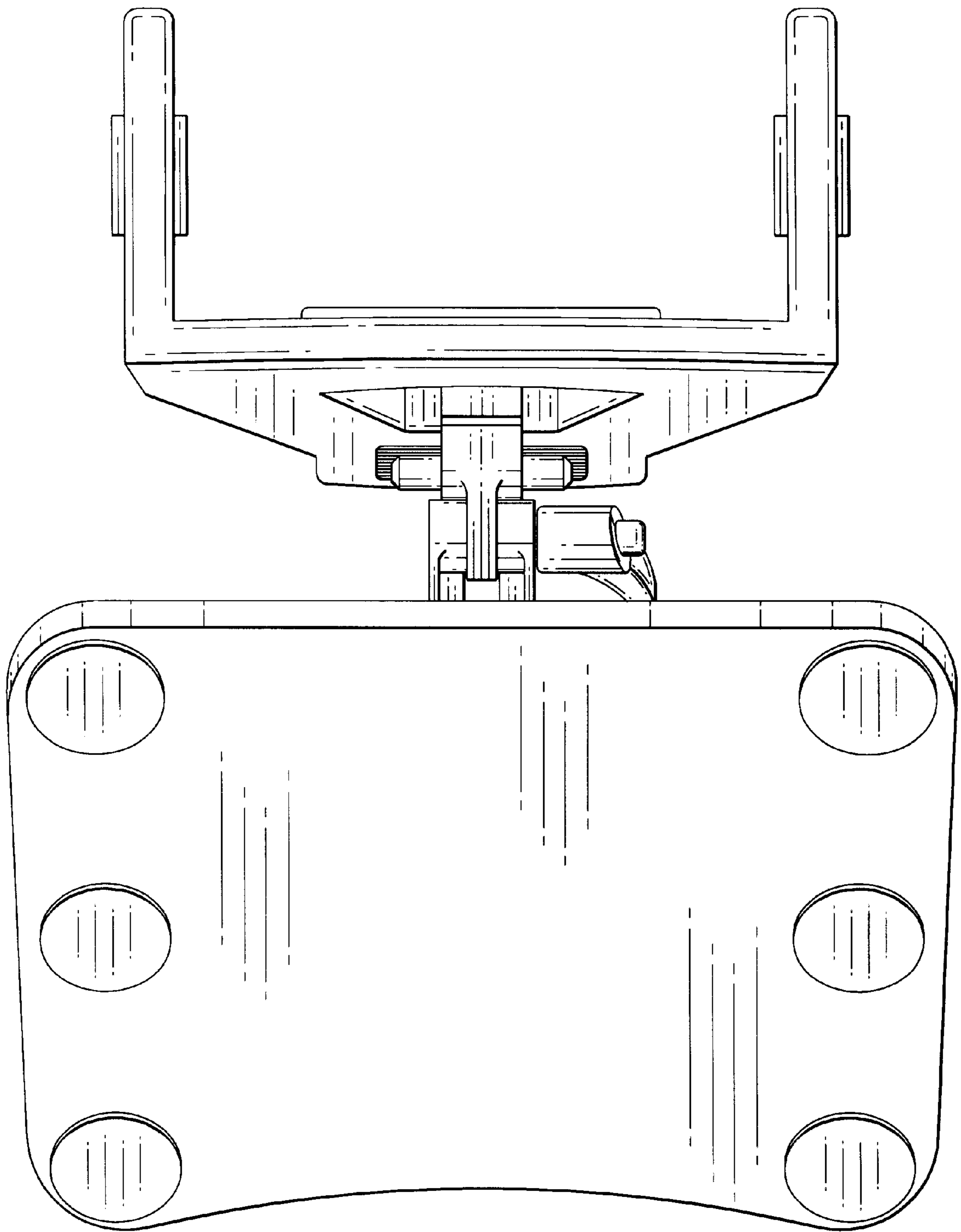


FIG. 4

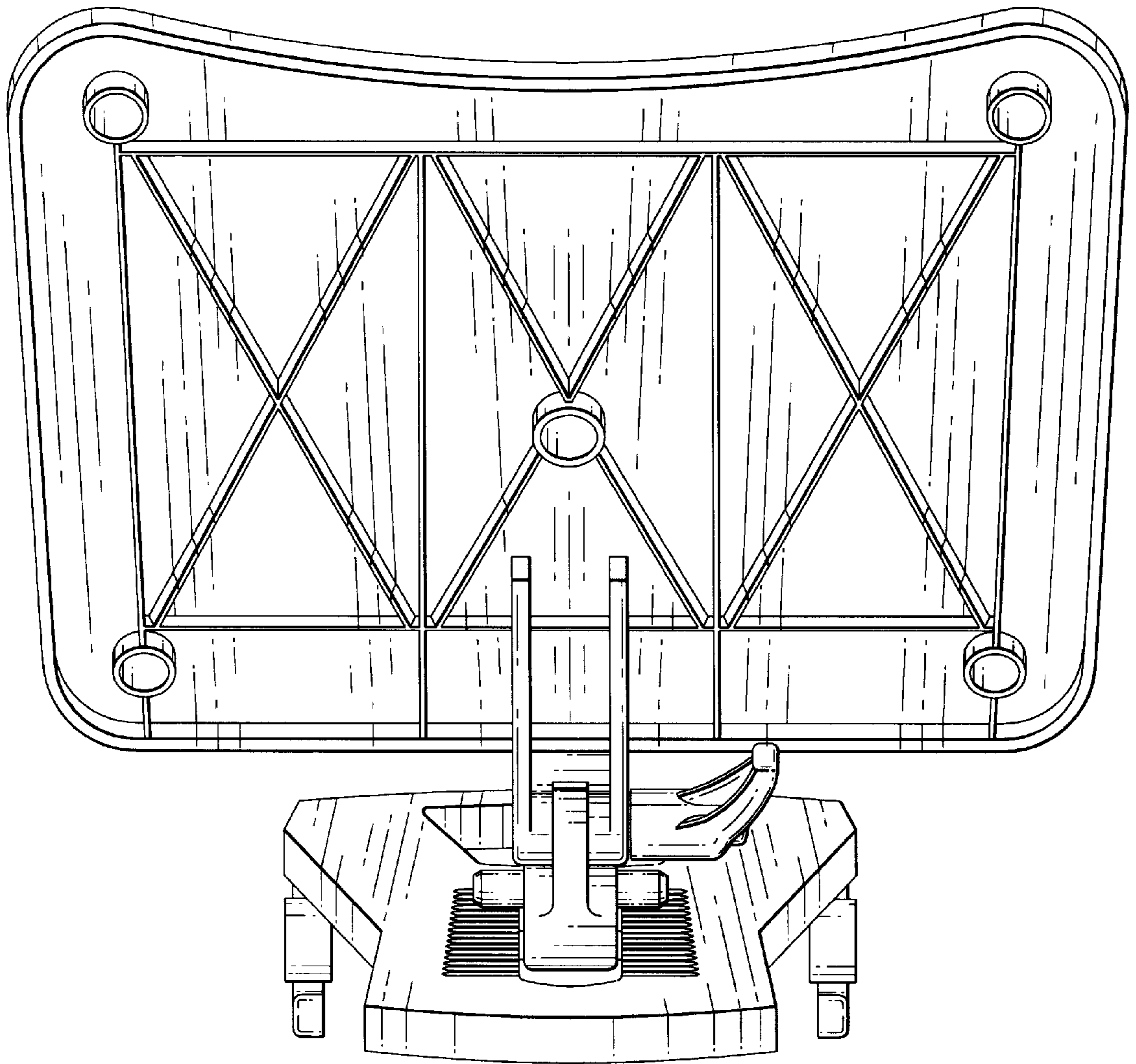


FIG. 5

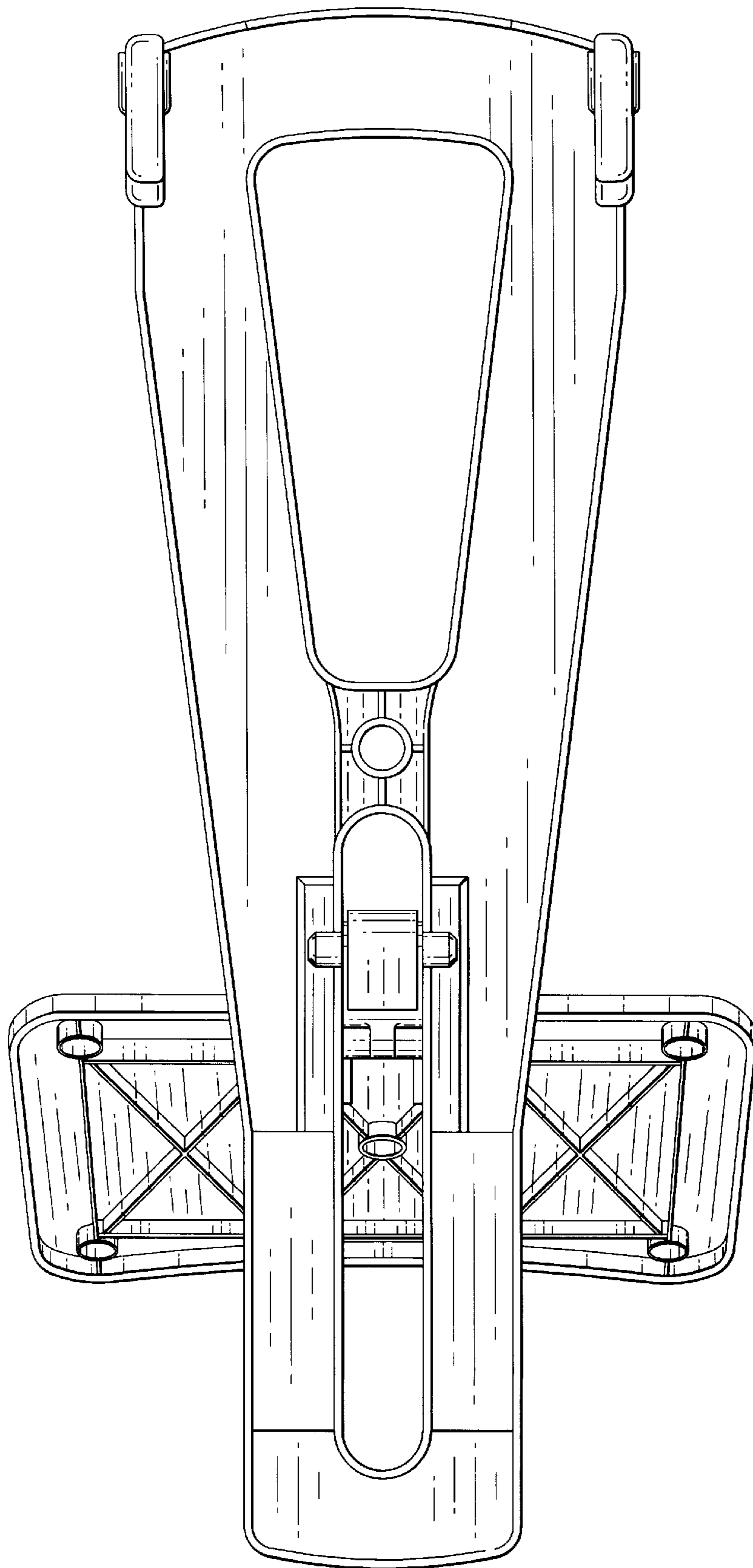


FIG. 6