



US00D431018S

United States Patent [19]
Maypole

[11] **Patent Number: Des. 431,018**

[45] **Date of Patent: ** Sep. 19, 2000**

[54] **SUNROOF CANOPY FOR A GOLF CAR**

[75] Inventor: **William H. Maypole**, Augusta, Ga.

[73] Assignee: **Club Car, Inc.**, Augusta, Ga.

[**] Term: **14 Years**

[21] Appl. No.: **29/114,640**

[22] Filed: **Nov. 29, 1999**

[51] **LOC (7) Cl.** **12-16**

[52] **U.S. Cl.** **D12/401**

[58] **Field of Search** D12/401, 16, 400;
D25/56; 296/210, 216.01, 78.1; 280/DIG. 5,
DIG. 6

[56] **References Cited**

U.S. PATENT DOCUMENTS

- D. 236,098 7/1975 Bedel D12/16
- D. 245,592 8/1977 Davidson D12/401
- D. 319,203 8/1991 Tisten et al. D12/401
- D. 330,350 10/1992 Maypole et al. D12/401
- D. 362,423 9/1995 Thomas, Jr. D12/401

- D. 381,953 8/1997 Collins et al. D12/401
- D. 394,637 5/1998 Camiano D12/401
- 3,908,777 9/1975 Davidson 280/DIG. 5
- 4,332,415 6/1982 Williams 280/DIG. 5 X
- 5,094,500 3/1992 Maypole et al. 280/DIG. 5 X

Primary Examiner—Stacia Cadmus
Attorney, Agent, or Firm—Mark A. Ussai

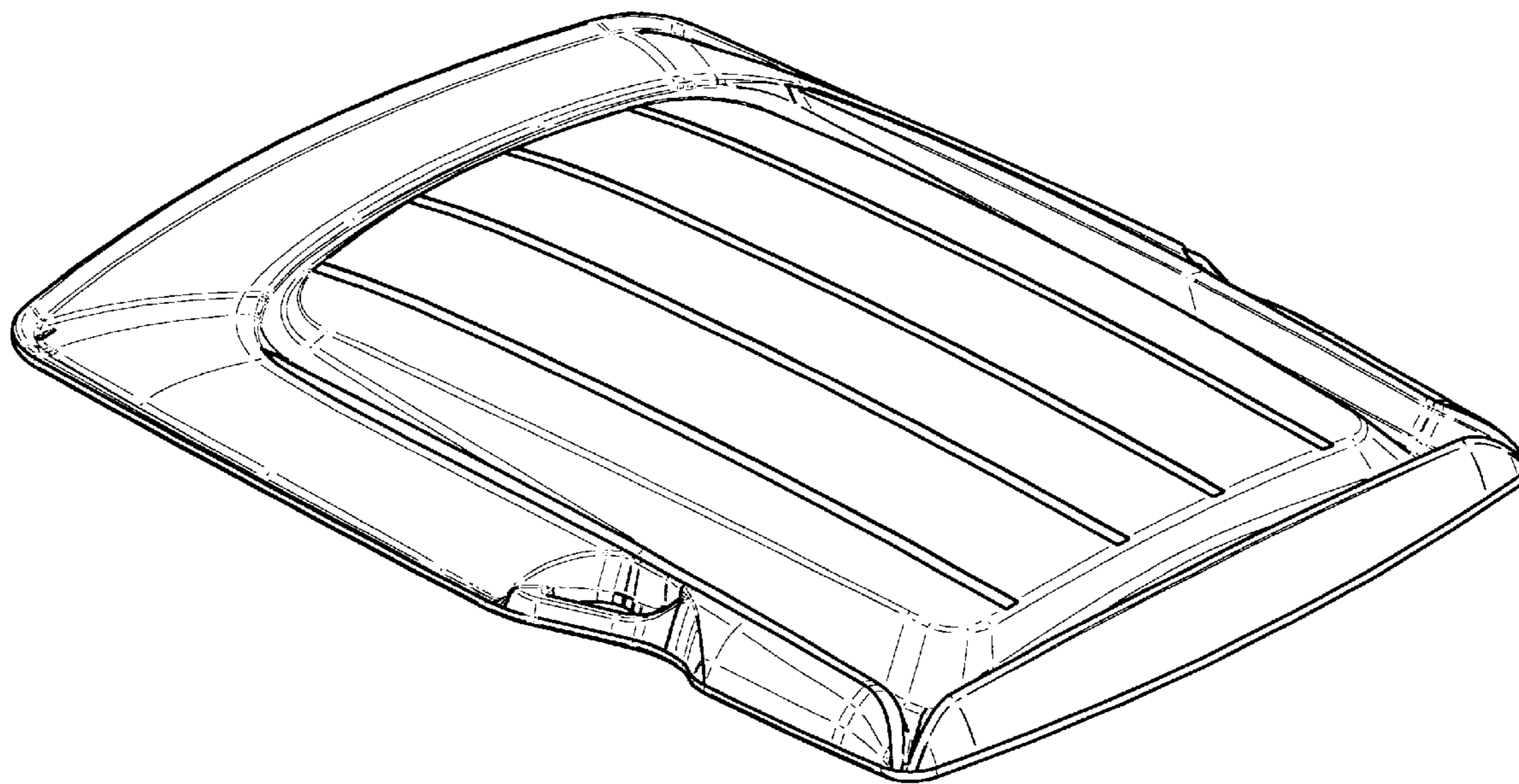
[57] **CLAIM**

The ornamental design for a sunroof canopy for a golf car, as shown and described.

DESCRIPTION

FIG. 1 is a perspective view of a sunroof canopy for a golf car showing my new design;
FIG. 2 is an enlarged right side elevational view thereof, which is a mirror image of the left side not shown;
FIG. 3 is an enlarged front elevational view thereof;
FIG. 4 is an enlarged rear elevational view thereof;
FIG. 5 is an enlarged top plan view thereof; and,
FIG. 6 is an enlarged bottom plan view thereof.

1 Claim, 2 Drawing Sheets



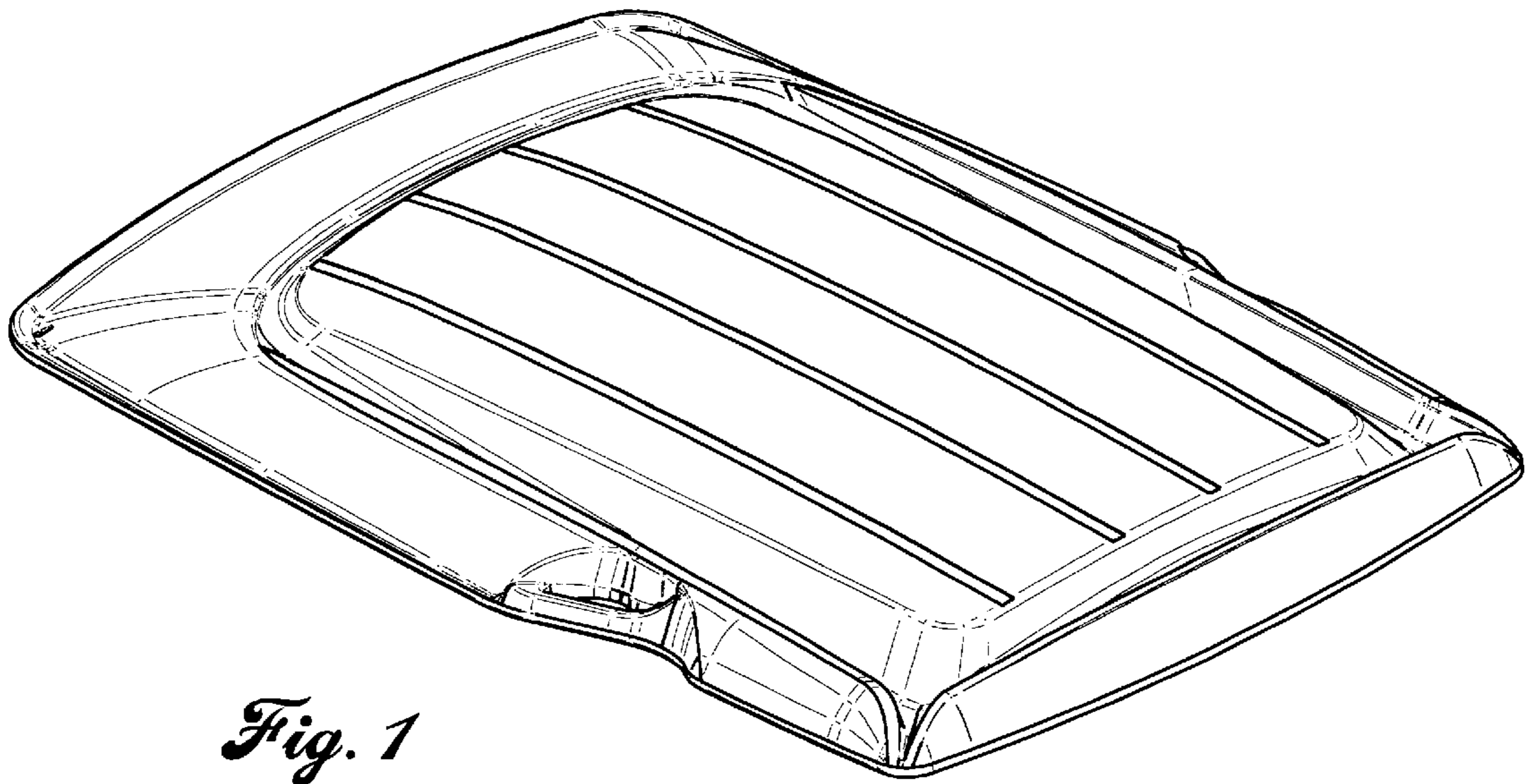


Fig. 1

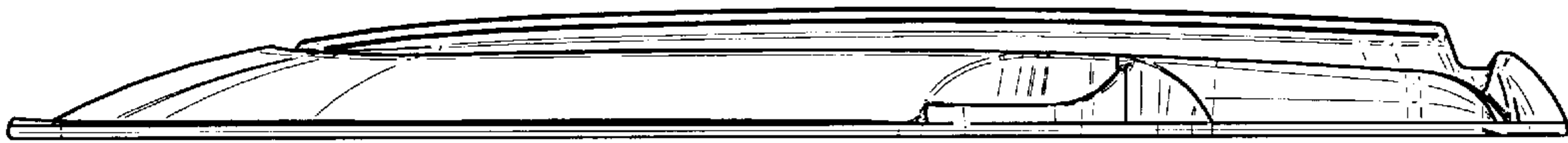


Fig. 2

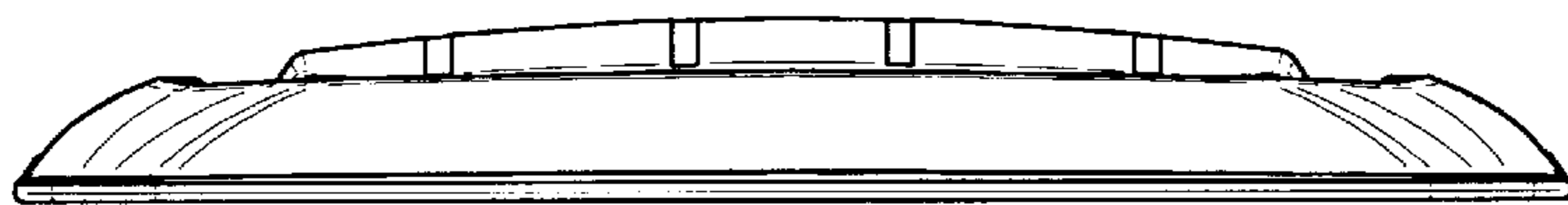


Fig. 3

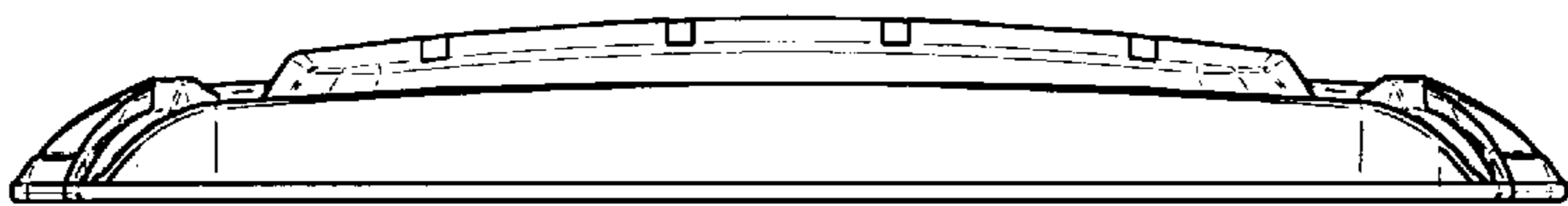


Fig. 4

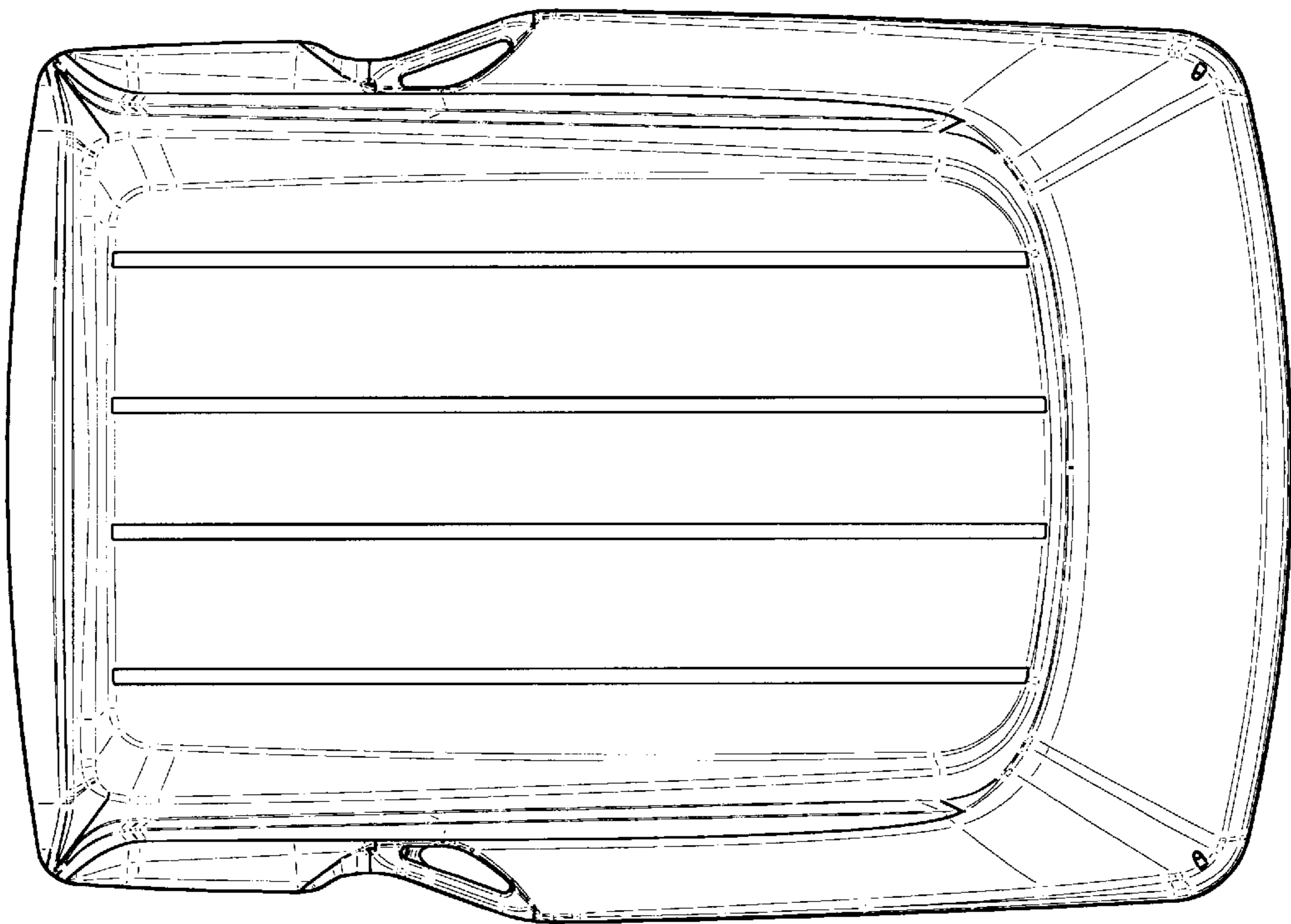


Fig. 5

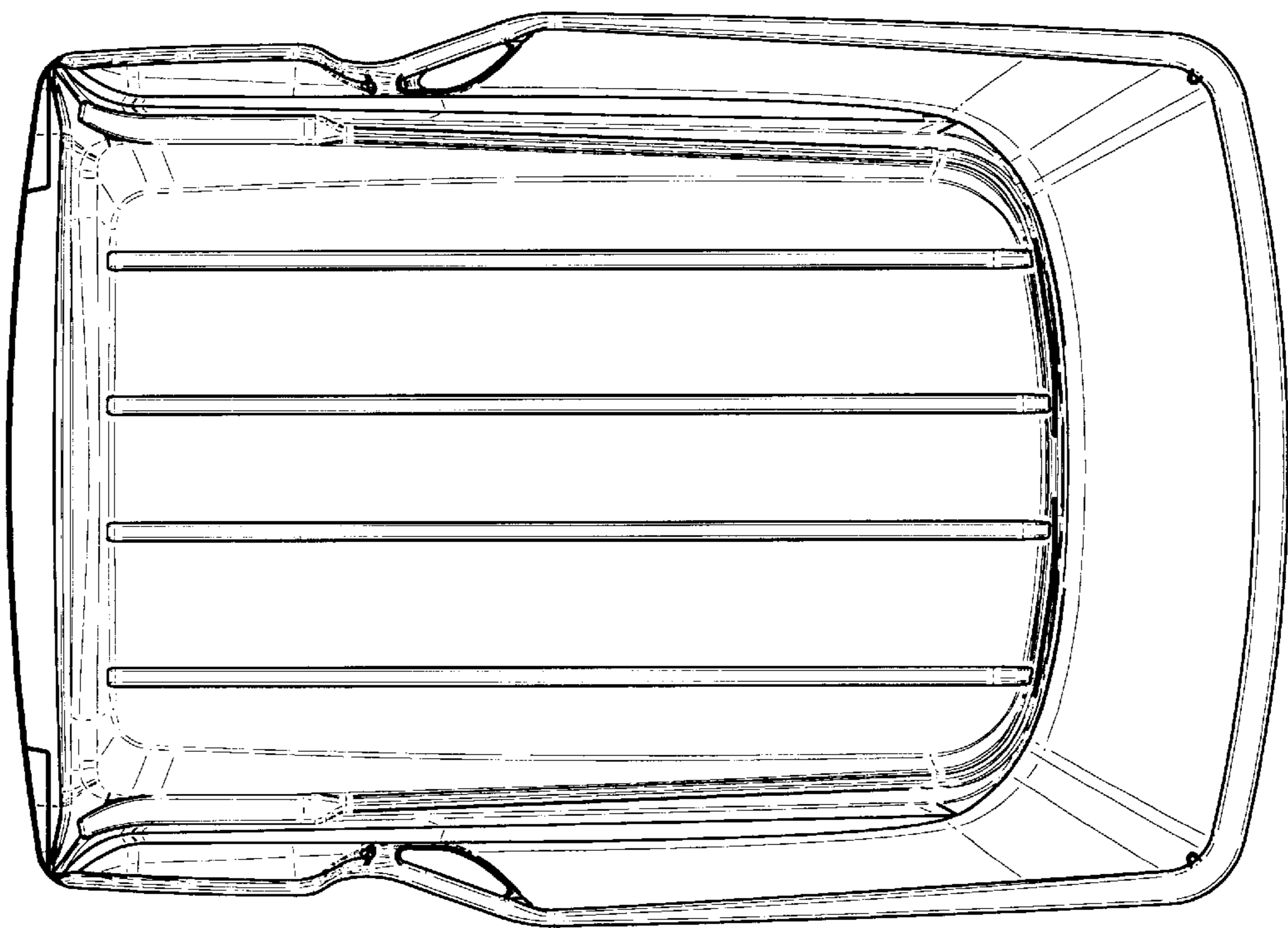


Fig. 6