



US00D431007S

United States Patent [19]

Trigiani et al.

[11] Patent Number: **Des. 431,007**

[45] Date of Patent: **** Sep. 19, 2000**

[54] **APPARATUS FOR LEAK TESTING AND REFILLING AUTOMOTIVE COOLING SYSTEMS USING VACUUM**

[75] Inventors: **Phil Trigiani; Tony Ferraro**, both of Mississauga, Canada

[73] Assignee: **Uview Ultraviolet Systems, Inc.**, Mississauga, Canada

[**] Term: **14 Years**

[21] Appl. No.: **29/115,038**

[22] Filed: **Dec. 6, 1999**

[51] **LOC (7) Cl.** **10-04**

[52] **U.S. Cl.** **D10/101**

[58] **Field of Search** D10/57, 101; 73/49.2, 73/49.7, 45.8; 374/208, 145, 146

[56] **References Cited**

U.S. PATENT DOCUMENTS

- 4,782,689 11/1988 DeRome .
- 5,324,114 6/1994 Vinci 374/208

Primary Examiner—Antoine Duval Davis
Attorney, Agent, or Firm—Bell, Boyd & Lloyd LLC

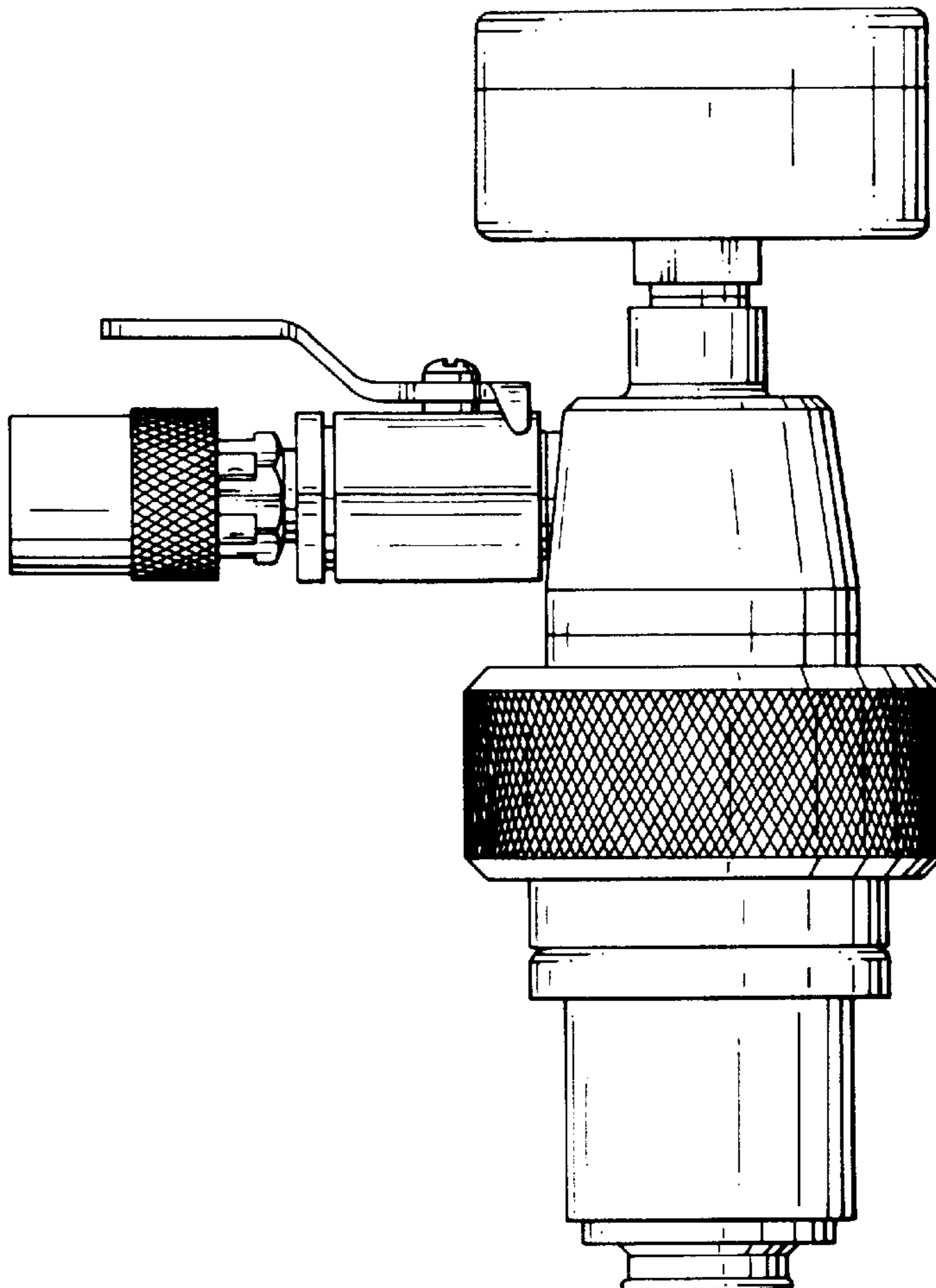
[57] **CLAIM**

The ornamental design of an apparatus for leak testing and refilling automotive cooling systems using vacuum, as shown and described.

DESCRIPTION

FIG. 1 is a top view of the apparatus for leak testing and refilling automotive cooling systems using vacuum.
 FIG. 2 is a bottom view of the apparatus for leak testing and refilling automotive cooling systems using vacuum.
 FIG. 3 is a left side view of the apparatus for leak testing and refilling automotive cooling systems using vacuum.
 FIG. 4 is a right side view of the apparatus for leak testing and refilling automotive cooling systems using vacuum.
 FIG. 5 is a front view of the apparatus for leak testing and refilling automotive cooling systems using vacuum; and,
 FIG. 6 is a back view of the apparatus for leak testing and refilling automotive cooling systems using vacuum.

1 Claim, 3 Drawing Sheets



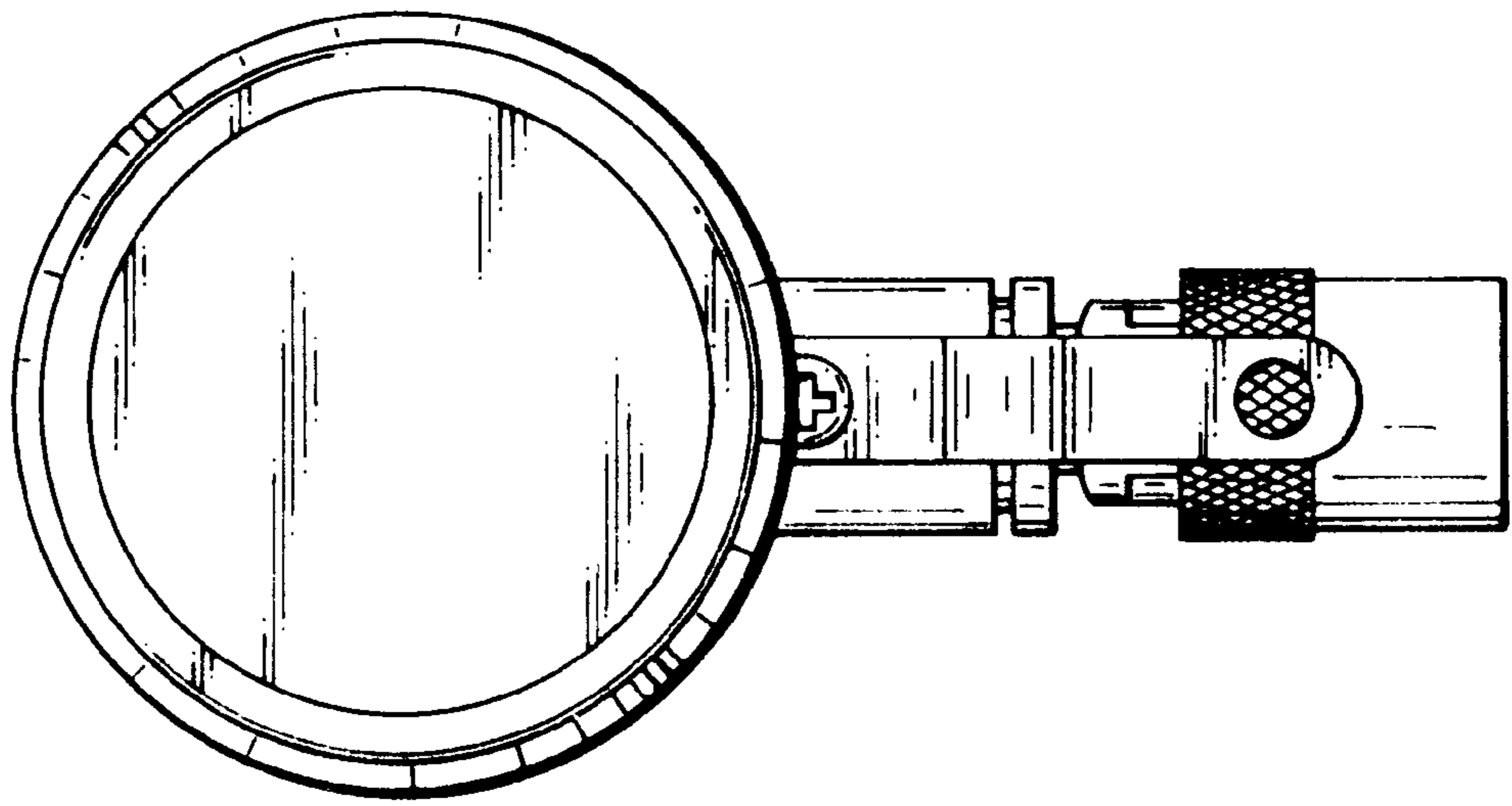


FIG. 1

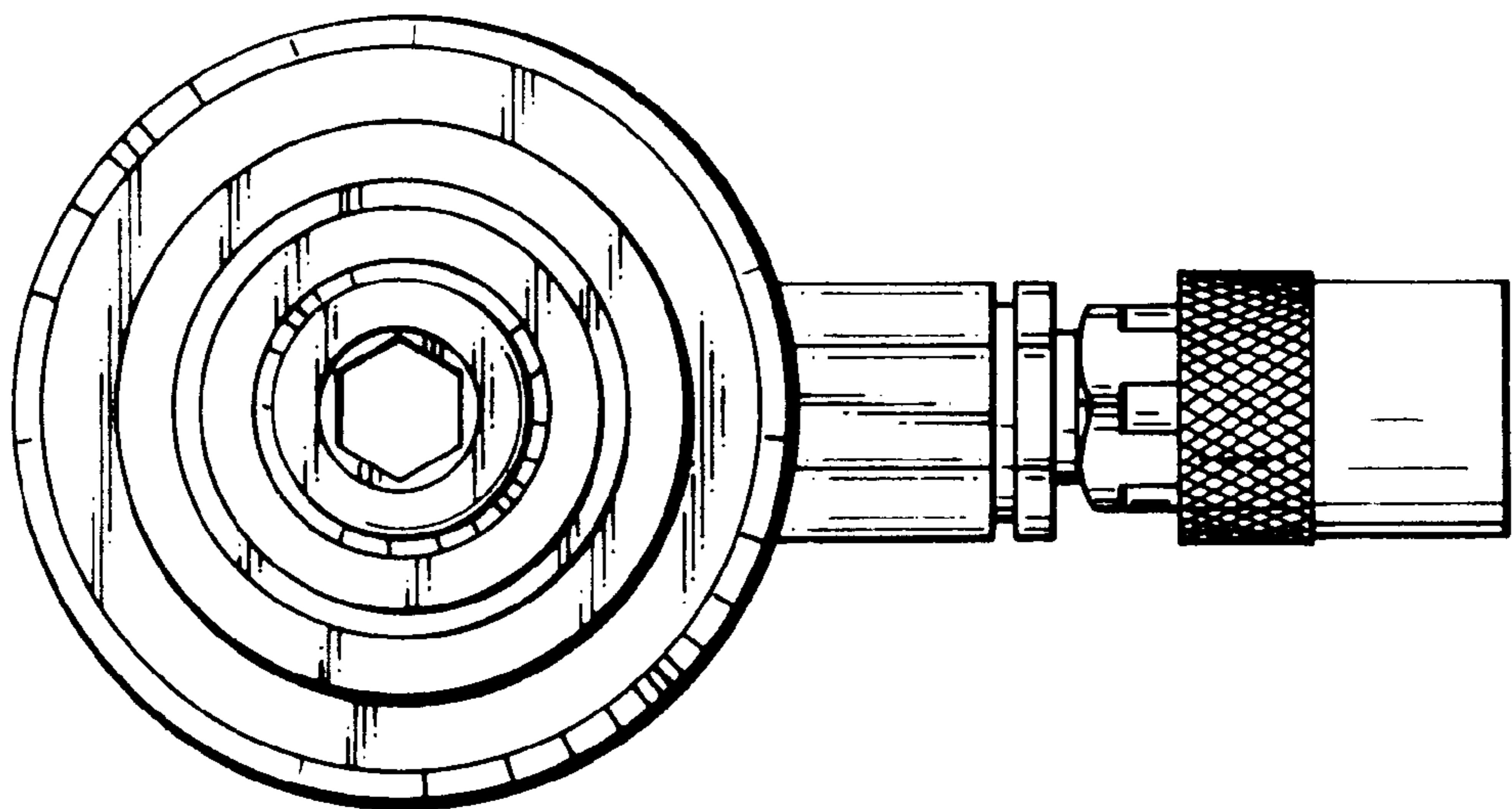


FIG. 2

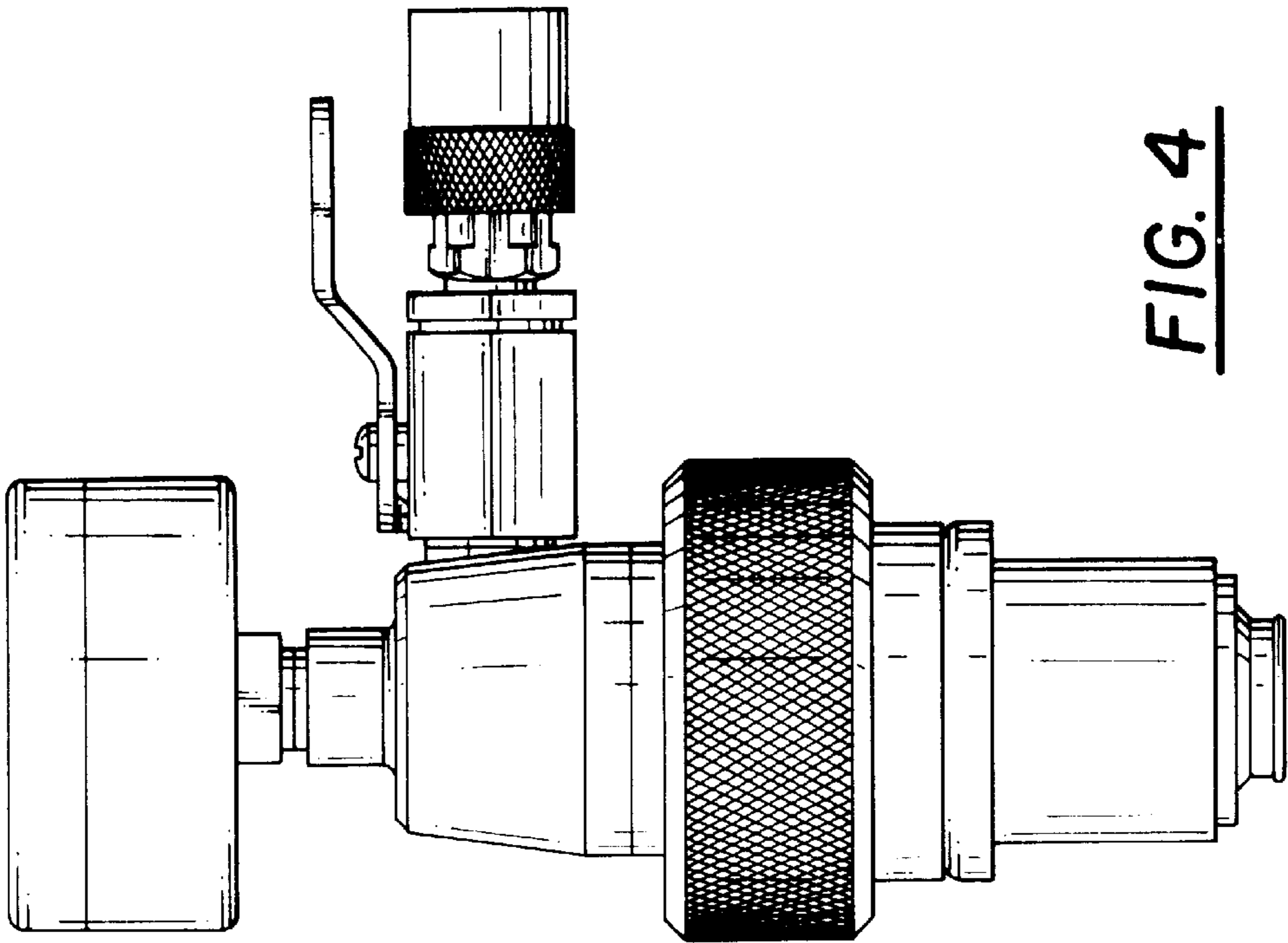


FIG. 4

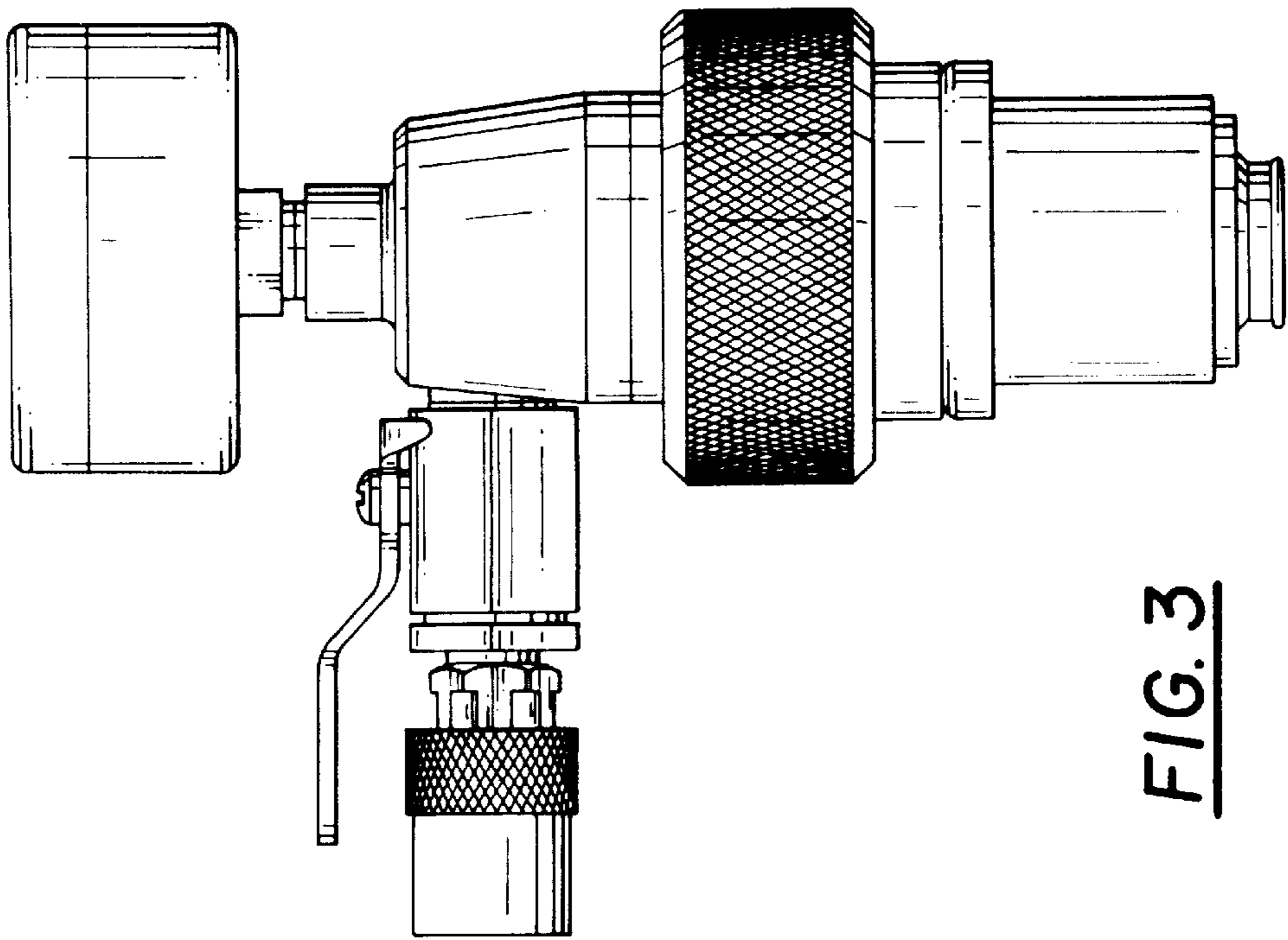


FIG. 3

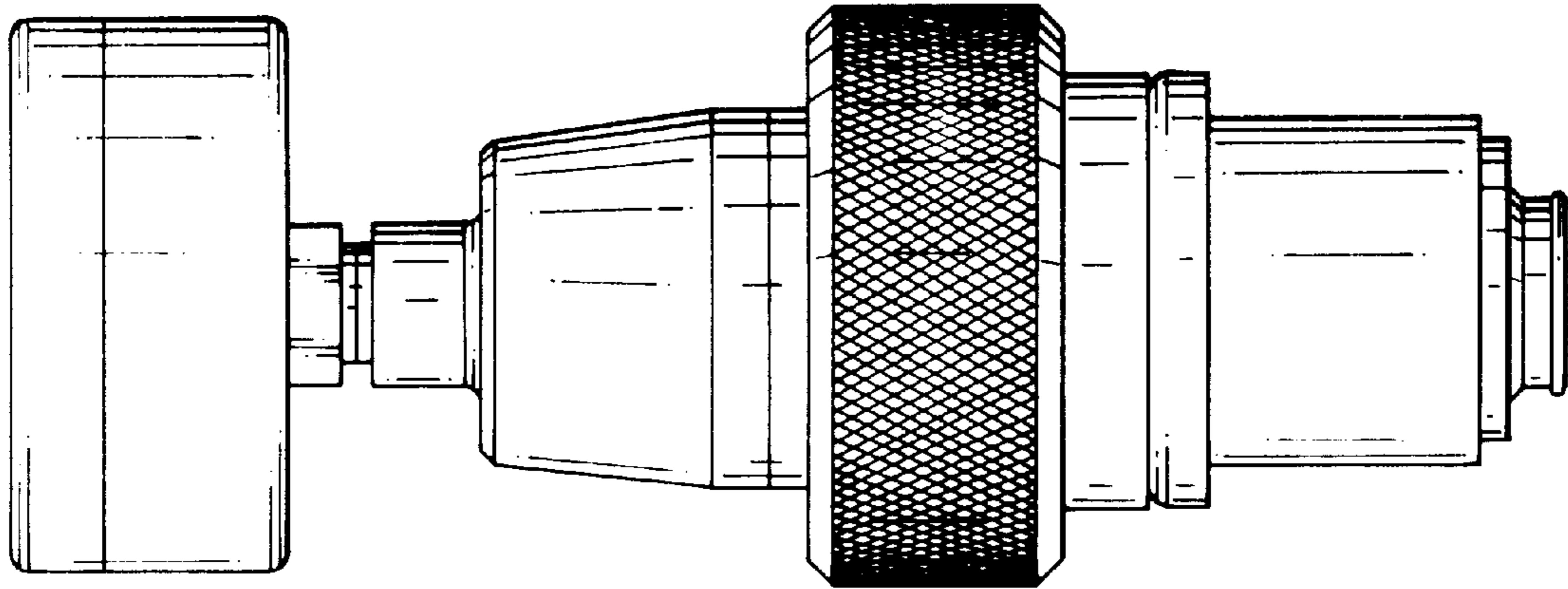


FIG. 6

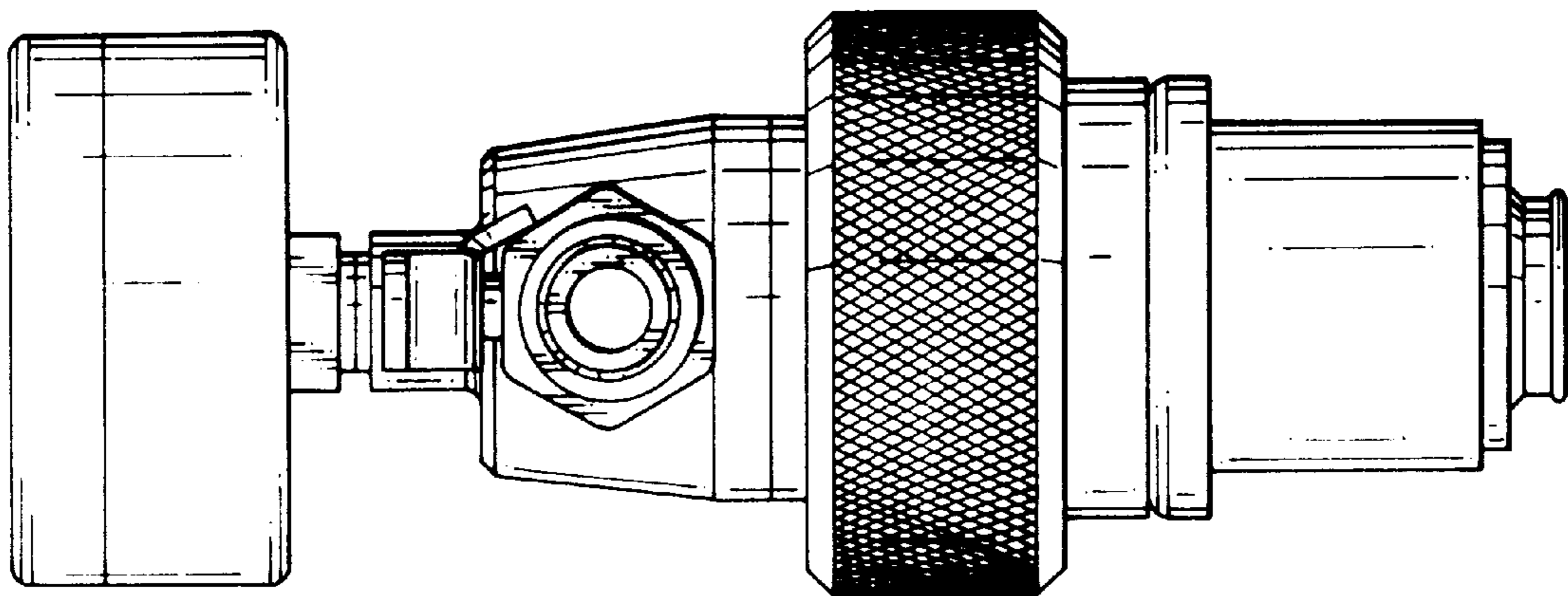


FIG. 5