



US00D431006S

**United States Patent** [19]  
**Kotyuk**

[11] **Patent Number: Des. 431,006**

[45] **Date of Patent: \*\* Sep. 19, 2000**

[54] **COMBINED FRAGRANCE BOTTLE AND CAP**

[75] Inventor: **Bernard Kotyuk**, Westbrookville, N.Y.

[73] Assignee: **Amway Corporation**, Ada, Mich.

[\*\*] Term: **14 Years**

[21] Appl. No.: **29/066,250**

[22] Filed: **Feb. 4, 1997**

[51] **LOC (7) Cl.** ..... **09-01**

[52] **U.S. Cl.** ..... **D9/569**

[58] **Field of Search** ..... D9/544, 545, 549,  
D9/556, 558, 568, 569

[56] **References Cited**

**U.S. PATENT DOCUMENTS**

- D. 74,469 2/1928 Babani ..... D9/544
- D. 88,325 11/1932 Tourtois ..... D9/569
- D. 95,849 6/1935 Leach ..... D9/544 X

- D. 103,785 3/1937 Kohl ..... D9/569
- D. 121,959 8/1940 Leach ..... D9/568
- D. 125,922 3/1941 McIntosh ..... D9/568
- D. 163,595 6/1951 Gale ..... D9/568 X

*Primary Examiner*—Ted Shooman  
*Attorney, Agent, or Firm*—Warner Norcross & Judd

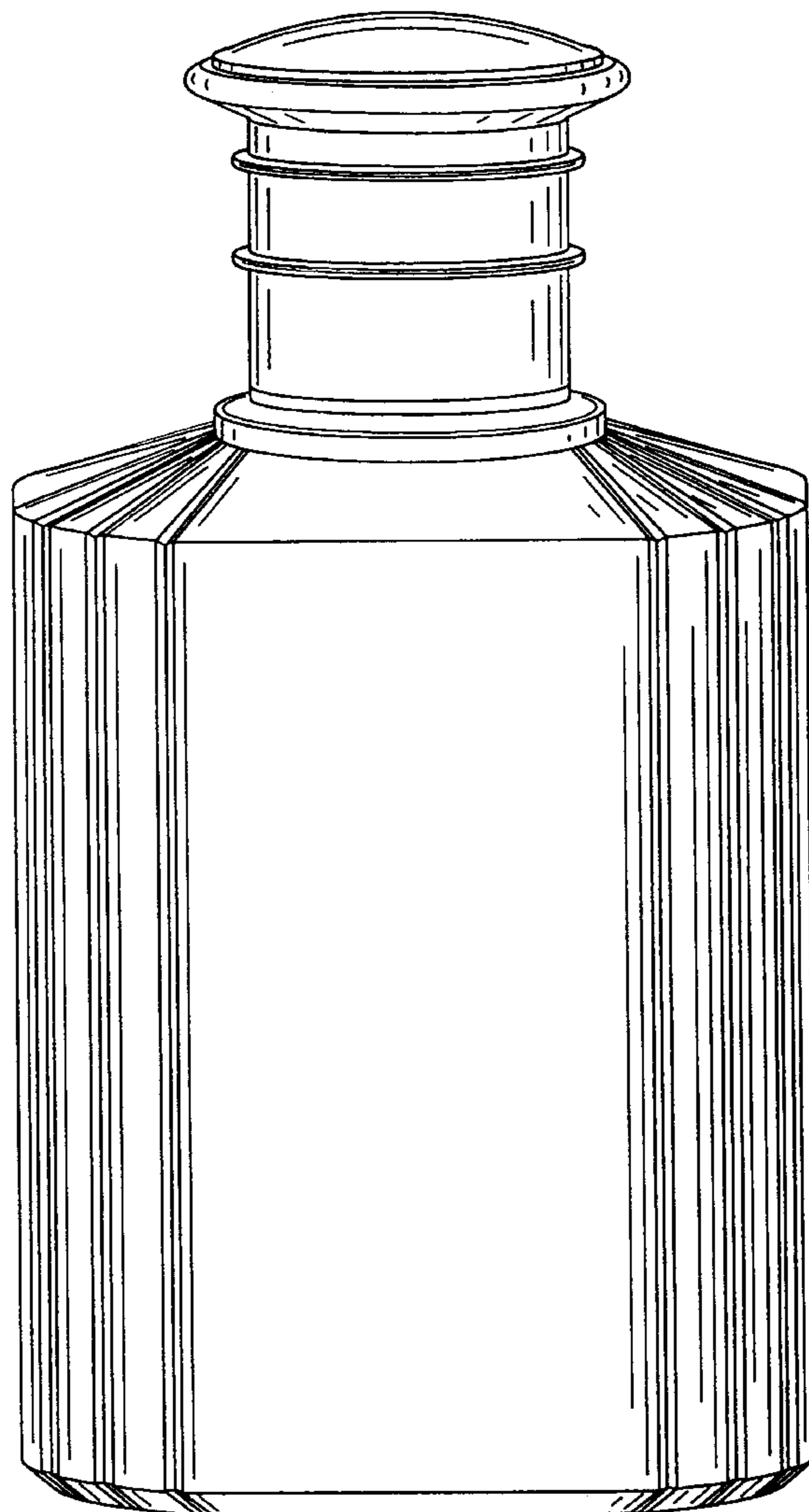
[57] **CLAIM**

The ornamental design for combined fragrance bottle and cap, as shown and described.

**DESCRIPTION**

FIG. 1 is a perspective view showing a fragrance bottle embodying the new design;  
FIG. 2 is a front elevational view thereof;  
FIG. 3 is a rear elevational view thereof;  
FIG. 4 is a right side elevation thereof;  
FIG. 5 is a left side elevation thereof;  
FIG. 6 is a top plan view thereof; and,  
FIG. 7 is a bottom plan view thereof.

**1 Claim, 6 Drawing Sheets**



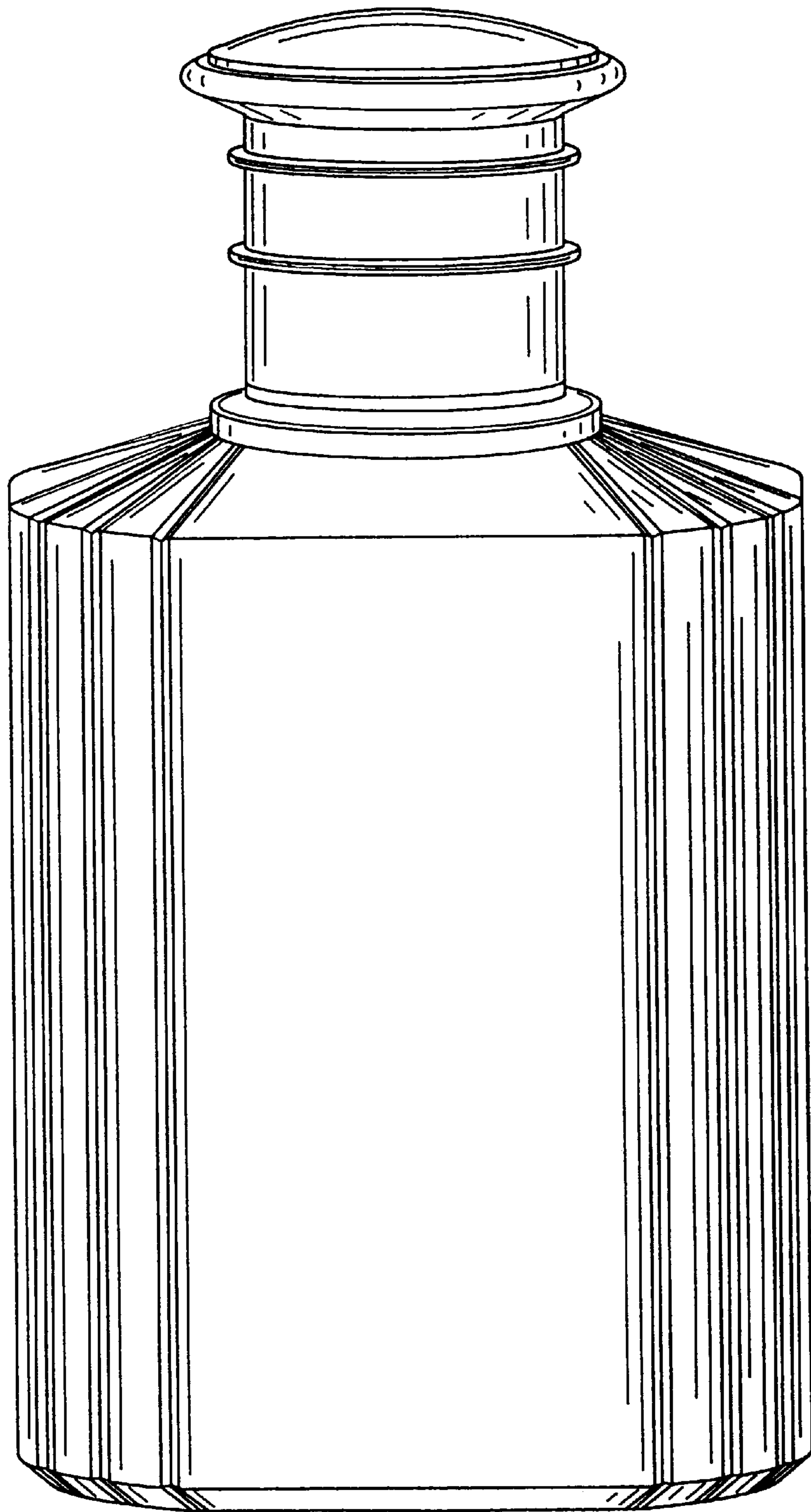


FIG. 1

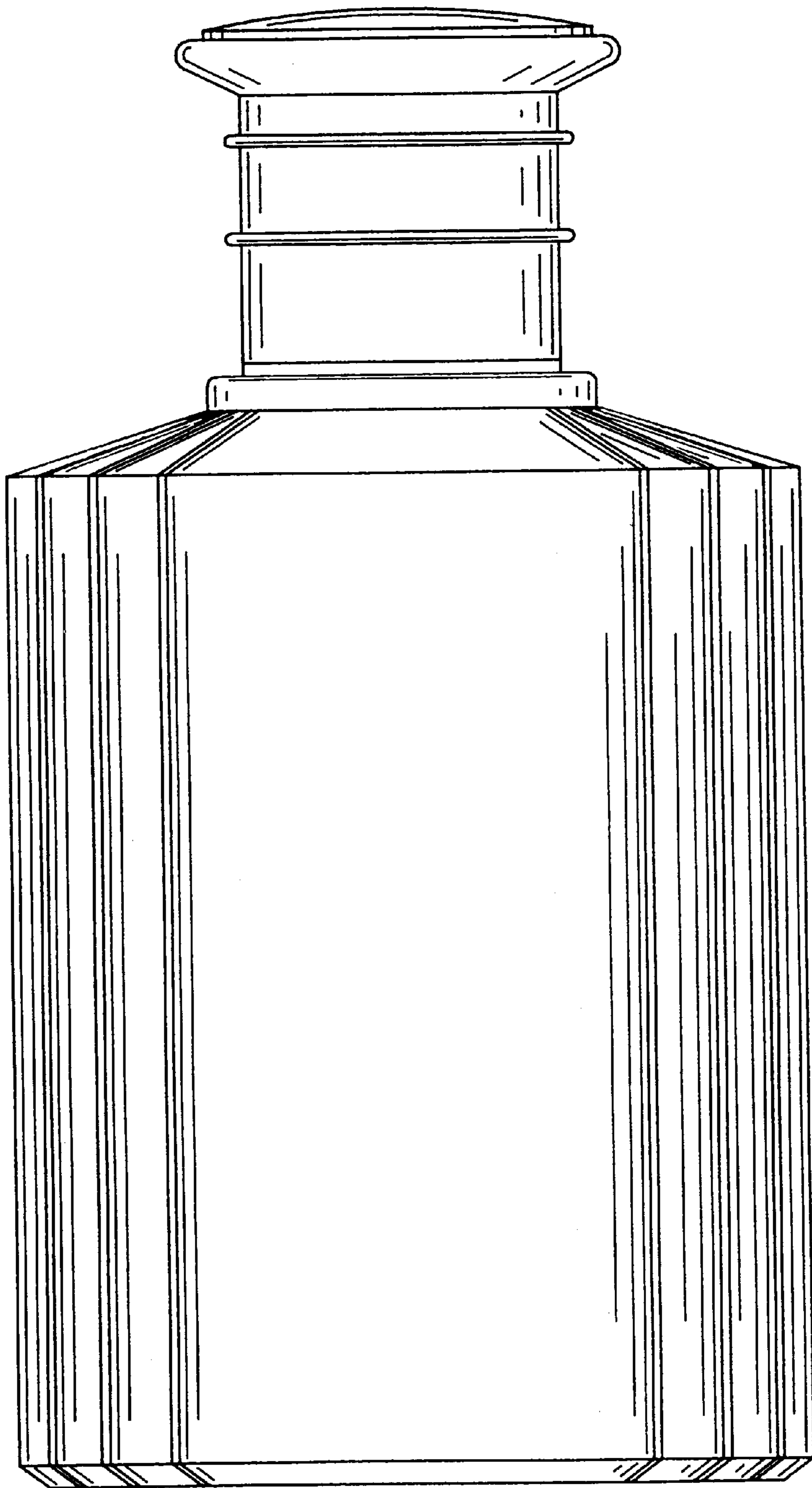


FIG. 2

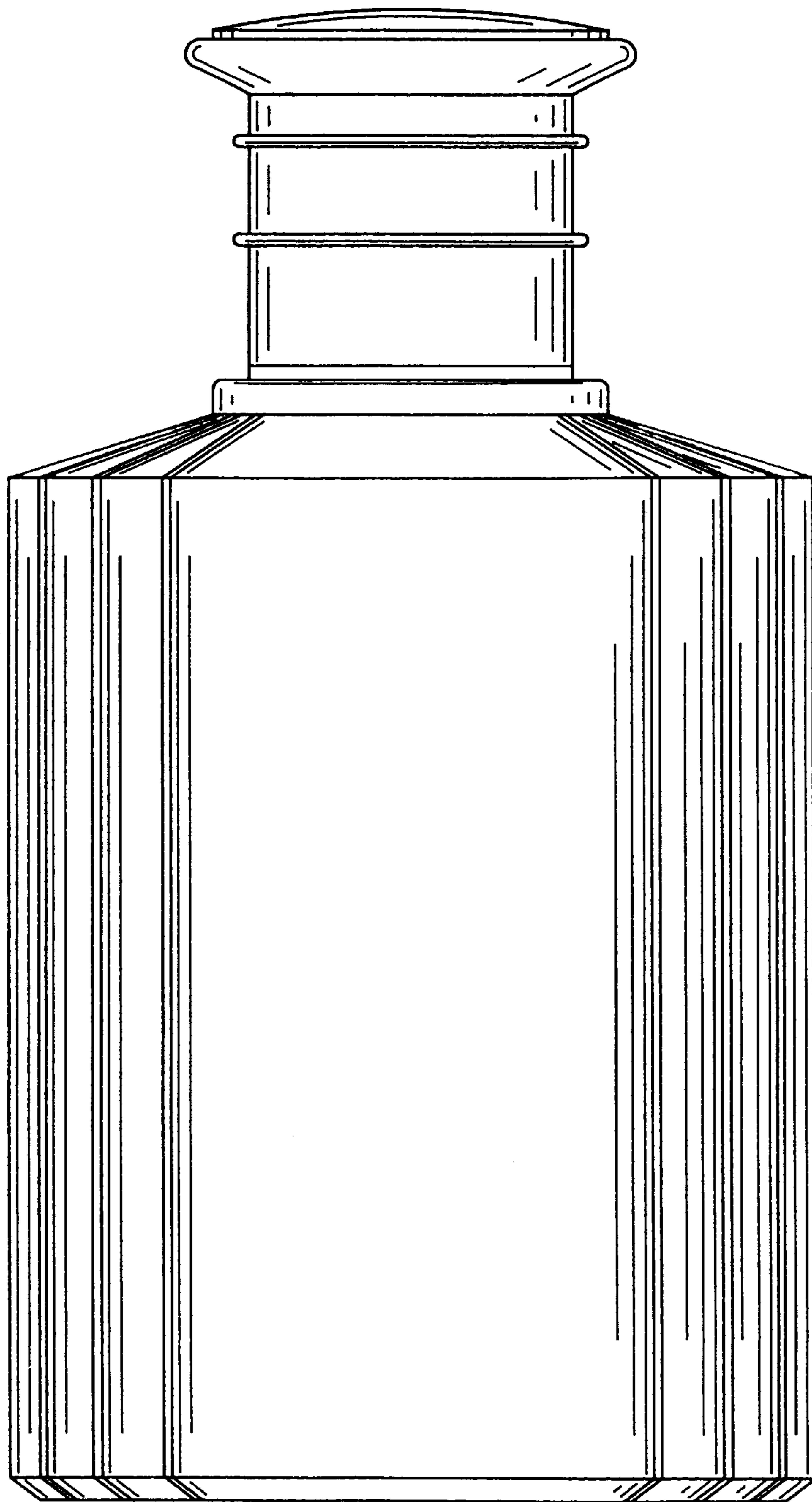


FIG. 3

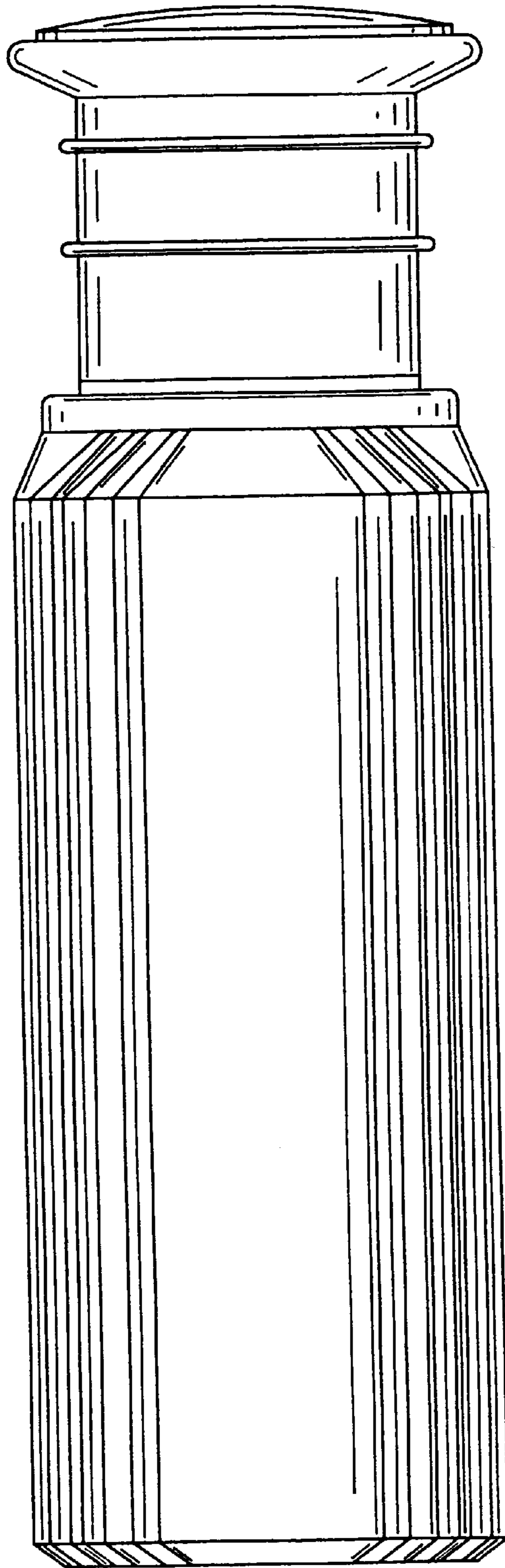


FIG. 4

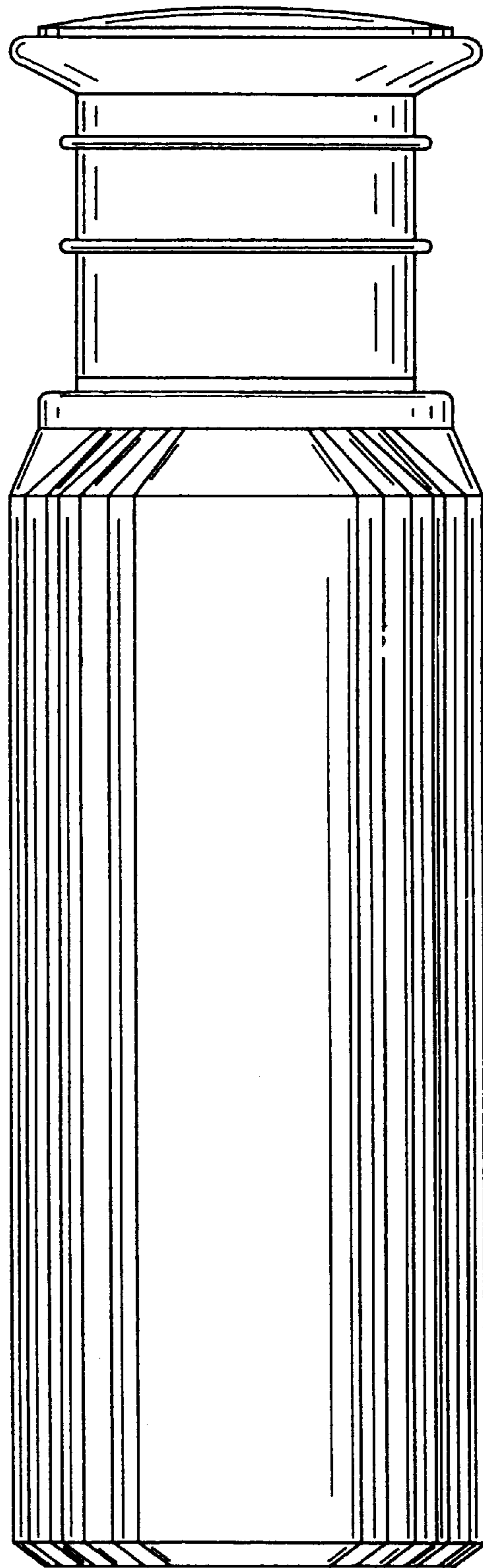


FIG. 5



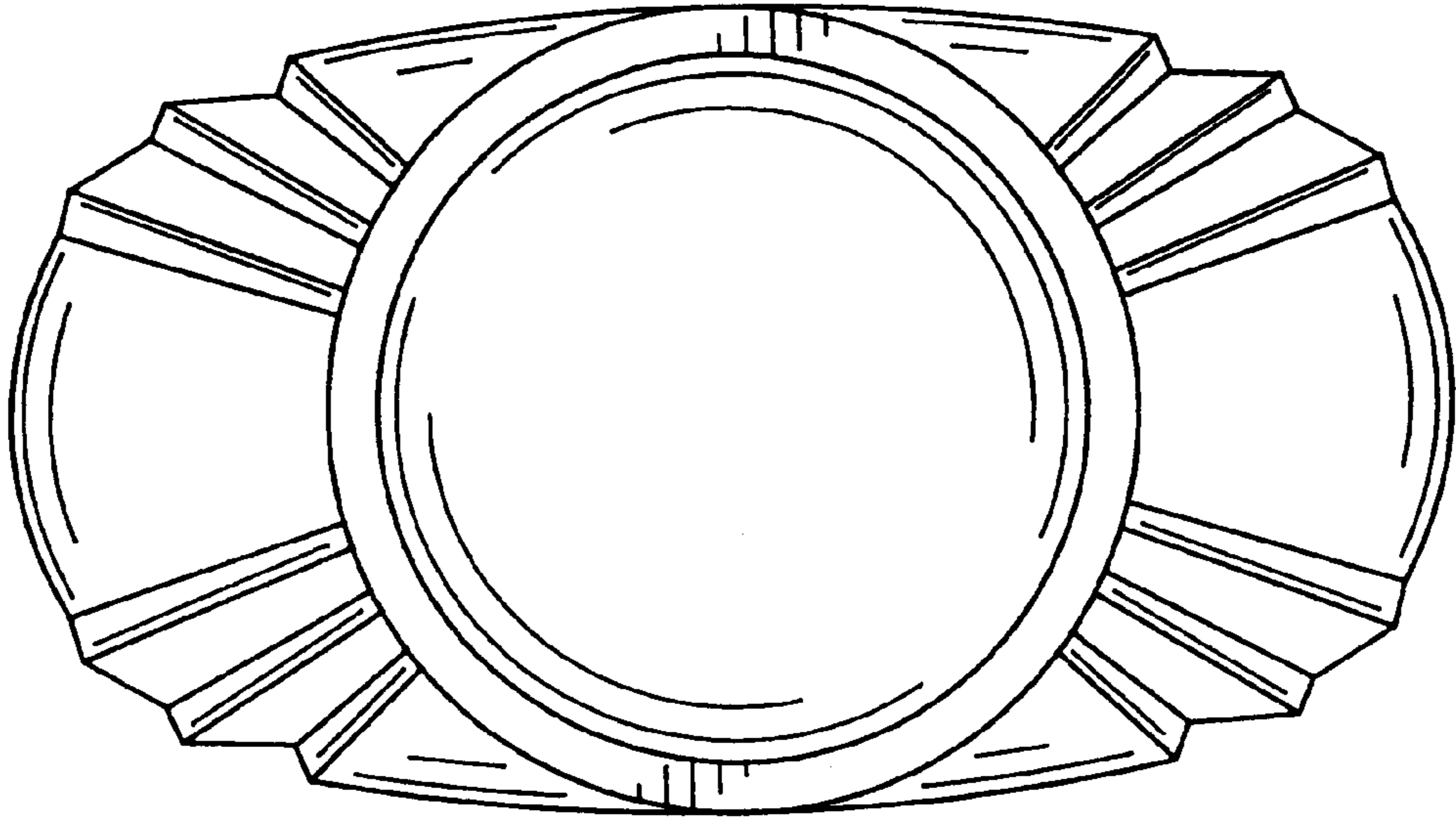


FIG. 6

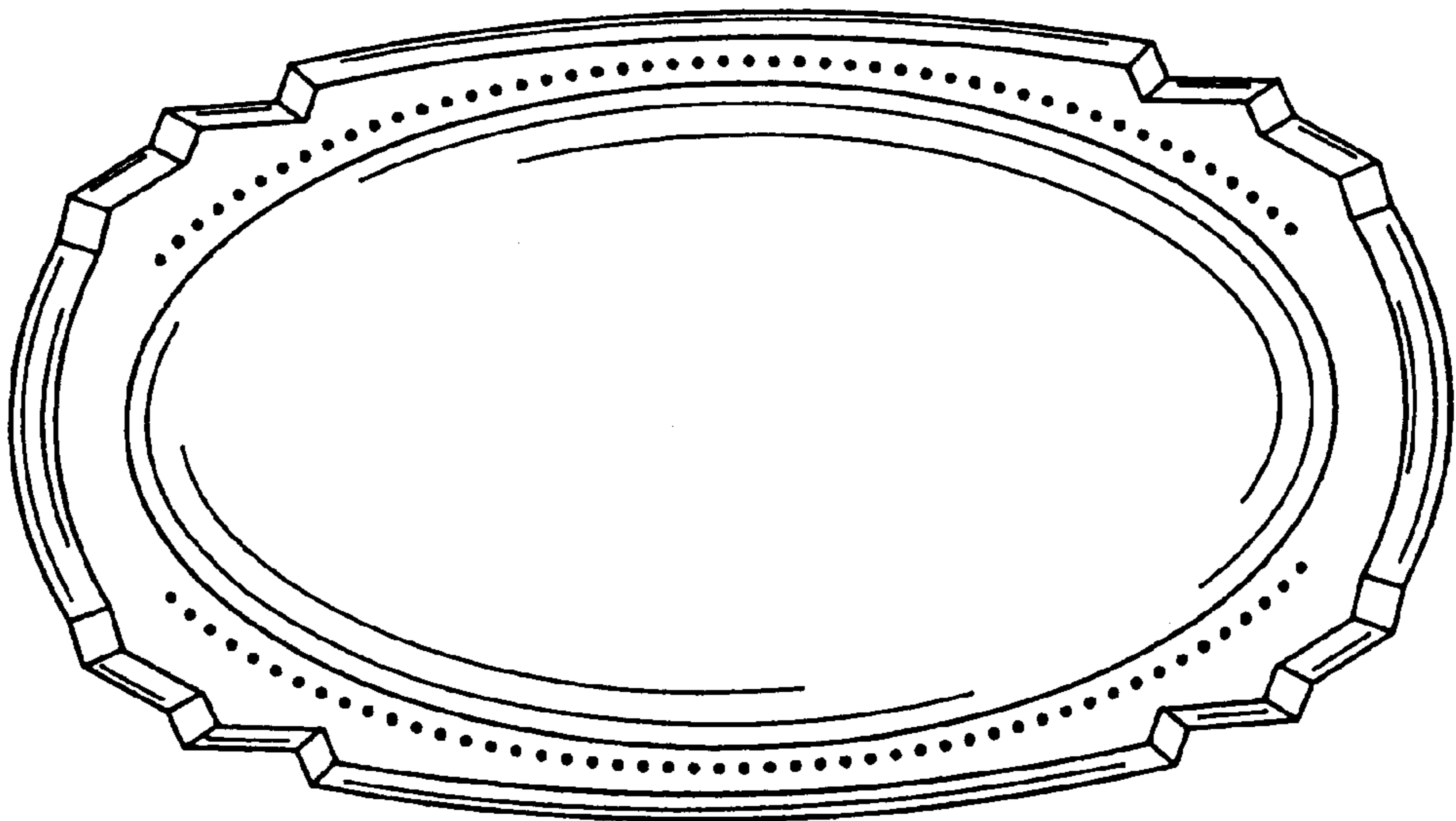


FIG. 7