



US00D431001S

United States Patent [19]
Sonntag

[11] **Patent Number: Des. 431,001**

[45] **Date of Patent: ** Sep. 19, 2000**

[54] **LOCKING PART FOR JOINING BOXES**

D. 374,610 10/1996 Shimuazu D8/382

[75] Inventor: **John-Erik Sonntag**, Tammissaari,
Finland

Primary Examiner—Holly Baynham
Attorney, Agent, or Firm—Finnegan, Henderson, Farabow,
Garrett & Dunner, L.L.P.

[73] Assignee: **Fibox Oy Ab**, Jorvas, Finland

[**] Term: **14 Years**

[57] **CLAIM**

[21] Appl. No.: **29/108,768**

The ornamental design for a locking part for joining boxes,
as shown and described.

[22] Filed: **Aug. 4, 1999**

DESCRIPTION

[30] **Foreign Application Priority Data**

Feb. 5, 1999 [FI] Finland M19990106

FIG. 1 is a perspective view of a locking part for joining
boxes showing my new design;
FIG. 2 is a perspective view thereof;
FIG. 3 is a top view thereof;
FIG. 4 is a rear view thereof;
FIG. 5 is a left side view thereof;
FIG. 6 is a right side view thereof;
FIG. 7 is a front view thereof; and,
FIG. 8 is a bottom view.

[51] **LOC (7) Cl.** **08-08**

[52] **U.S. Cl.** **D8/382**

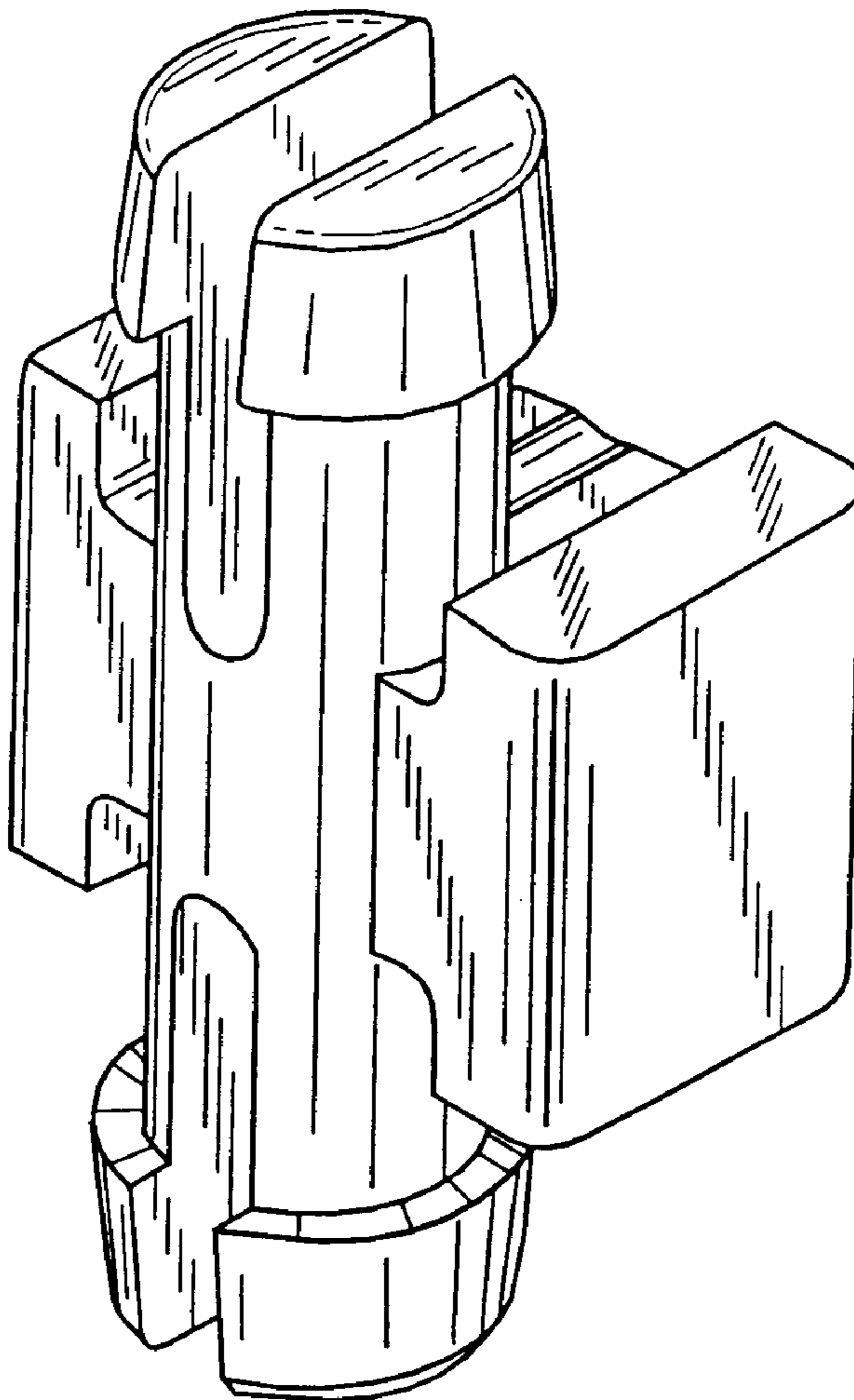
[58] **Field of Search** D8/382; 403/403,
403/205; 411/45, 48

[56] **References Cited**

U.S. PATENT DOCUMENTS

D. 355,113 2/1995 Shimajiri D8/382

1 Claim, 3 Drawing Sheets



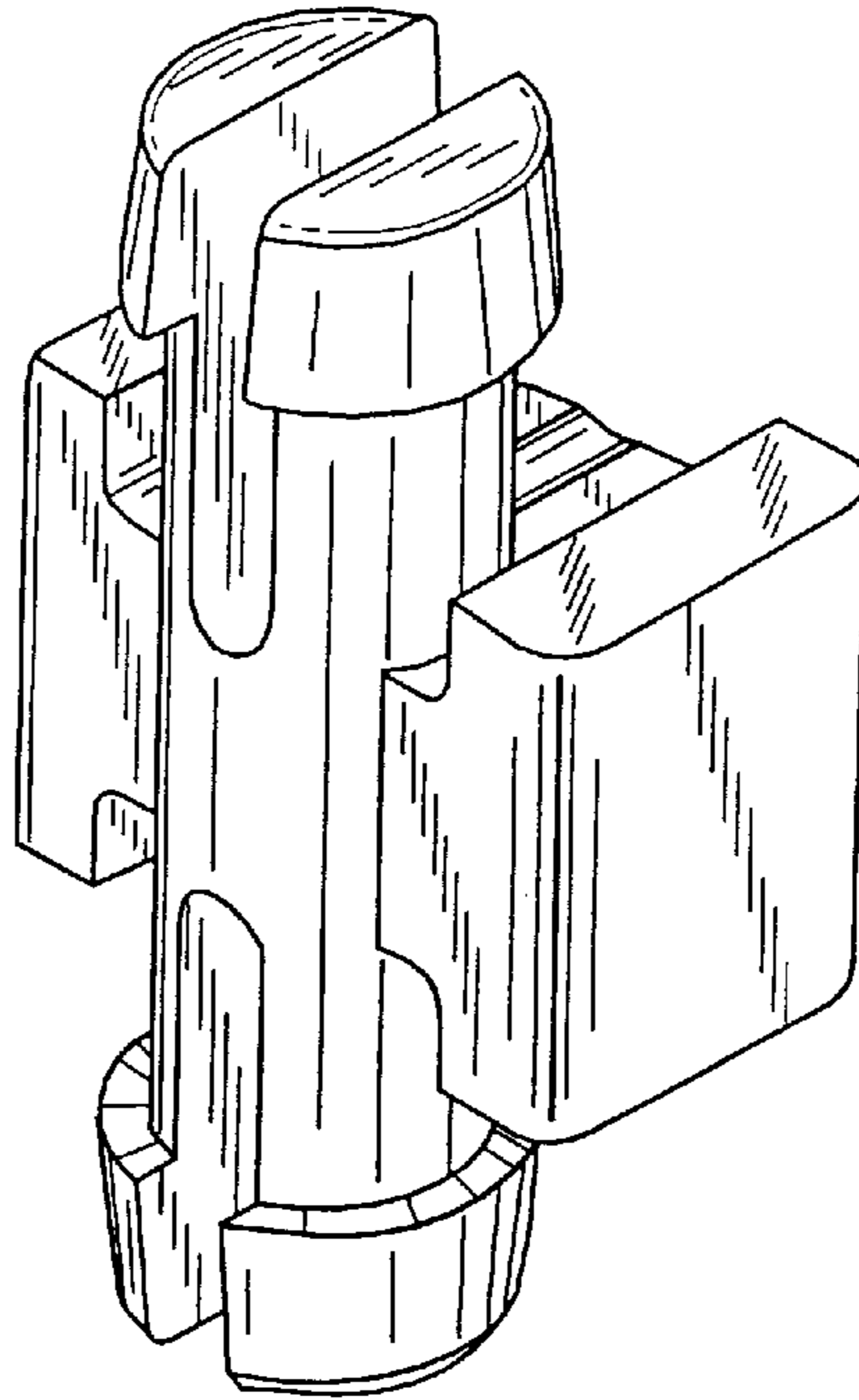


FIG. 1

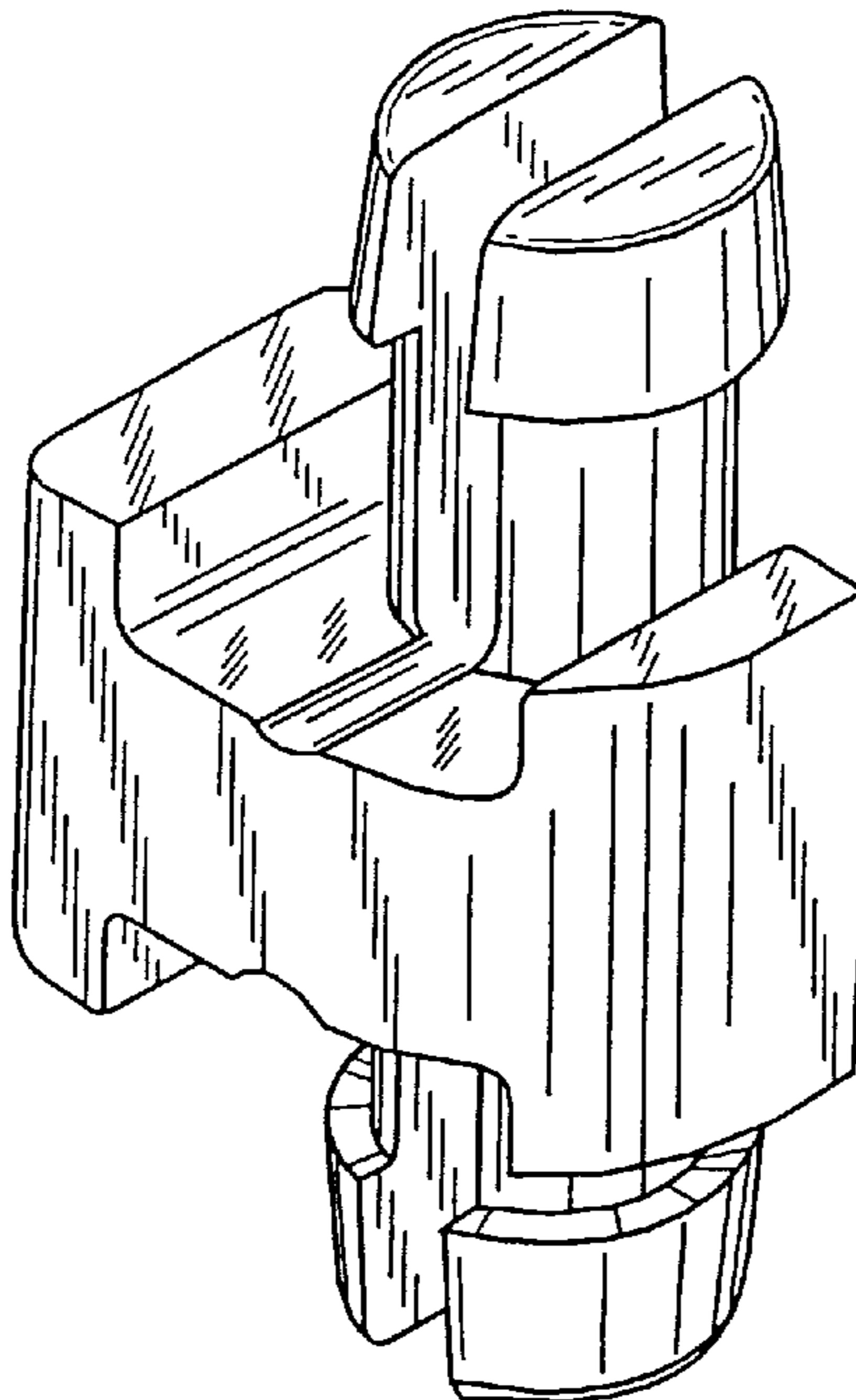


FIG. 2

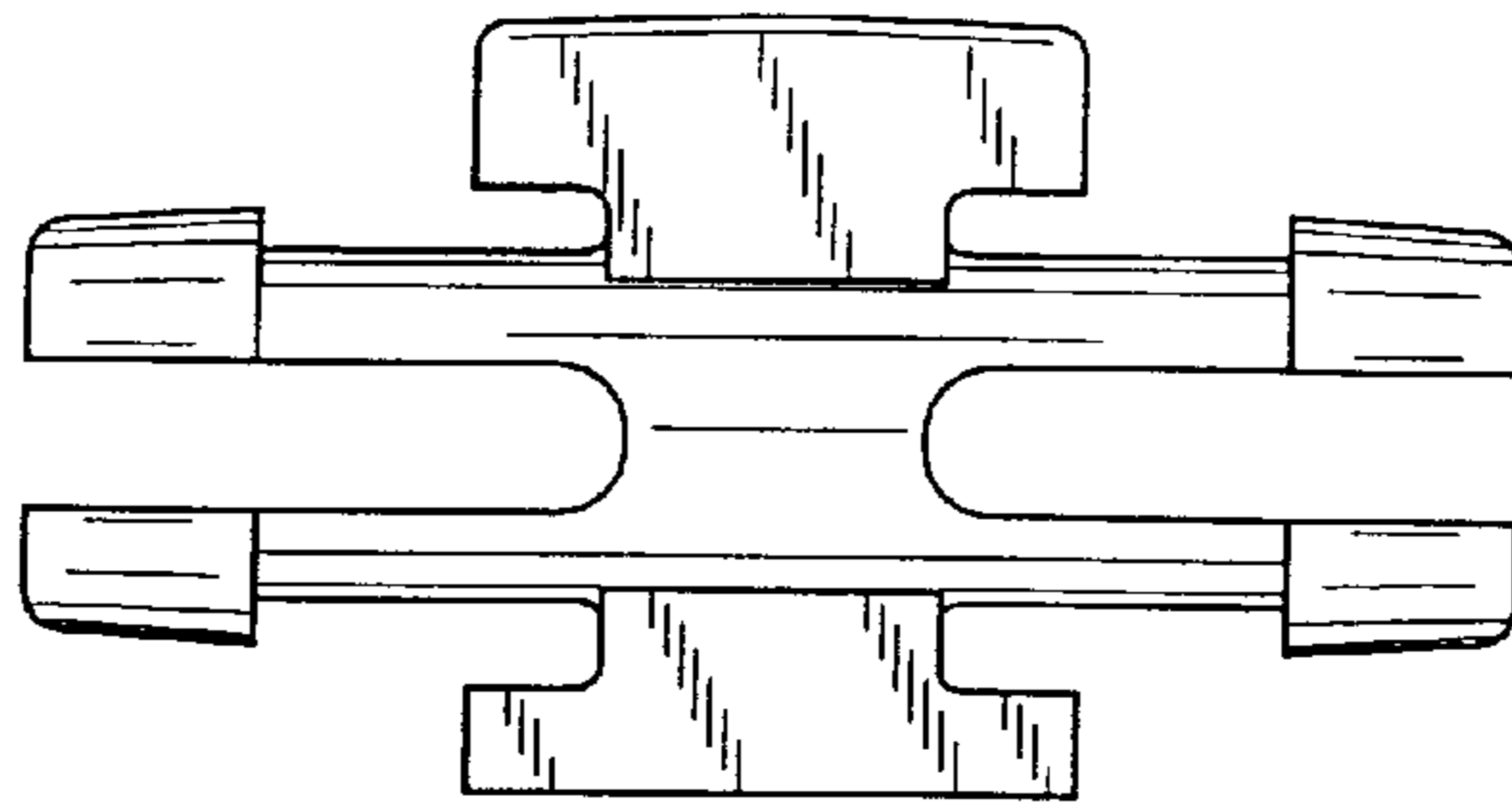


FIG. 3

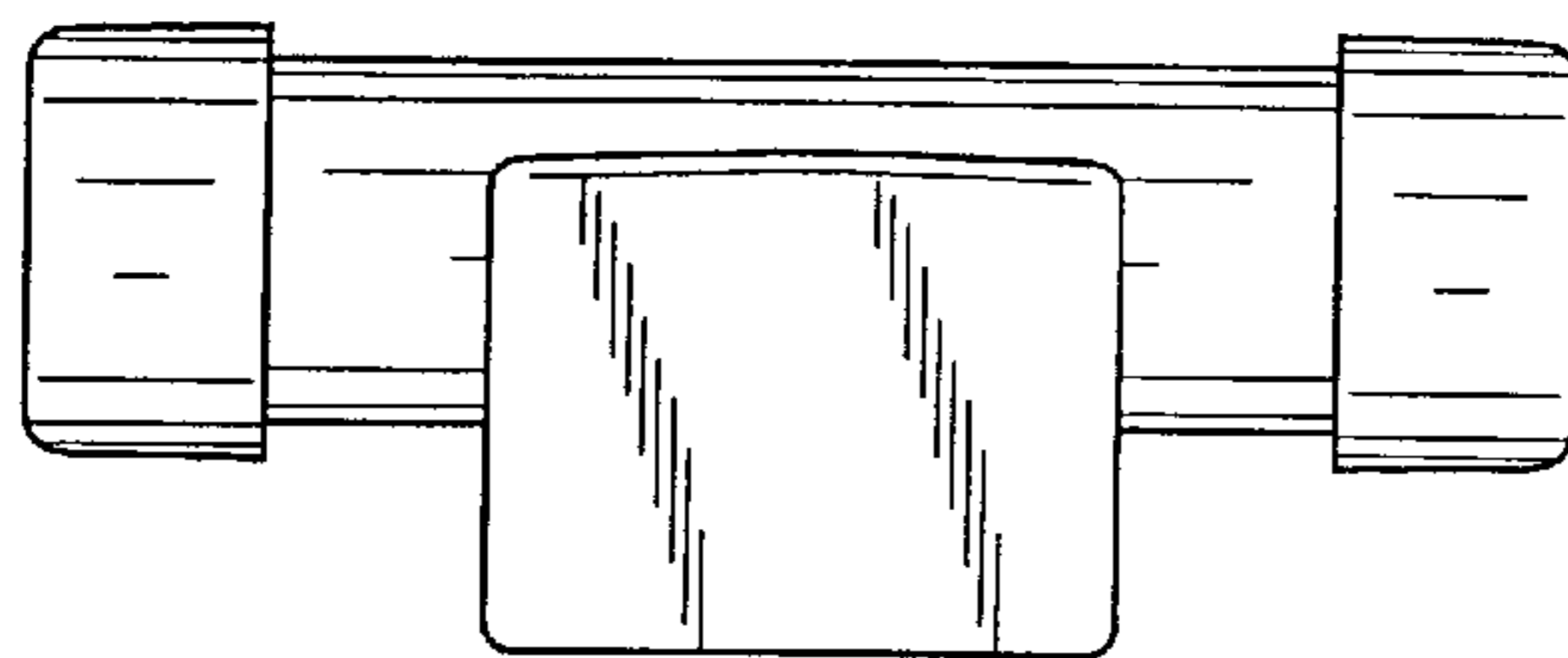


FIG. 4

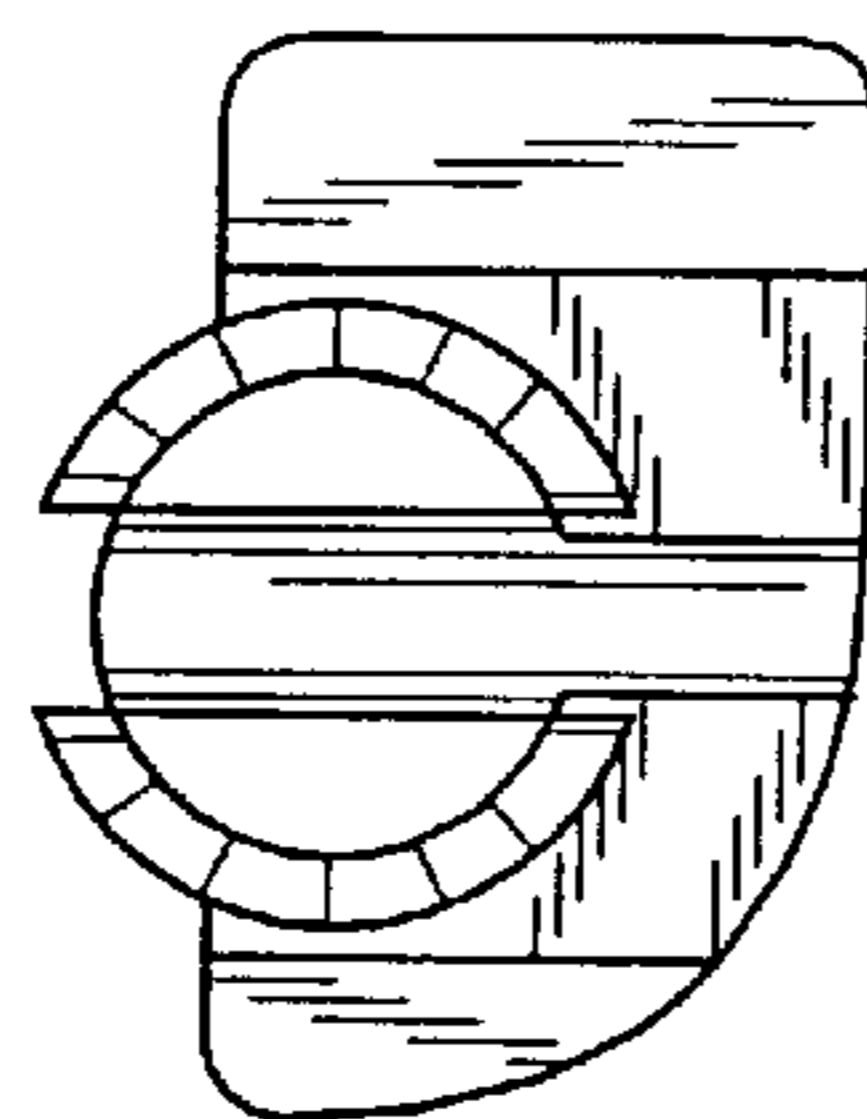


FIG. 5

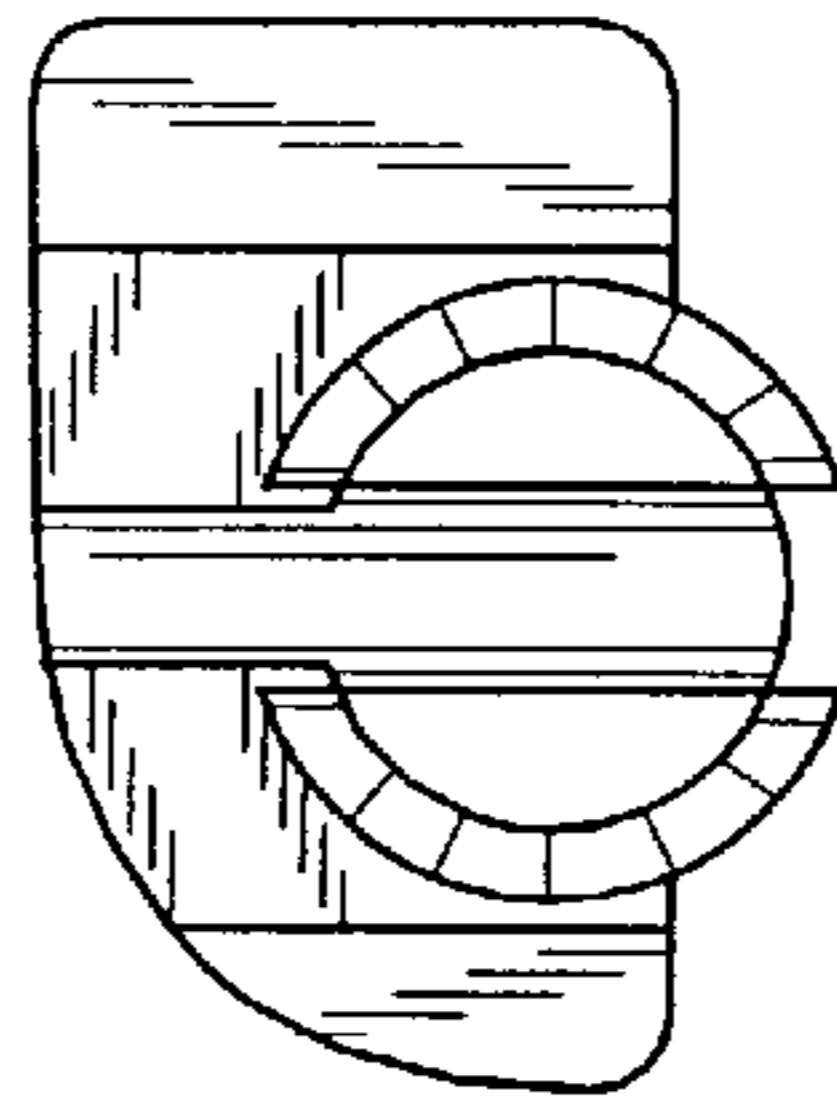


FIG. 6

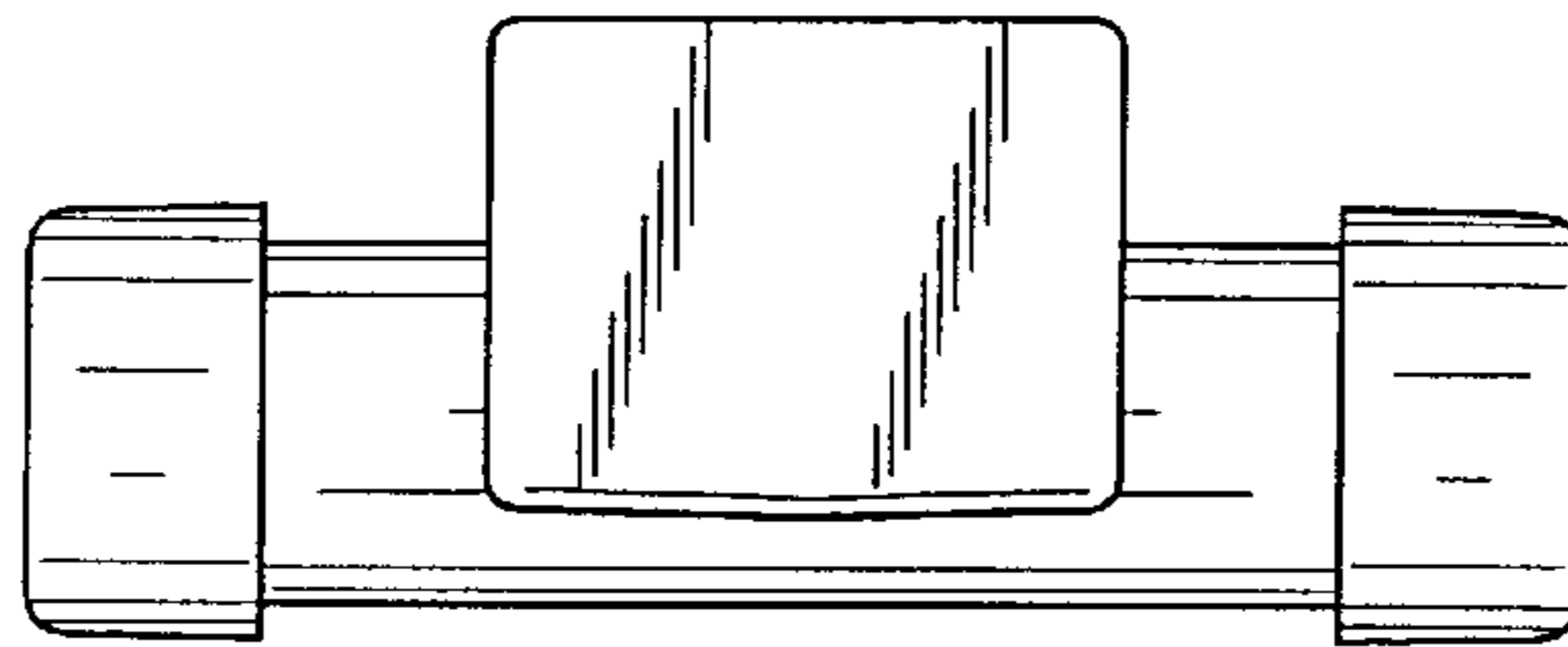


FIG. 7

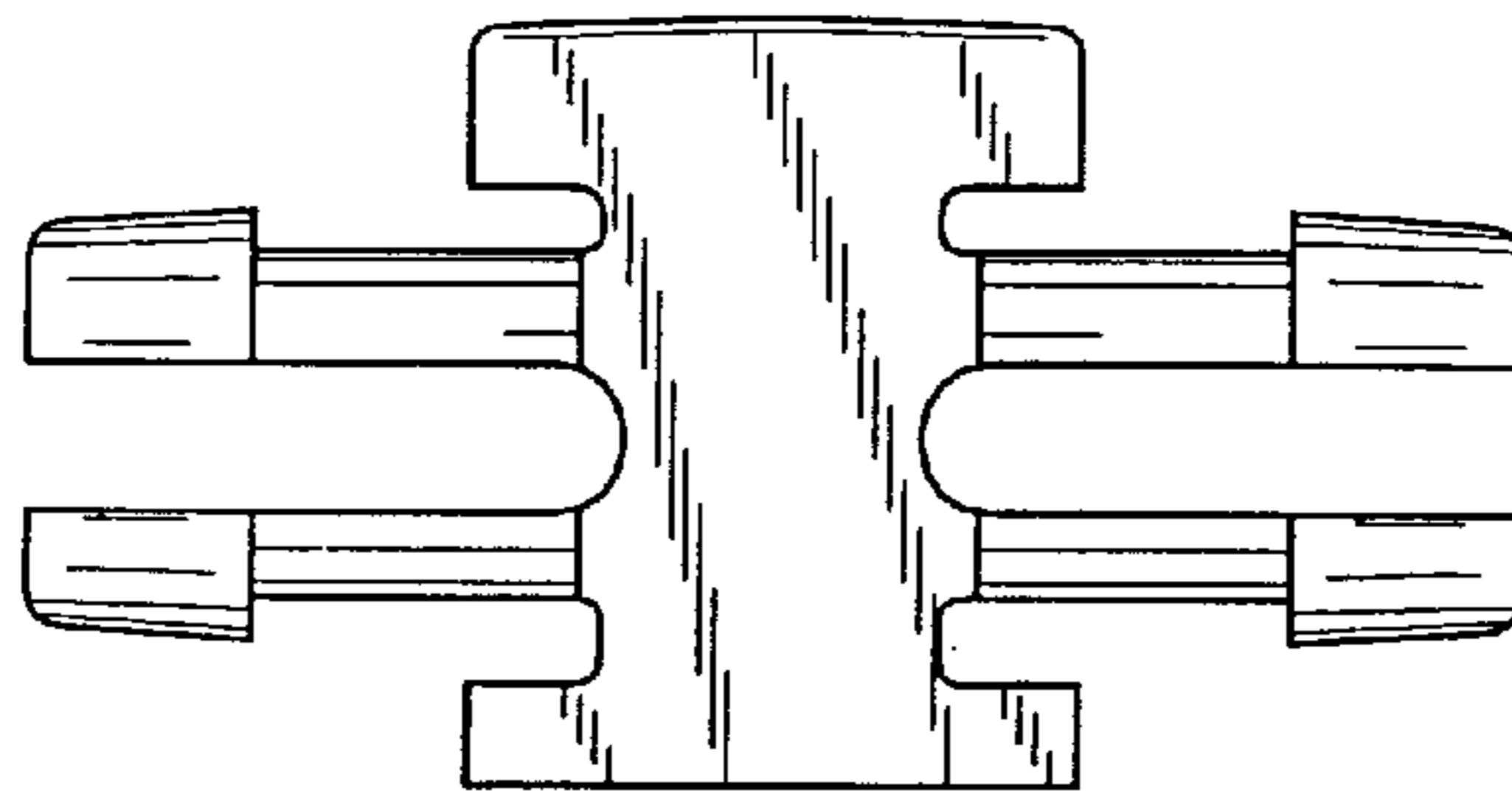


FIG. 8