



US00D431000S

United States Patent [19]

Parks et al.

[11] **Patent Number: Des. 431,000**

[45] **Date of Patent: ** Sep. 19, 2000**

[54] **ORNAMENTAL FRAME FITTING**

[76] Inventors: **William Parks**, 2009 S. Main; **Kevin Werre**, 1023 E. E St., both of Moscow, Id. 83843

[**] Term: **14 Years**

[21] Appl. No.: **29/109,273**

[22] Filed: **Aug. 12, 1999**

[51] **LOC (7) Cl.** **08-05**

[52] **U.S. Cl.** **D8/380**

[58] **Field of Search** D8/380; 248/74.1-74.4, 248/68.1, 73, 62

[56] **References Cited**

U.S. PATENT DOCUMENTS

- D. 304,904 12/1989 Kercher D8/380
- D. 392,553 3/1998 Dill D8/380

Primary Examiner—Holly Baynham

Attorney, Agent, or Firm—Wells, St. John, Roberts, Gregory & Matkin, P.S.

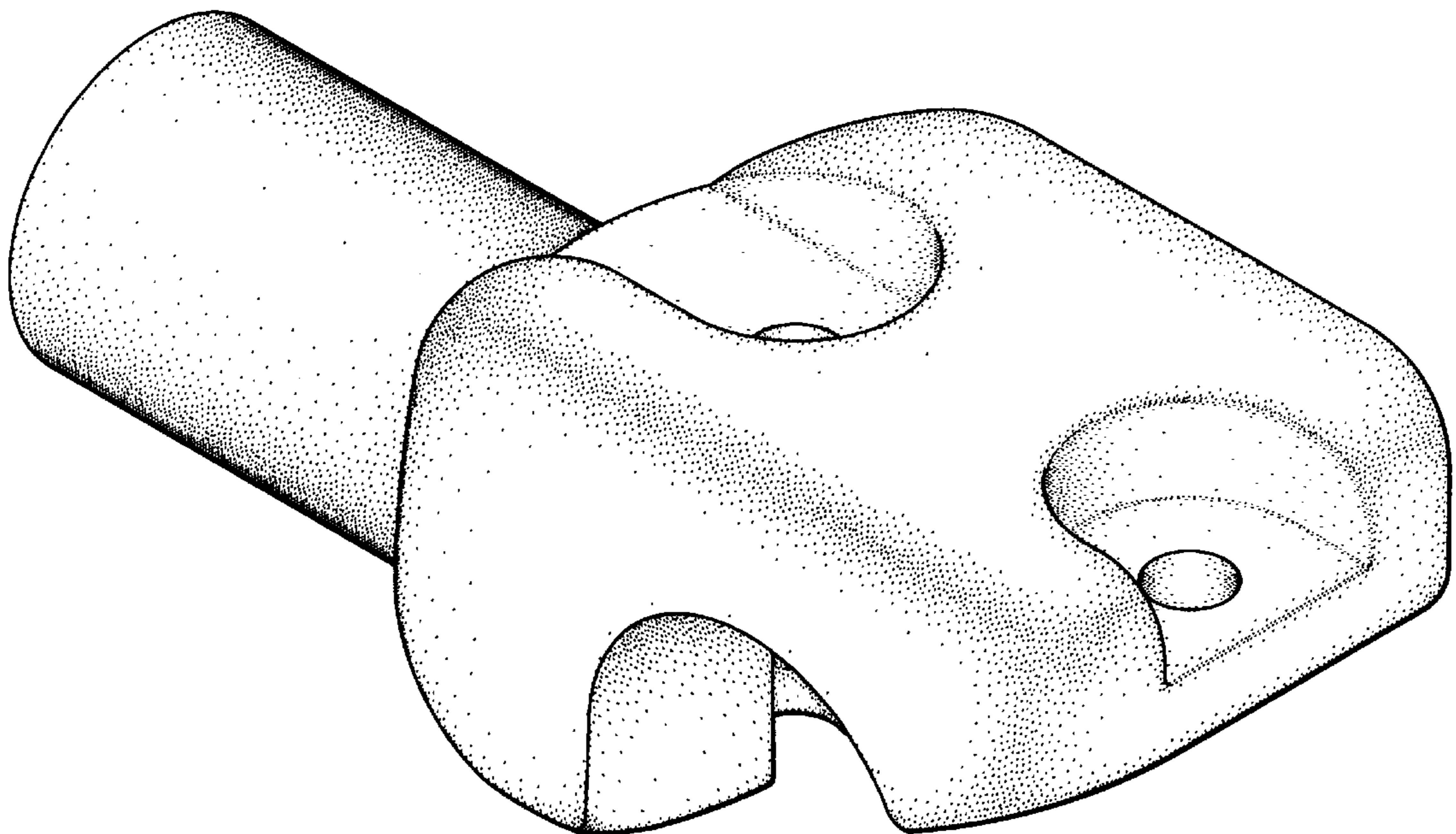
[57] **CLAIM**

The ornamental design for ornamental frame fitting, as shown and described.

DESCRIPTION

FIG. 1 is a top view of the frame fitting according to the design;
 FIG. 2 is a right side elevation view of the frame fitting, which is identical to the left side elevation view of the frame fitting;
 FIG. 3 is a bottom view of the frame fitting;
 FIG. 4 is a front end view of the frame fitting;
 FIG. 5 is a rear end view of the frame fitting;
 FIG. 6 is a perspective view of the frame fitting; and,
 FIG. 7 is a perspective view of the frame fitting with the broken line showing of a partial pipe is for illustrative purposes only and forms no part of the claimed design.

1 Claim, 4 Drawing Sheets



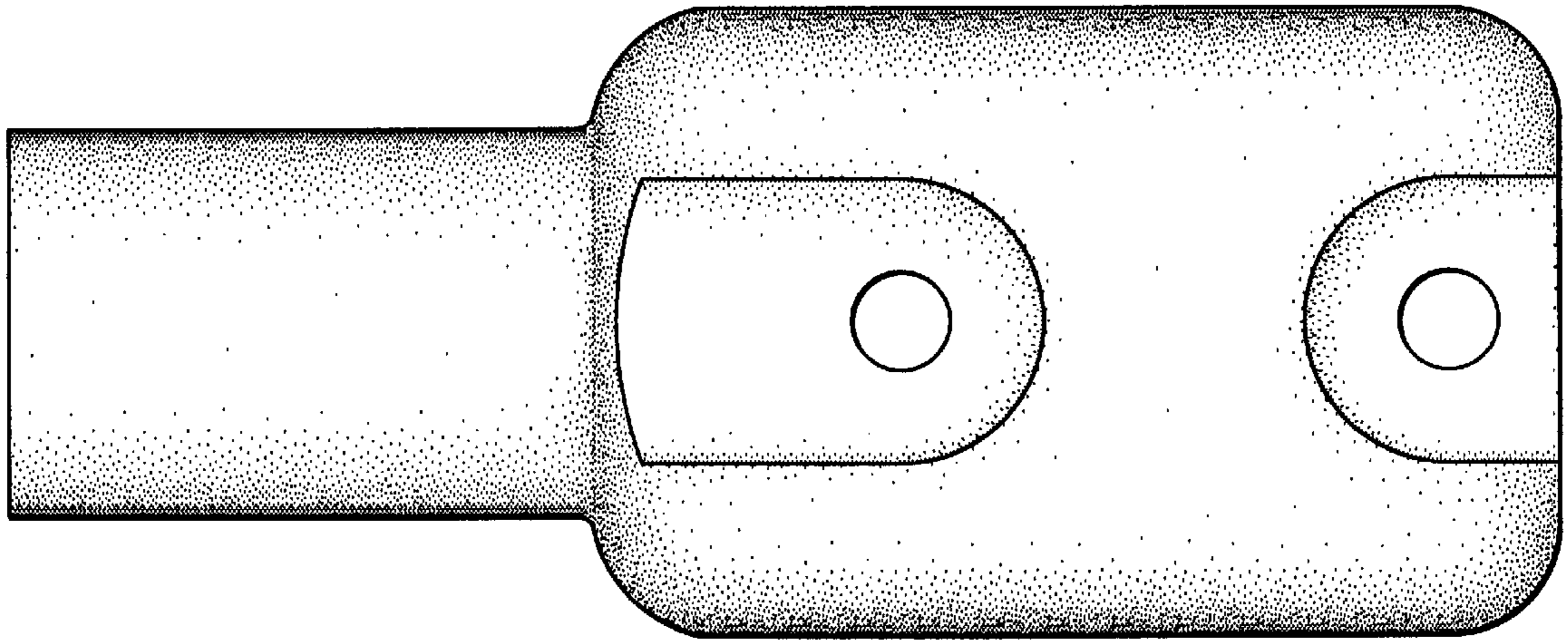


Fig. 1

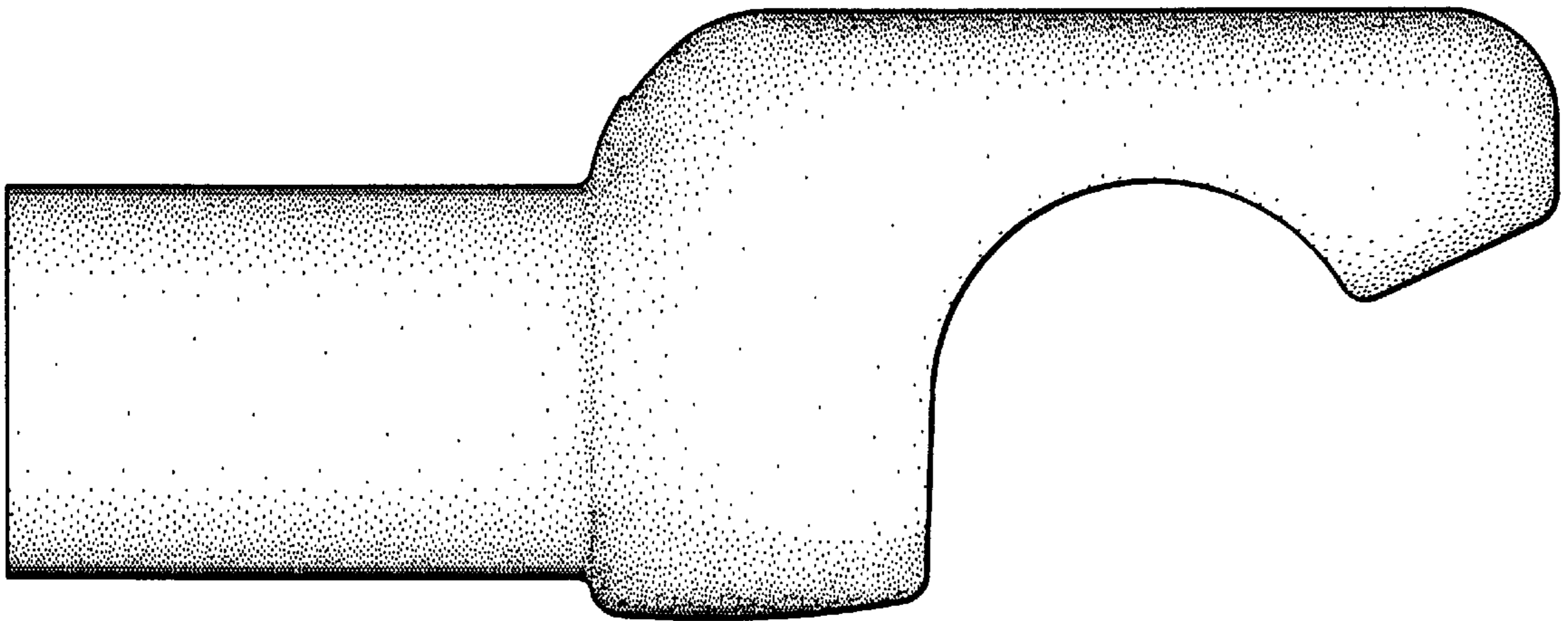


Fig. 2

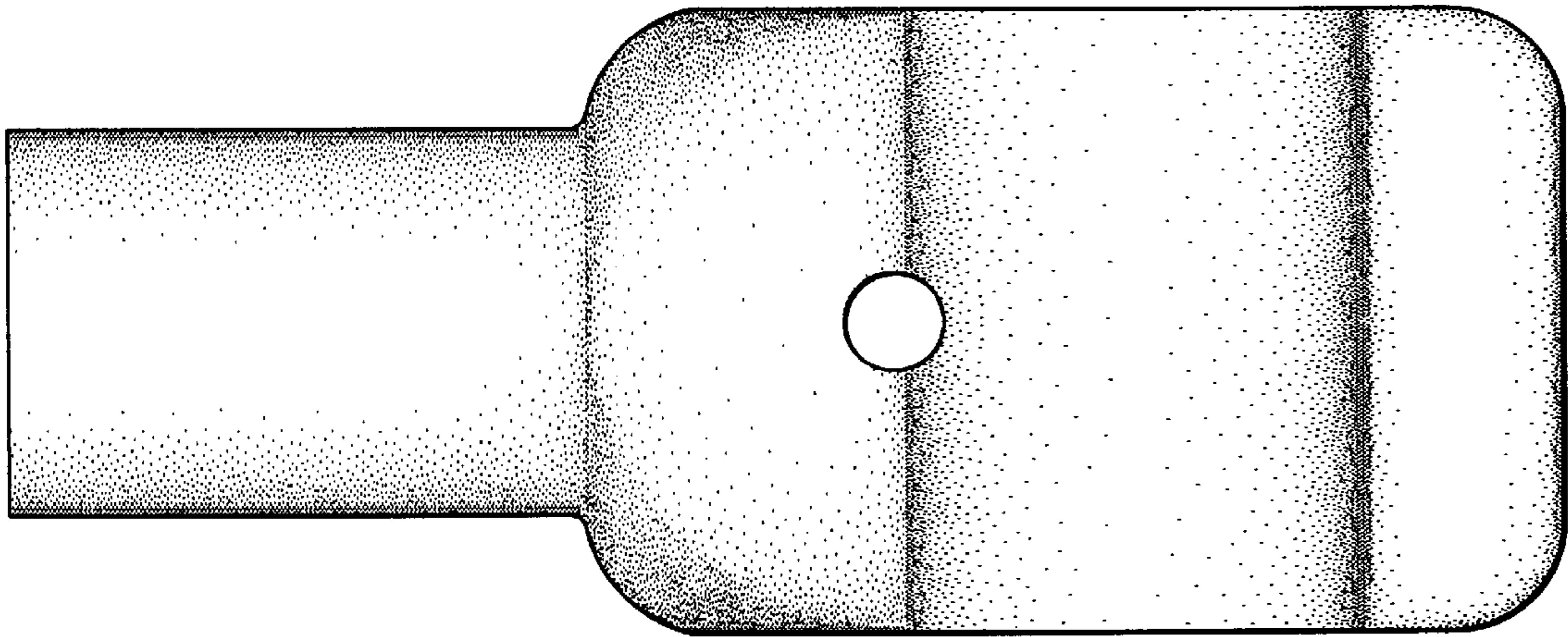


Fig. 2

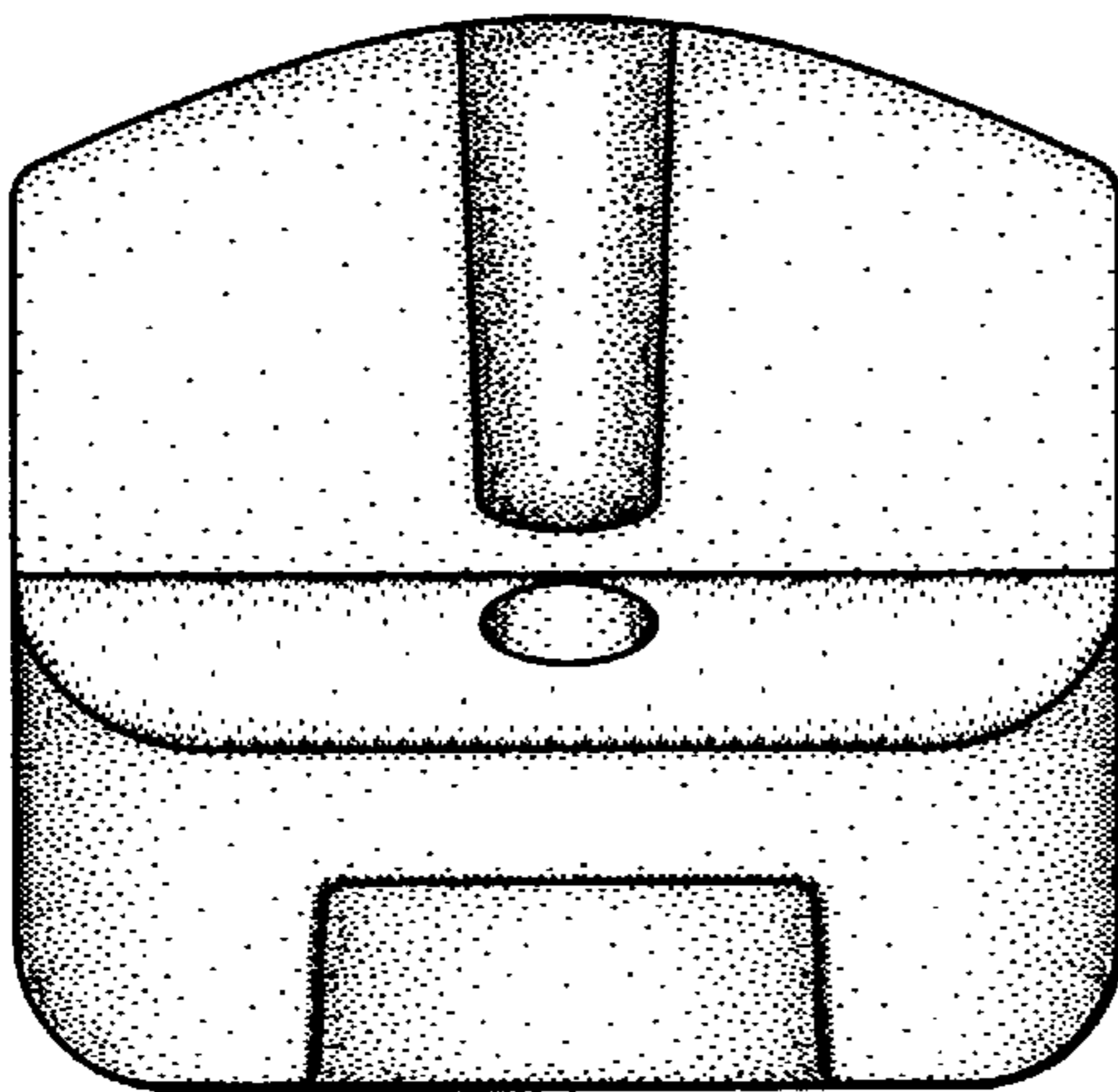


Fig. 3

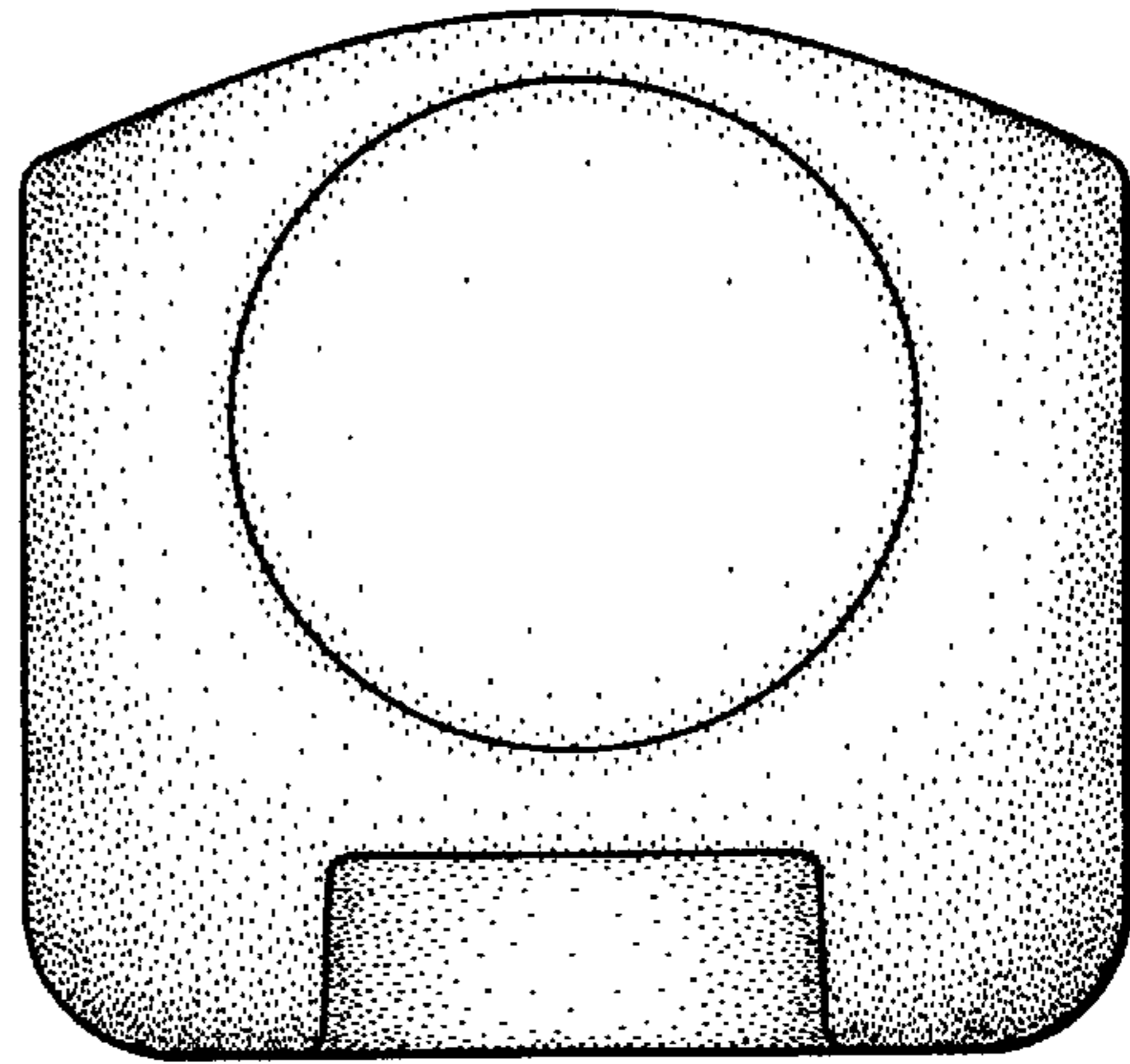
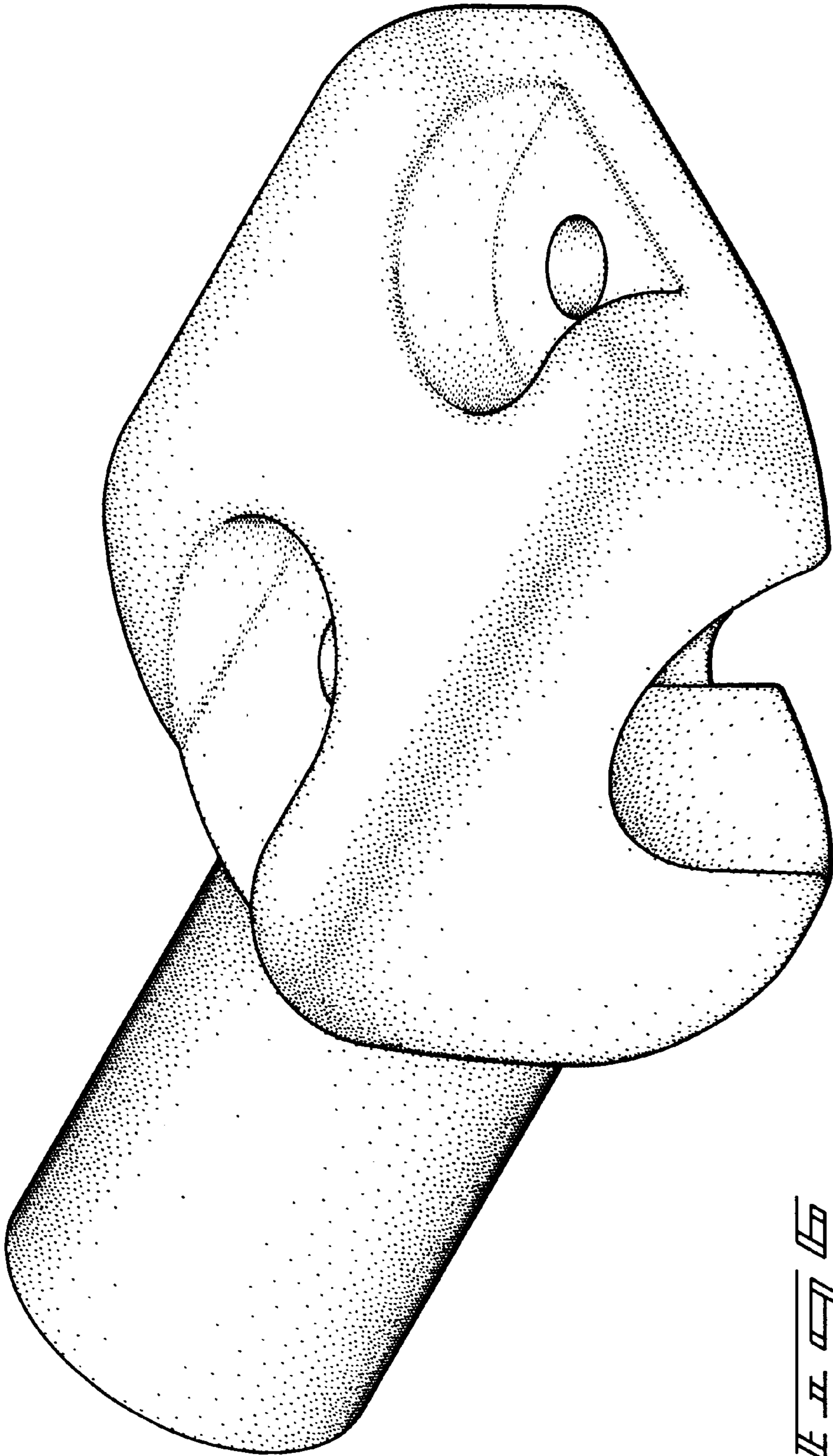


Fig. 4



11 11 11 11

