



US00D430998S

**United States Patent** [19]  
**Chelaru**

[11] **Patent Number: Des. 430,998**

[45] **Date of Patent: \*\* Sep. 19, 2000**

[54] **LOCK IN THE SHAPE OF A BASKETBALL**

[76] Inventor: **Darius Chris Chelaru**, 539 W. 49th St., Apt. 1B, New York, N.Y. 10019

[\*\*] Term: **14 Years**

[21] Appl. No.: **29/114,101**

[22] Filed: **Nov. 18, 1999**

[51] **LOC (7) Cl.** ..... **08-07**

[52] **U.S. Cl.** ..... **D8/335**

[58] **Field of Search** ..... D8/333, 334, 335;  
70/14, 20, 21, 22, 24, 25, 27, 28, 29, 31,  
35, 38 A, 40, 41, 54

[56] **References Cited**

**U.S. PATENT DOCUMENTS**

D. 144,685	5/1946	Bouhall	.....	D8/334
D. 409,075	5/1999	Berger	.....	D8/335
4,744,229	5/1988	Stanich	.....	70/54

*Primary Examiner*—Susan J. Lucas  
*Assistant Examiner*—Jennifer Rivard  
*Attorney, Agent, or Firm*—Steven Horowitz

[57] **CLAIM**

The ornamental design for a lock in the shape of a basketball, as shown and described.

**DESCRIPTION**

FIG. 1 is a front elevation view of the lock in the shape of a basketball of the present invention.

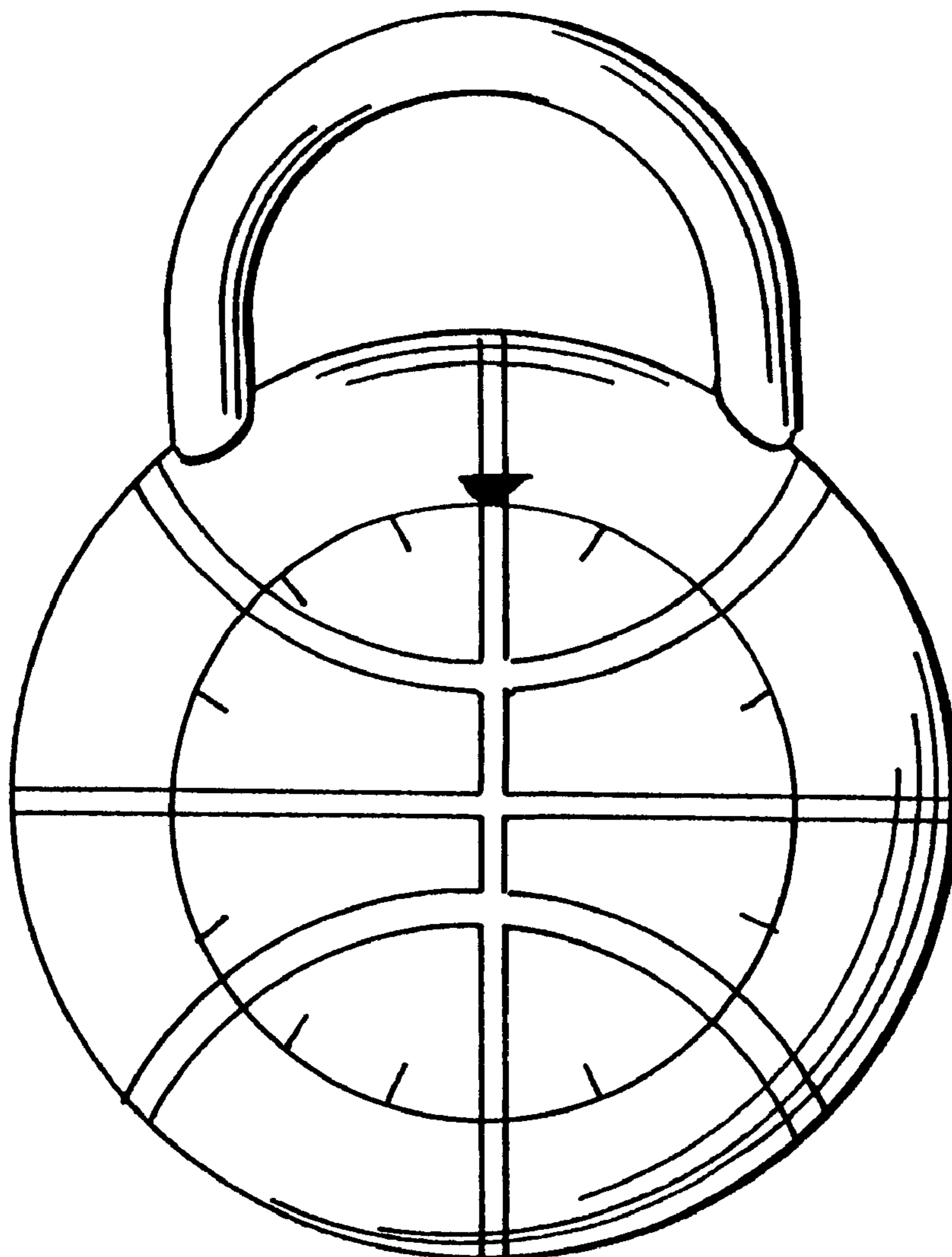
FIG. 2 is a top plan view of the lock in the shape of a basketball of the present invention.

FIG. 3 is a bottom plan view of the lock in the shape of a basketball of the present invention.

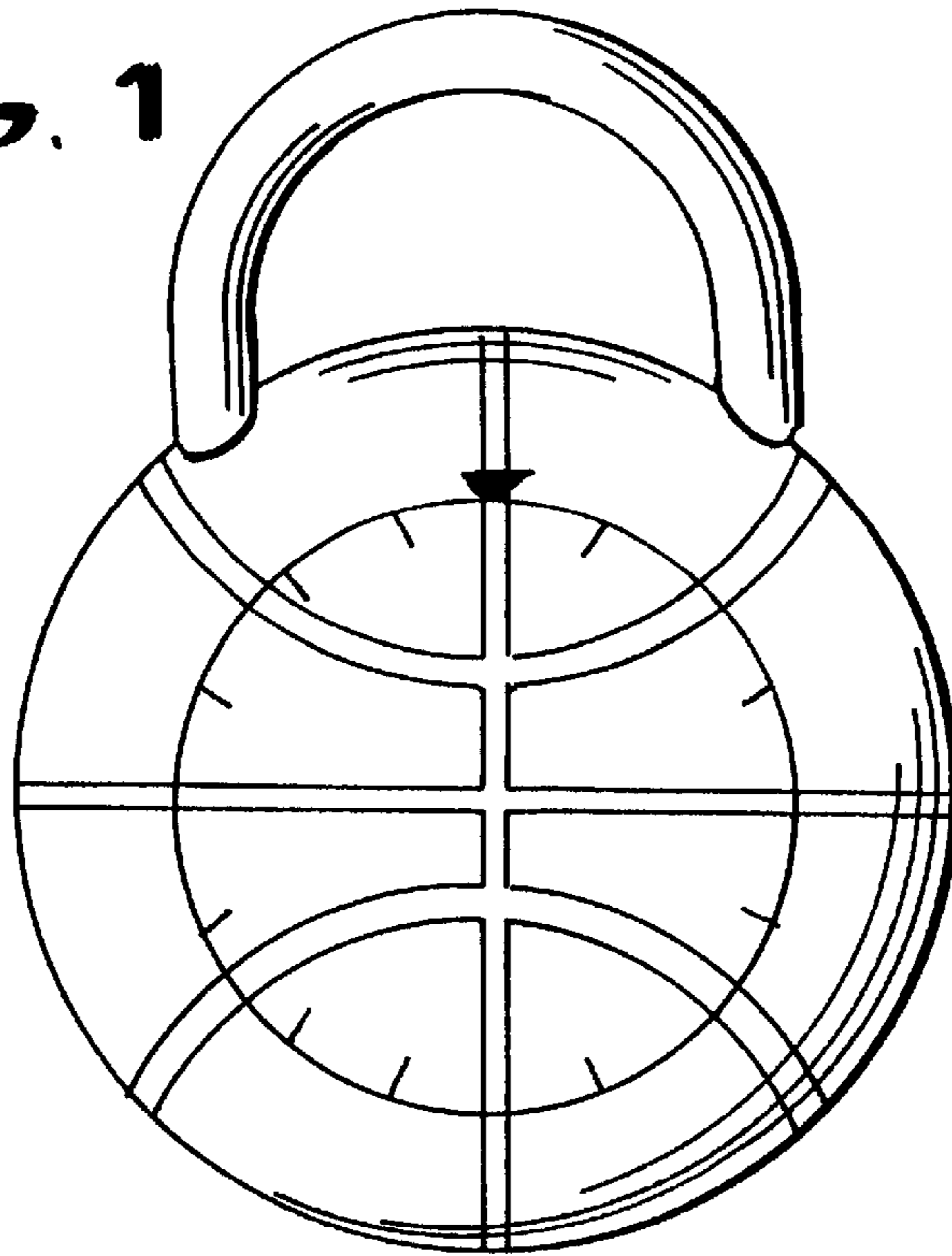
FIG. 4 is a side elevation view of the lock in the shape of a basketball of the present invention; and,

FIG. 5 is a rear elevation view of the lock in the shape of a basketball of the present invention.

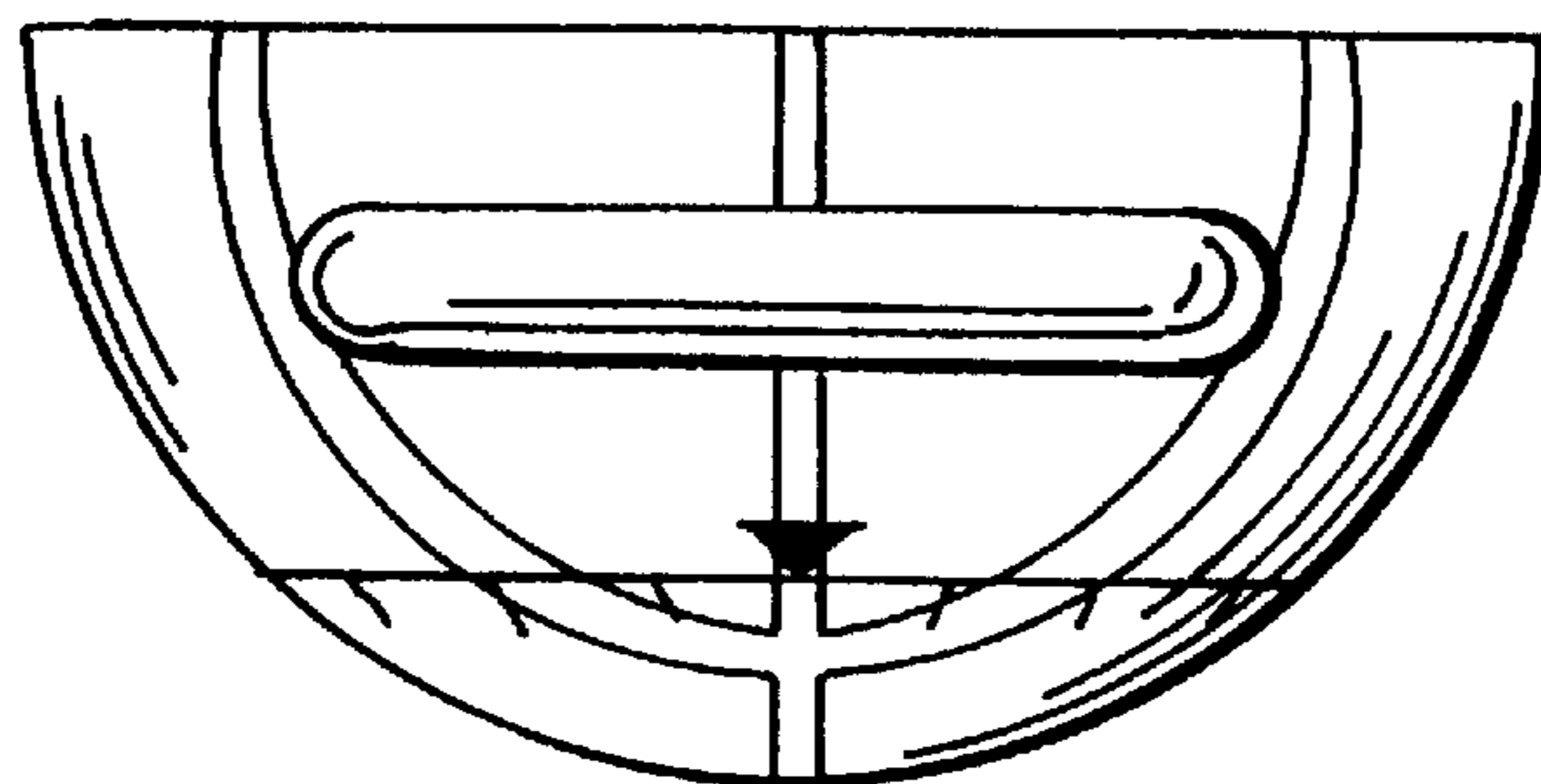
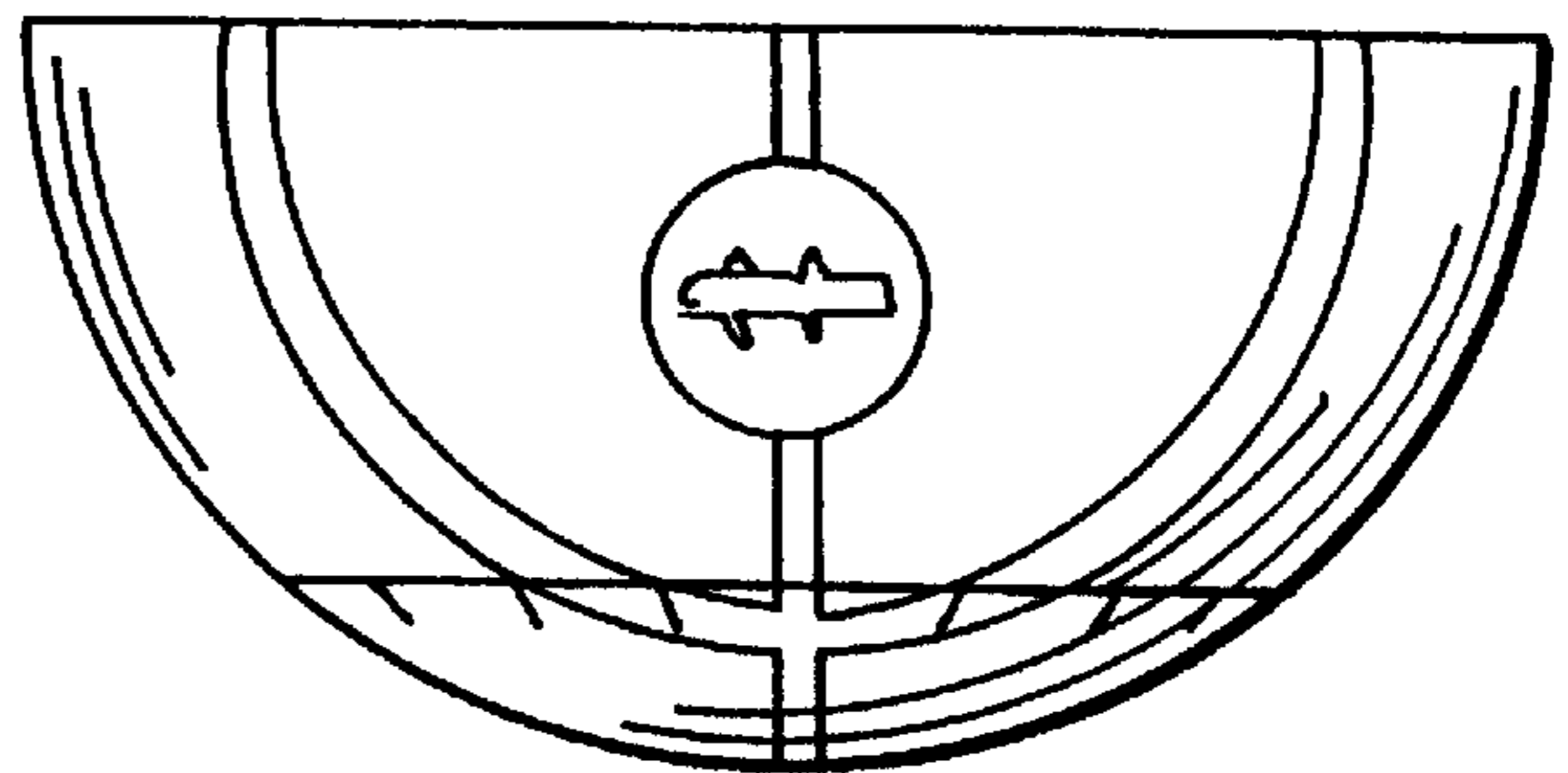
**1 Claim, 2 Drawing Sheets**



**FIG. 1**

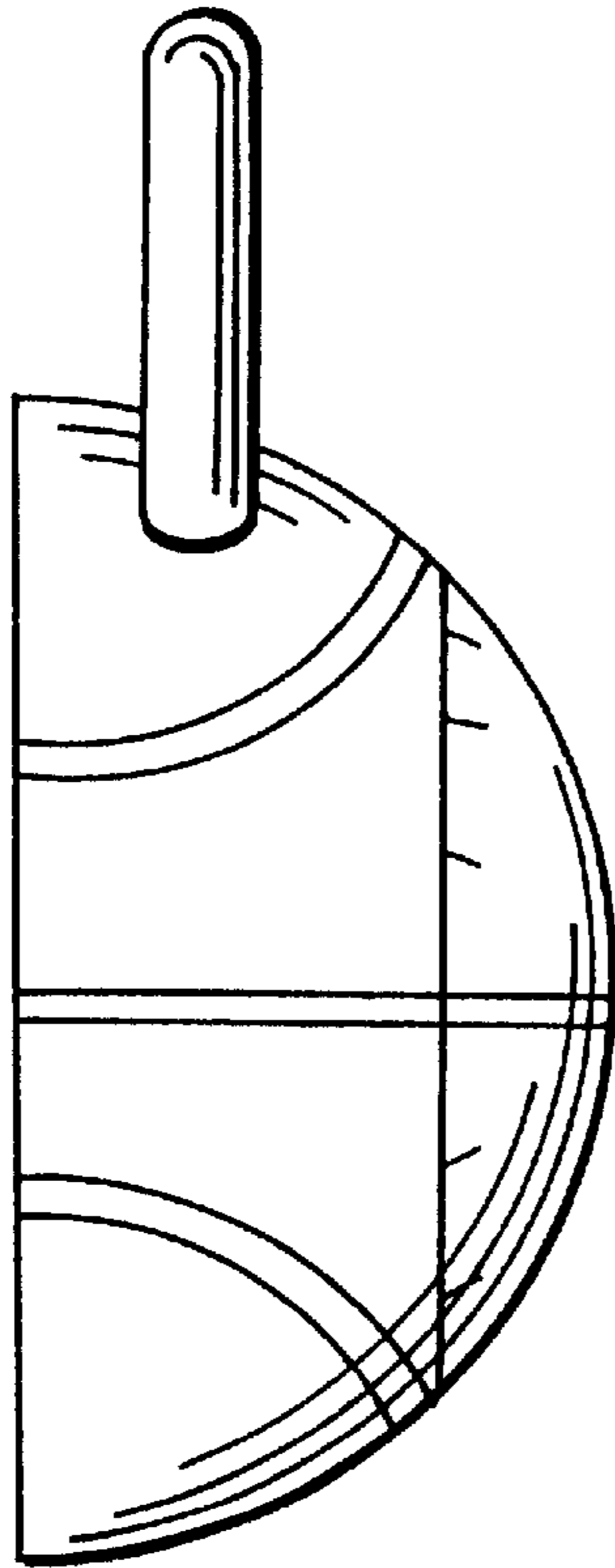


**FIG. 3**



**FIG. 2**

**FIG. 4**



**FIG. 5**

