



US00D430996S

United States Patent [19]
Decker

[11] **Patent Number: Des. 430,996**

[45] **Date of Patent: ** Sep. 19, 2000**

[54] **CUTTING ROD**

[75] Inventor: **Raymond E. Decker**, Riverside, Calif.

[73] Assignee: **Mesa Industries, Inc.**, Monrovia, Calif.

[**] Term: **14 Years**

[21] Appl. No.: **29/112,771**

[22] Filed: **Oct. 22, 1999**

[51] **LOC (7) Cl.** **08-03**

[52] **U.S. Cl.** **D8/98; D8/45**

[58] **Field of Search** D8/14, 45, 98;
D10/71; D32/41, 49; 15/235.5, 236.01;
30/314, 315, 340, 342, 344

[56] **References Cited**

U.S. PATENT DOCUMENTS

D. 158,145	4/1950	Staab	D10/71
D. 185,045	4/1959	Slaton	D10/71
D. 214,085	5/1969	Fremdling	D32/41
D. 298,300	11/1988	Leray	D32/49
D. 352,432	11/1994	Monroe	D8/45
D. 379,913	6/1997	Prosser	D8/98

3,613,243	10/1971	Baker	30/314
3,890,707	6/1975	Cremonese	30/315
4,052,791	10/1977	Anesi	30/315
4,924,575	5/1990	James	30/315

Primary Examiner—Philip S. Hyder
Attorney, Agent, or Firm—Christie, Parker & Hale, LLP

[57] **CLAIM**

The ornamental design for a cutting rod, as shown and described.

DESCRIPTION

FIG. 1 is a side elevation of a cutting rod according to my design;

FIG. 2 is a bottom view of the cutting rod as depicted in FIG. 1;

FIG. 3 is an inverted side view of the opposite side of the cutting rod shown in FIG. 1;

FIG. 4 is a view taken from the top of FIG. 1;

FIG. 5 is an end view of the left end of FIG. 1; and,

FIG. 6 is an enlarged sectional view taken on line 6—6 of FIG. 3.

1 Claim, 1 Drawing Sheet

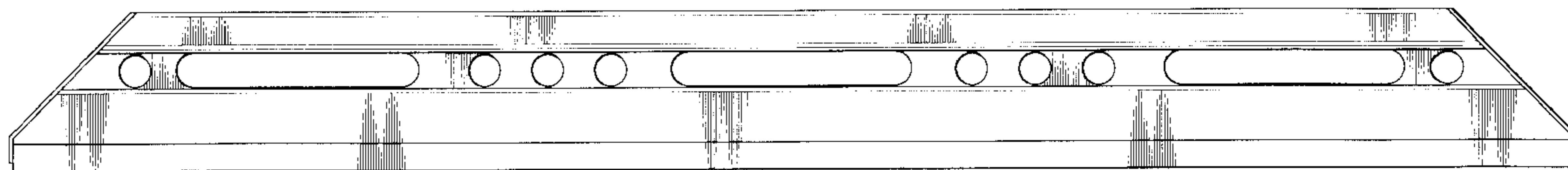


FIG. 5

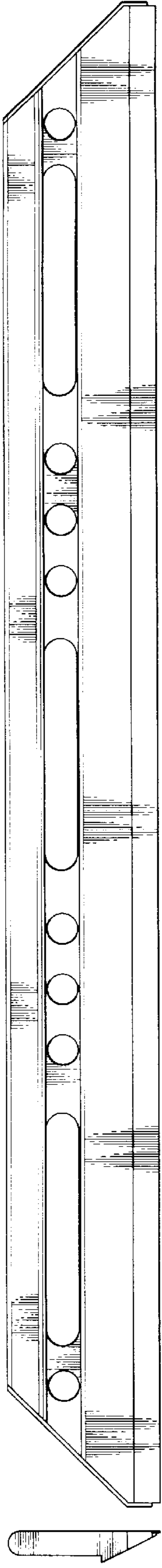


FIG. 1

FIG. 2



FIG. 3

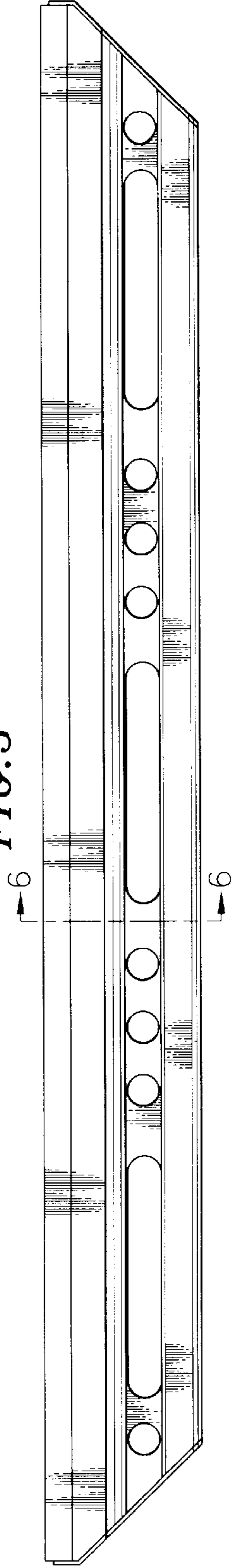


FIG. 4

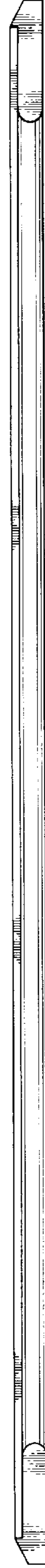


FIG. 6

