

US00D430995S

United States Patent [19]

Izumisawa

[11] Patent Number: Des. 430,995

[45] Date of Patent: ** Sep. 19, 2000

[54] MINIATURE SANDER

[75] Inventor: Osamu Izumisawa, Tokyo, Japan

[73] Assignee: S.P. Air Kabushiki Kaisha, Nagano Pref., Japan

[**] Term: 14 Years

[21] Appl. No.: 29/107,335

[22] Filed: Jul. 1, 1999

[51] LOC (7) Cl. 08-01

[52] U.S. Cl. D8/62; D8/68

[58] Field of Search D8/61, 62, 70, D8/82, 83, 86, 107, DIG. 7; 81/54, 55, 57, 57.11, 57.14, 177.1, 177.85, 409, 436, 900, 439, 901; 173/170, 13, 19, 171, 213, 217; 451/344, 354, 357-359, 458, 48, 103, 108, 111, 119, 162, 177, 259, 270

D. 324,801	3/1992	Caskey et al.	D8/68
D. 324,802	3/1992	Caskey et al.	D8/68
D. 324,803	3/1992	Butzen et al.	D8/62
D. 325,861	5/1992	Saito et al.	D8/68
D. 327,620	7/1992	Fisher	D8/68
D. 330,151	10/1992	Fisher	D8/62
D. 344,000	2/1994	Shibata et al.	D8/68
D. 347,087	5/1994	Griffin	D28/62
D. 357,849	5/1995	Izumisawa	D8/62
D. 358,314	5/1995	Izumisawa	D8/62
D. 358,315	5/1995	Raines	D8/64
D. 360,129	7/1995	Guegan et al.	D8/68
D. 364,544	11/1995	Izumisawa	D8/62
D. 394,995	6/1998	Cooper	D8/68
D. 396,395	7/1998	Zurwelle	D8/68
D. 400,074	10/1998	Cooper	D8/68
2,829,285	4/1958	Steiner et al.	310/50
3,352,368	11/1967	Maffey, Jr.	173/169
4,416,338	11/1983	Nelson et al.	173/134
4,903,944	2/1990	Butzen et al.	251/240
5,406,752	4/1995	Neff	451/344

[56] References Cited

U.S. PATENT DOCUMENTS

D. 205,091	6/1966	Averitt	D54/15
D. 233,130	10/1974	Slany	D8/68
D. 233,131	10/1974	Slany	D8/68
D. 256,771	9/1980	Kitagawa et al.	D8/68
D. 256,980	9/1980	Adams et al.	D8/68
D. 269,588	7/1983	Ludwig	D8/107
D. 279,074	6/1985	Honeyman et al.	D8/14.1
D. 288,769	3/1987	Doman	D8/21
D. 288,770	3/1987	Doman	D8/21
D. 289,136	4/1987	Doman	D8/62
D. 292,169	10/1987	House, II et al.	D8/68
D. 296,412	6/1988	Nelson et al.	D8/68
D. 296,865	7/1988	Roxton	D8/68
D. 298,301	11/1988	Stephan	D8/61
D. 299,411	1/1989	Porcaro	D8/68
D. 300,313	3/1989	Izumisawa	D8/68
D. 302,378	7/1989	Nelson	D8/61
D. 313,736	1/1991	Boliver et al.	D8/14.1
D. 316,019	4/1991	Belanger	D8/30
D. 319,763	9/1991	Reiferscheid	D8/68
D. 324,800	3/1992	Butzen et al.	D8/62

Primary Examiner—Martie K. Holtje
Attorney, Agent, or Firm—Senniger, Powers, Leavitt & Roedel

[57] CLAIM

The ornamental design for a miniature sander, as shown and described.

DESCRIPTION

FIG. 1 is a left side elevational view of the miniature sander of my new design, the right side elevational view being a mirror image of the left side; FIG. 2 is a front elevational view thereof; FIG. 3 is a rear elevational view thereof; FIG. 4 is a top plan view thereof; FIG. 5 is a bottom plan view thereof; and, FIG. 6 is a rear elevational view of a second embodiment of the miniature sander of my new design, the left side elevational, front elevational, top plan and bottom plan views being identical to FIGS. 1, 2, 4, and 5, respectfully.

1 Claim, 2 Drawing Sheets

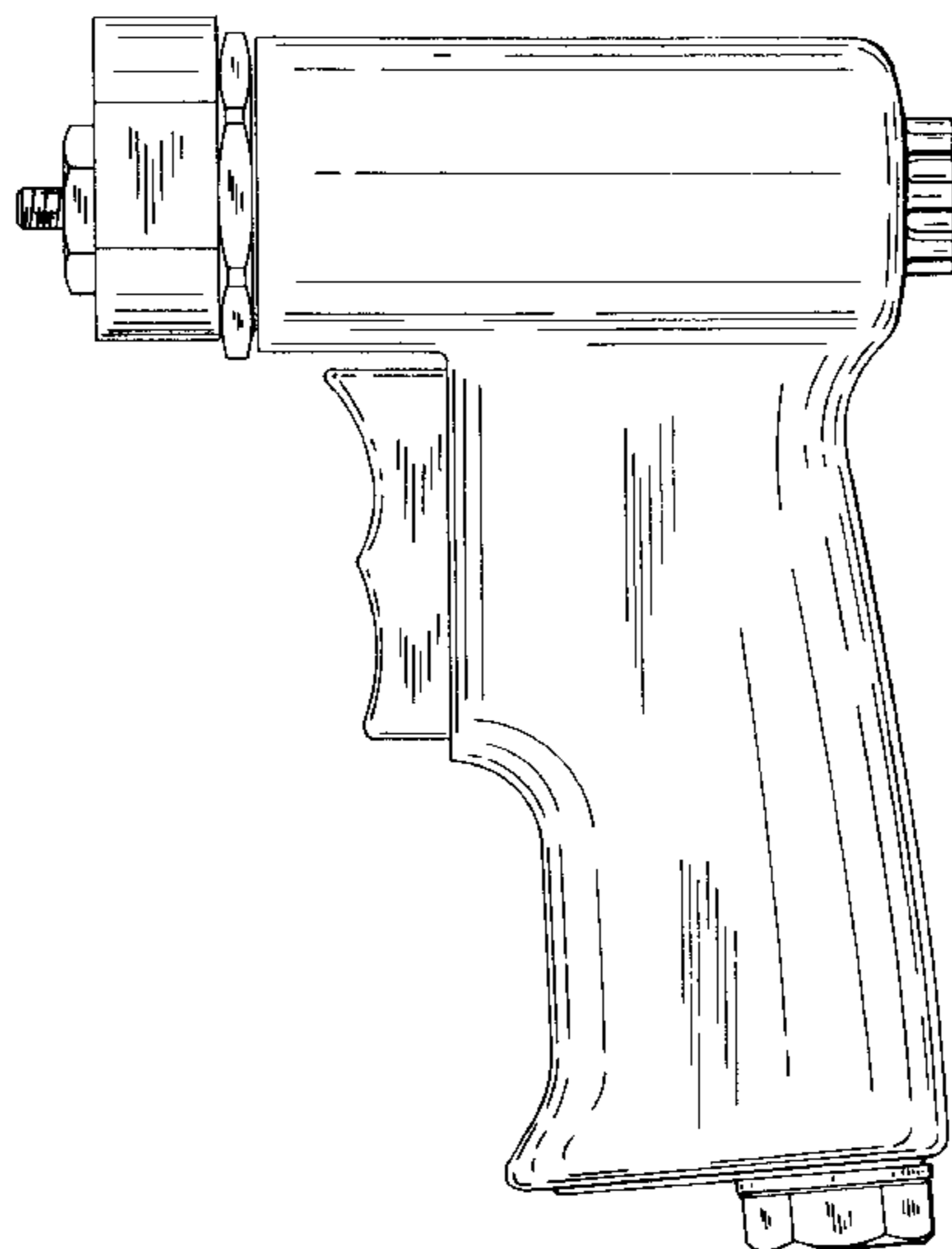


FIG. 1

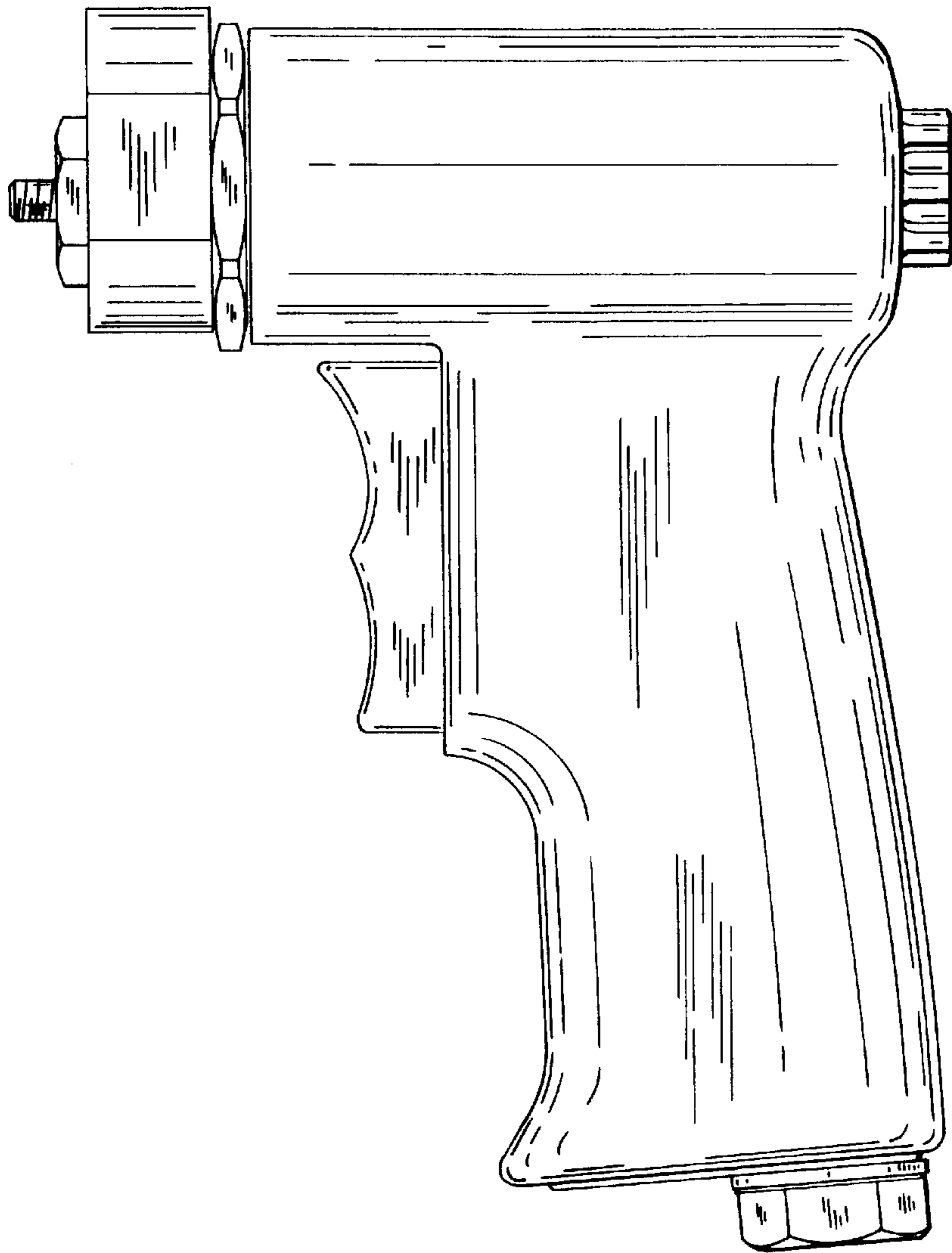


FIG. 4

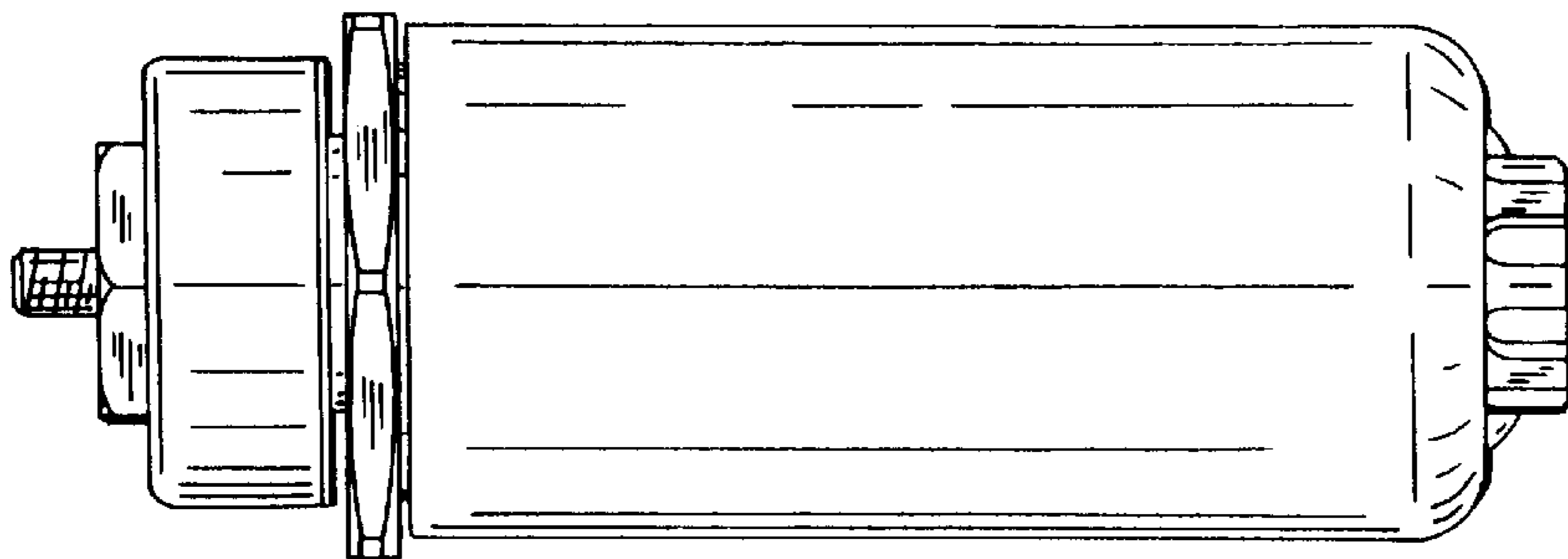


FIG. 2

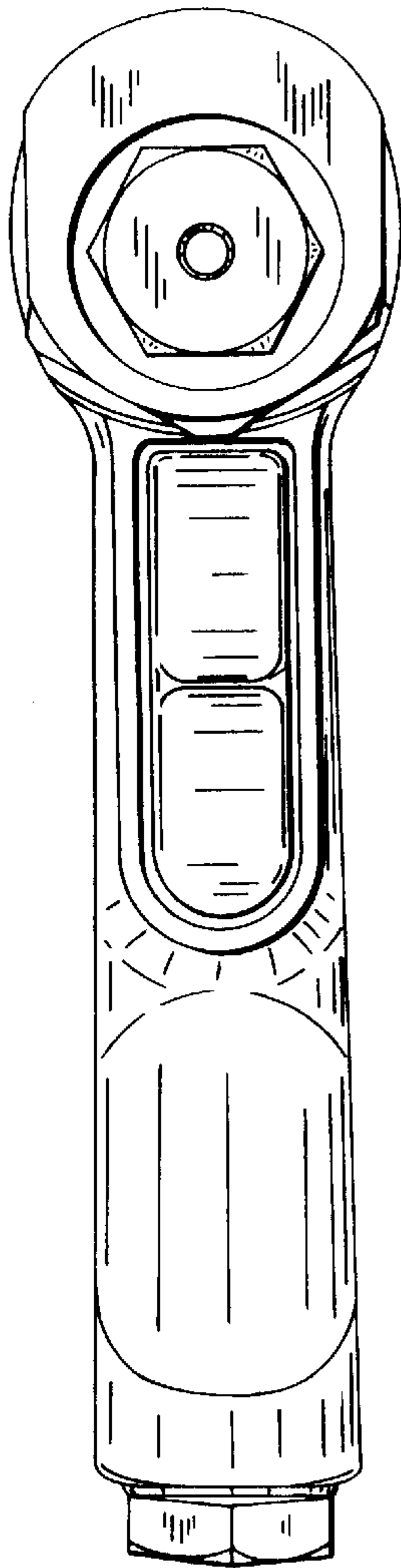


FIG. 3

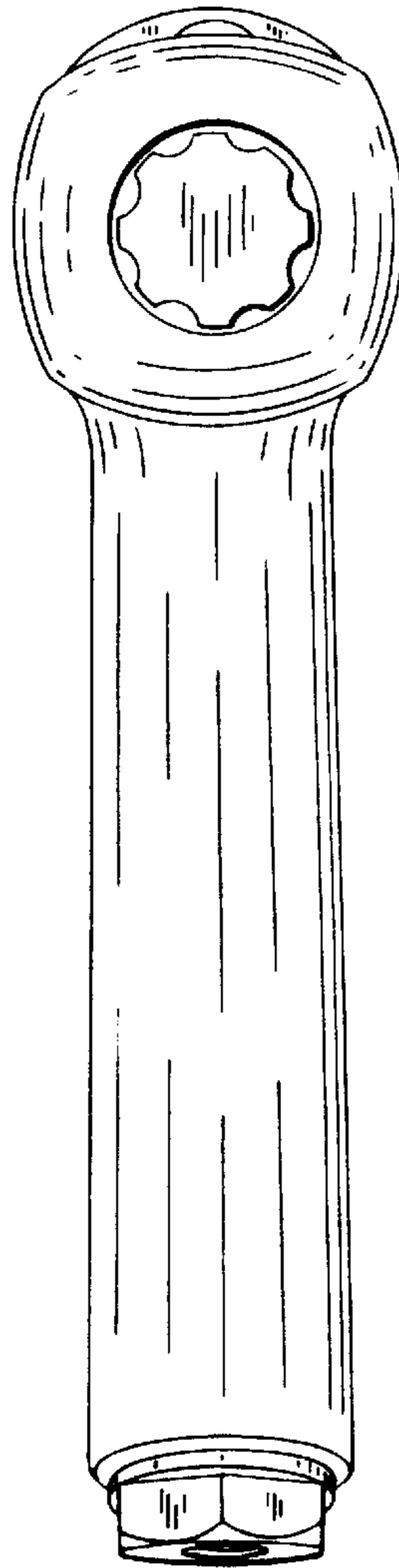


FIG. 6

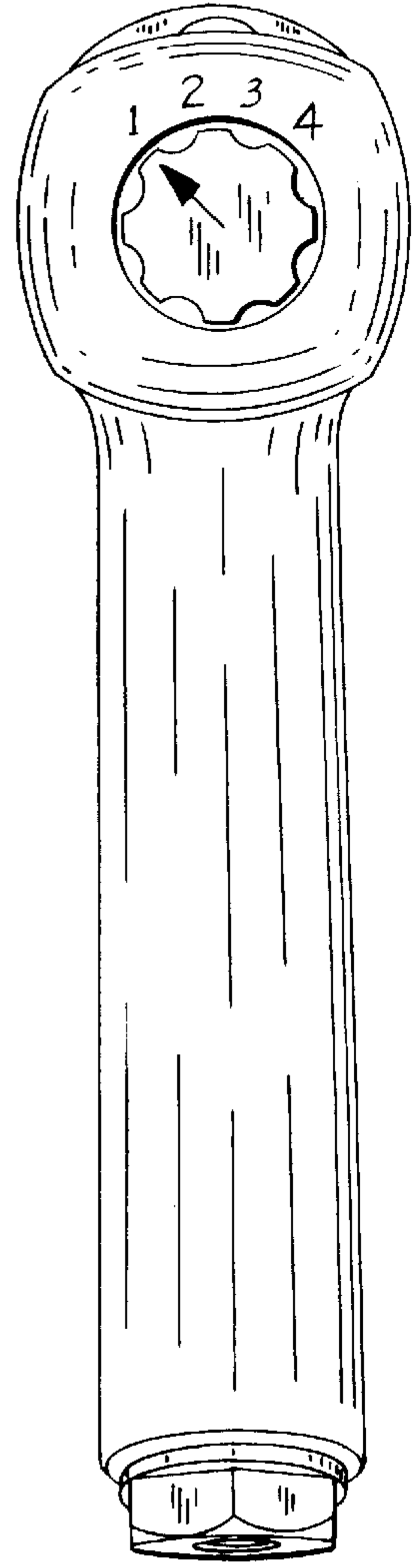


FIG. 5

