



US00D430993S

United States Patent [19]

Nottingham et al.

[11] Patent Number: Des. 430,993

[45] Date of Patent: ** Sep. 19, 2000

[54] THERMAL PIZZA BAG

4,816,646 3/1989 Solomon et al. .

[75] Inventors: **John Nottingham**, Hunting Valley;
John Spirk, Gates Mills; **Jeffrey Plantz**, Medina, all of Ohio

OTHER PUBLICATIONS

Paper grocery bag.

[73] Assignee: **Innovon, L.L.C.**, Cleveland, Ohio

Primary Examiner—Terry A. Wallace

Attorney, Agent, or Firm—Vickers Daniels & Young

[**] Term: **14 Years**

[57] CLAIM

[21] Appl. No.: 29/112,362

The ornamental design for a thermal pizza bag, as shown and described.

[22] Filed: **Oct. 15, 1999**

DESCRIPTION

[51] **LOC (7) Cl.** **07-07**

[52] **U.S. Cl.** **D7/607**

[58] **Field of Search** D7/605, 607; D3/273,
D3/276, 299; 62/457.1, 371, 530; 206/545;
383/97, 99, 110, 113

FIG. 1 is a left side perspective view of a thermal pizza bag showing our new design, unfolded, and with the resealable flap in the partially open position;

FIG. 2 is a front perspective view thereof, with the resealable flap in the closed position;

FIG. 3 is a front elevational view thereof, with the thermal pizza bag in the folded condition;

FIG. 4 is a top plan view thereof, with the resealable flap in the fully open position;

FIG. 5 is a left side elevational view thereof, with the resealable flap in the fully opened position;

FIG. 6 is a right side elevational view thereof, with the resealable flap in the fully opened position;

FIG. 7 is a bottom plan view thereof, with the resealable flap in the fully opened position;

FIG. 8 is a back elevational view thereof; and,

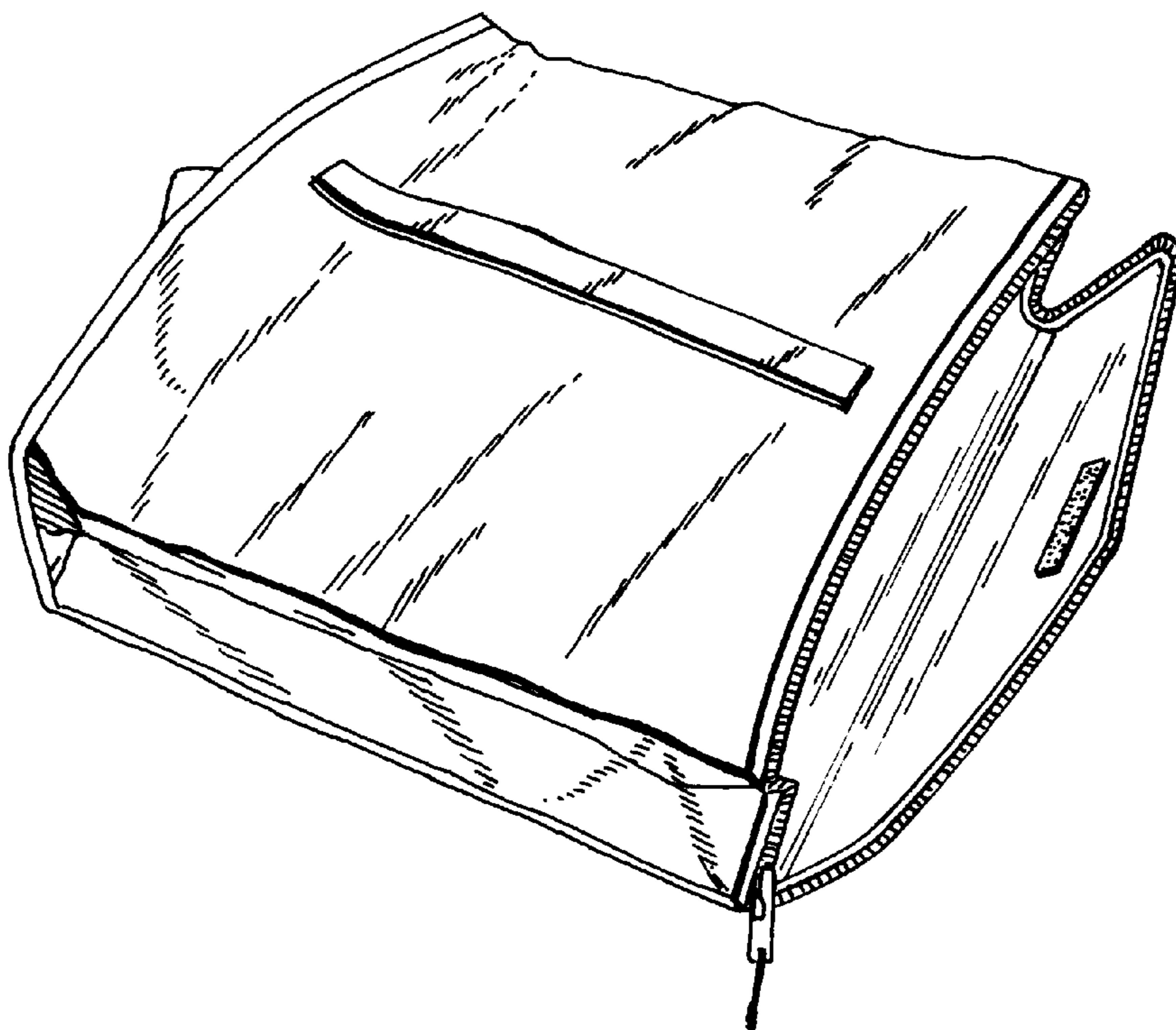
FIG. 9 is a front elevational view thereof, with the resealable flap in the fully opened position.

[56] References Cited

U.S. PATENT DOCUMENTS

D. 260,327	8/1981	Rabinowitz et al. .	
D. 277,904	3/1985	Rabinowitz .	
D. 281,120	10/1985	Rabinowitz .	
D. 299,406	1/1989	Jacober .	
D. 374,348	10/1996	Sarver .	
D. 380,945	7/1997	Algeria et al. .	
D. 383,360	9/1997	Melk .	
D. 396,749	8/1998	Ortiz .	
D. 411,419	6/1999	Wyant .	
3,428,103	2/1969	Walsh	383/110 X
4,521,910	6/1985	Keppel et al.	383/110 X
4,578,814	3/1986	Skamser	206/545 X
4,805,776	2/1989	Namgyal et al. .	

1 Claim, 2 Drawing Sheets



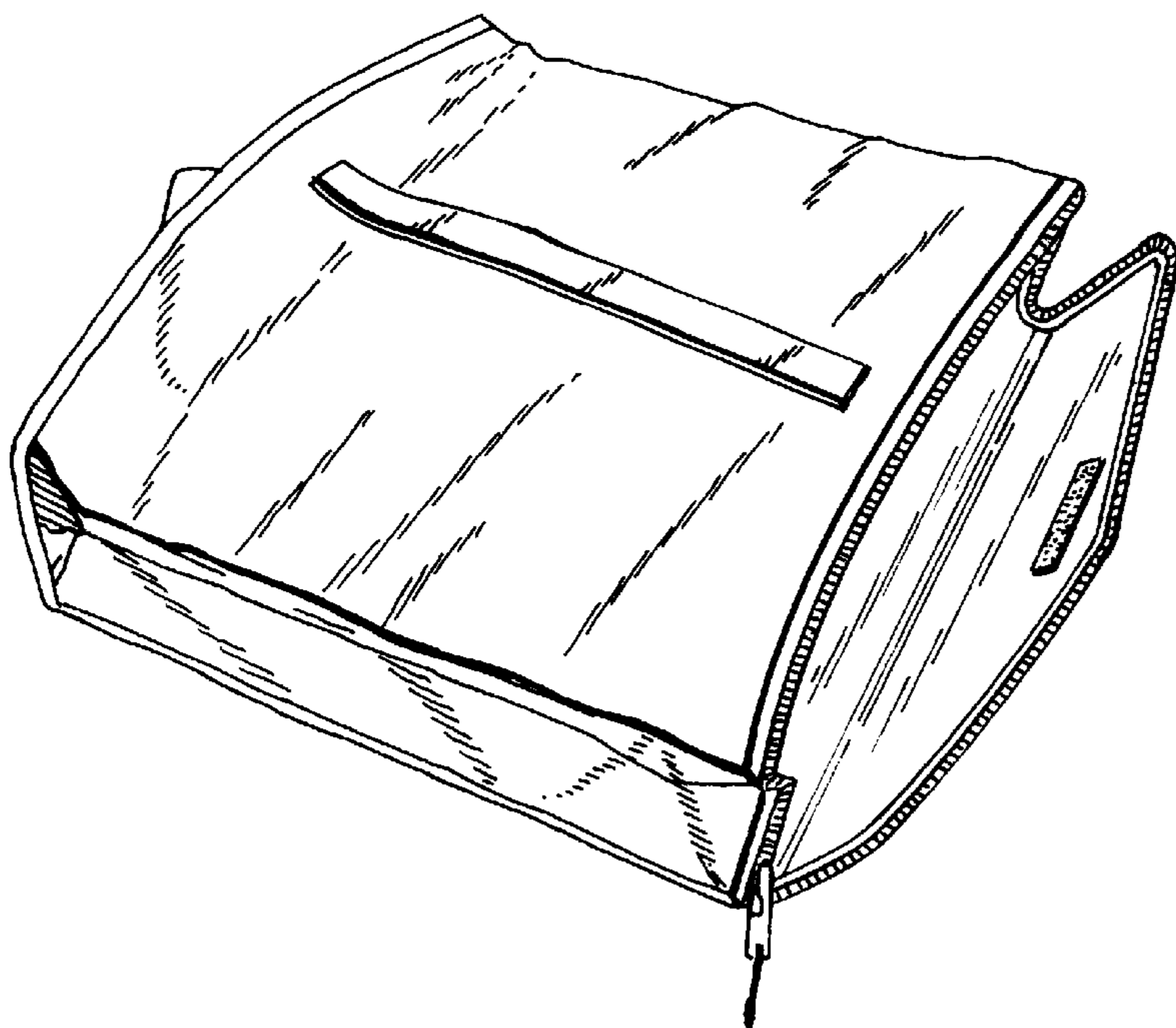


FIG. 1

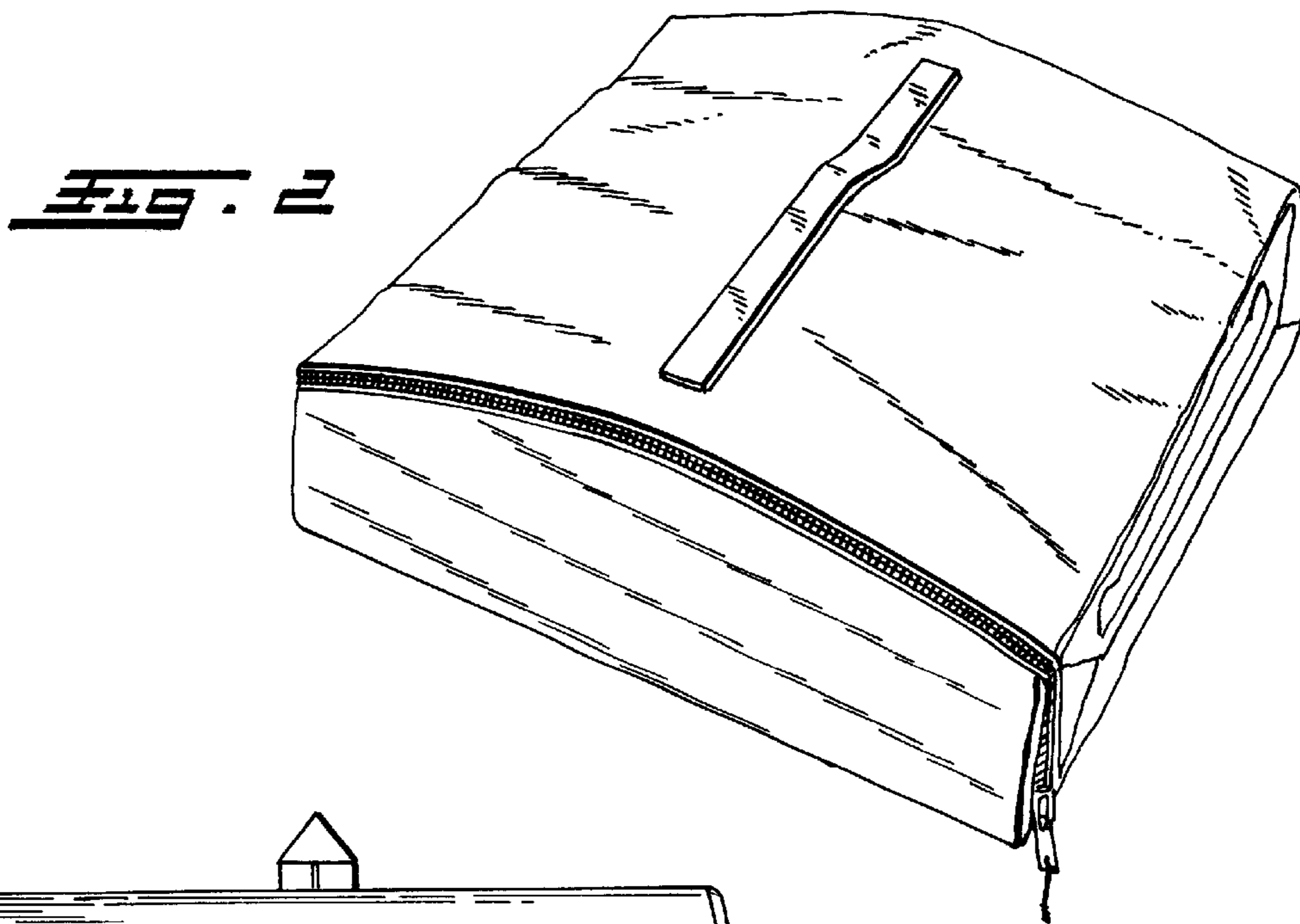


FIG. 2

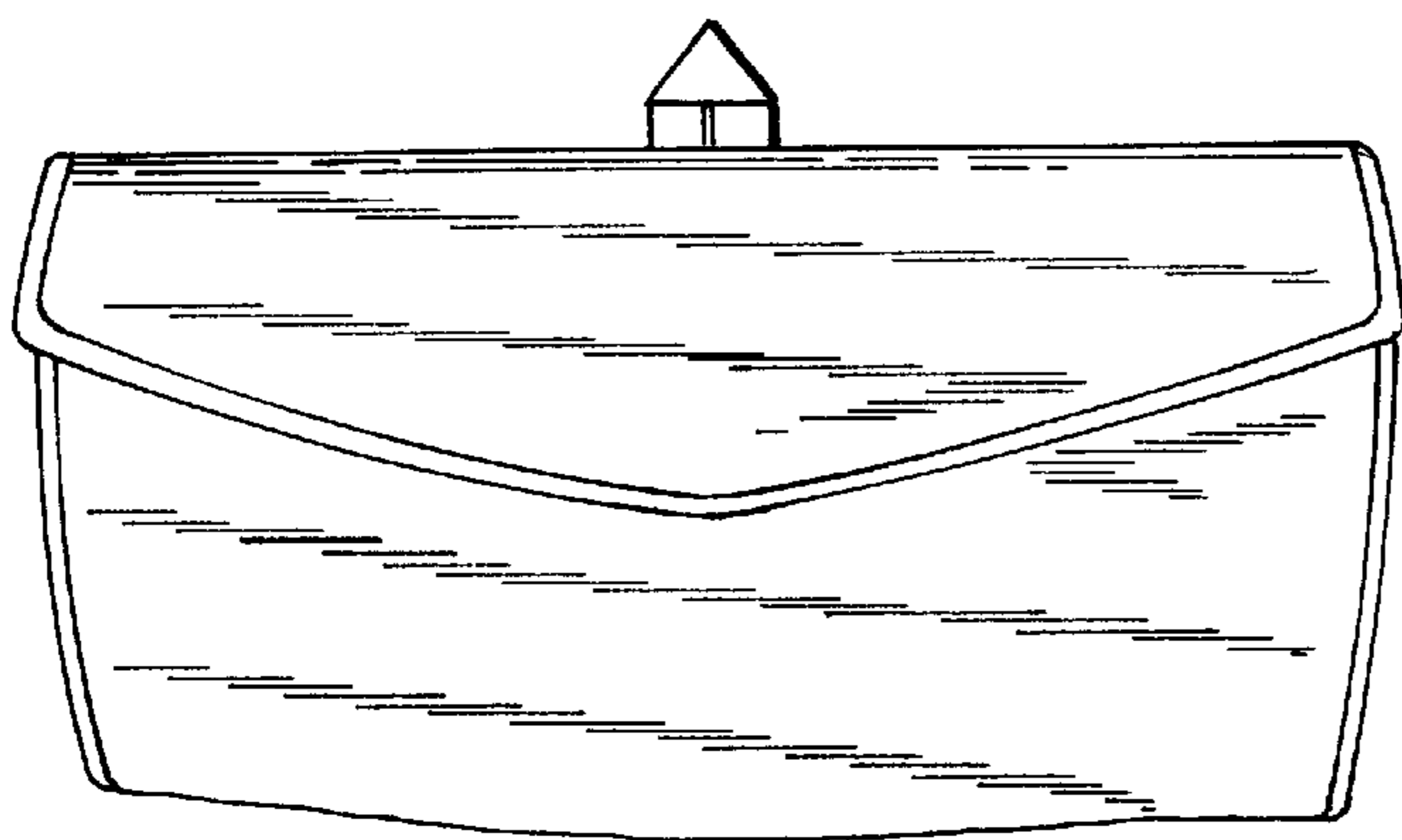


FIG. 3

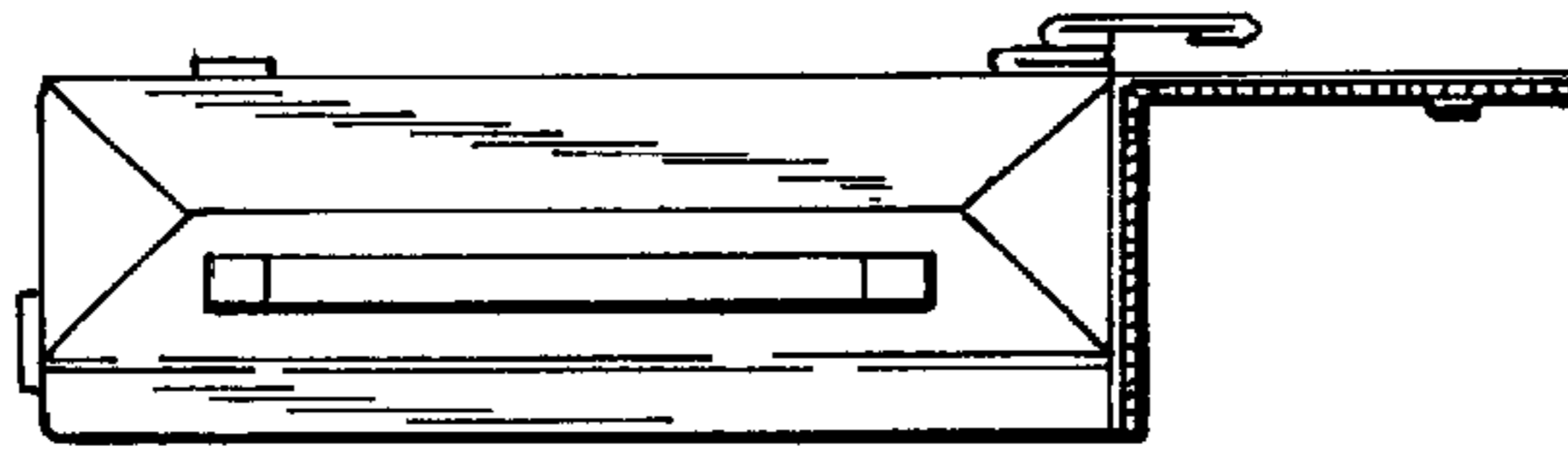


FIG. 6

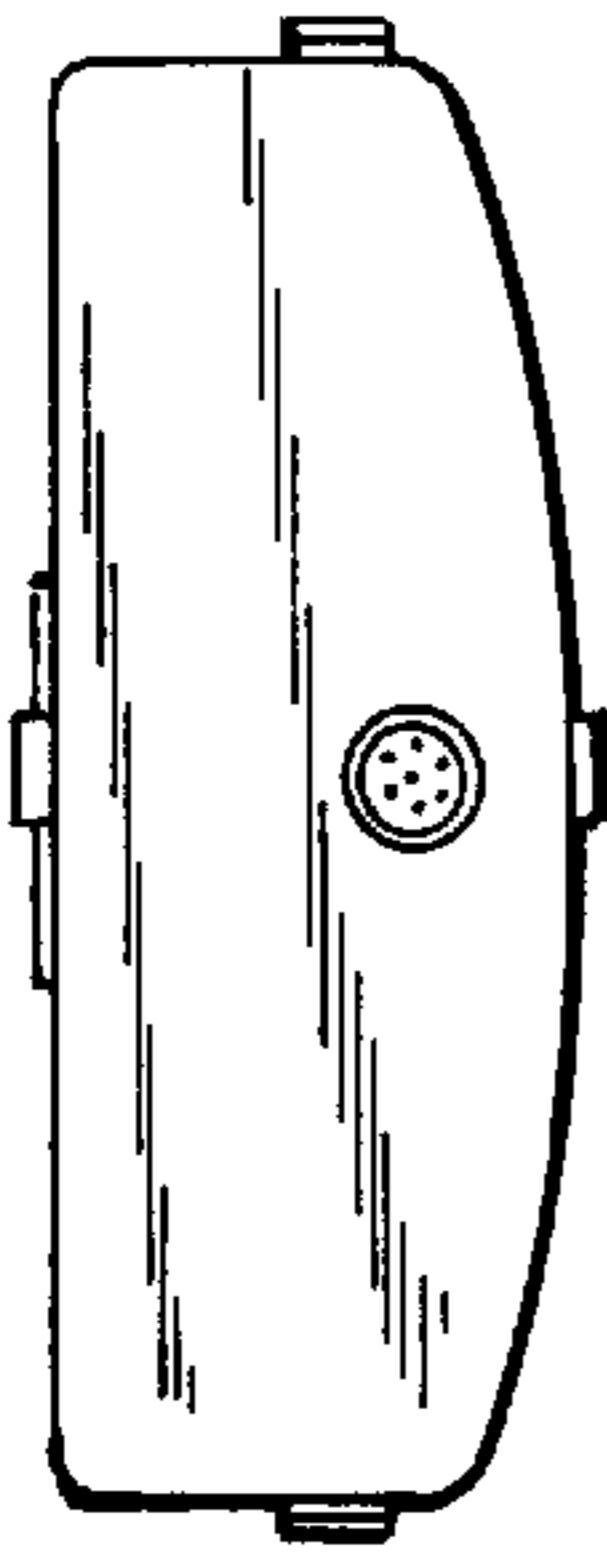


FIG. 3

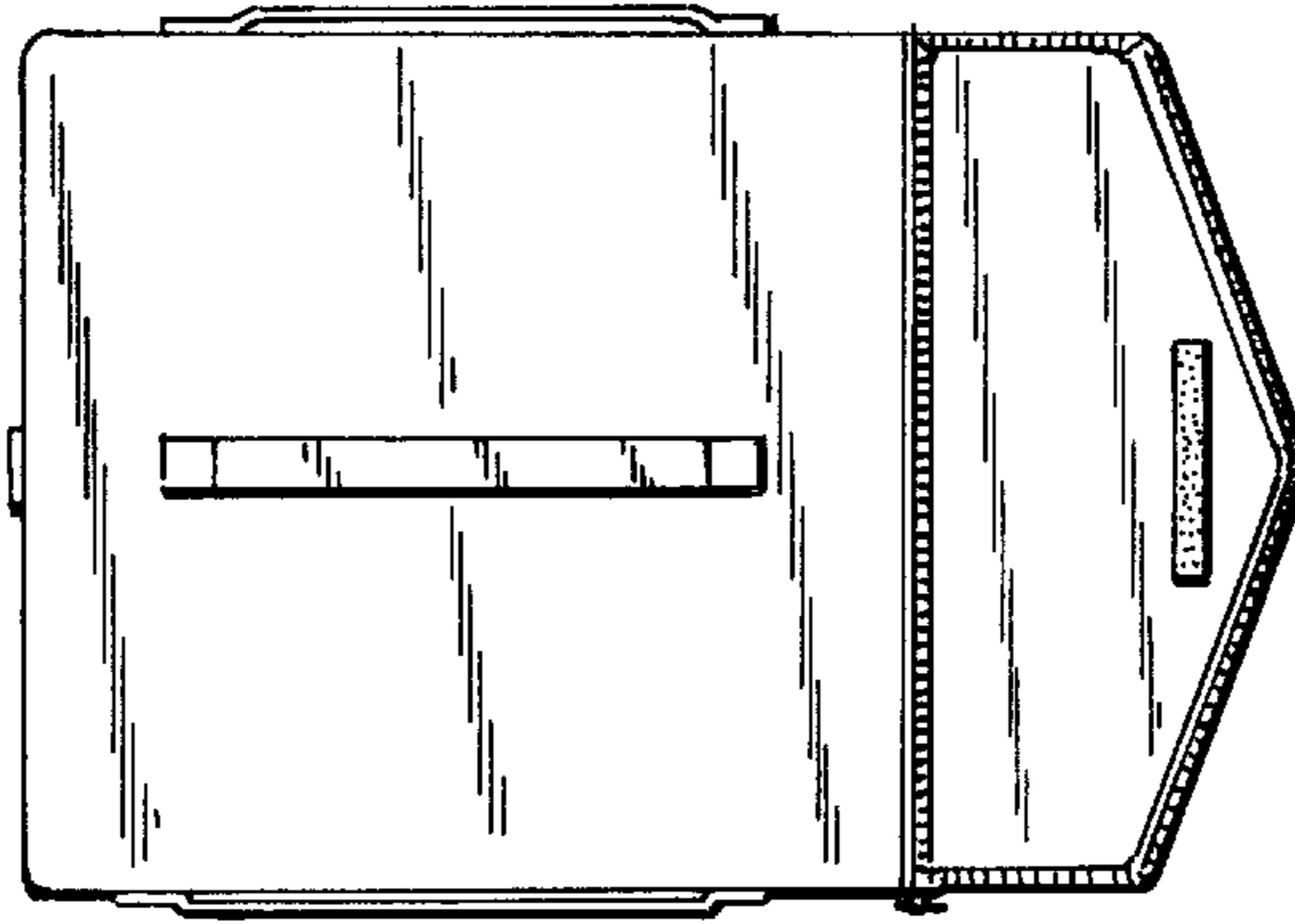


FIG. 4

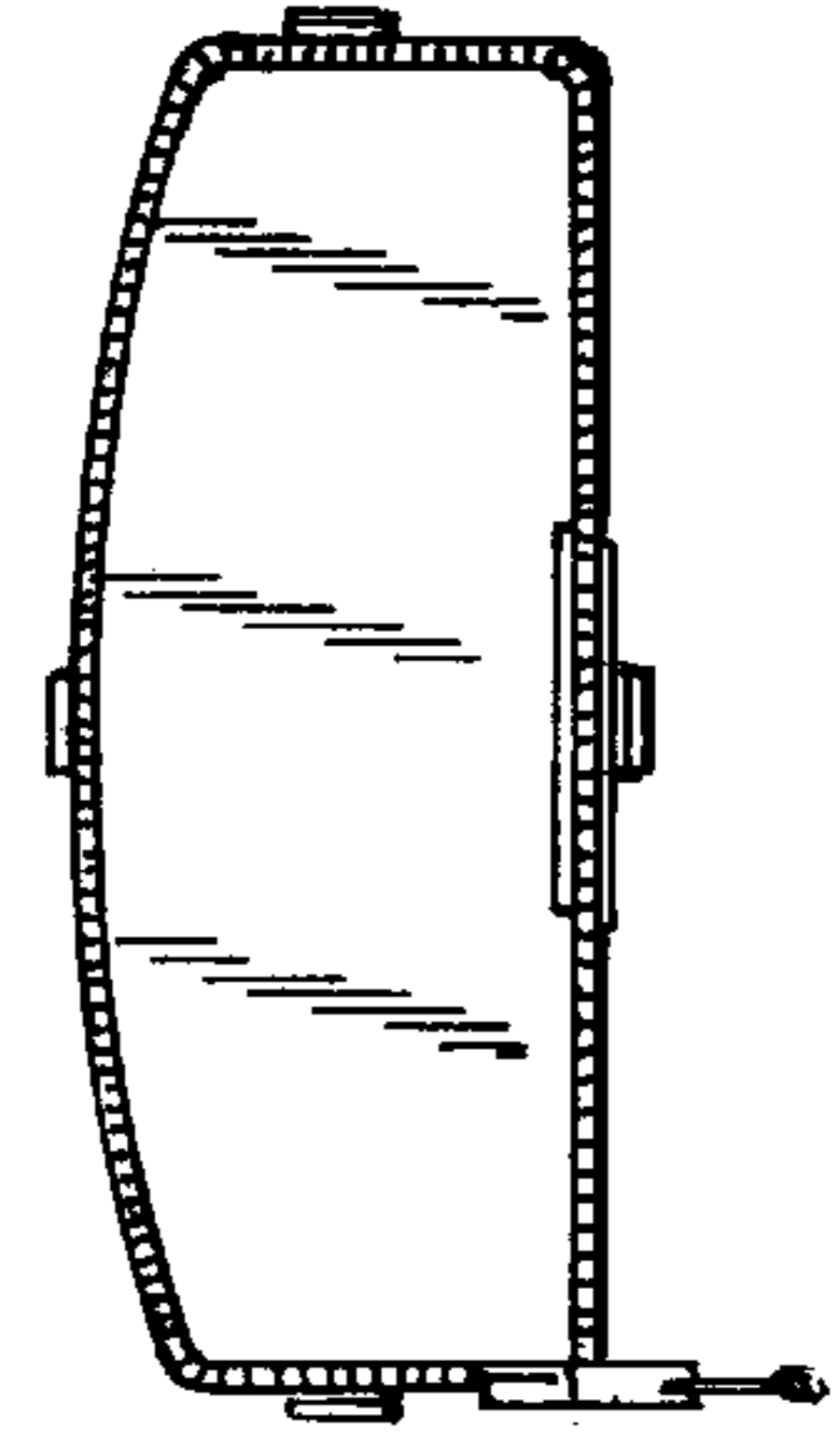


FIG. 9

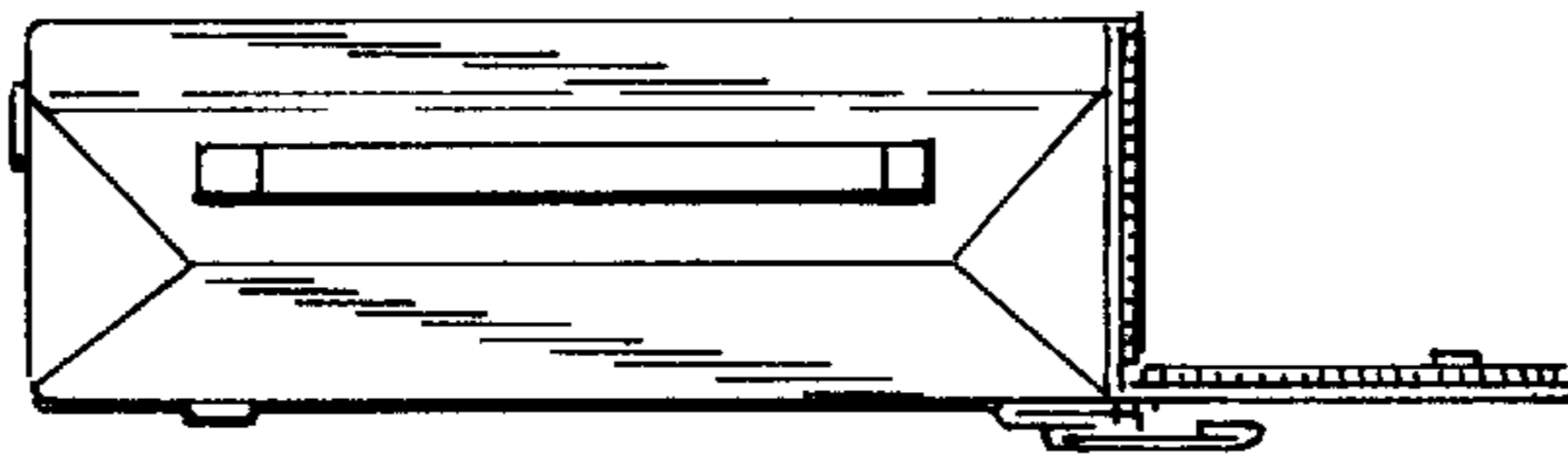


FIG. 5

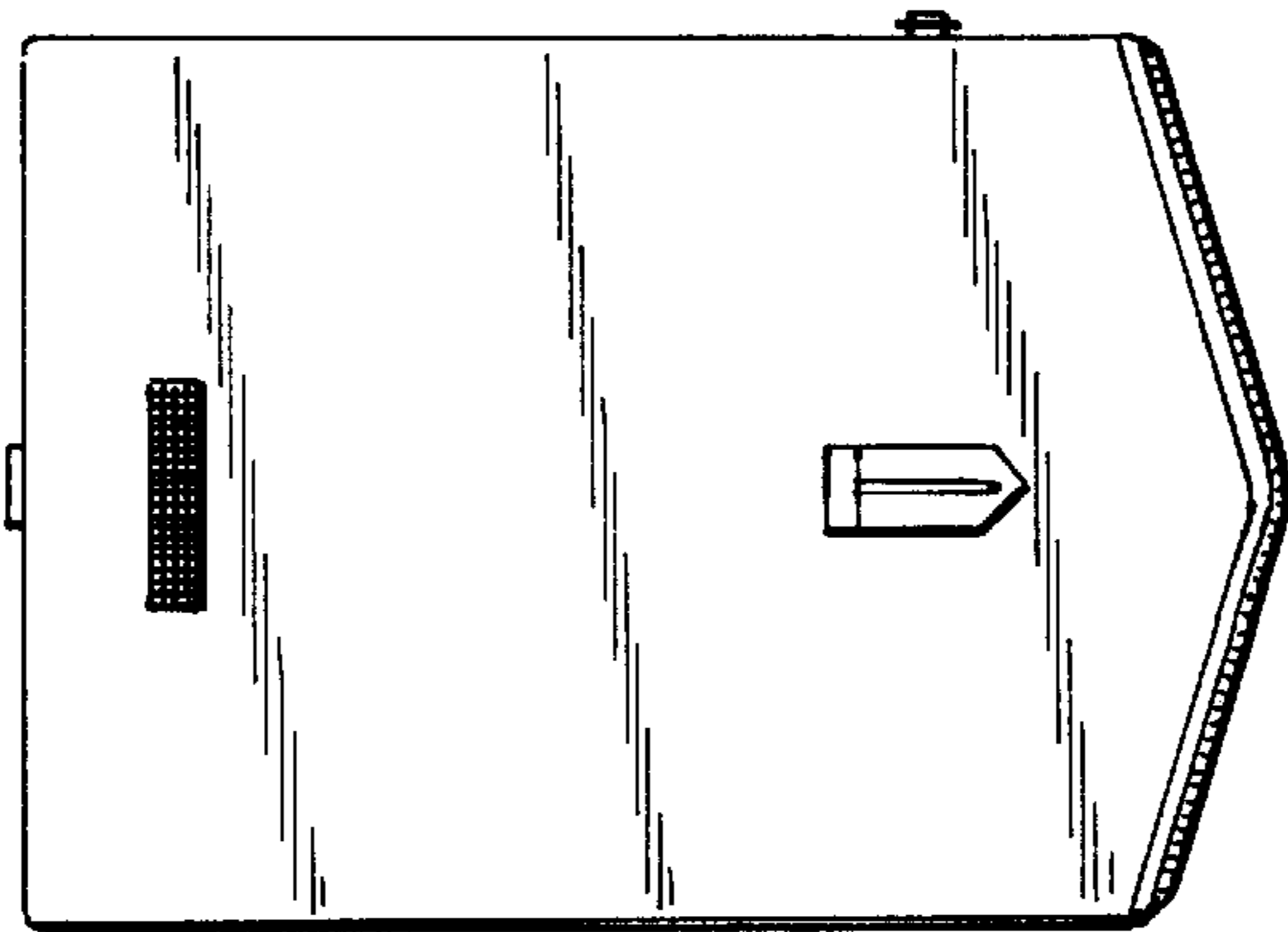


FIG. 7