



US00D430992S

United States Patent [19]
Lipson

[11] **Patent Number: Des. 430,992**

[45] **Date of Patent: ** Sep. 19, 2000**

- [54] **PILSNER GLASS AND STRAW**
- [76] Inventor: **Erik Lipson**, 1530 Locust St., #10B,
Philadelphia, Pa. 19102
- [**] Term: **14 Years**
- [21] Appl. No.: **29/115,404**
- [22] Filed: **Dec. 13, 1999**
- [51] **LOC (7) Cl.** **07-01**
- [52] **U.S. Cl.** **D7/507; D7/537; D7/529**
- [58] **Field of Search** D7/510, 511, 507,
D7/509, 523, 524, 525, 528, 529, 531,
537, 532, 513, 300.2; 215/6, 388; 229/400;
356/216; 239/33; 206/515

D. 419,379	1/2000	Madden	D7/515
2,750,768	6/1956	Laurent	215/6
2,885,134	5/1959	Cohen	229/400
5,739,903	4/1998	Kepner	356/216
5,806,765	9/1998	Weinstein	239/33
5,813,604	9/1998	Frasseti	239/33

Primary Examiner—M. N. Pandozzi
Attorney, Agent, or Firm—Gifford, Krass, Groh, Sprinkle,
Anderson & Citkowski, P.C.

[57] **CLAIM**

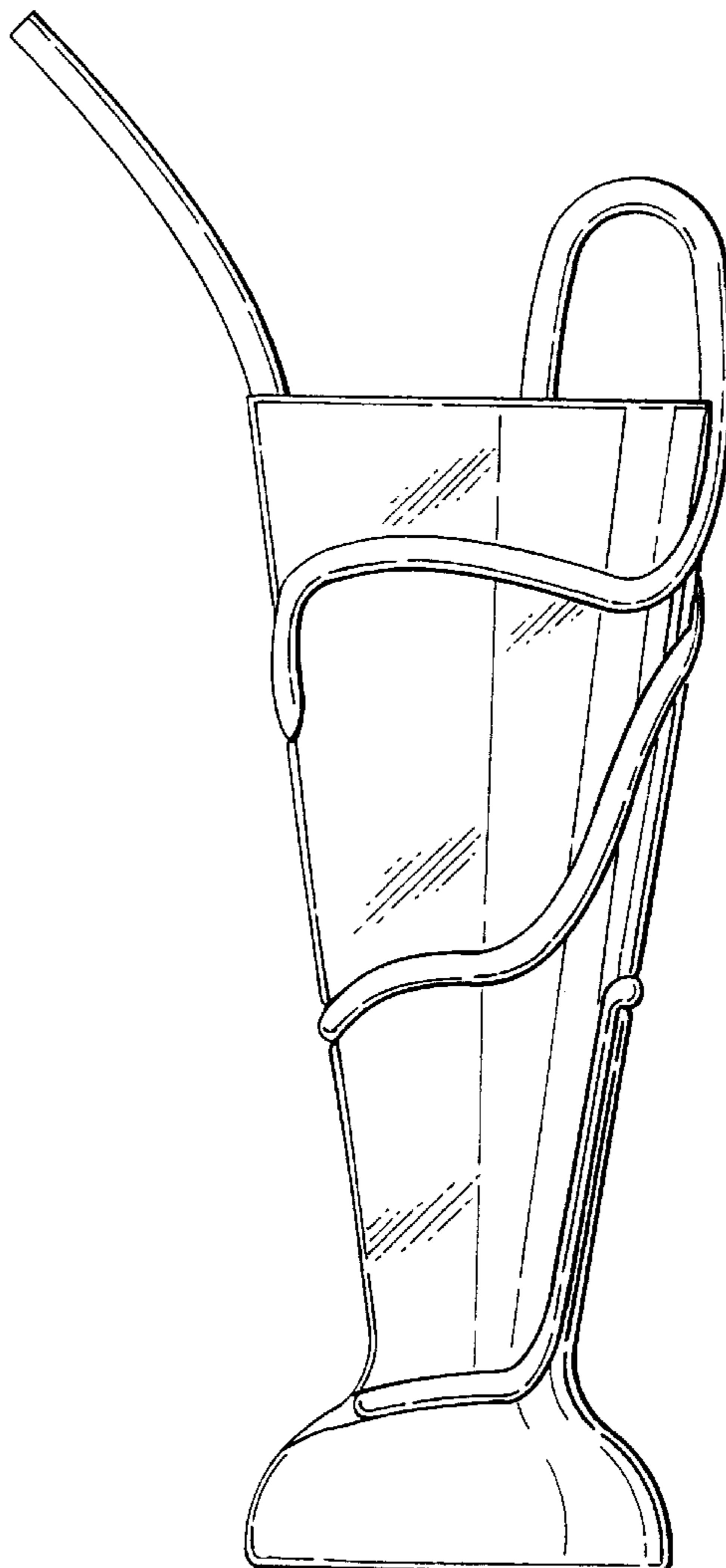
I claim the ornamental design for a pilsner glass and straw,
as shown and described.

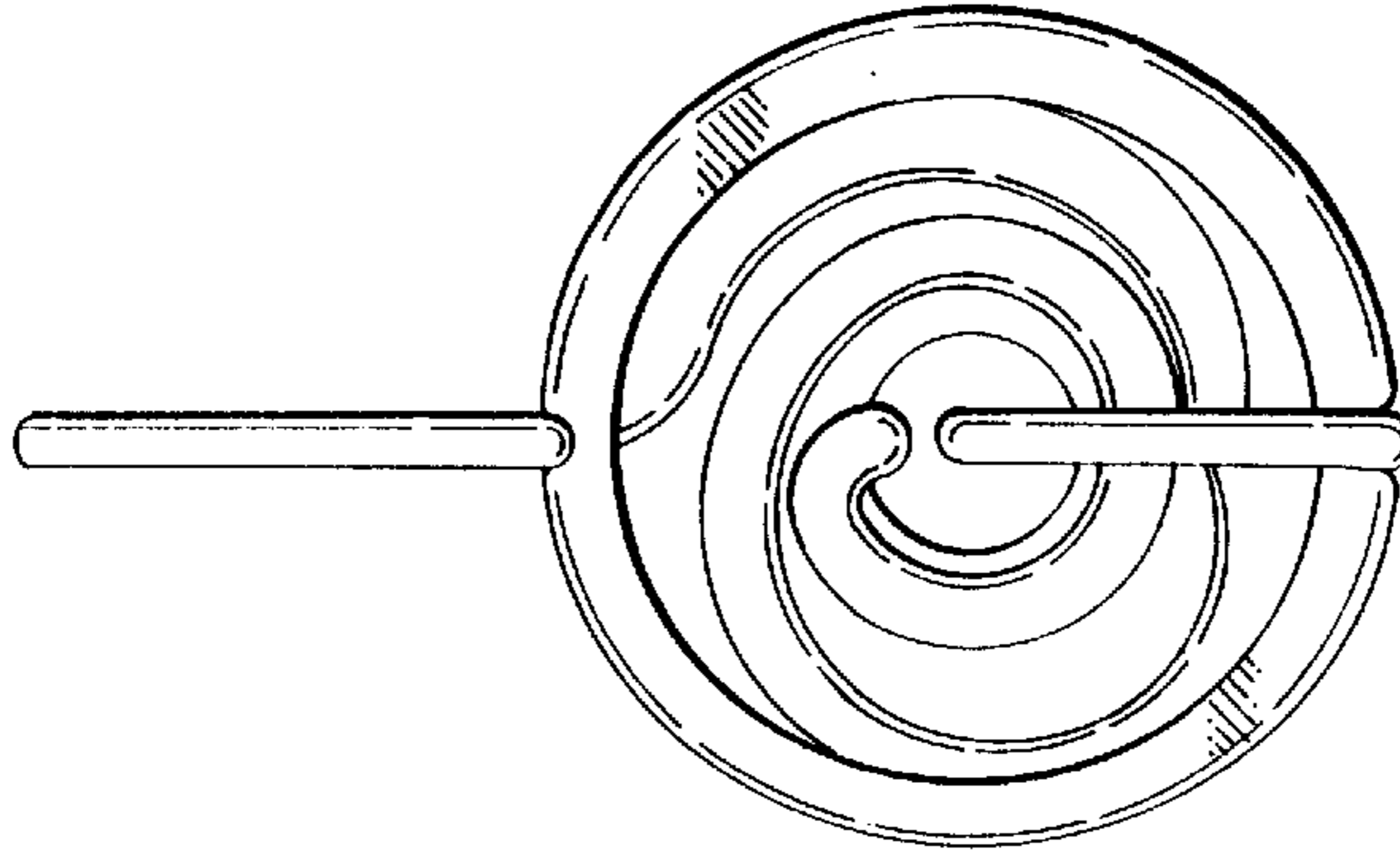
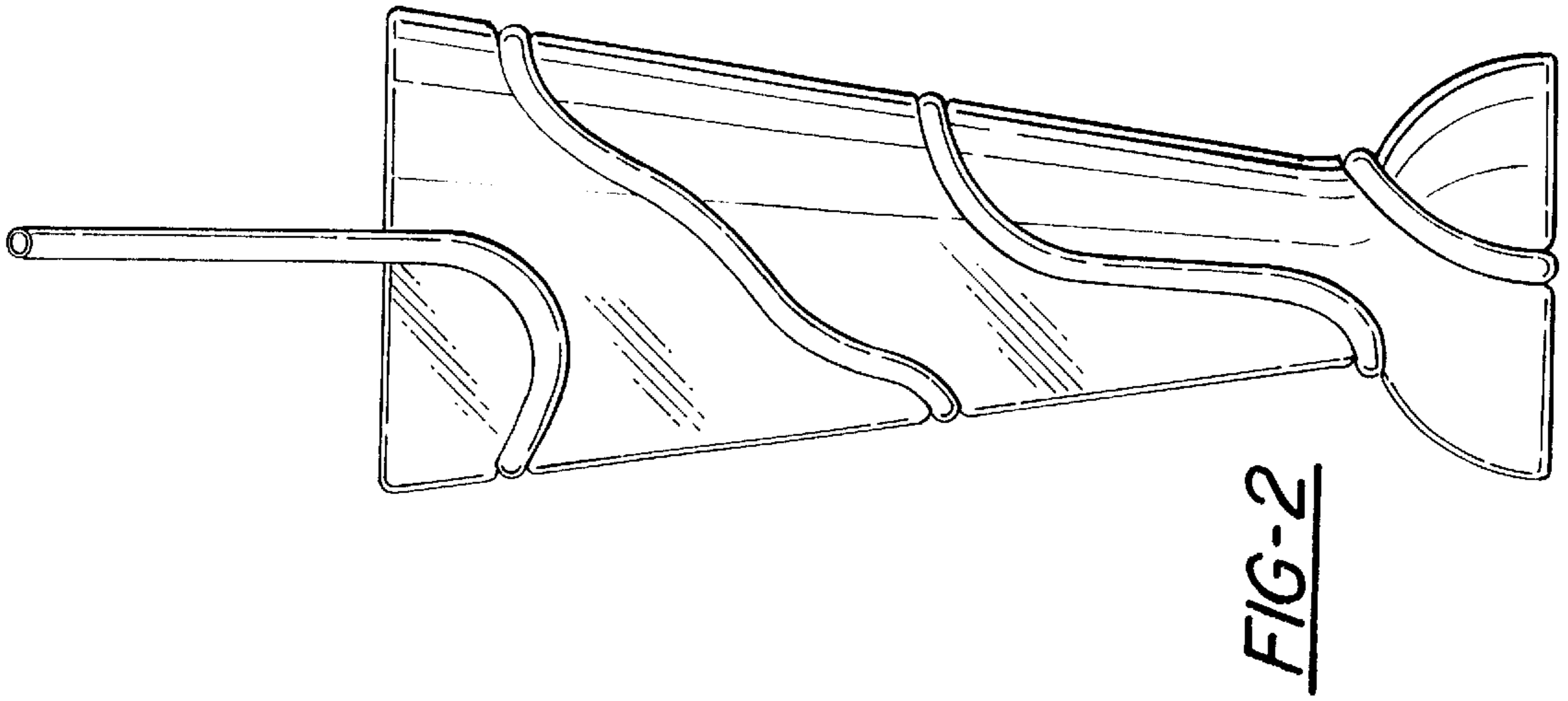
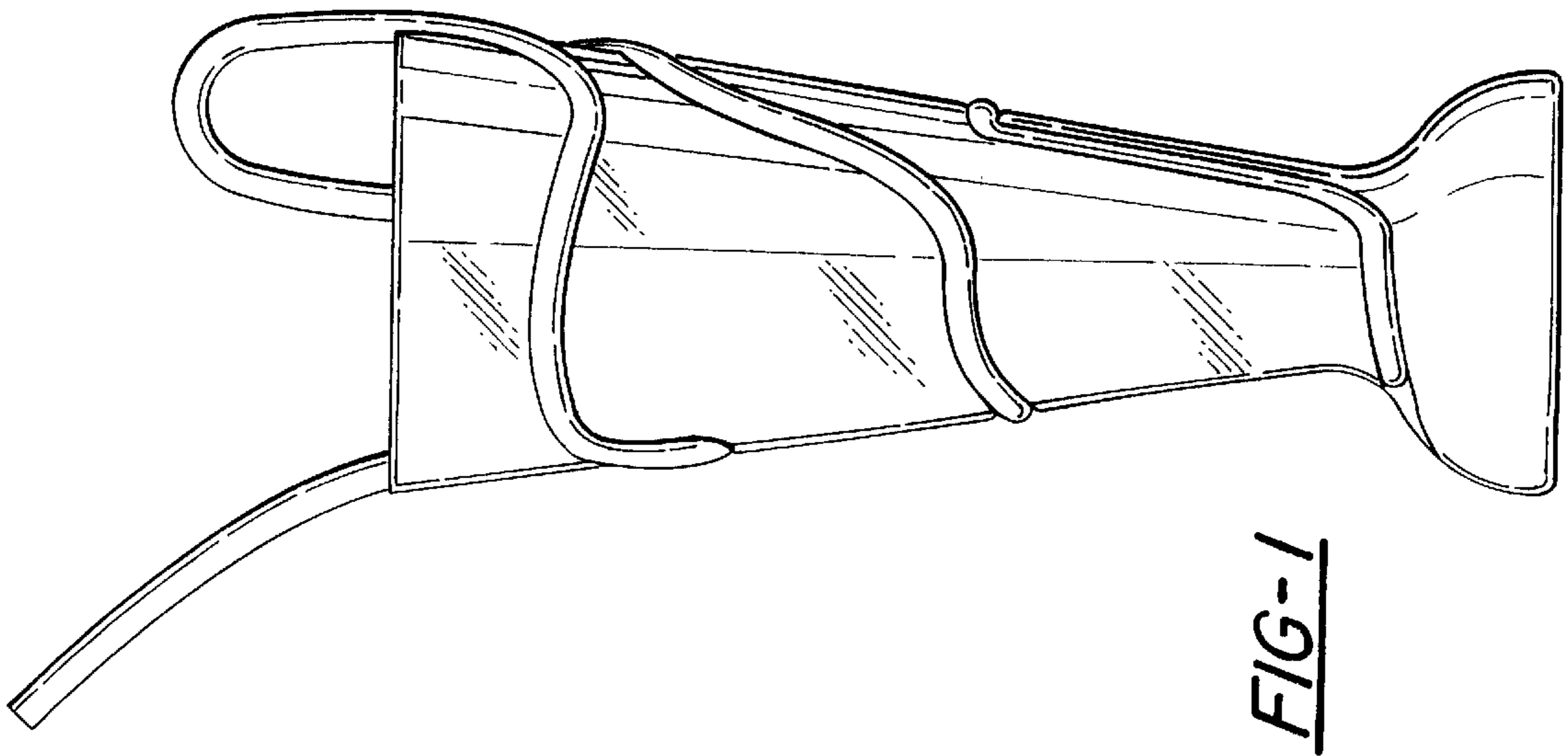
DESCRIPTION

FIG. 1 is a right side elevational view showing my new
design;
FIG. 2 is a front elevational view thereof;
FIG. 3 is a top plan view thereof;
FIG. 4 is a left side elevational view thereof;
FIG. 5 is a rear elevational view thereof; and,
FIG. 6 is a bottom plan view thereof.

- [56] **References Cited**
- U.S. PATENT DOCUMENTS
- D. 144,478 4/1946 Burger D7/527
- D. 248,004 5/1978 Simpson D7/524
- D. 279,250 6/1985 Holloway D7/507
- D. 330,993 11/1992 Robbins, III D7/510
- D. 360,558 7/1995 Appleman D7/507

1 Claim, 2 Drawing Sheets





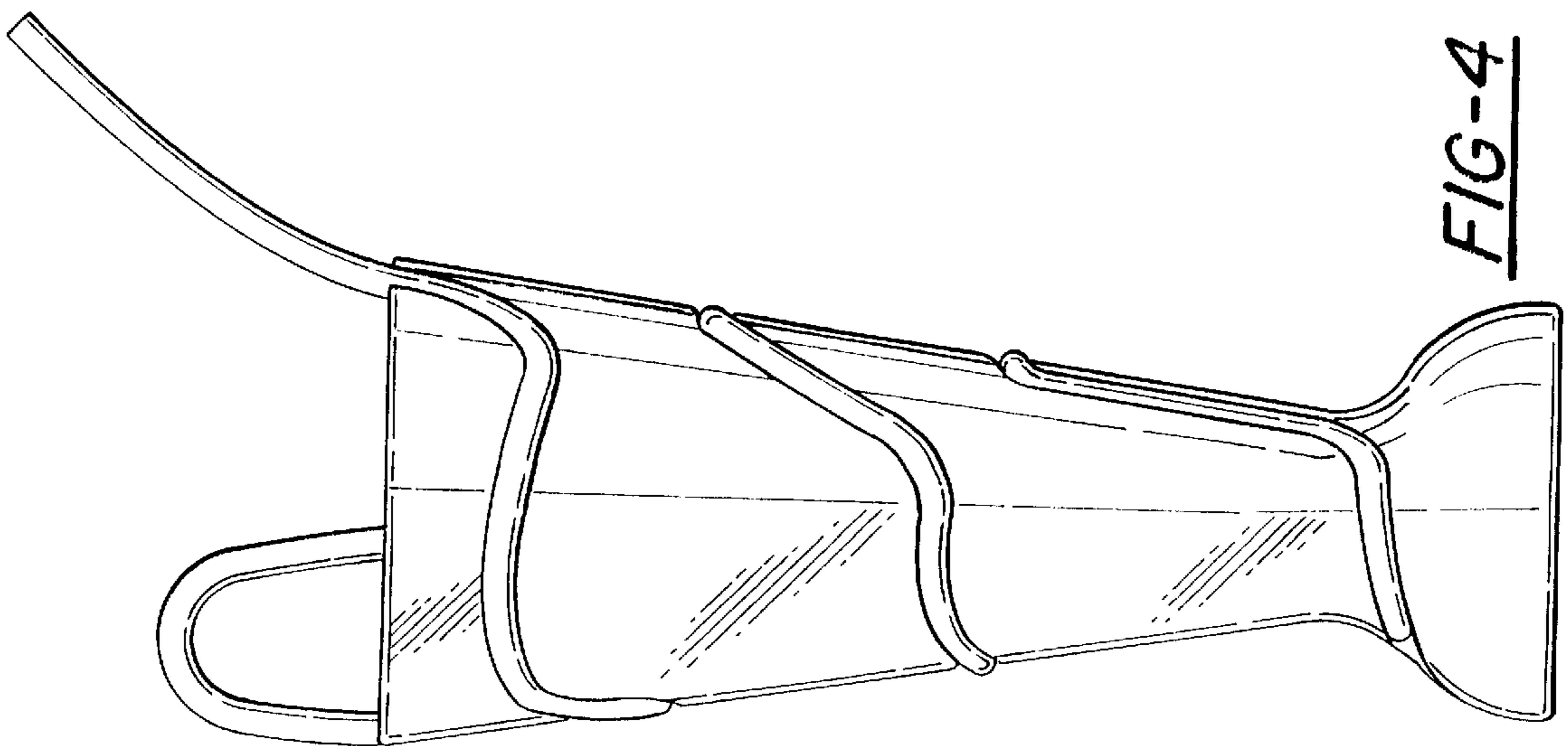


FIG-4

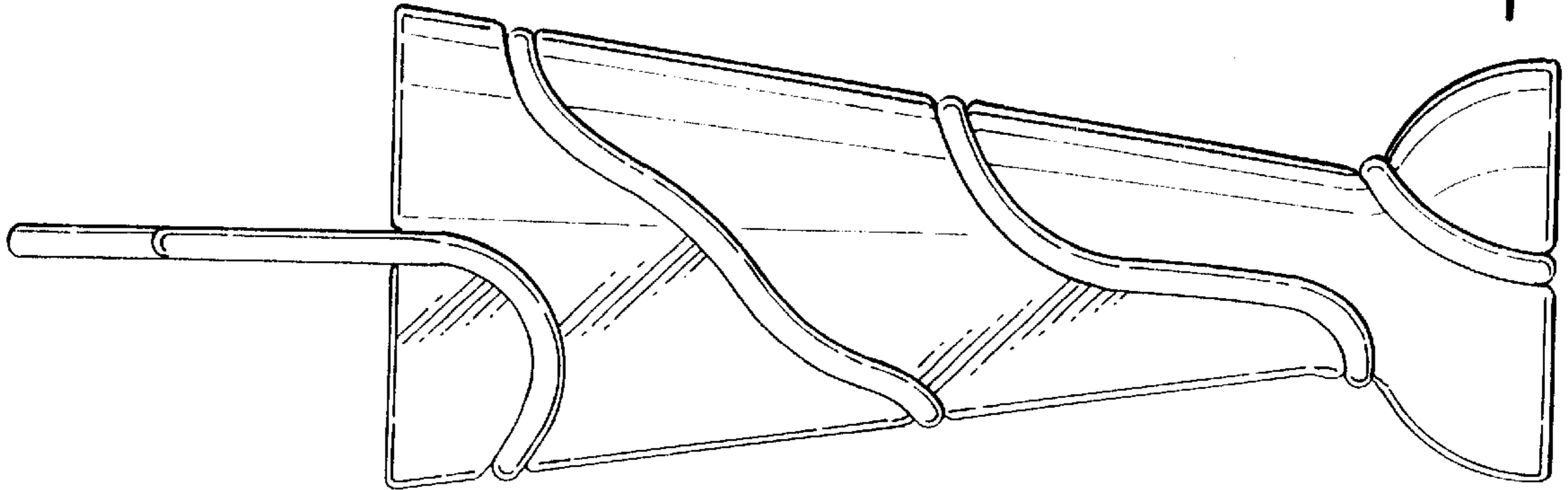


FIG-5

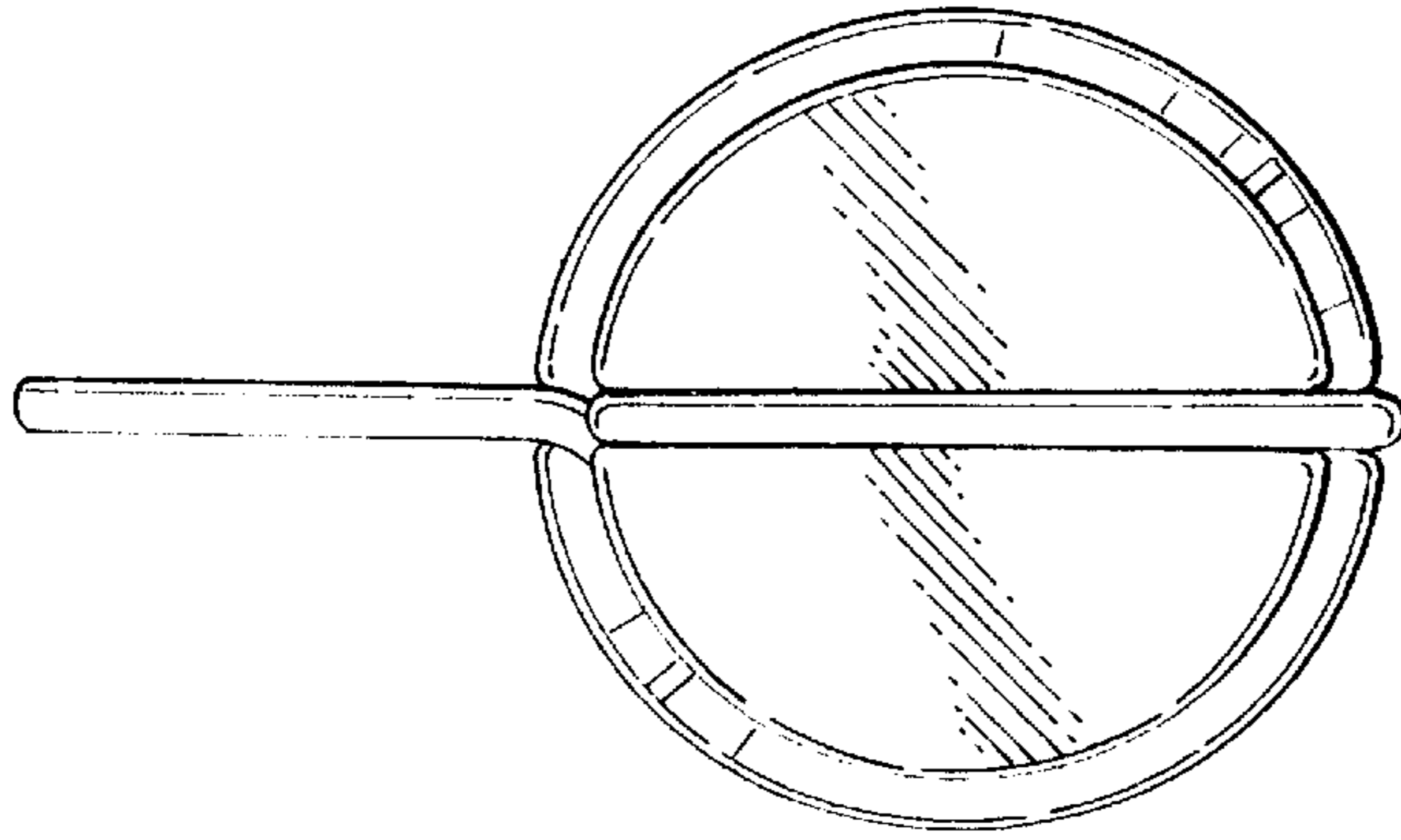


FIG-6