



US00D430991S

# United States Patent [19] Cragg

[11] **Patent Number: Des. 430,991**

[45] **Date of Patent: \*\* Sep. 19, 2000**

[54] **BARBECUE GRILL SHAPED LIKE A HOCKEY PUCK**

D. 385,146 10/1997 Fielding et al. .... D7/332  
D. 396,599 8/1998 Smith, Jr. .... D7/332

[76] Inventor: **Brandon Cragg**, 119 Merriam Ave.,  
Newton, N.J. 07860

*Primary Examiner*—Ruth McInroy  
*Attorney, Agent, or Firm*—Robert M. Downey, P.A.

[\*\*] Term: **14 Years**

[57] **CLAIM**

[21] Appl. No.: **29/111,955**

The ornamental design for a barbecue grill shaped like a hockey puck, as shown and described.

[22] Filed: **Oct. 7, 1999**

**DESCRIPTION**

[51] **LOC (7) Cl.** ..... **07-02**

[52] **U.S. Cl.** ..... **D7/402; D7/334**

[58] **Field of Search** ..... D7/331-337, 402-403;  
26/25 R, 25 A, 25 AA, 9 R, 29-30, 39 R,  
41 R; 99/419, 421 R; D21/707, 710, 713,  
714, 716, 498, 548-550, 453

FIG. 1 is a front perspective view of a barbecue grill shaped like a hockey puck showing my new design;  
FIG. 2 is a rear elevational view thereof;  
FIG. 3 is a front elevational view thereof;  
FIG. 4 is a left side elevational view thereof, the right side elevational view being identical thereto;  
FIG. 5 is a bottom plan view thereof; and,  
FIG. 6 is a top plan view thereof;

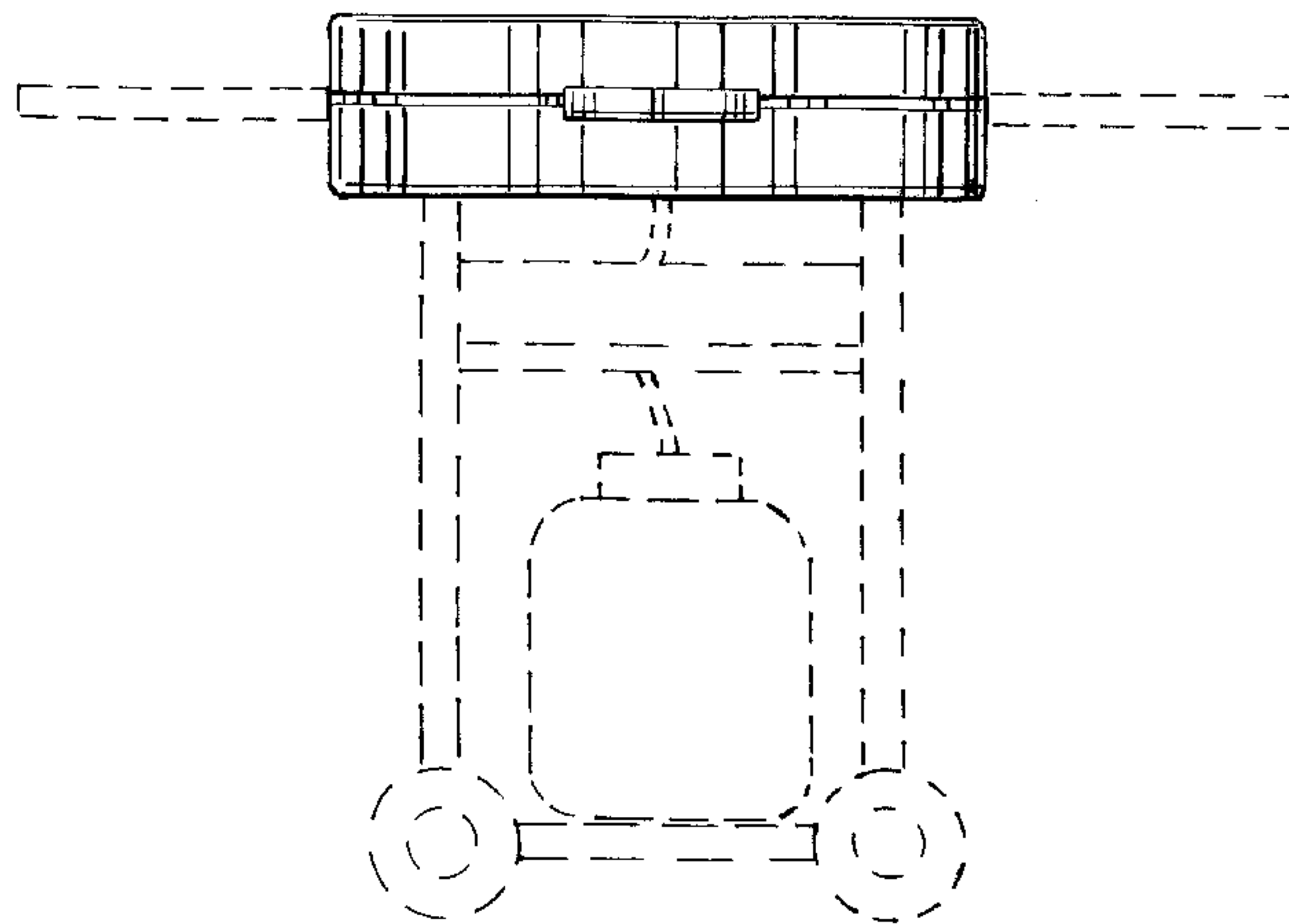
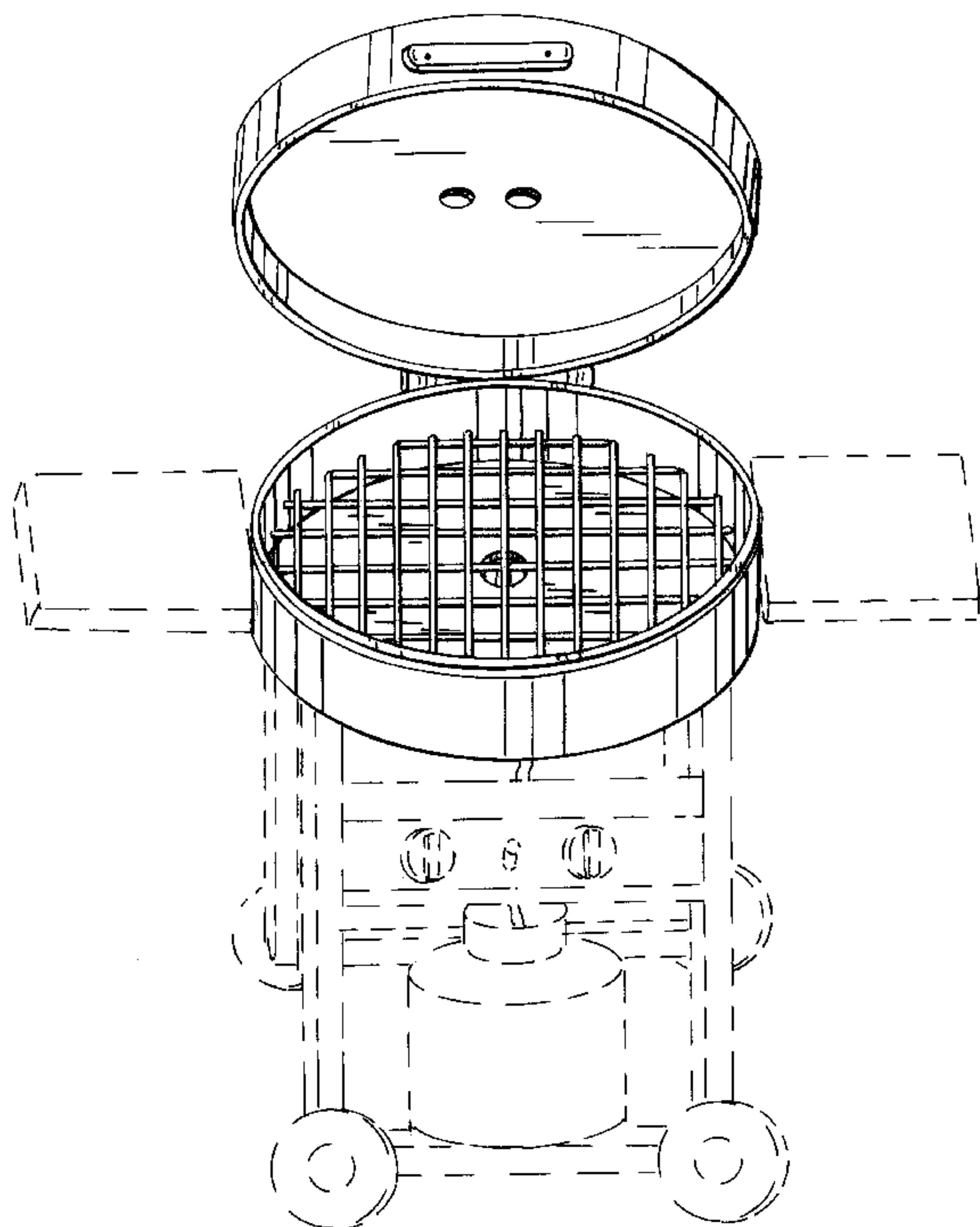
[56] **References Cited**

The broken lines showing the barbecue cart including the console panel, the side tables, the gas tank, and the logos are for illustrative purposes only and form no part of the claimed design.

### U.S. PATENT DOCUMENTS

D. 259,271 5/1981 Kushnir ..... D21/710  
D. 314,882 2/1991 Bethel, Jr. .... D7/334  
D. 323,369 1/1992 Masi, Jr. et al. .... D21/710  
D. 373,282 9/1996 Cordero ..... D7/334  
D. 374,897 10/1996 Whisman ..... D21/710

**1 Claim, 6 Drawing Sheets**



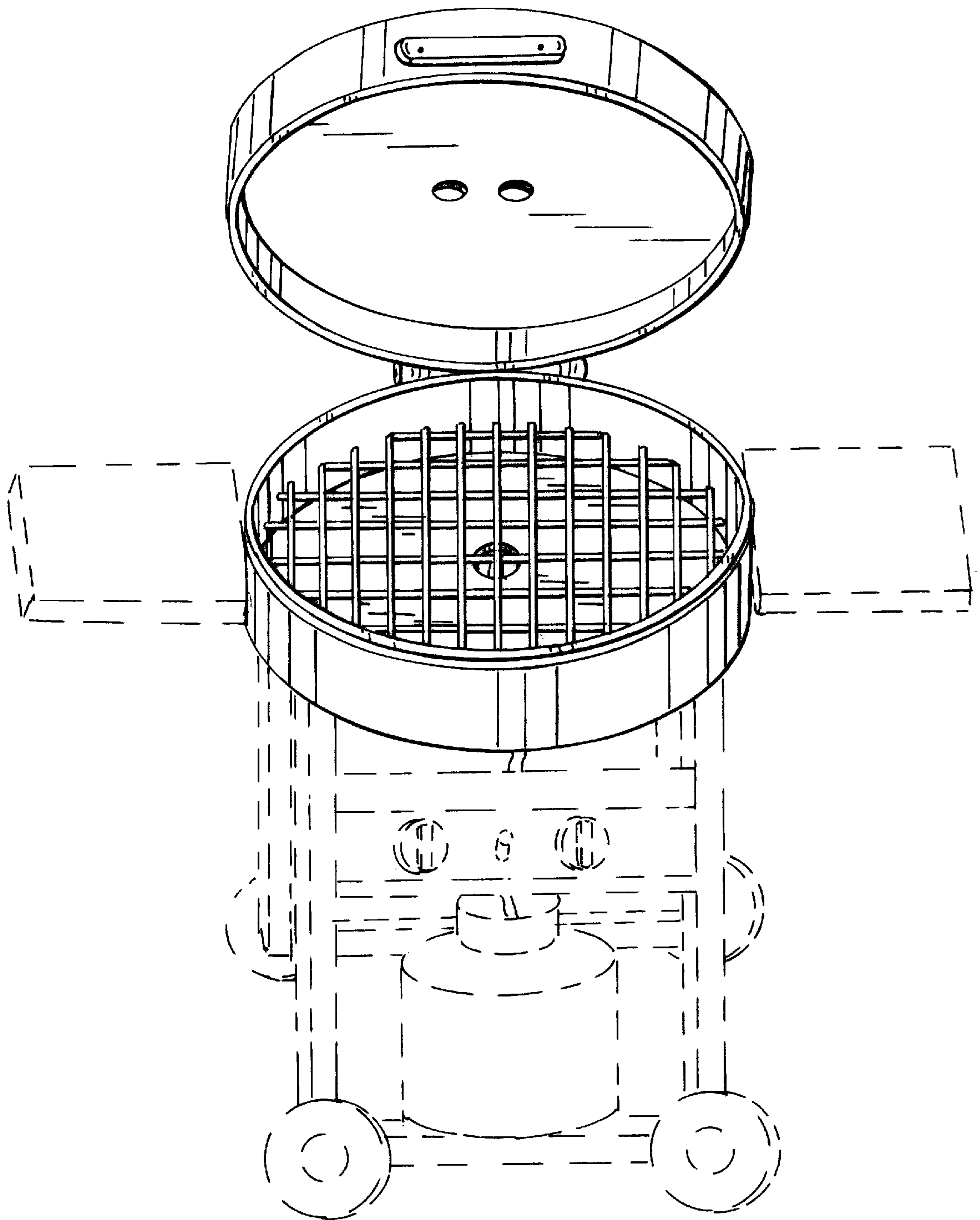


FIG. 1

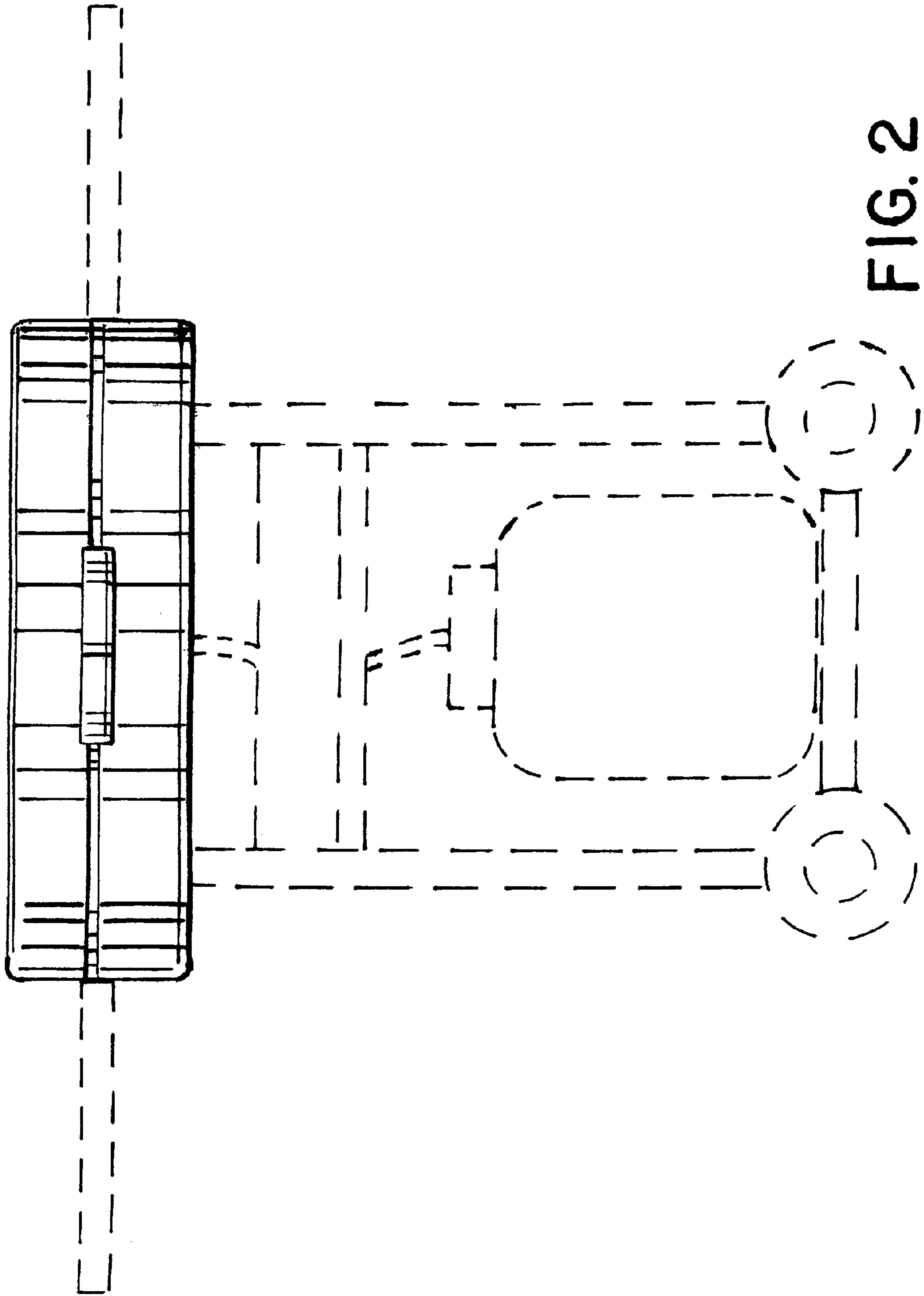


FIG. 2

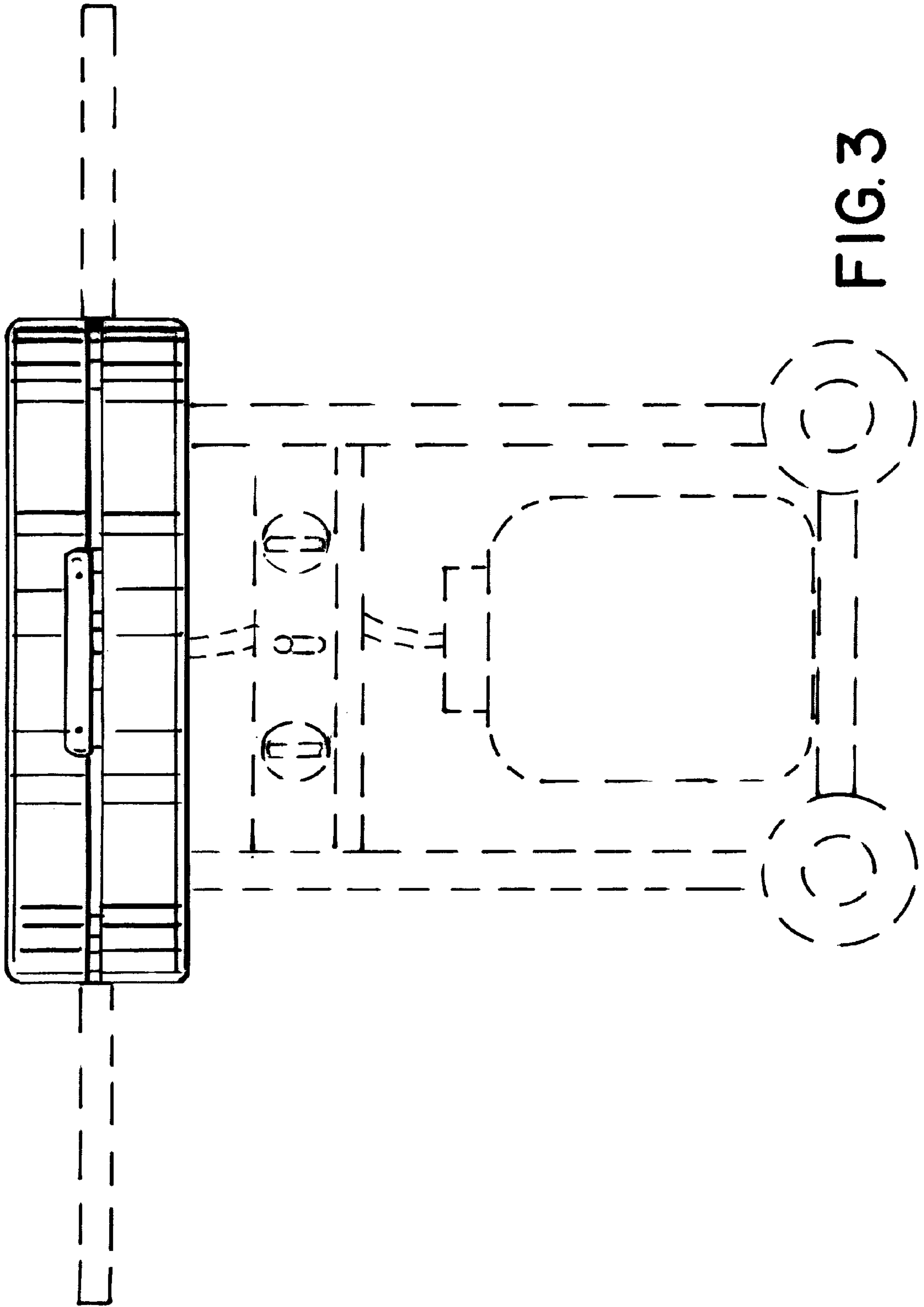


FIG. 3

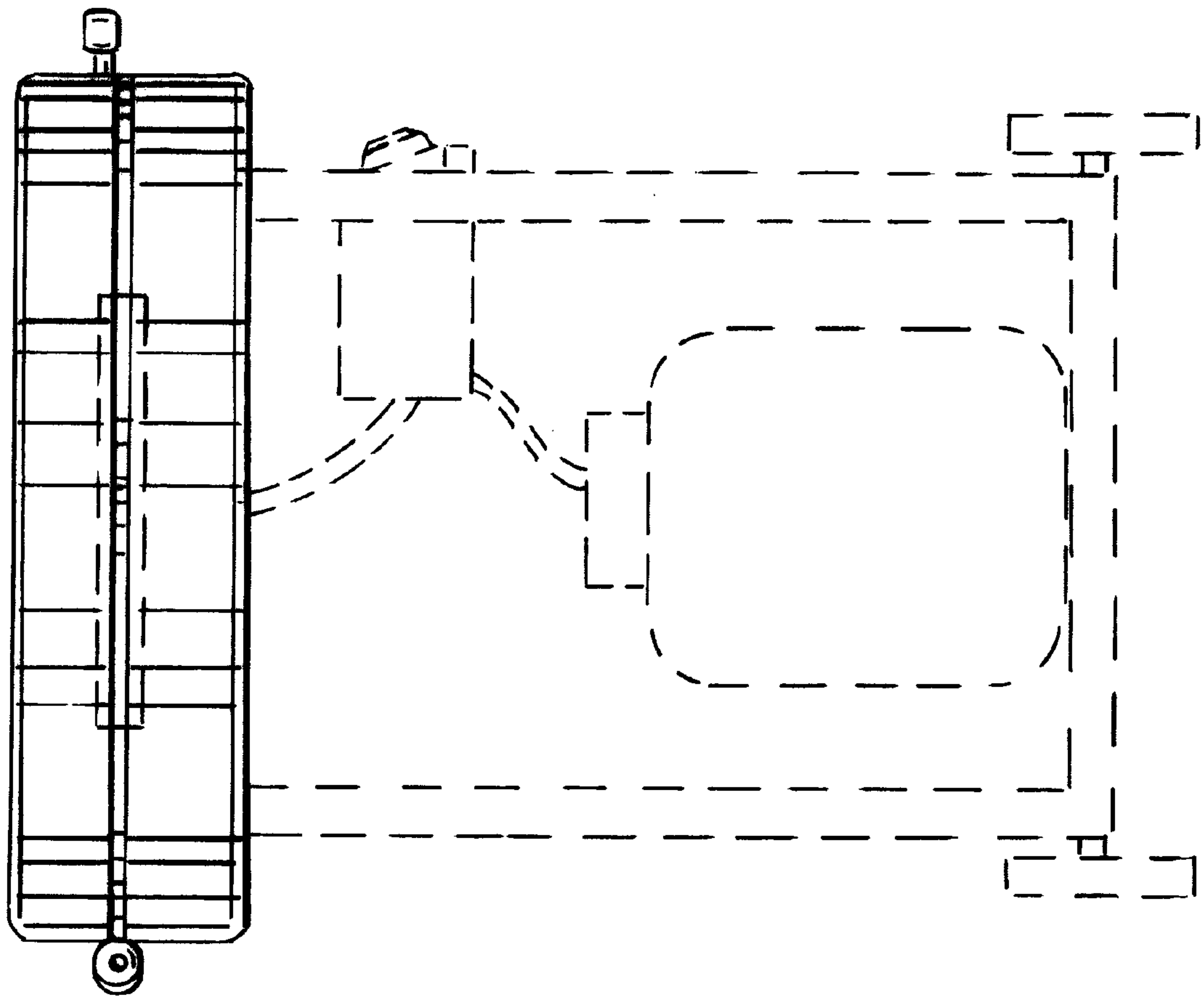


FIG. 4

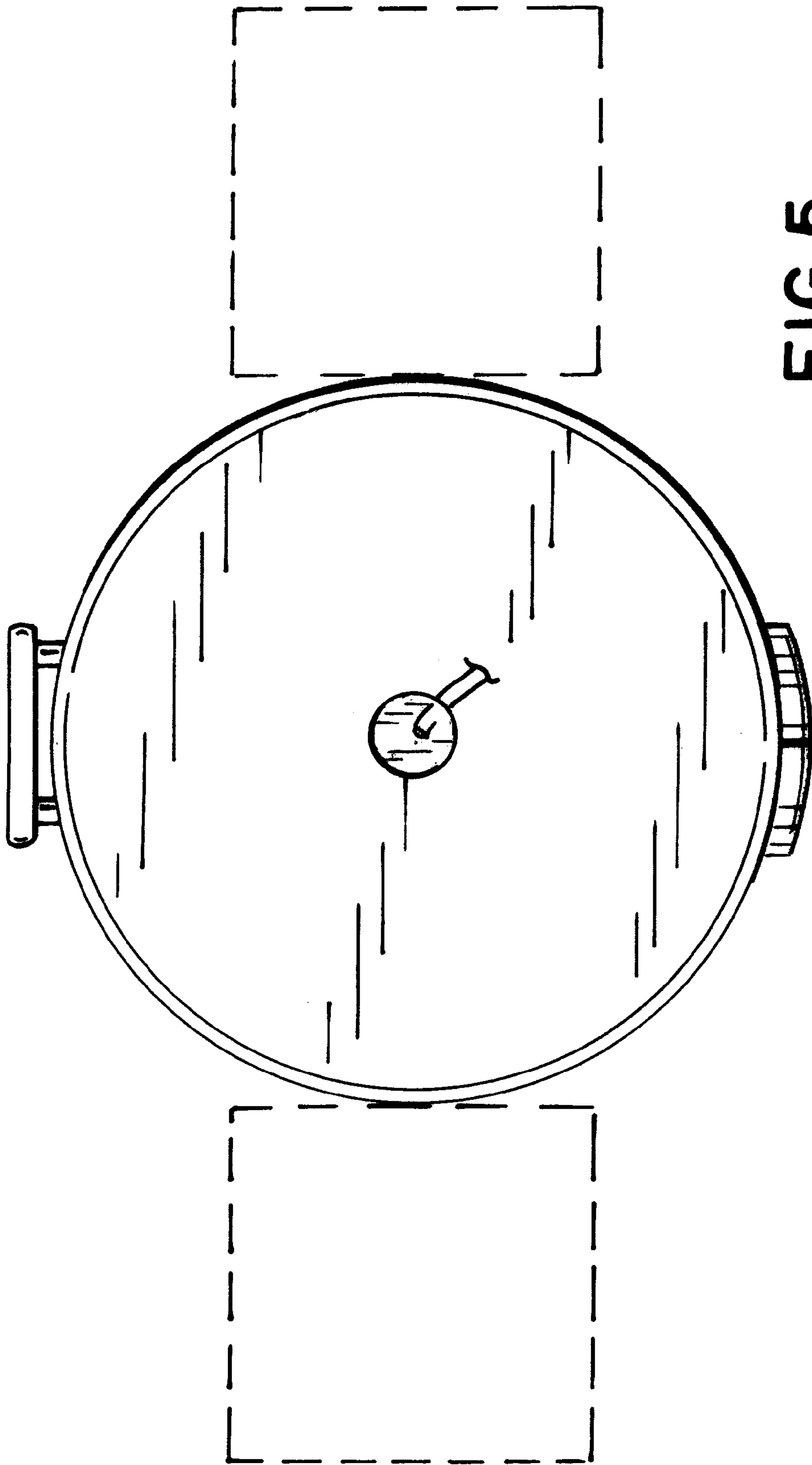


FIG. 5

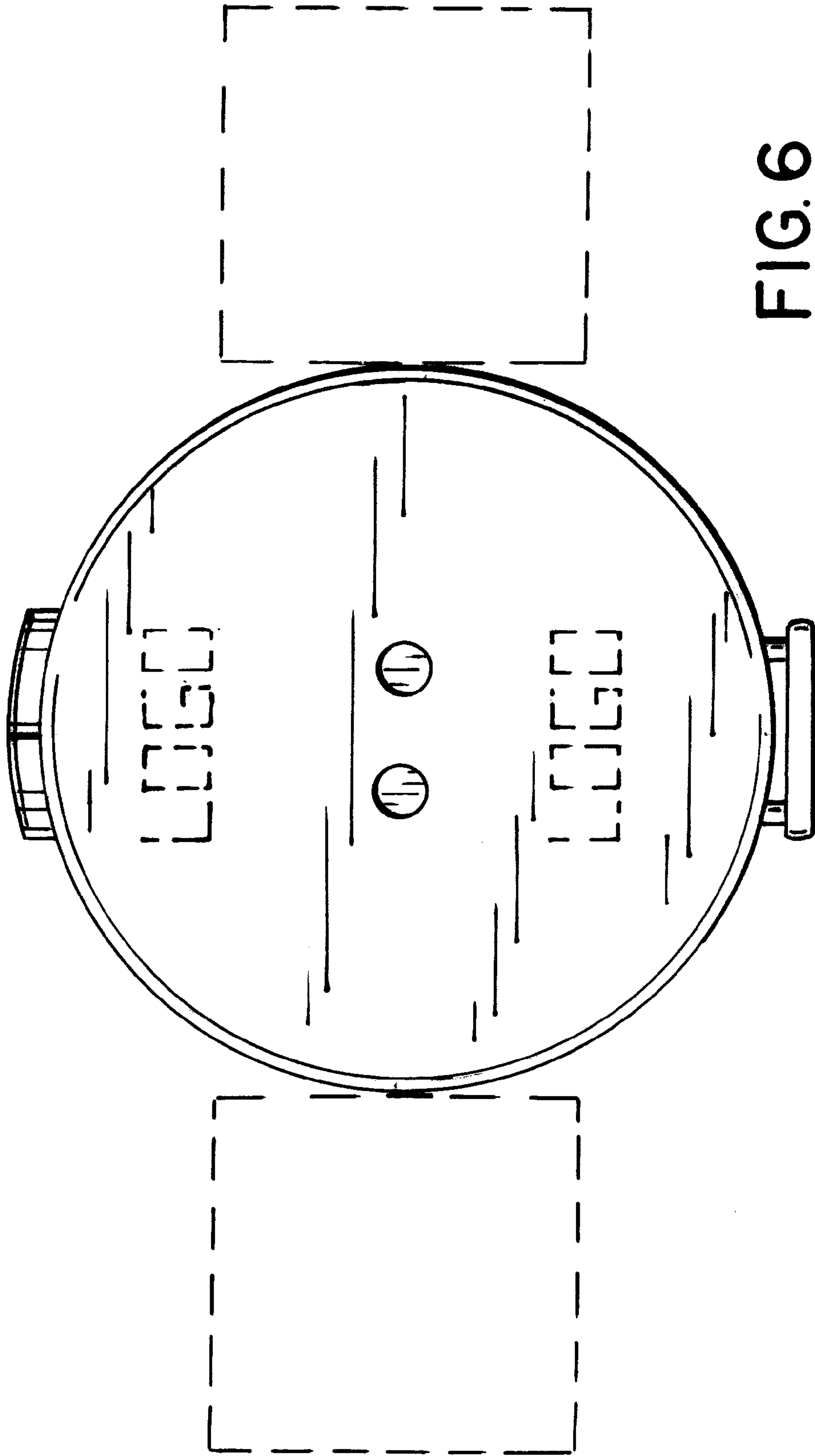


FIG. 6